



US00D780065S

(12) **United States Design Patent** (10) **Patent No.:** **US D780,065 S**
Suzuki et al. (45) **Date of Patent:** **** Feb. 28, 2017**

(54) **AUTOMOBILE**

(71) Applicant: **HONDA MOTOR CO., LTD.**, Tokyo (JP)

(72) Inventors: **Takahiro Suzuki**, Saitama (JP);
Haihua Wu, Guangdong (CN); **Sung Jun Bae**, Saitama (JP)

(73) Assignee: **HONDA MOTOR CO., LTD.**, Tokyo (JP)

(**) Term: **15 Years**

(21) Appl. No.: **29/539,743**

(22) Filed: **Sep. 17, 2015**

(30) **Foreign Application Priority Data**

Mar. 27, 2015 (JP) 2015-006637

(51) **LOC (10) Cl.** **12-08**

(52) **U.S. Cl.**
USPC **D12/91**

(58) **Field of Classification Search**
USPC D12/86, 90-92, 88; D21/421, 433, 434;
296/181.1, 181.5
CPC B62D 35/00; B62D 25/00; B62D 25/06;
B62D 33/00

See application file for complete search history.

(56) **References Cited**

U.S. PATENT DOCUMENTS

D724,493 S *	3/2015	Kobayashi	D12/91
D728,422 S *	5/2015	Minami	D12/91
D742,281 S *	11/2015	Ishii	D12/91
D744,377 S *	12/2015	Minami	D12/91
D756,848 S *	5/2016	Toriyama	D12/91
D759,540 S *	6/2016	Davidson	D12/91
D761,693 S *	7/2016	Lian	D12/91
D765,545 S *	9/2016	Oh	D12/91
D767,447 S *	9/2016	Fahr-Becker	D12/91

* cited by examiner

Primary Examiner — Melody N Brown

(74) *Attorney, Agent, or Firm* — Westerman, Hattori,
Daniels & Adrian, LLP

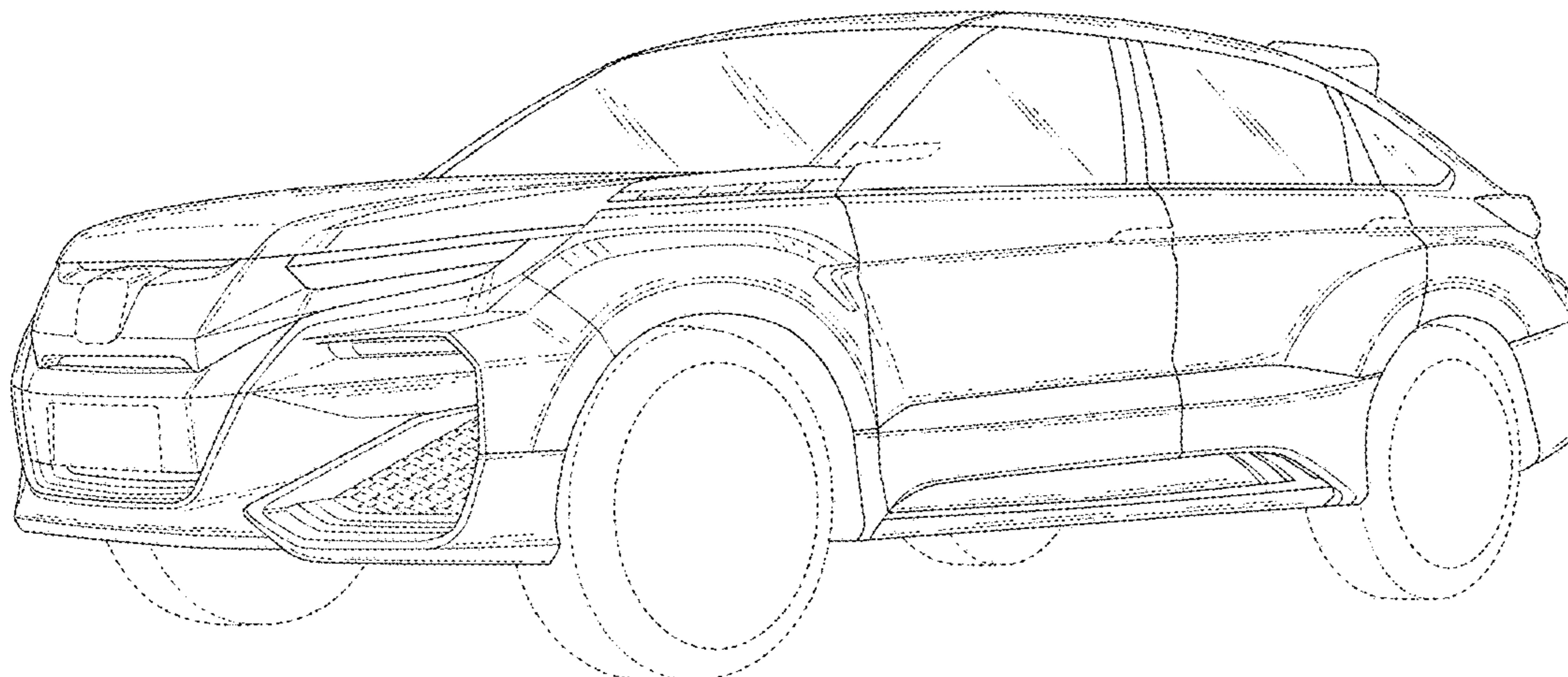
(57) **CLAIM**

The ornamental design for an automobile, as shown and described.

DESCRIPTION

FIG. 1 is a front perspective view of an automobile;
FIG. 2 is a rear perspective view of the automobile;
FIG. 3 is a right side view of the automobile;
FIG. 4 is a front view of the automobile;
FIG. 5 is a rear view of the automobile; and,
FIG. 6 is a top plan view of the automobile.
In the drawings, the broken lines form no part of the claimed design.

1 Claim, 6 Drawing Sheets



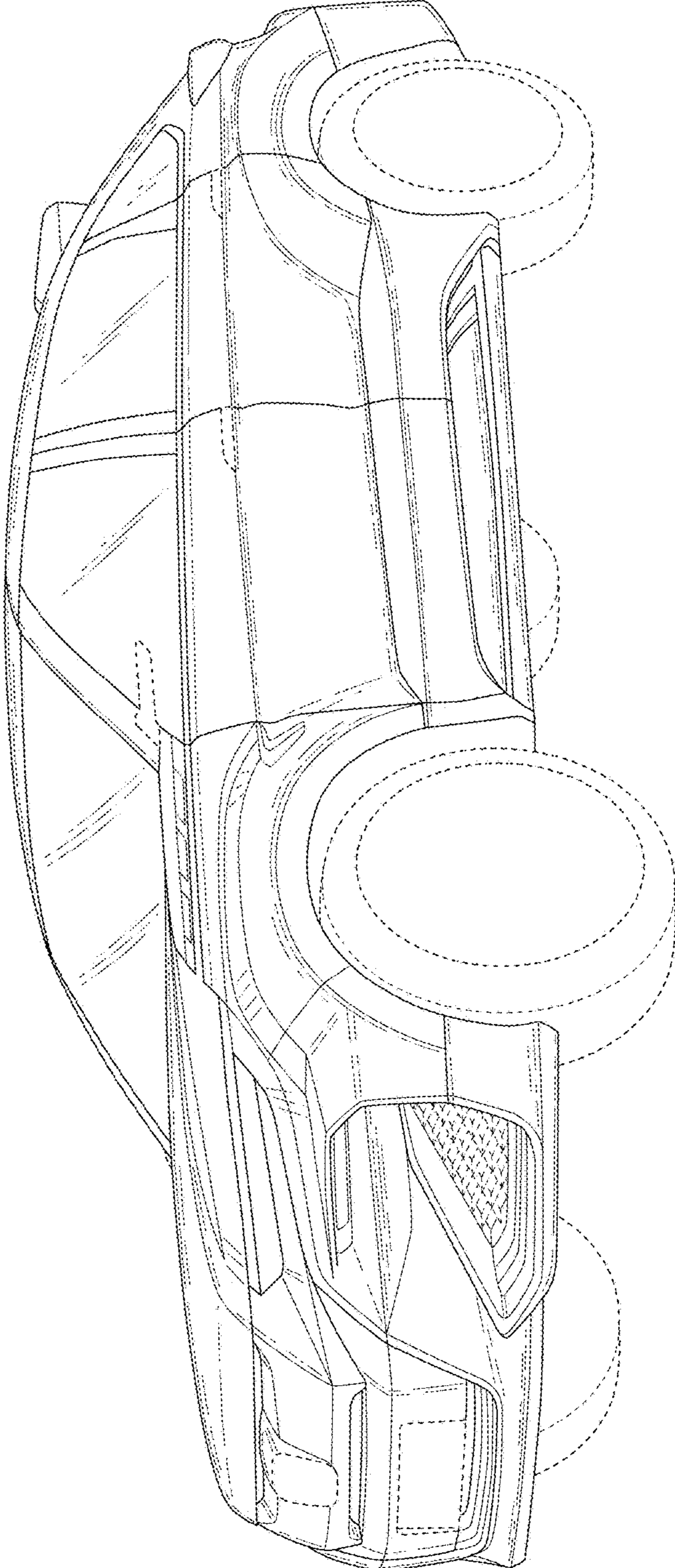


FIG.1

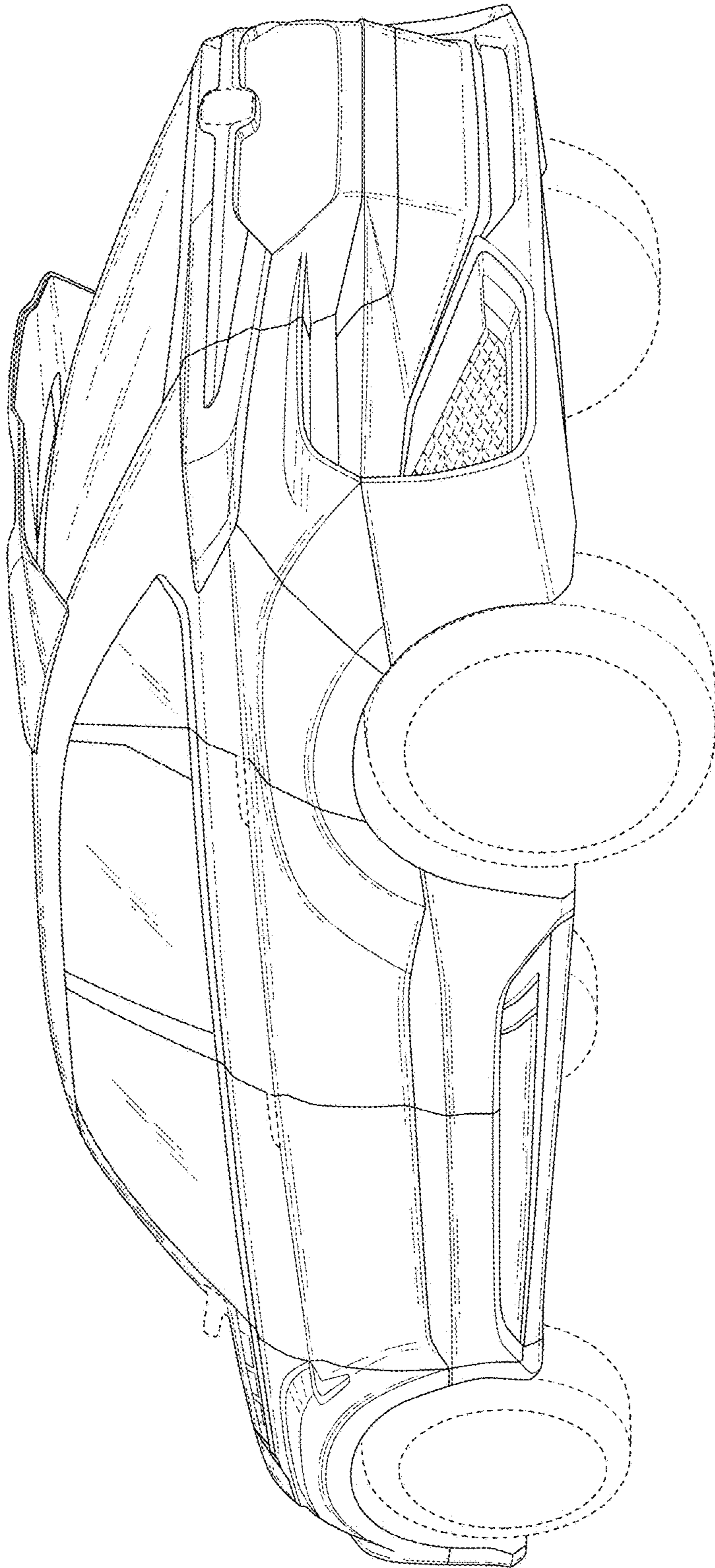


FIG.2

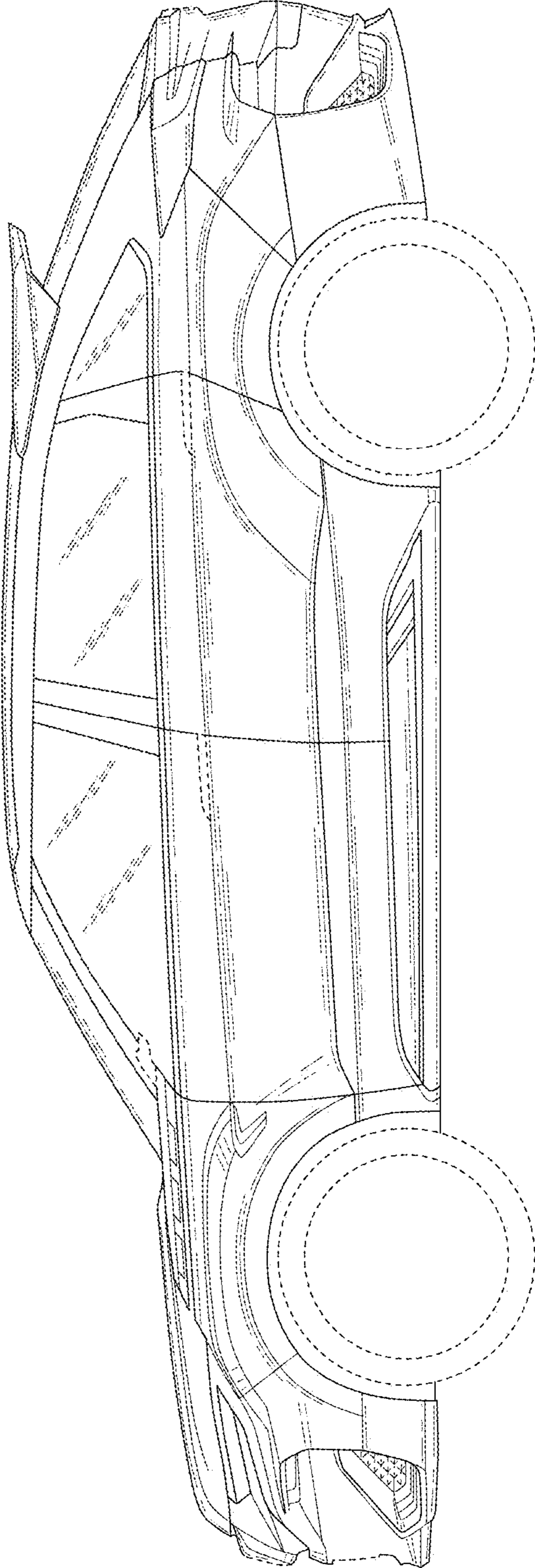


FIG.3

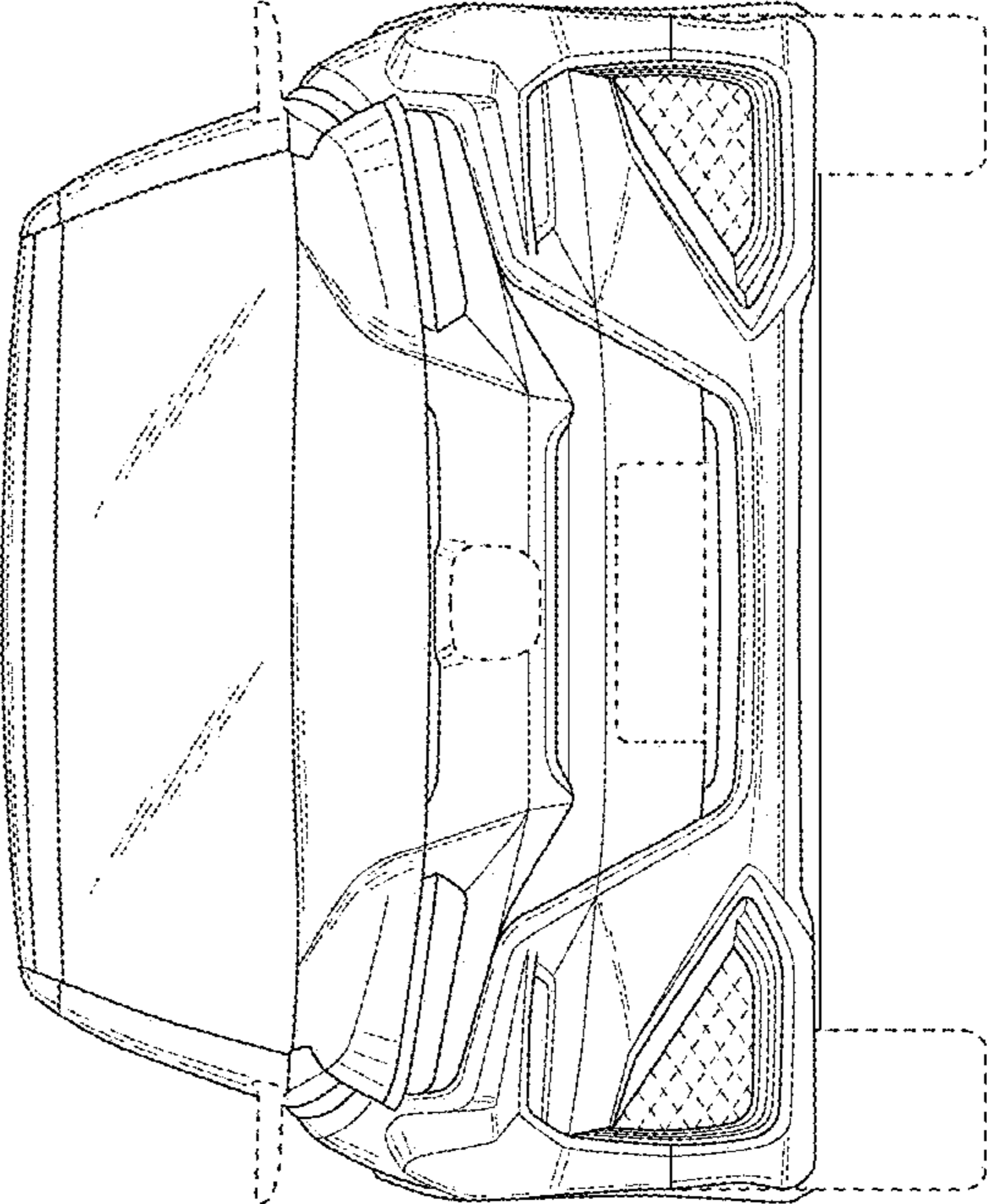


FIG.4

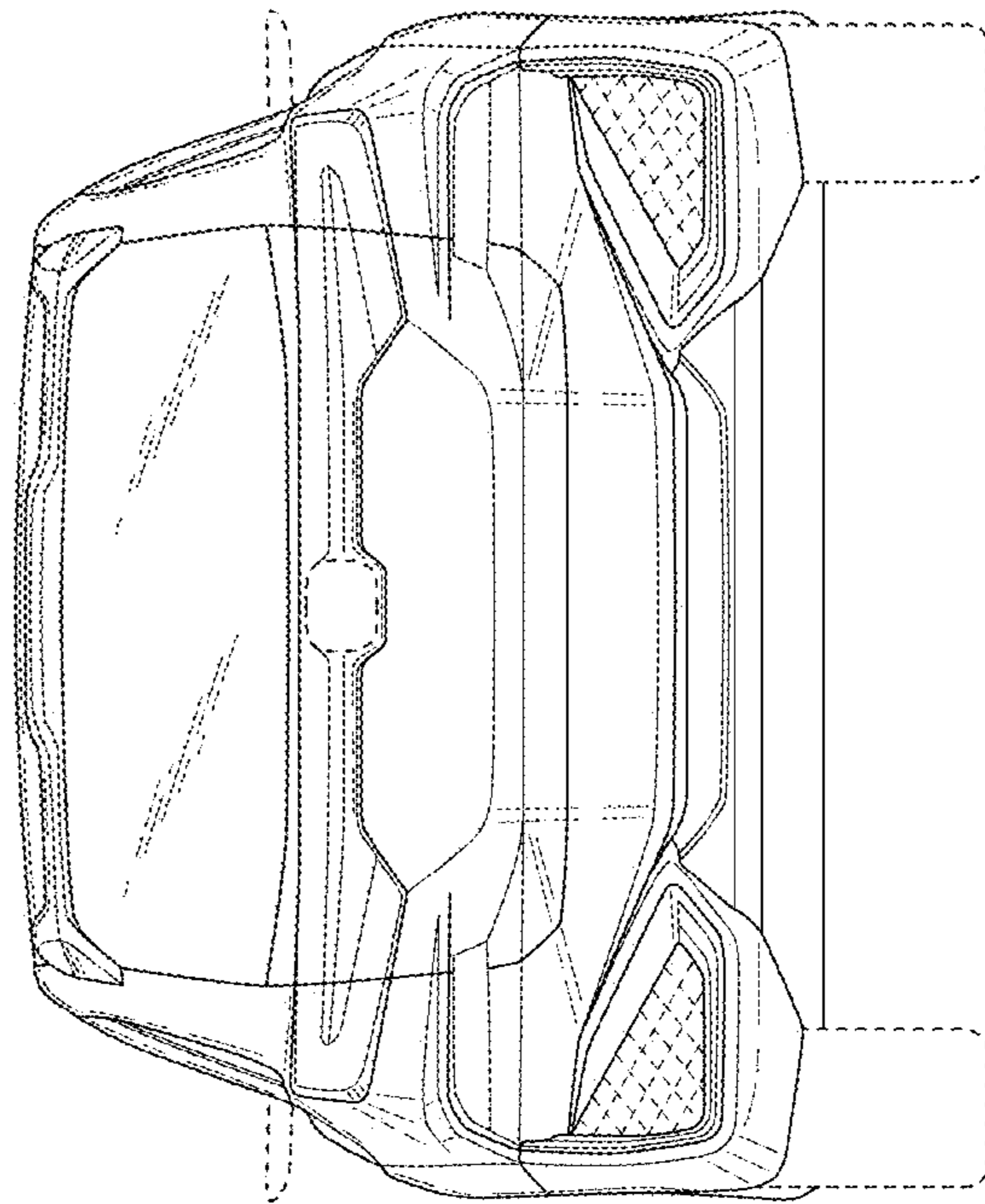


FIG.5

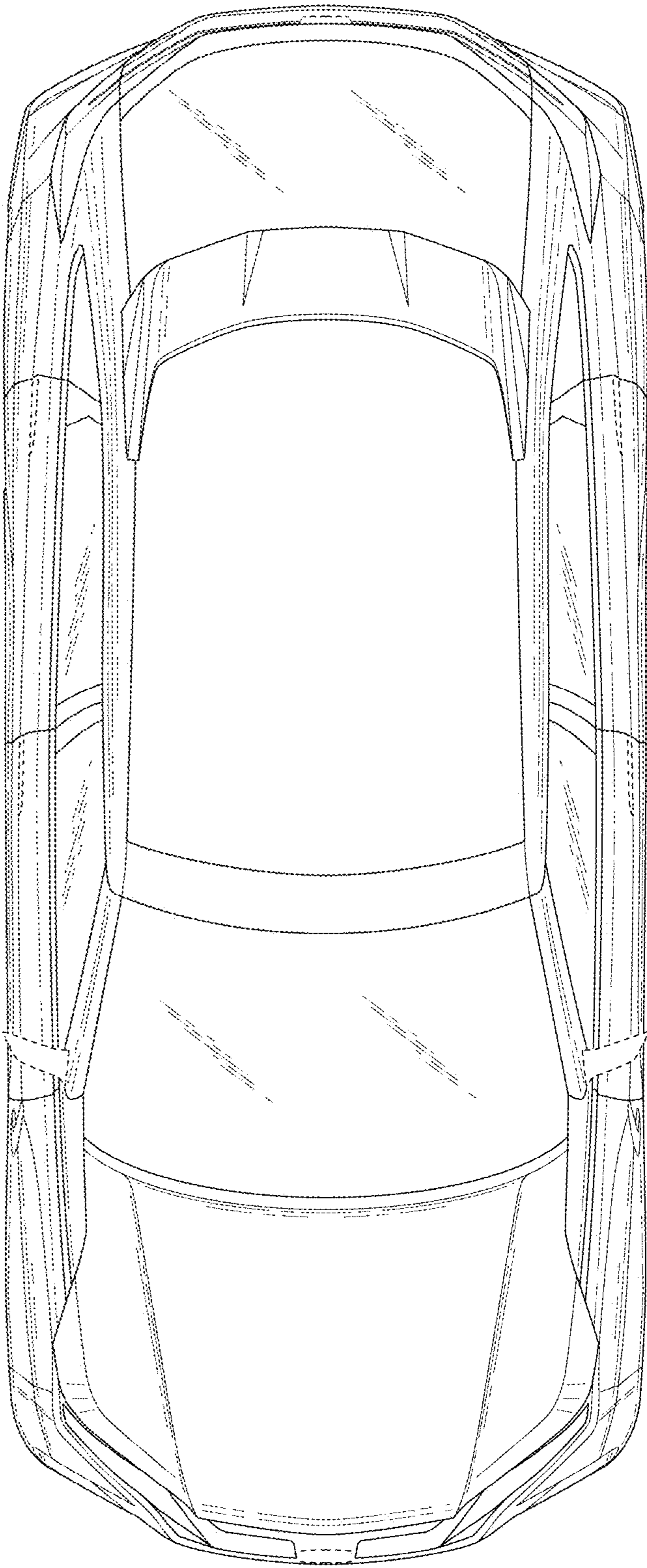


FIG.6