



US00D780062S

(12) **United States Design Patent**
Wu et al.

(10) **Patent No.:** **US D780,062 S**
(45) **Date of Patent:** **** Feb. 28, 2017**

- (54) **UNMANNED AERIAL VEHICLE**
- (71) Applicant: **SZ DJI TECHNOLOGY CO., LTD.**,
Shenzhen (CN)
- (72) Inventors: **Xu-Min Wu**, Shenzhen (CN); **Ji-Yuan Ao**,
Shenzhen (CN); **Yi-Jun Guan**, Shenzhen (CN); **Xiao-Long Wu**,
Shenzhen (CN); **Shi-Meng Bei**, Shenzhen (CN)
- (73) Assignee: **SZ DJI TECHNOLOGY CO., LTD.**,
Shenzhen (CN)
- (**) Term: **15 Years**
- (21) Appl. No.: **29/528,722**
- (22) Filed: **Jun. 1, 2015**
- (51) **LOC (10) Cl.** **12-07**
- (52) **U.S. Cl.**
USPC **D12/16.1; D21/441**
- (58) **Field of Classification Search**
USPC D12/16.1, 319, 323-345; D21/436, 438,
D21/439, 440, 441, 447, 448, 449, 450,
D21/452, 453, 454, 455
CPC B64C 1/062; B64C 39/024; B64C 27/08
See application file for complete search history.

(56) **References Cited**

U.S. PATENT DOCUMENTS

D628,658	S *	12/2010	Wurm	D21/442
D691,514	S *	10/2013	Wang	D12/16.1
D710,452	S *	8/2014	Barajas	D12/16.1
D710,453	S *	8/2014	Barajas	D12/16.1
D710,454	S *	8/2014	Barajas	D12/16.1
8,973,861	B2 *	3/2015	Zhou	A63H 27/12 244/17.23
9,061,763	B1 *	6/2015	Christensen	A63H 17/28
9,099,902	B2 *	8/2015	Chen	H02K 5/225
D741,779	S *	10/2015	Hsiao	D12/16.1
D751,490	S *	3/2016	Chen	D12/16.1

D751,491	S *	3/2016	Chen	D12/16.1
2012/0056041	A1 *	3/2012	Rhee	B64C 25/32 244/4 R
2012/0078451	A1 *	3/2012	Ohtomo	B64C 39/024 701/15
2014/0339355	A1 *	11/2014	Olm	B64C 27/08 244/17.23
2015/0051755	A1 *	2/2015	Erhart	A63H 27/12 701/2
2015/0321755	A1 *	11/2015	Martin	B64C 27/50 244/17.23

(Continued)

Primary Examiner — Robert M Spear

Assistant Examiner — Marissa J Cash

(74) *Attorney, Agent, or Firm* — Sterne, Kessler,
Goldstein & Fox P.L.L.C.

(57) **CLAIM**

The ornamental design of an unmanned aerial vehicle, as shown and described.

DESCRIPTION

FIG. 1 is a perspective view of an unmanned aerial vehicle showing our design.

FIG. 2 is a front elevational view of the unmanned aerial vehicle of FIG. 1.

FIG. 3 is a rear elevational view of the unmanned aerial vehicle of FIG. 1.

FIG. 4 is a left-side elevational view of the unmanned aerial vehicle of FIG. 1.

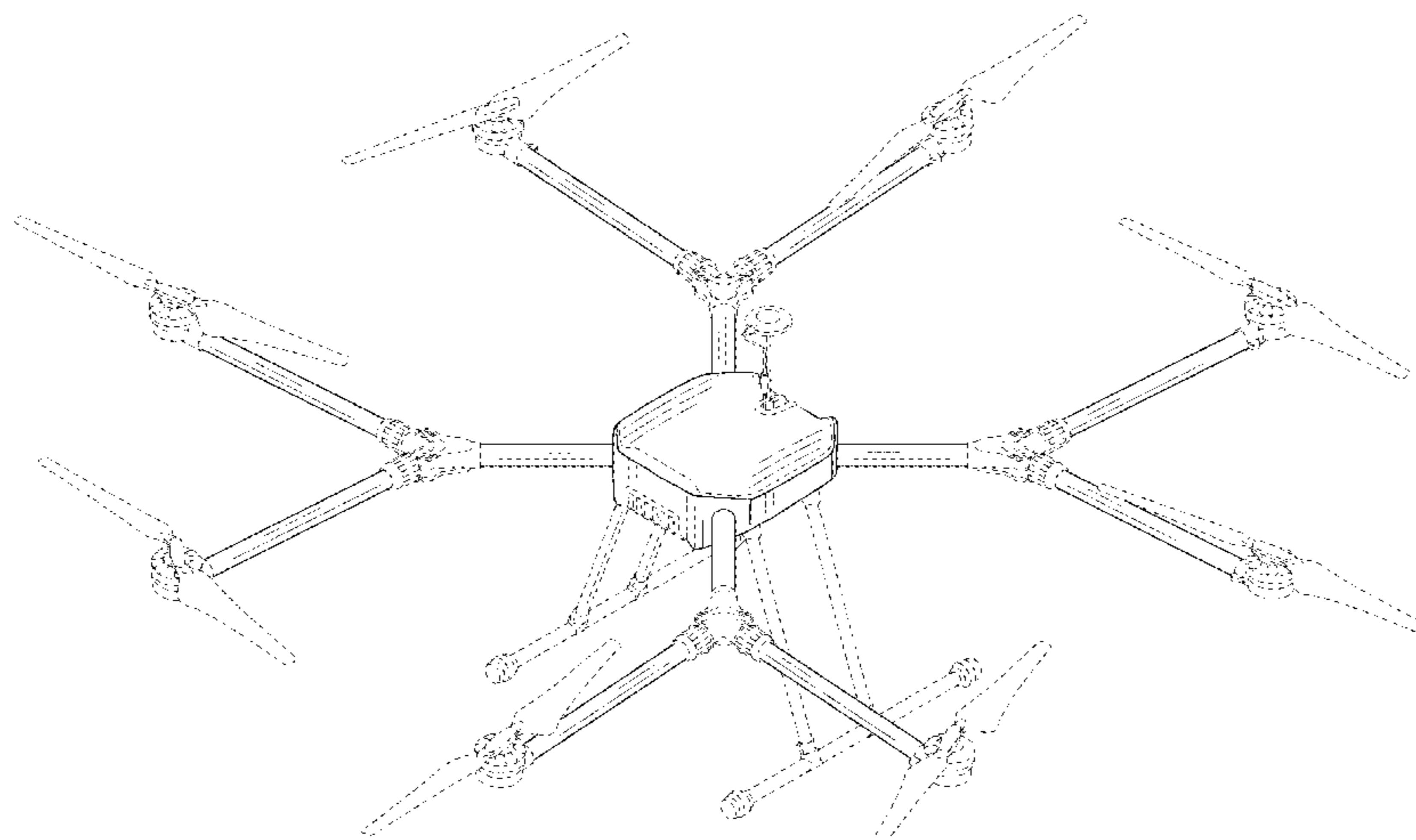
FIG. 5 is a right-side elevational view of the unmanned aerial vehicle of FIG. 1.

FIG. 6 is a top plan view of the unmanned aerial vehicle of FIG. 1; and,

FIG. 7 is a bottom plan view of the unmanned aerial vehicle of FIG. 1.

The broken lines shown are included for the purpose of illustrating environmental structure that forms no part of the claimed design.

1 Claim, 7 Drawing Sheets



(56)

References Cited

U.S. PATENT DOCUMENTS

2015/0336670 A1* 11/2015 Zhang B64C 1/00
244/119
2015/0344136 A1* 12/2015 Dahlstrom B64C 39/024
701/3
2016/0001879 A1* 1/2016 Johannesson B64C 27/50
416/142
2016/0122016 A1* 5/2016 Mintchev B64C 39/024
244/17.23
2016/0122017 A1* 5/2016 Welker B64C 39/024
244/17.23
2016/0144734 A1* 5/2016 Wang B60L 11/1822
701/17
2016/0185454 A1* 6/2016 Hutson B64C 39/024
244/17.23
2016/0198088 A1* 7/2016 Wang H04N 5/23238
348/36
2016/0236777 A1* 8/2016 Tang B64C 39/024
2016/0244176 A1* 8/2016 Xiao B60L 7/10

* cited by examiner

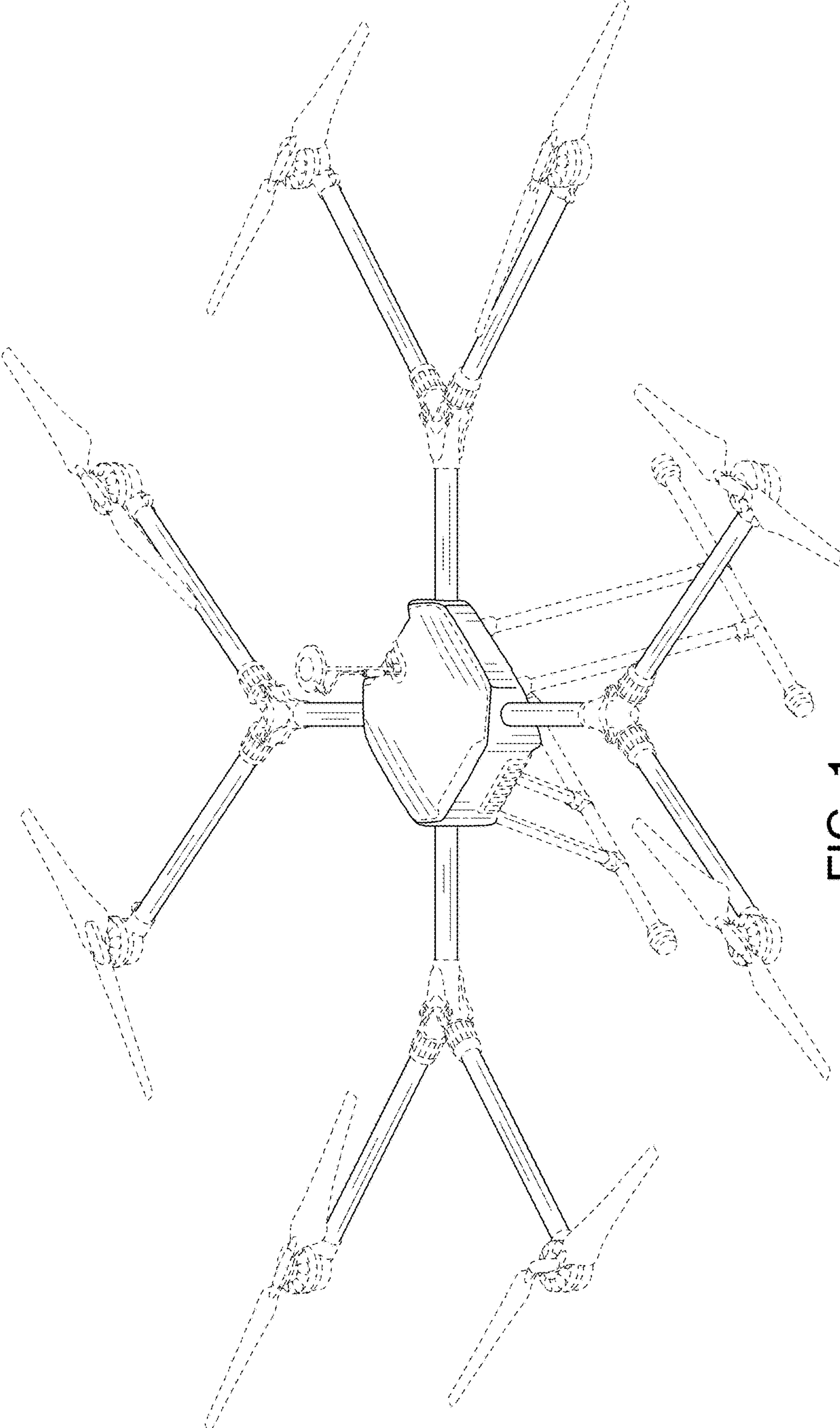


FIG. 1

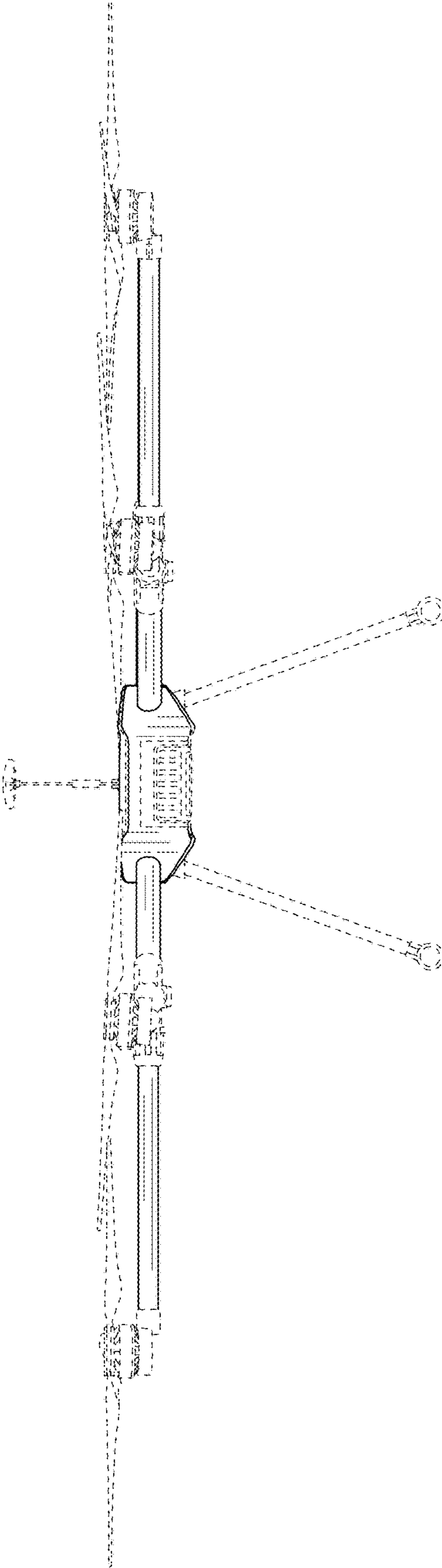


FIG. 2

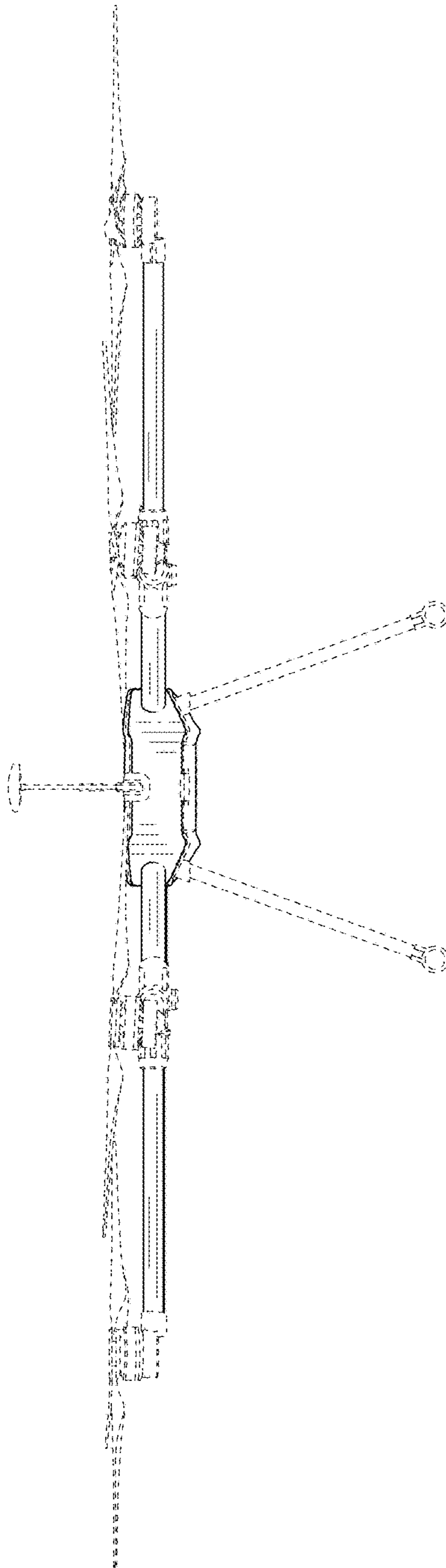


FIG. 3

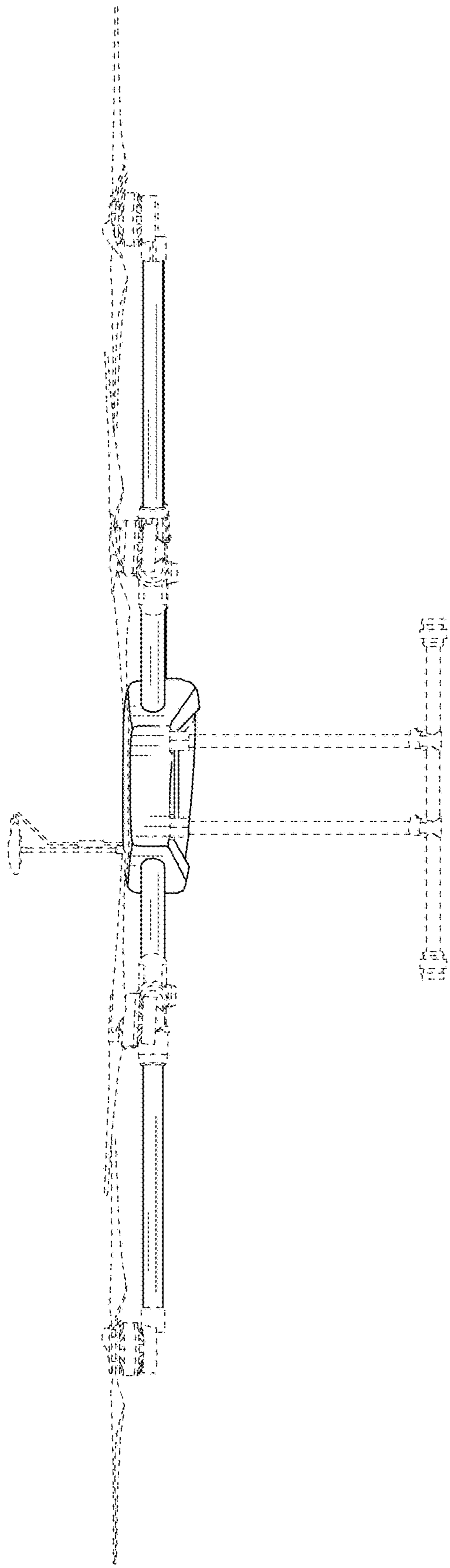


FIG. 4

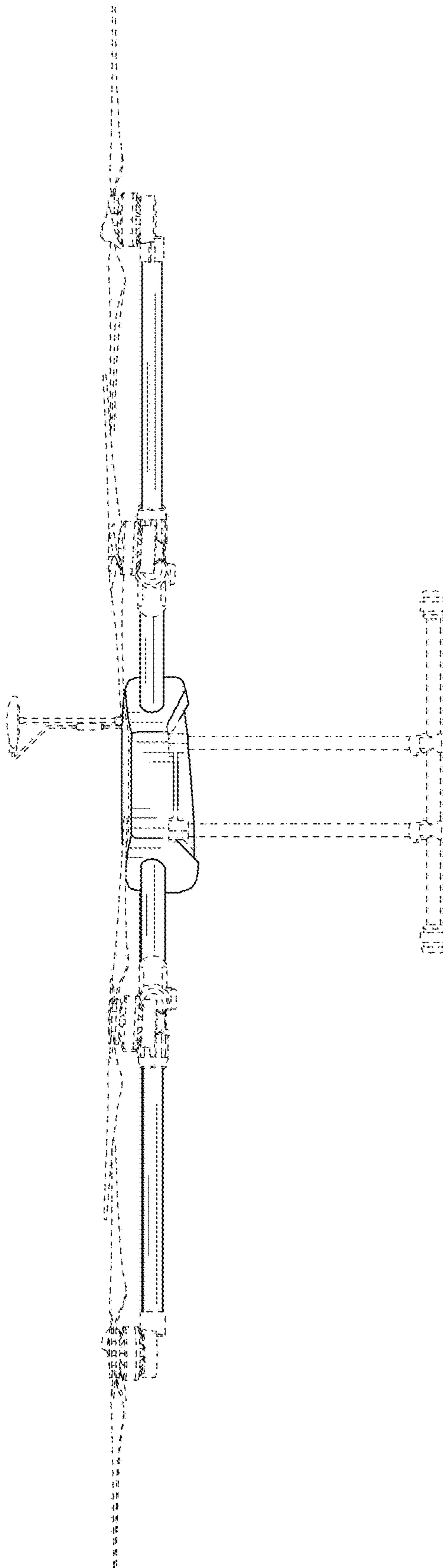


FIG. 5

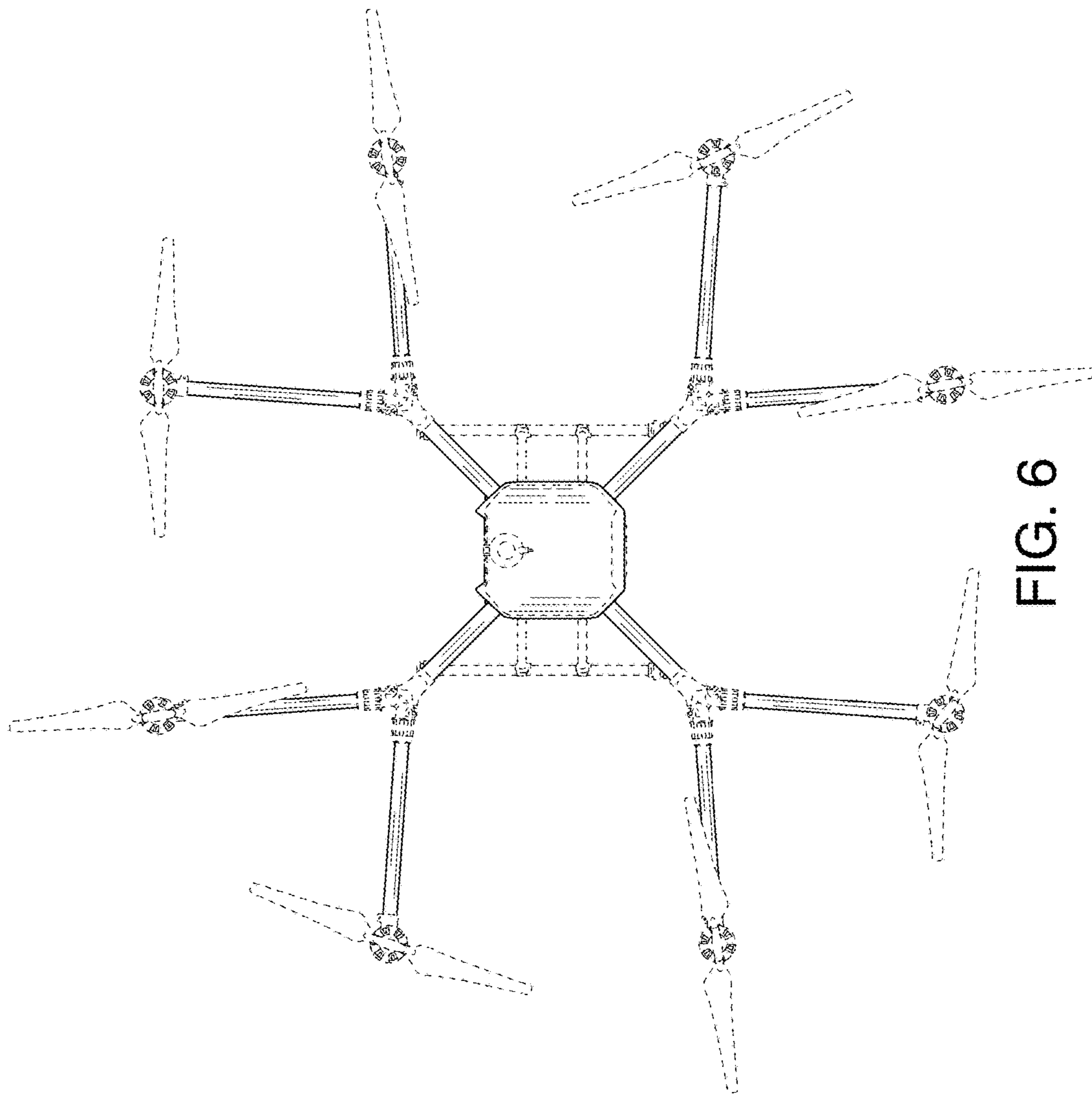


FIG. 6

