



US00D780056S

(12) **United States Design Patent**
Yatsugi-Kang

(10) **Patent No.:** **US D780,056 S**

(45) **Date of Patent:** **** Feb. 28, 2017**

(54) **CHARM**

(71) Applicant: **HARRY WINSTON SA,**
Plan-les-Ouates (CH)

(72) Inventor: **Rie Yatsugi-Kang,** Cresskill, NJ (US)

(73) Assignee: **HARRY WINSTON SA,**
Plan-les-Ouates (CH)

(**) Term: **15 Years**

(21) Appl. No.: **29/558,663**

(22) Filed: **Mar. 21, 2016**

(30) **Foreign Application Priority Data**

Sep. 23, 2015 (WO) DM/087 637

(51) **LOC (10) Cl.** **11-01**

(52) **U.S. Cl.**
USPC **D11/84**

(58) **Field of Classification Search**

USPC D11/1, 2, 40-44, 79-86, 70, 49, 50, 53,
D11/57, 66, 67, 75, 76, 77, 95, 97, 98,
D11/99,

D11/100, 101, 105, 106, 121, 125, 127,
D11/128, 91, 92, 7, 8

CPC .. A44C 1/00; A44C 3/00; A44C 3/001; A44C
3/002; A44C 3/004; A44C 3/005; A44C
3/007; A44C 3/008; A44C 7/00; A44C
7/001; A44C 7/002; A44C 7/003; A44C
7/004; A44C 21/00; A44C 23/00; A44C
25/00; A44C 25/001; A44C 25/002; A44C
25/004; A44C 25/005; A44C 25/007;
A44C 25/008; A44C 17/02; A44C
17/0208

See application file for complete search history.

(56) **References Cited**

U.S. PATENT DOCUMENTS

D130,141 S * 10/1941 Schraysshuen D11/67
D138,652 S * 8/1944 Philippe D11/67

D139,945 S * 1/1945 Philippe D11/67
D142,727 S * 10/1945 Morrow D11/67
D142,731 S * 10/1945 Morrow D11/67
D143,030 S * 11/1945 Rubel D11/79
D291,666 S * 9/1987 Gozlan D11/67
D387,694 S * 12/1997 Shenhav D11/68
D549,126 S * 8/2007 Hon D11/33
D616,784 S * 6/2010 Castaline D11/67
7,823,414 B2 * 11/2010 Benos A44C 25/001
63/23
D720,251 S * 12/2014 Yang D11/84
D734,198 S * 7/2015 Greppi D11/84

OTHER PUBLICATIONS

[Online] http://guideimg.alibaba.com/images/shop/101/12/24/9/14k-two-tone-gold-yellow-rose-hibiscus-charm-pendant-metal-wt-1-76g_2262469.jpg. Retrieved Nov. 10, 2016.*

(Continued)

Primary Examiner — Melanie Pellegrini

(74) *Attorney, Agent, or Firm* — Donald J. Ranft; Collen IP

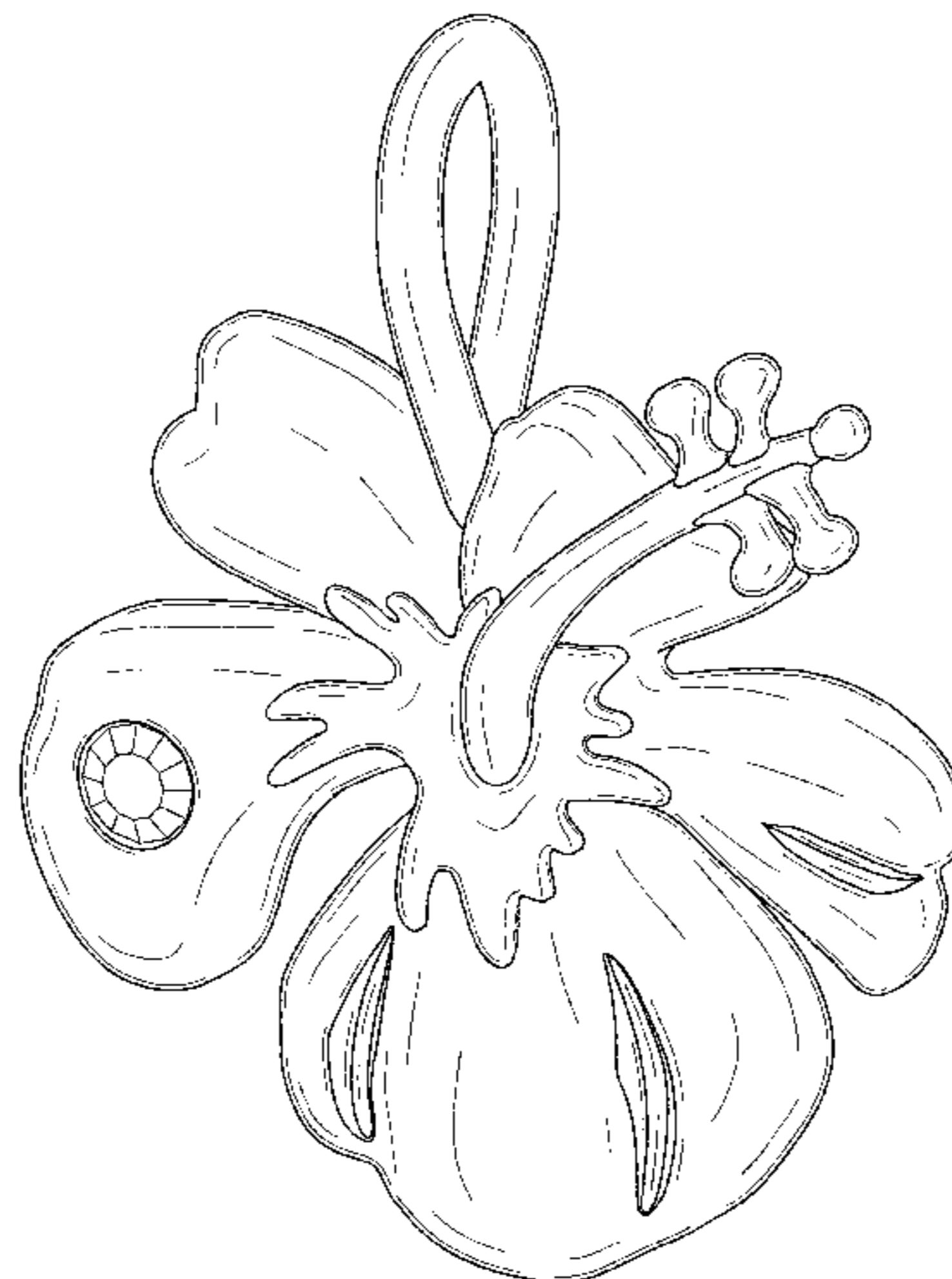
(57) **CLAIM**

The ornamental design for a charm, as shown.

DESCRIPTION

FIG. 1 is a front right perspective view of a charm showing my new design;
FIG. 2 is a rear left perspective view thereof;
FIG. 3 is a front view thereof;
FIG. 4 is a rear view thereof;
FIG. 5 is a left side view thereof;
FIG. 6 is a right side view thereof;
FIG. 7 is a top view thereof; and,
FIG. 8 is a bottom view thereof.

1 Claim, 6 Drawing Sheets



(56)

References Cited

OTHER PUBLICATIONS

[Online] http://www.thesourcejewelers.com/product_images/h/053/6528-silver_07468_zoom.jpg. Retrieved Nov. 10, 2016.*

[Online] <https://s-media-cache-ak0.pinimg.com/236x/18/f8/1d/18f81d375e429a73e616d54c934bcbef.jpg>. Retrieved Nov. 10, 2016.*

[Online] <http://static.nahoku.com/media/catalog/product/cache/1/image/9df78eab33525d08d6e5fb8d27136e95/1/9/19941-3.jpg>. Retrieved Nov. 10, 2016.*

[Online] <https://www.facebook.com/HarryWinston/photos/a.164445834782.149903.61090414782/10154498188174783/?type=3&theater>. Retrieved Nov. 10, 2016.*

* cited by examiner

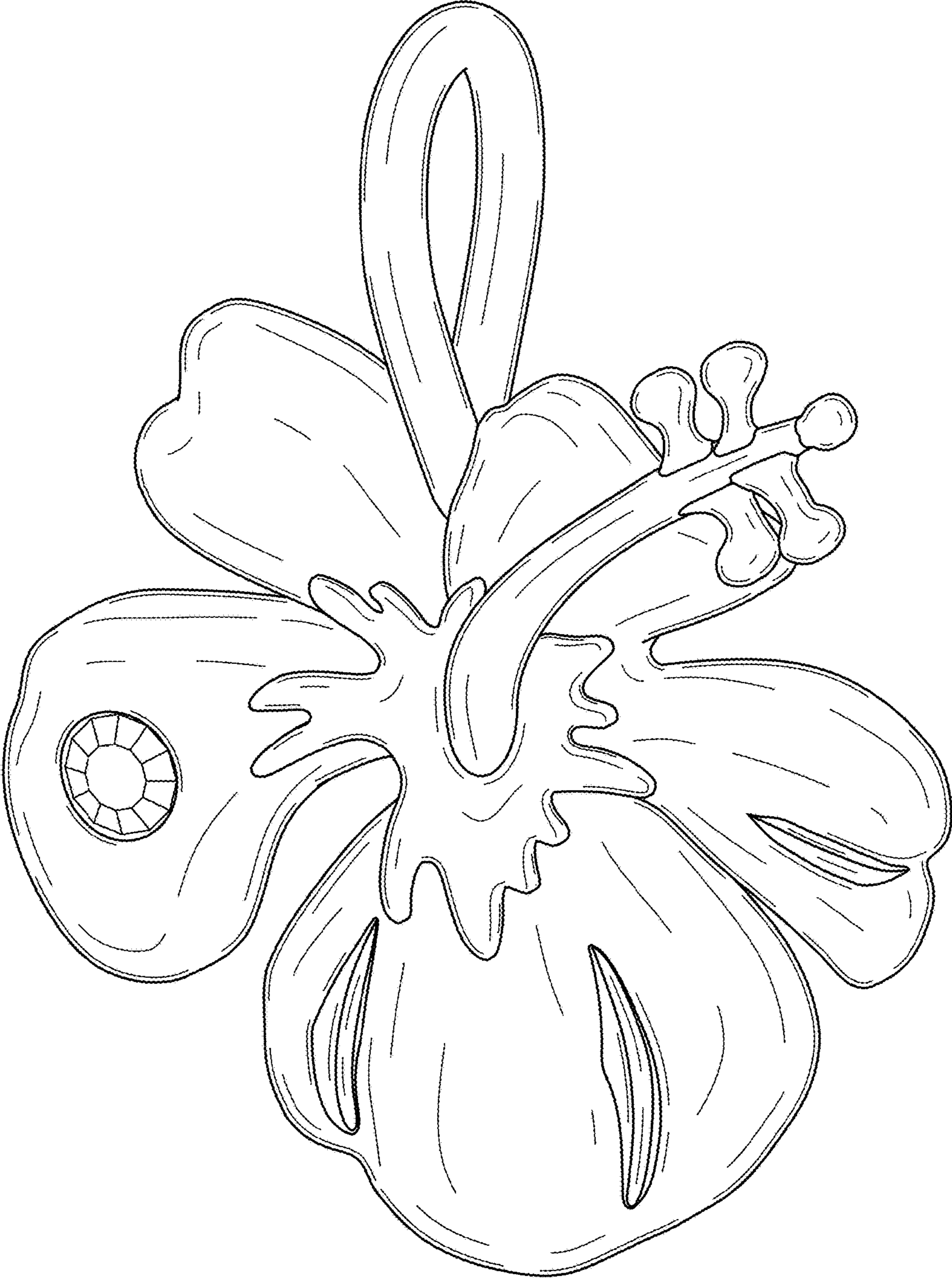


FIG. 1



FIG. 2

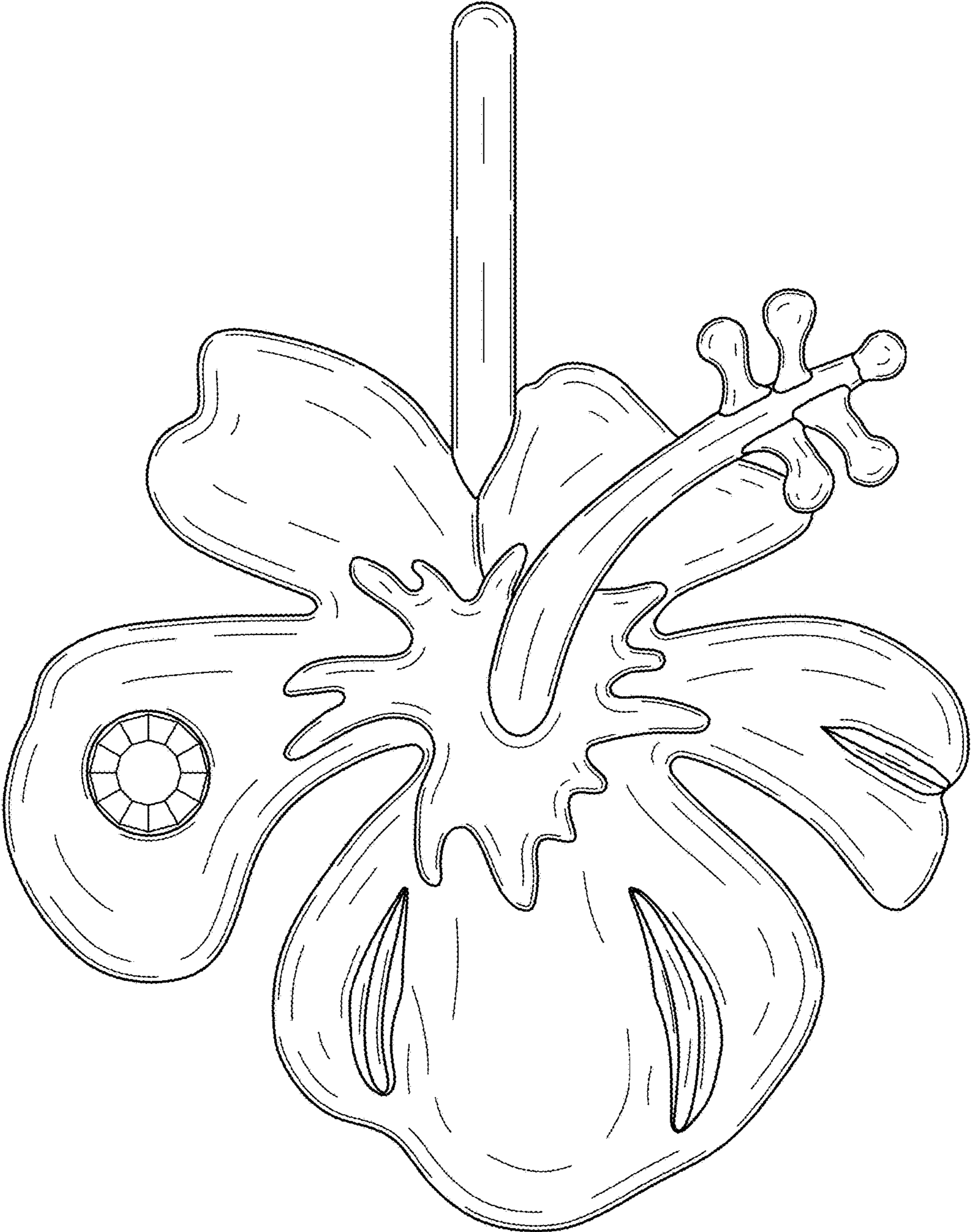


FIG. 3

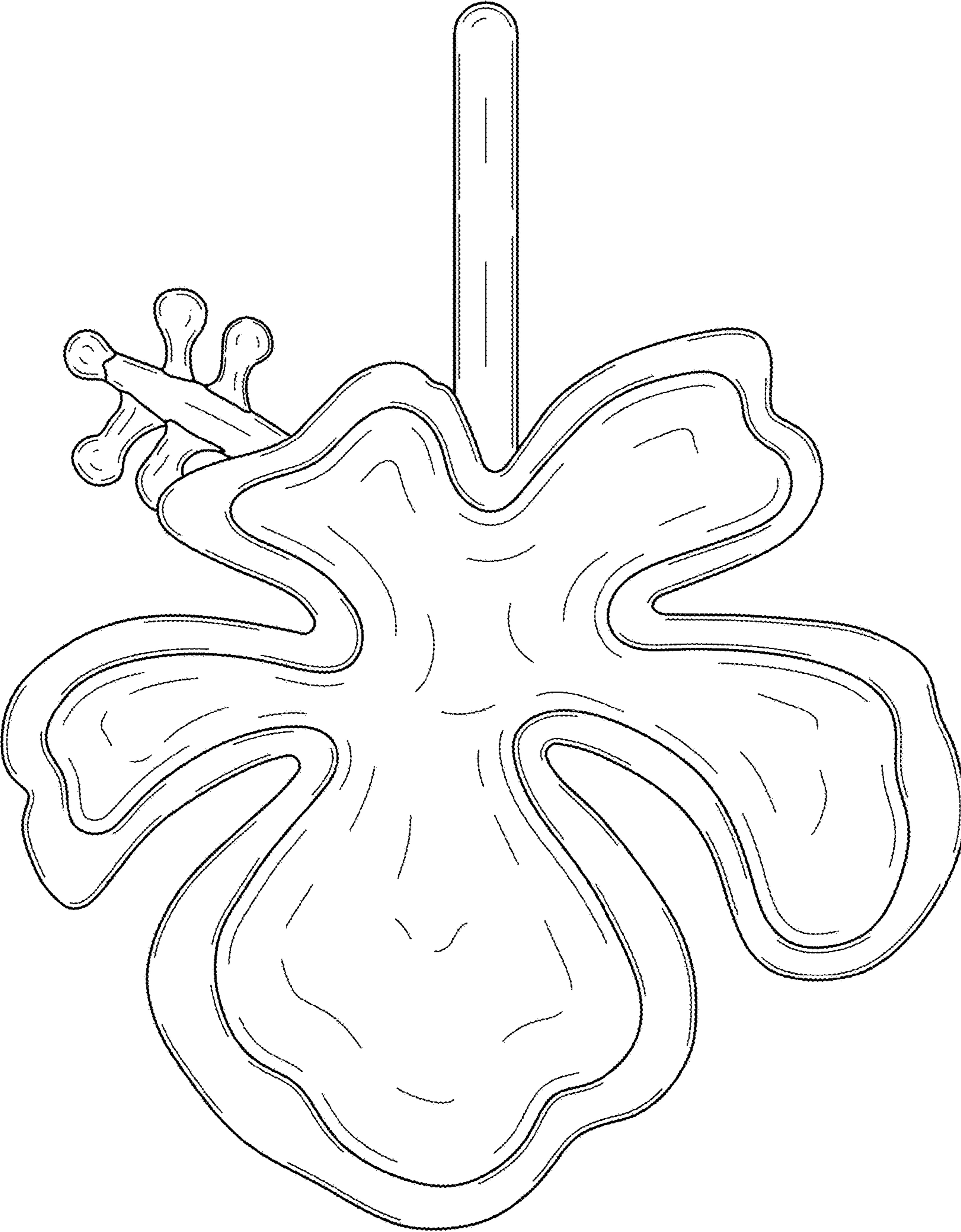


FIG. 4

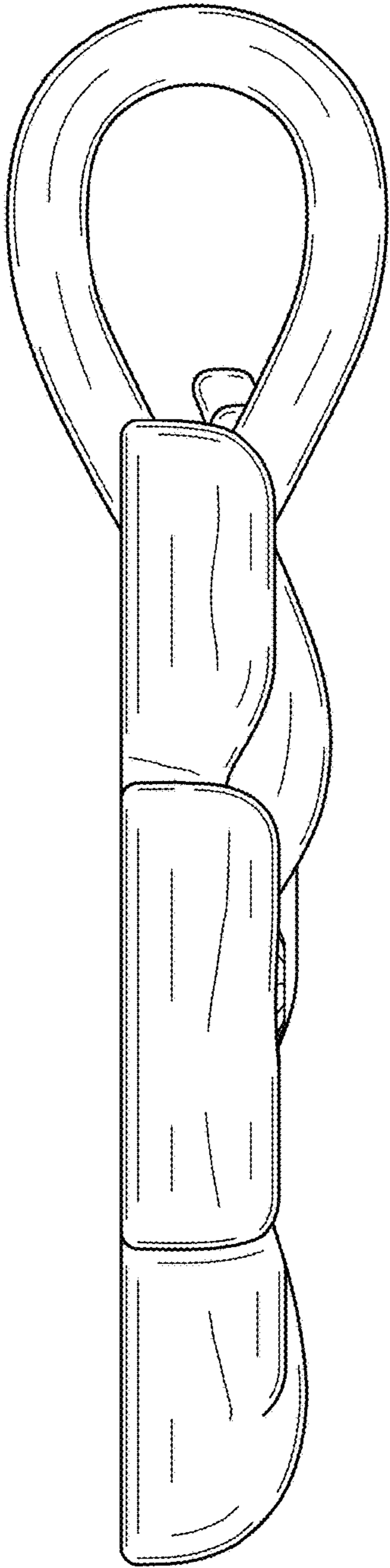


FIG. 5

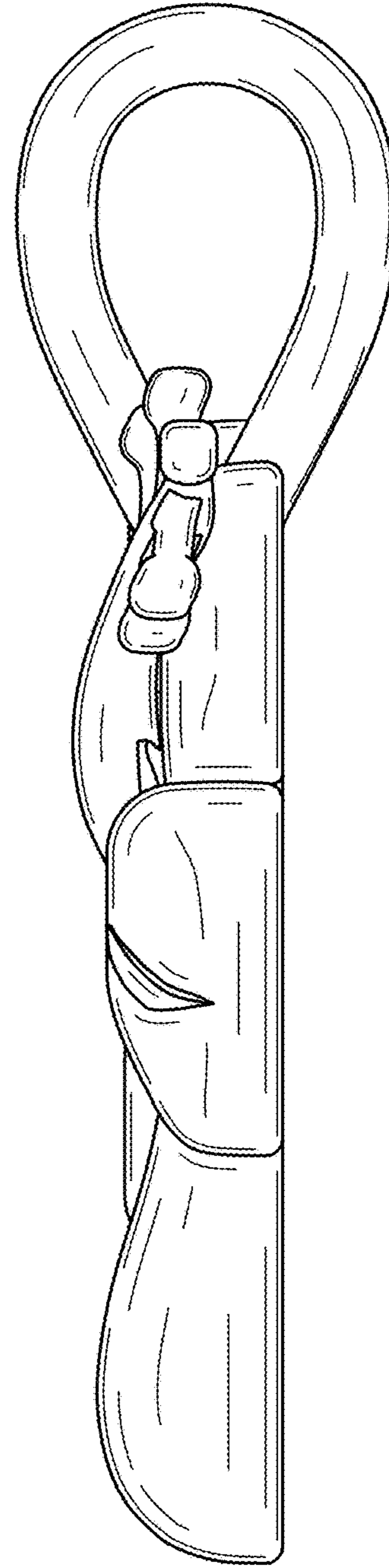


FIG. 6

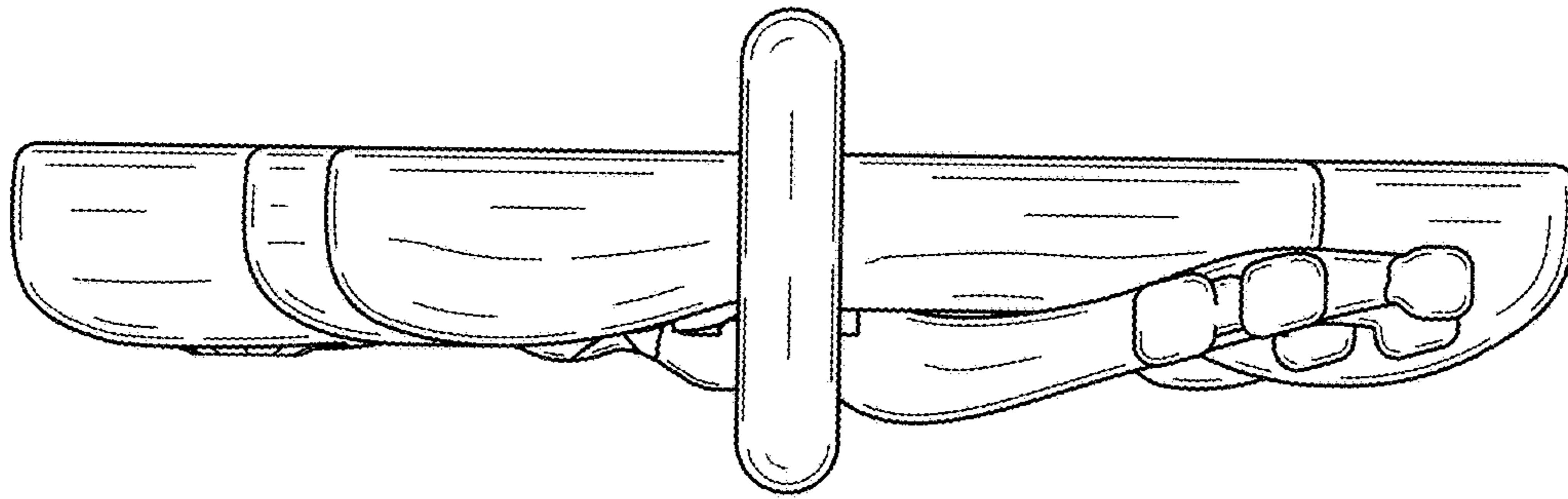


FIG. 7

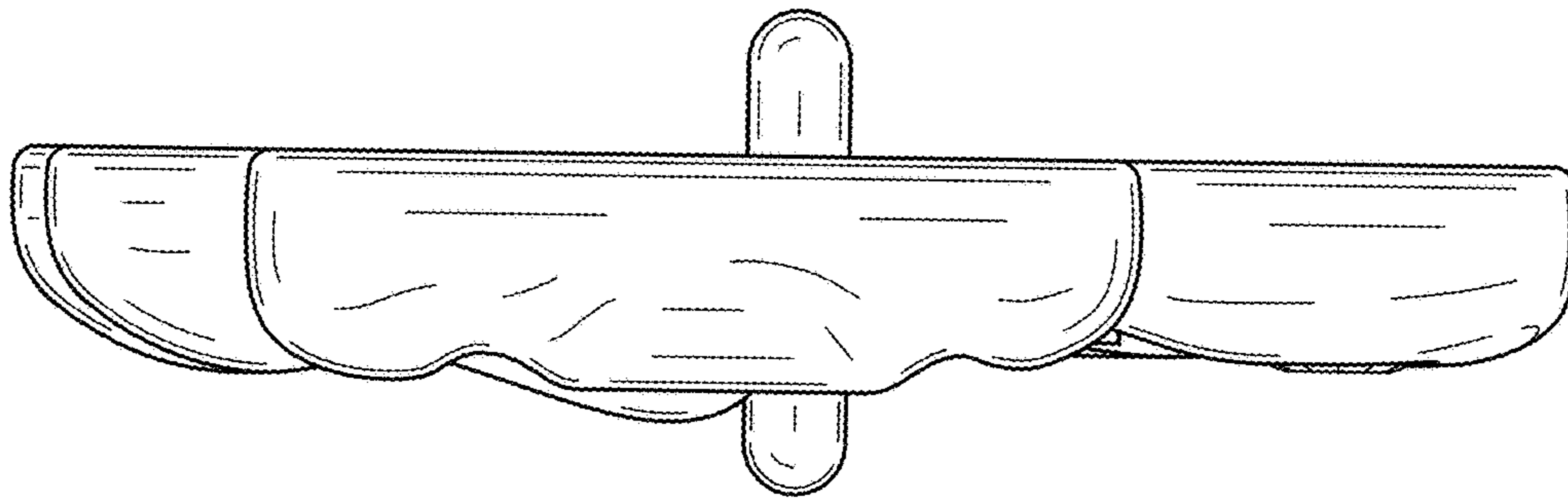


FIG. 8