



US00D780055S

(12) **United States Design Patent** (10) **Patent No.:** **US D780,055 S**
Yatsugi-Kang (45) **Date of Patent:** **** Feb. 28, 2017**

(54) **PENDANT**

(71) Applicant: **HARRY WINSTON SA,**
Plan-les-Ouates (CH)
(72) Inventor: **Rie Yatsugi-Kang,** Cresskill, NJ (US)
(73) Assignee: **HARRY WINSTON SA,**
Plan-les-Ouates (CH)

D139,945 S * 1/1945 Philippe D11/67
D142,727 S * 10/1945 Morrow D11/67
D142,731 S * 10/1945 Morrow D11/67
D166,691 S * 5/1952 Katz D11/67
D291,666 S * 9/1987 Gozlan D11/67
D387,694 S * 12/1997 Shenhav D11/68
D476,917 S * 7/2003 Gamble D11/84
D549,126 S * 8/2007 Hon D11/33
D616,784 S * 6/2010 Castaline D11/67
D720,251 S * 12/2014 Yang D11/84

(**) Term: **15 Years**

(21) Appl. No.: **29/552,615**

(22) Filed: **Jan. 25, 2016**

(30) **Foreign Application Priority Data**

Jul. 24, 2015 (WO) DM/087044

(51) **LOC (10) Cl.** **11-01**

(52) **U.S. Cl.**
USPC **D11/84**

(58) **Field of Classification Search**

USPC D11/1, 2, 40-44, 79-86, 70, 49, 50, 53,
D11/57, 66, 67, 75, 76, 77, 95, 97, 98,
D11/99, 100, 101, 105, 106, 121, 125,
D11/127, 128, 91, 92, 7, 8
CPC .. A44C 1/00; A44C 3/00; A44C 3/001; A44C
3/002; A44C 3/004; A44C 3/005; A44C
3/007; A44C 3/008; A44C 7/00; A44C
7/001; A44C 7/002; A44C 7/003; A44C
7/004; A44C 21/00; A44C 23/00; A44C
25/00; A44C 25/001; A44C 25/002; A44C
25/004; A44C 25/005; A44C 25/007;
A44C 25/008; A44C 17/02; A44C
17/0208

See application file for complete search history.

(56) **References Cited**

U.S. PATENT DOCUMENTS

D130,141 S * 10/1941 Schrayssshuen D11/67
D138,652 S * 8/1944 Philippe D11/67

OTHER PUBLICATIONS

[Online] <https://www.facebook.com/HarryWinston/photos/a.164445834782.149903.61090414782/10154498188174783/?type=3&theater>. Retrieved Nov. 9, 2016. Posted online Aug. 24, 2016.*

(Continued)

Primary Examiner — Melanie Pellegrini

(74) *Attorney, Agent, or Firm* — Donald J. Ranft; Collen IP

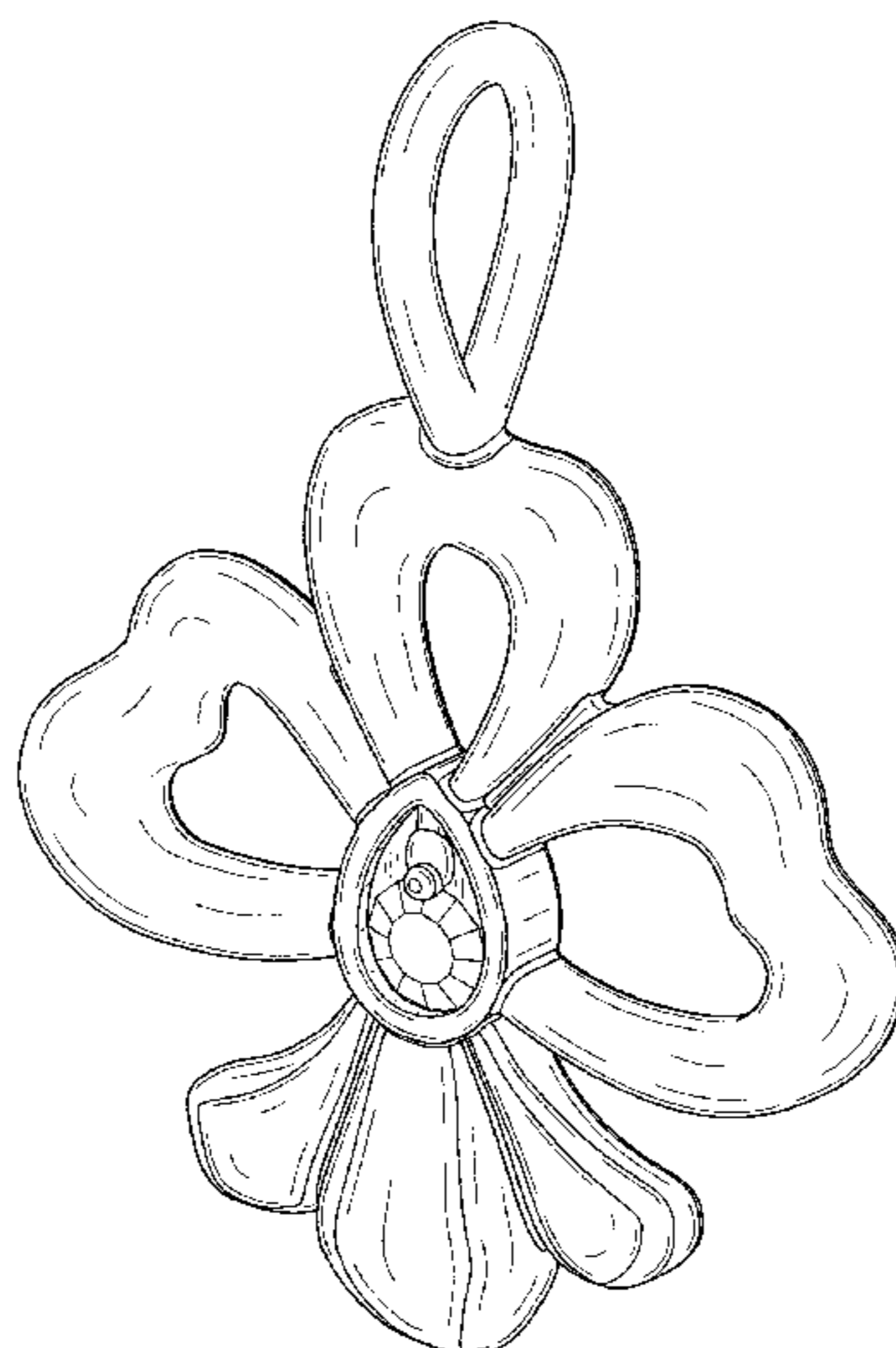
(57) **CLAIM**

The ornamental design for a pendant, as shown.

DESCRIPTION

FIG. 1 is a front right perspective view of a pendant showing my new design;
FIG. 2 is a rear left perspective view thereof;
FIG. 3 is a front view thereof;
FIG. 4 is a rear view thereof;
FIG. 5 is a left side view thereof;
FIG. 6 is a right side view thereof;
FIG. 7 is a top view thereof; and,
FIG. 8 is a bottom view thereof.

1 Claim, 6 Drawing Sheets



(56)

References Cited

OTHER PUBLICATIONS

[Online] <https://massiebuhlock.files.wordpress.com/2010/08/flower-charm-necklace.jpg>. Retrieved Nov. 9, 2016. Posted online Aug. 9, 2010.*

[Online] http://www.thesourcejewelers.com/product_images/h/053/6528-silver_07468_zoom.jpg. Retrieved Aug. 24, 2016.*

* cited by examiner

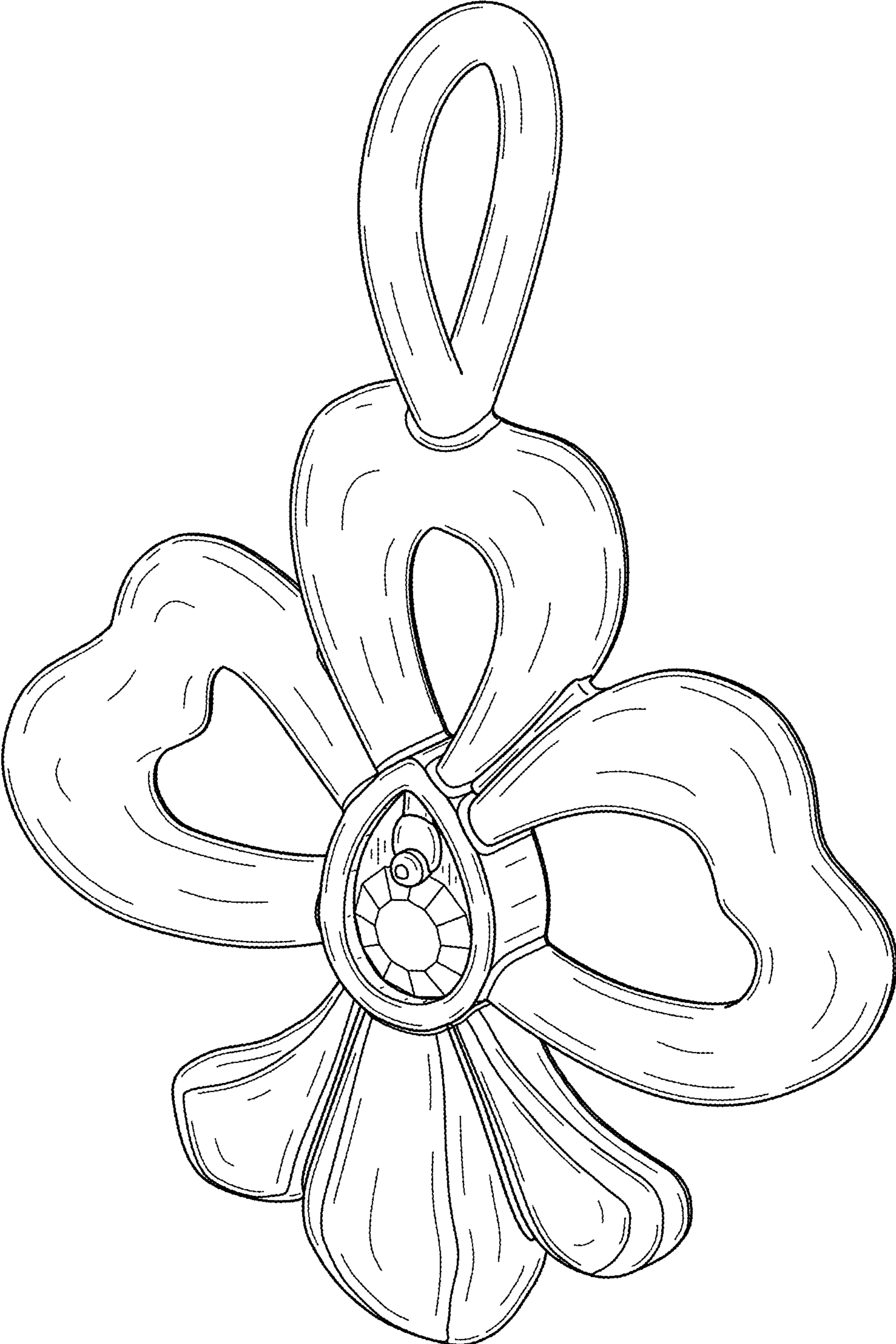


FIG. 1

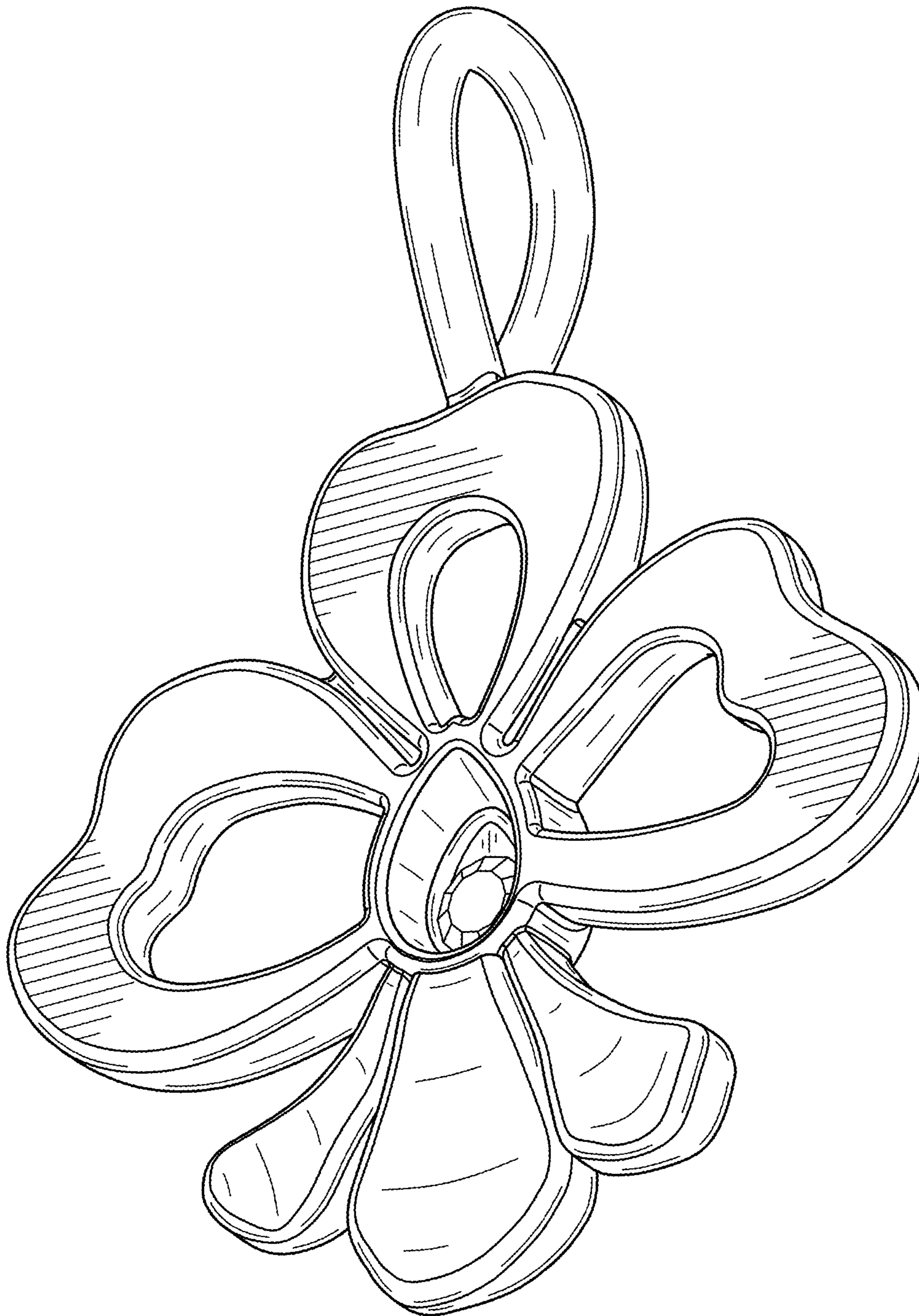


FIG. 2

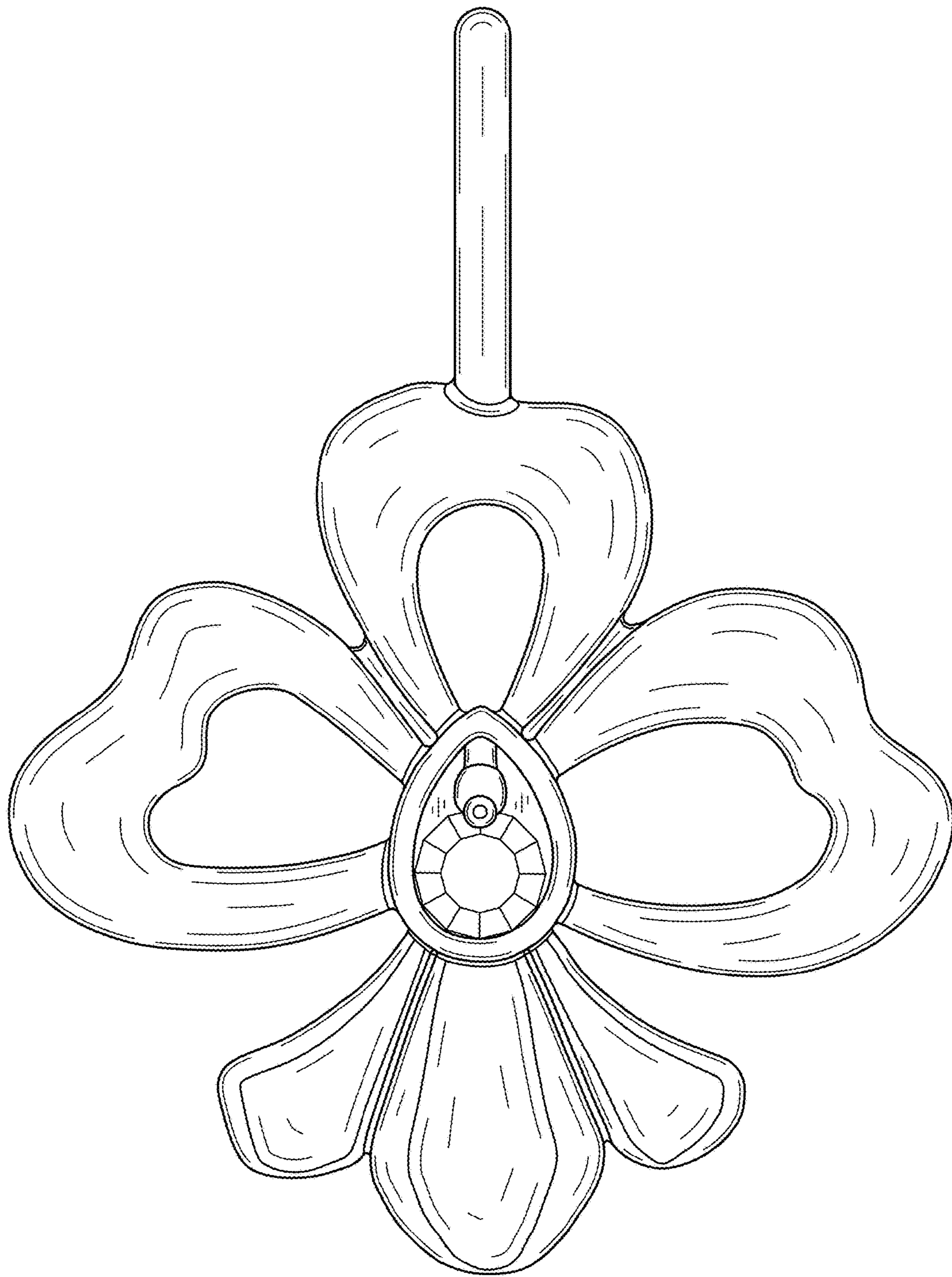


FIG. 3

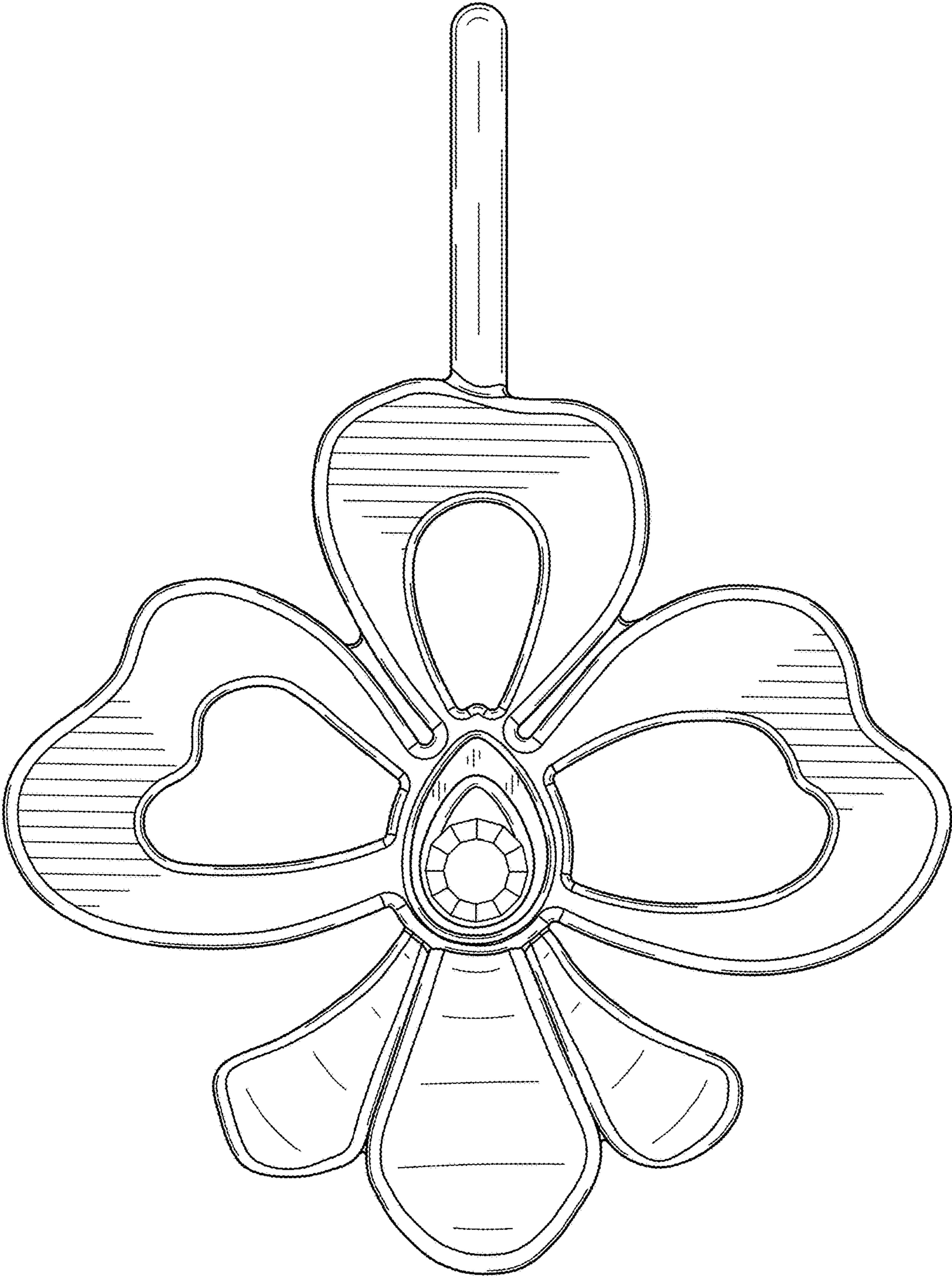


FIG. 4

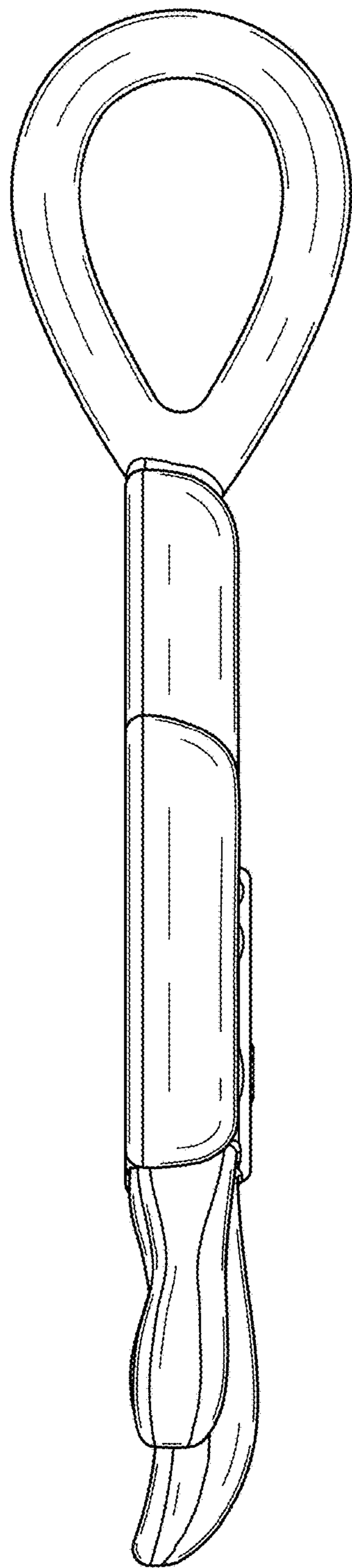


FIG. 5

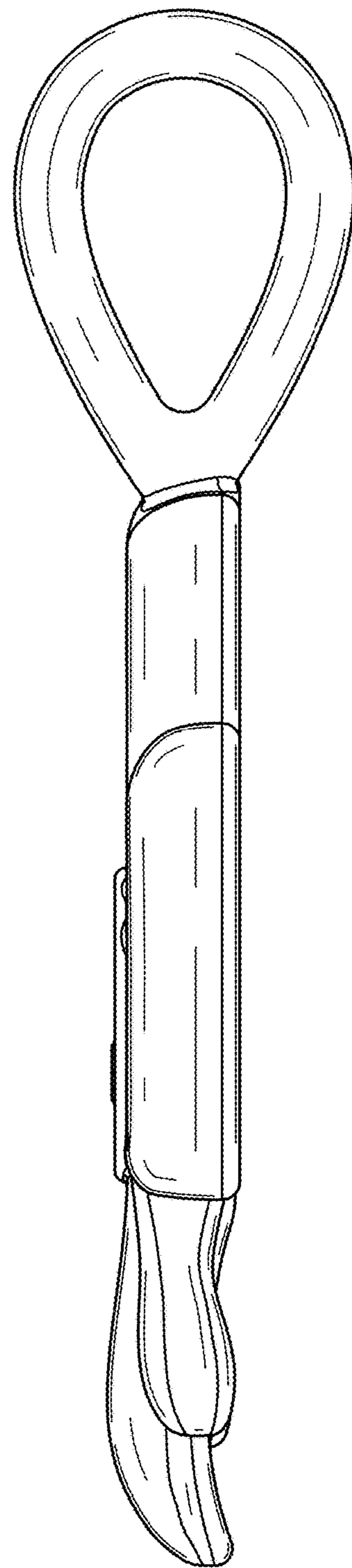


FIG. 6

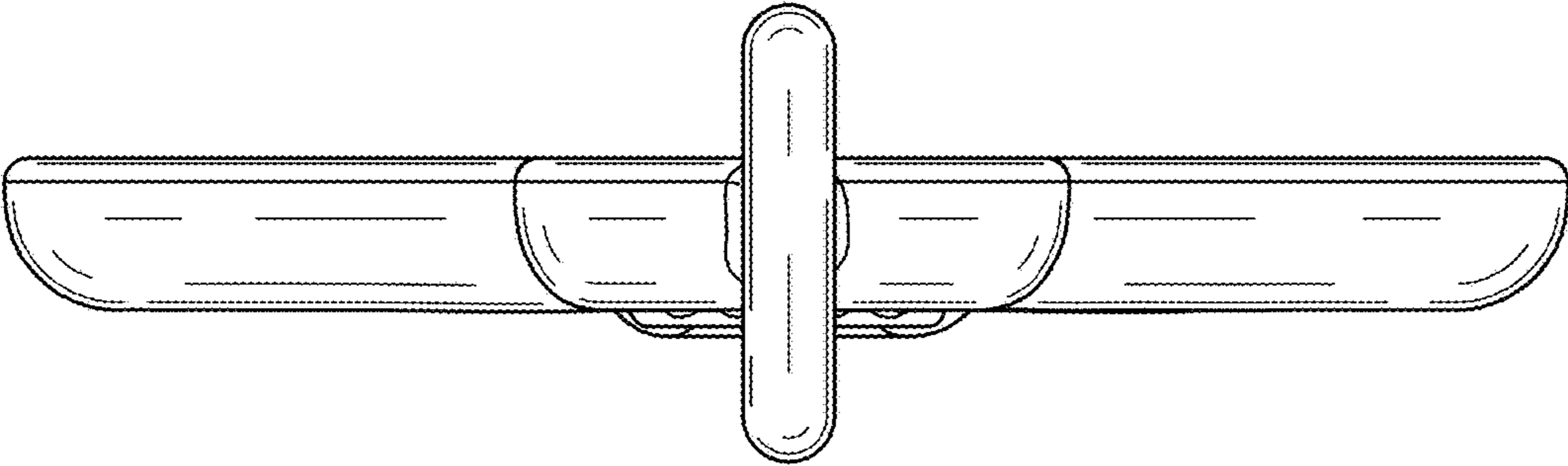


FIG. 7

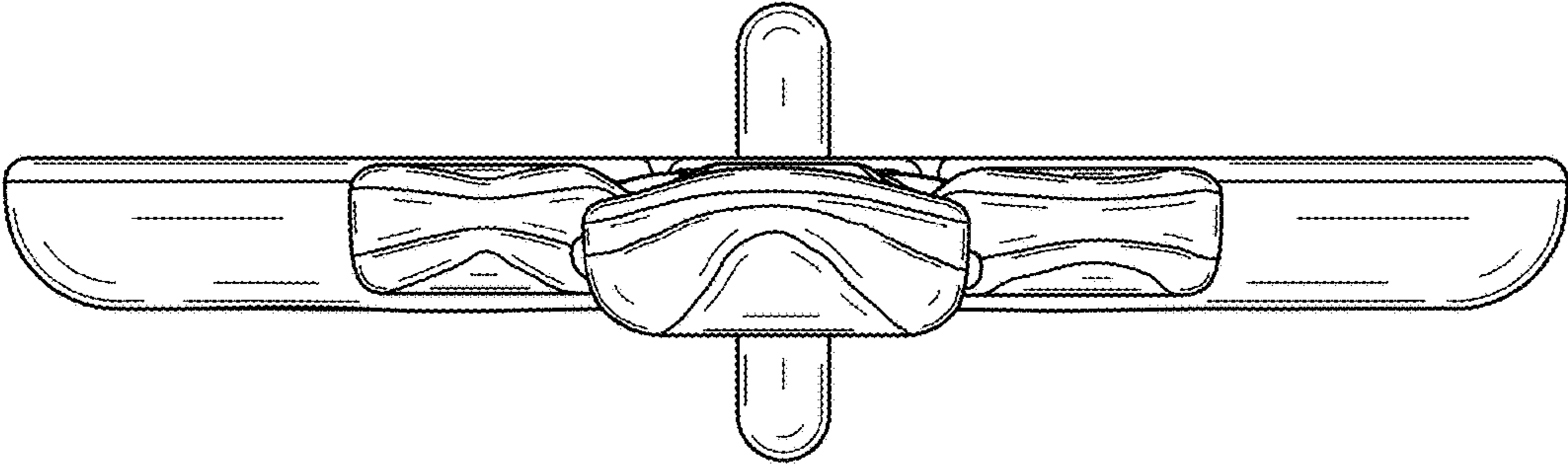


FIG. 8