



US00D780053S

(12) **United States Design Patent** (10) **Patent No.:** **US D780,053 S**  
**Riviere** (45) **Date of Patent:** **\*\* Feb. 28, 2017**

(54) **CHARM**

(56) **References Cited**

(71) Applicant: **HARRY WINSTON SA,**  
Plan-les-Ouates (CH)  
(72) Inventor: **Dominique Riviere,** New York, NY  
(US)  
(73) Assignee: **HARRY WINSTON SA,**  
Plan-les-Ouates (CH)  
(\*\*) Term: **15 Years**

U.S. PATENT DOCUMENTS

D7,825 S \* 11/1874 Derousse ..... D11/106  
D51,476 S \* 11/1917 Cappa ..... D11/83  
D90,162 S \* 6/1933 Zettler ..... D11/106  
D174,282 S \* 3/1955 Katz ..... D11/83  
D174,283 S \* 3/1955 Katz ..... D11/83  
D174,877 S \* 5/1955 Katz ..... D11/83  
D175,508 S \* 9/1955 Katz ..... D11/83  
D176,196 S \* 11/1955 Katz ..... D11/83  
D199,792 S \* 12/1964 Frankenthaler ..... D11/105  
D227,145 S \* 6/1973 Corbisier ..... D11/83

(21) Appl. No.: **29/558,020**

OTHER PUBLICATIONS

(22) Filed: **Mar. 15, 2016**

[Online] <https://www.facebook.com/HarryWinston/photos/a.164445834782.149903.61090414782/10154512923709783/?type=3&theater>. Posted online Aug. 29, 2016. Retrieved Nov. 9, 2016.\*

(30) **Foreign Application Priority Data**

Sep. 17, 2015 (WO) ..... DM087 555

(51) **LOC (10) Cl.** ..... **11-01**

(52) **U.S. Cl.**  
USPC ..... **D11/83**

\* cited by examiner

*Primary Examiner* — Melanie Pellegrini

(74) *Attorney, Agent, or Firm* — Donald J. Ranft; Collen IP

(58) **Field of Classification Search**

USPC ..... D11/1, 2, 40-44, 79-86, 70, 49, 50, 53,  
D11/57, 66, 67, 75, 76, 77, 95, 97, 98,  
D11/99, 100, 101, 105, 106, 121, 125,  
D11/127, 128, 91, 92, 7, 8  
CPC .. A44C 1/00; A44C 3/00; A44C 3/001; A44C  
3/002; A44C 3/004; A44C 3/005; A44C  
3/007; A44C 3/008; A44C 7/00; A44C  
7/001; A44C 7/002; A44C 7/003; A44C  
7/004; A44C 21/00; A44C 23/00; A44C  
25/00; A44C 25/001; A44C 25/002; A44C  
25/004; A44C 25/005; A44C 25/007;  
A44C 25/008; A44C 17/02; A44C  
17/0208

(57) **CLAIM**

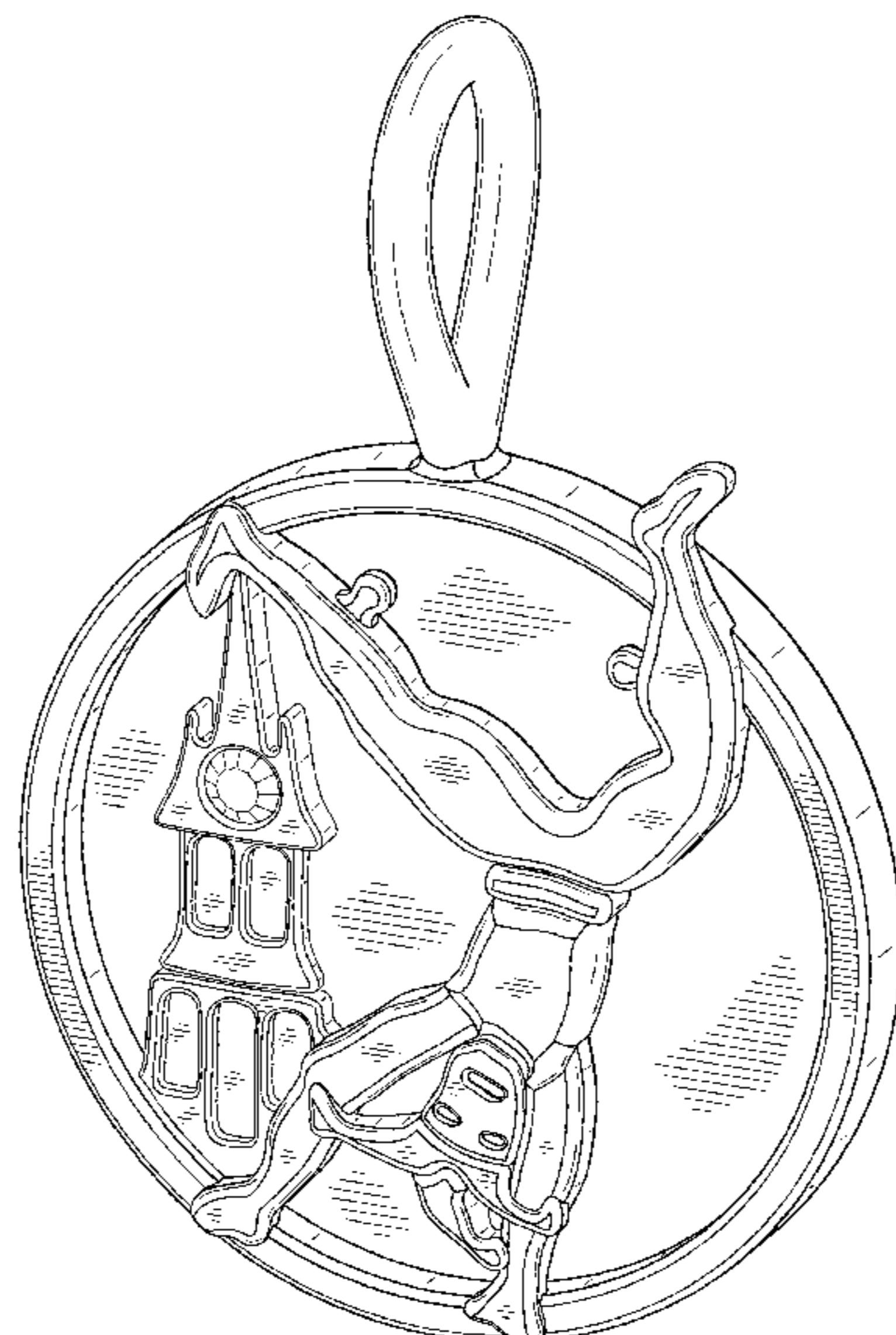
The ornamental design for a charm, as shown.

**DESCRIPTION**

FIG. 1 is a front right perspective view of a charm showing my new design;  
FIG. 2 is a rear left perspective view thereof;  
FIG. 3 is a front view thereof;  
FIG. 4 is a rear view thereof;  
FIG. 5 is a left side view thereof;  
FIG. 6 is a right side view thereof;  
FIG. 7 is a top view thereof; and,  
FIG. 8 is a bottom view thereof.

See application file for complete search history.

**1 Claim, 6 Drawing Sheets**



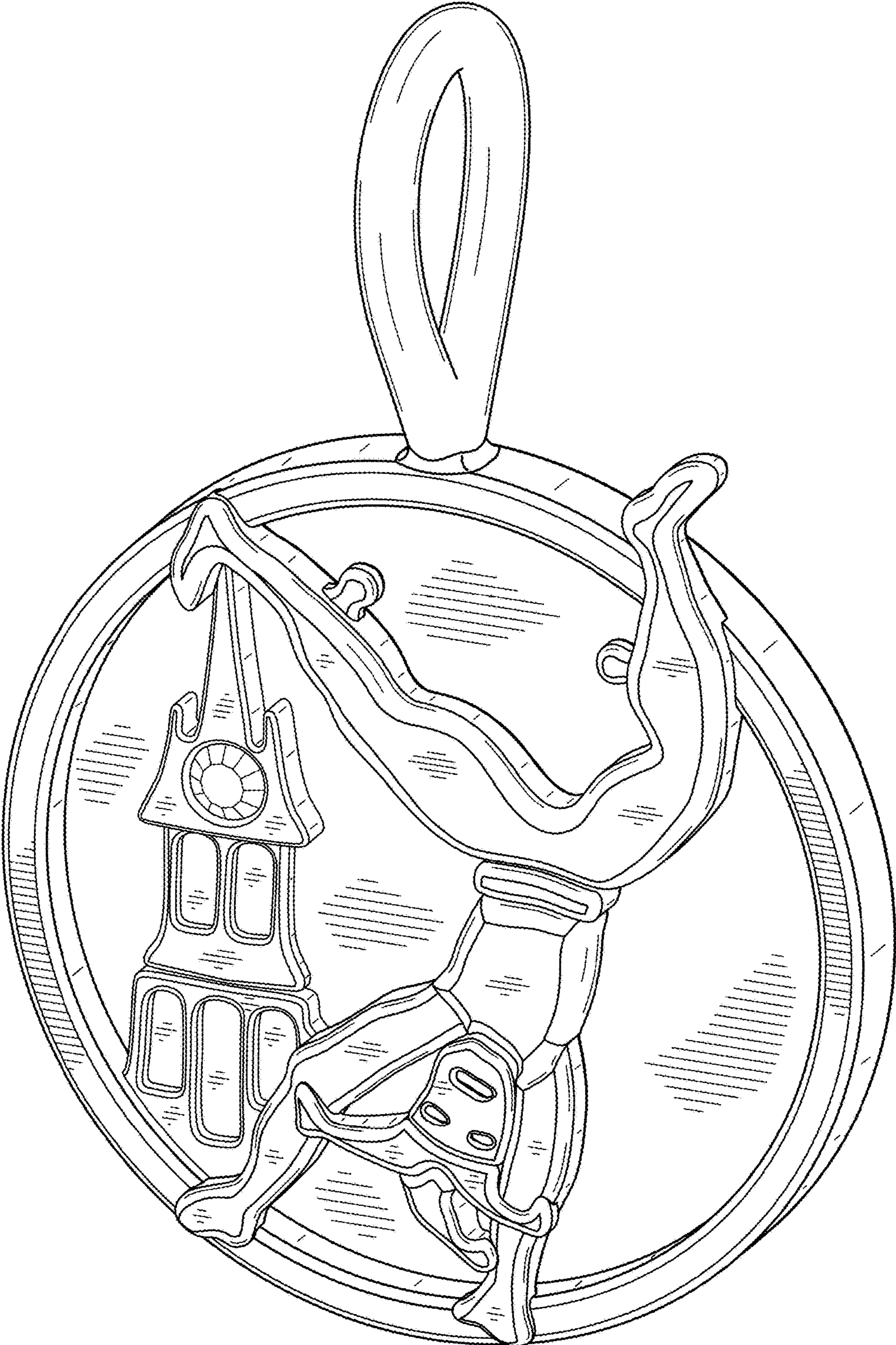


FIG. 1

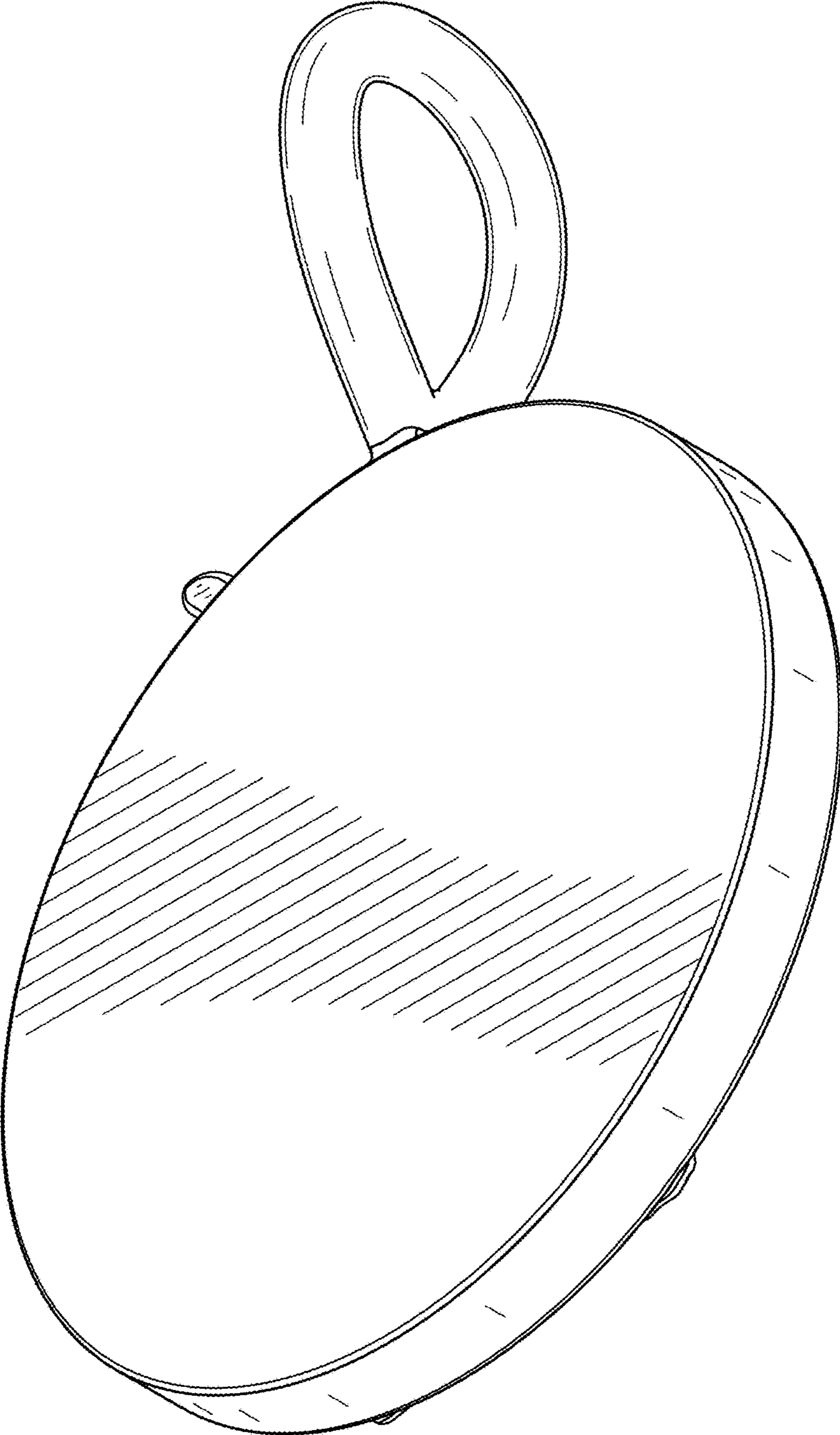


FIG. 2



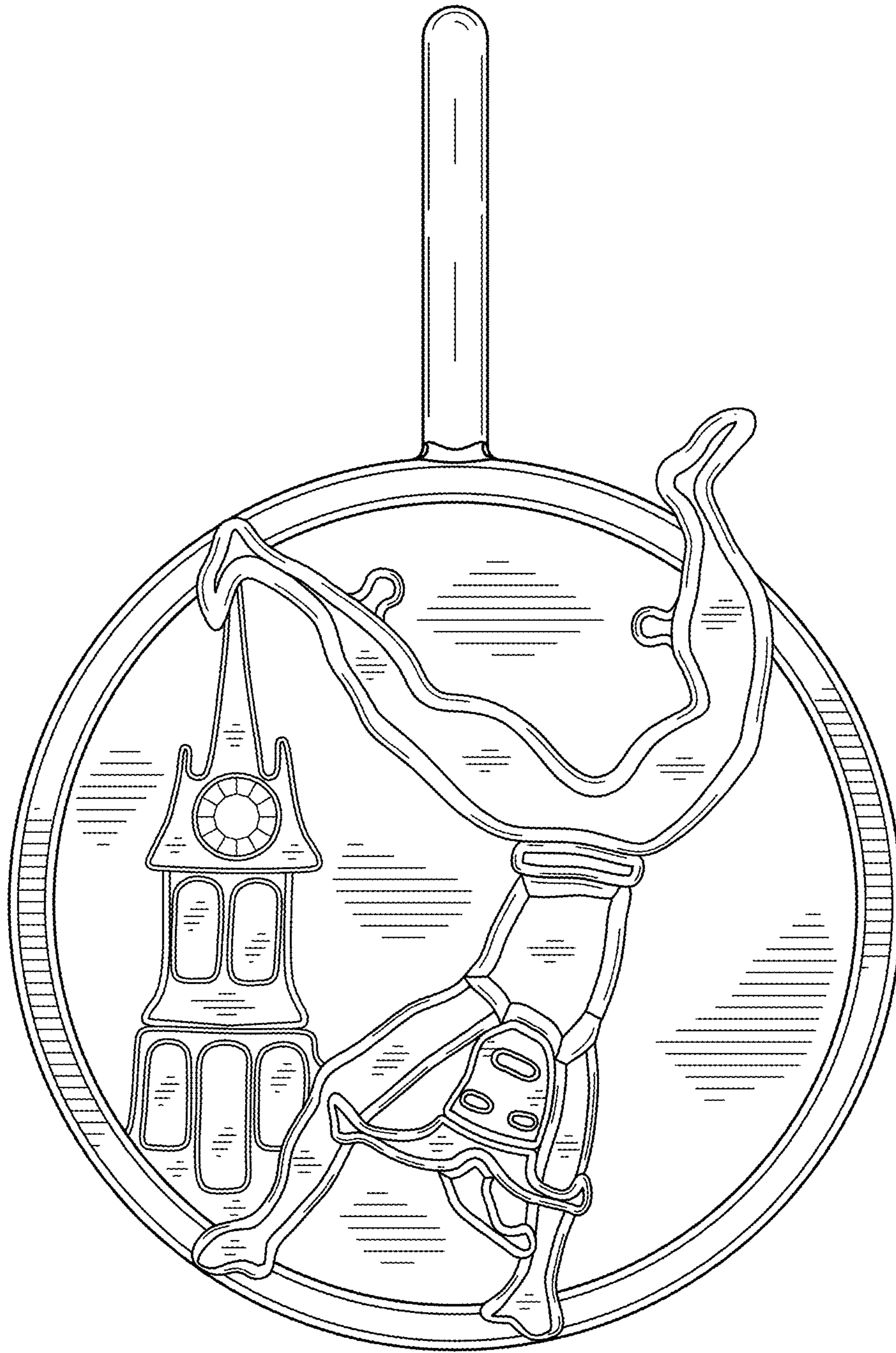


FIG. 3

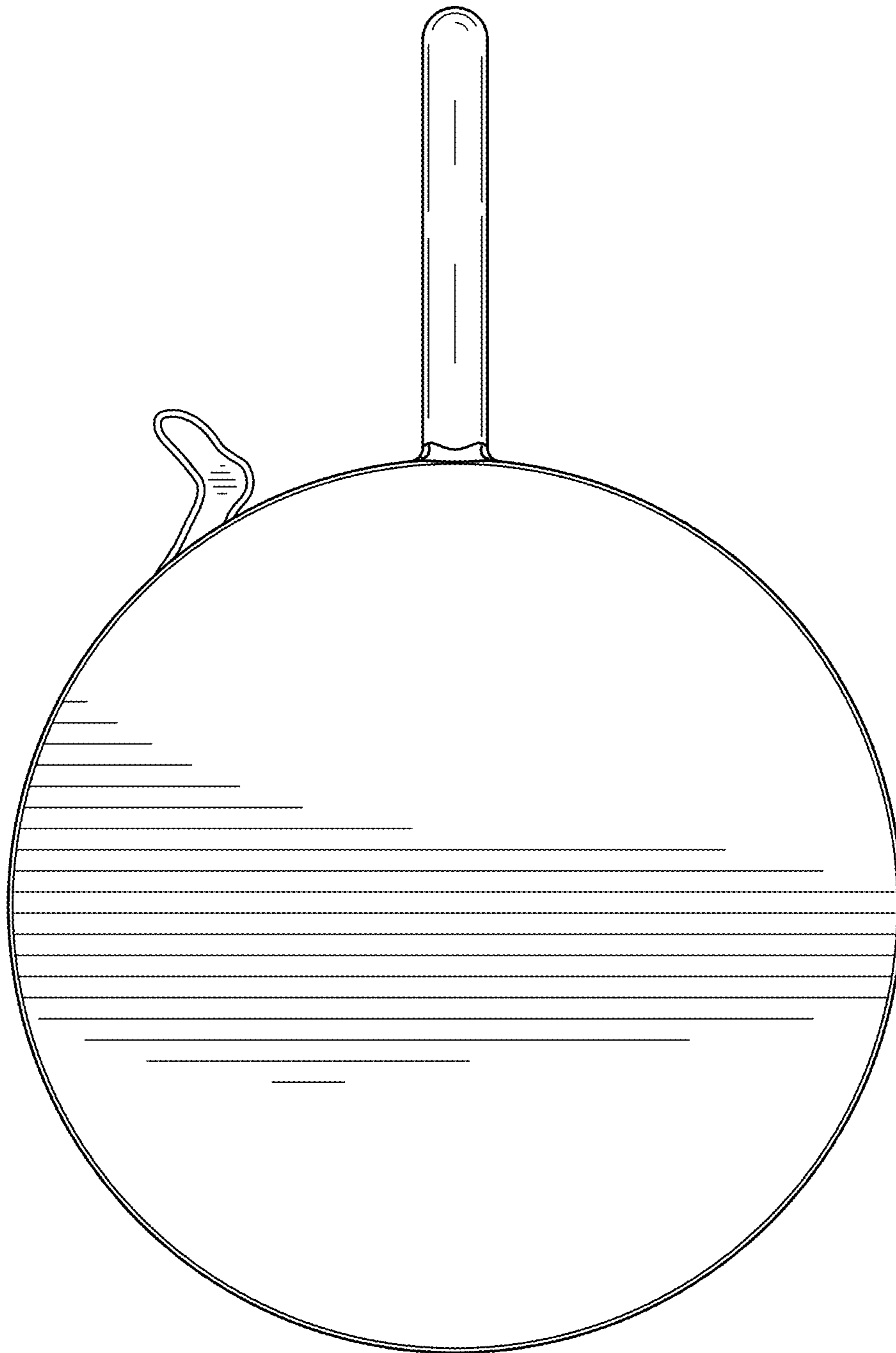


FIG. 4

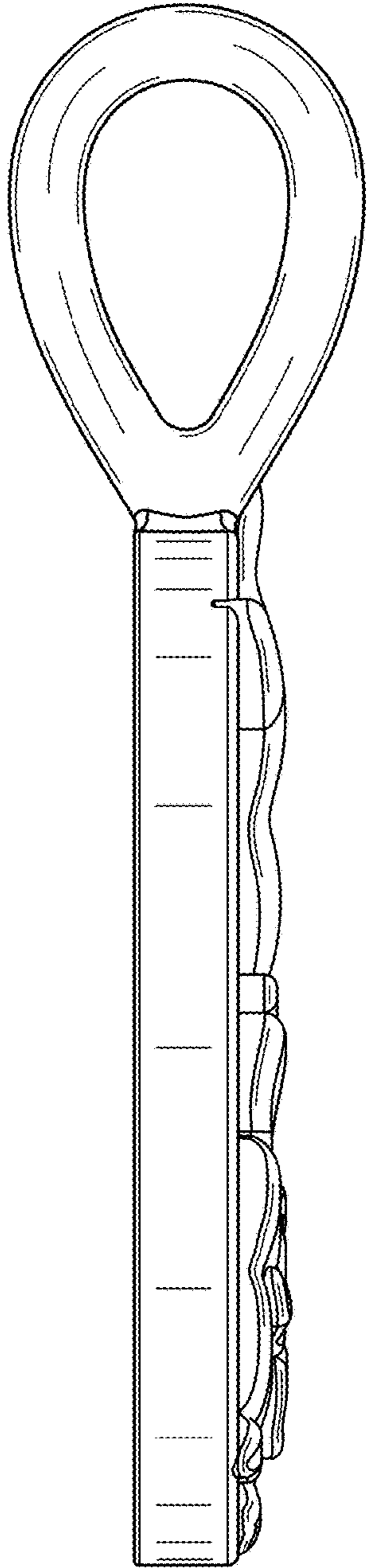


FIG. 5

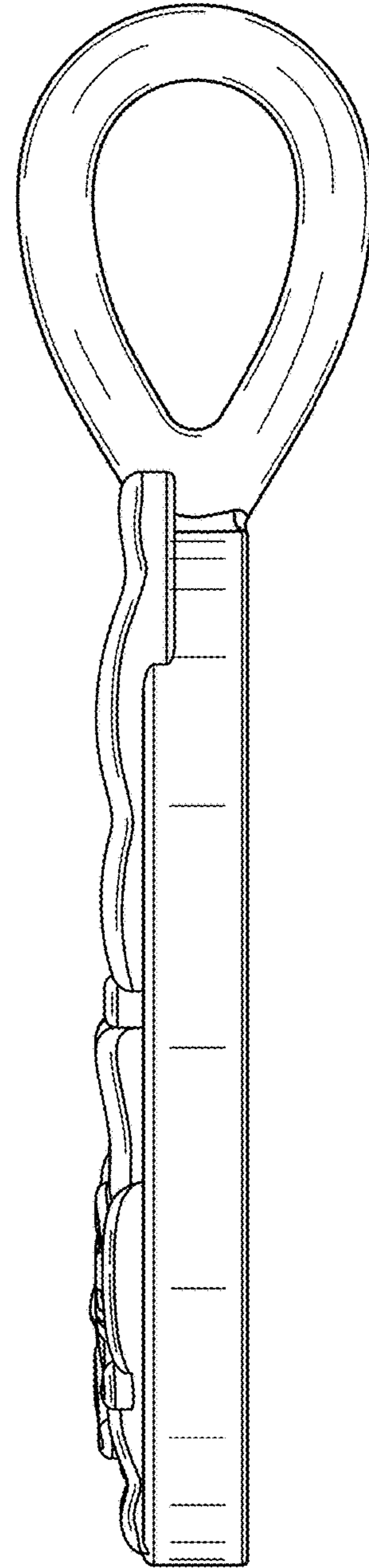


FIG. 6

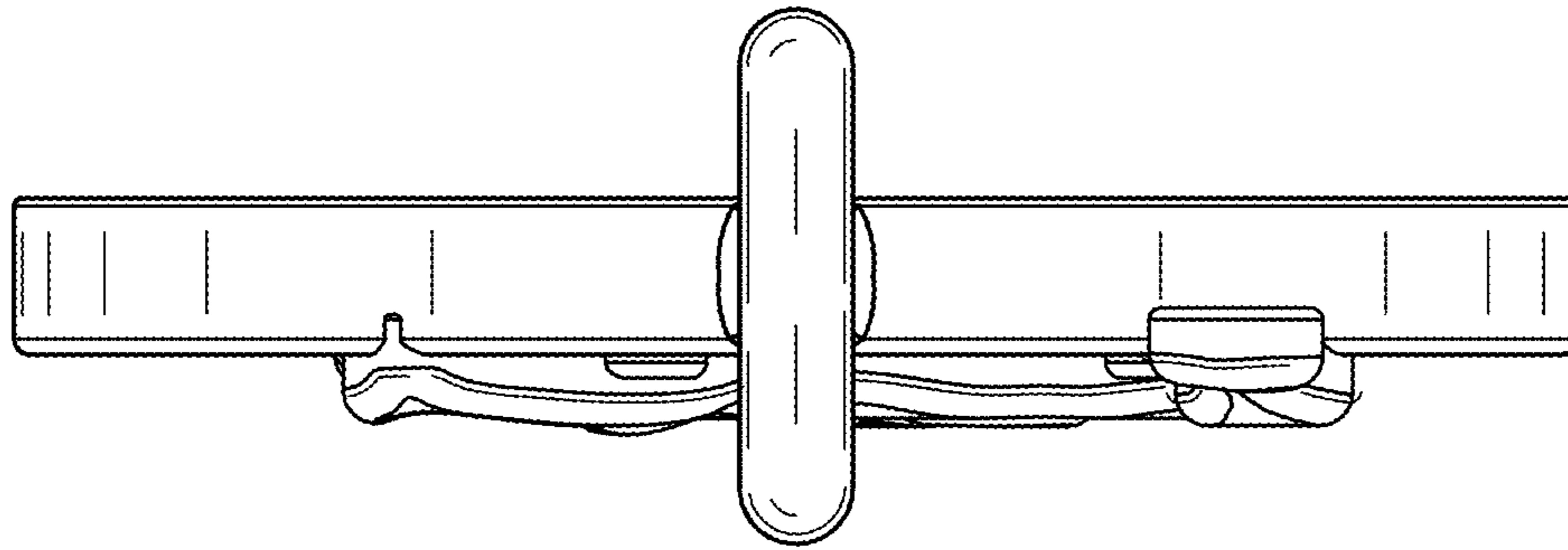


FIG. 7

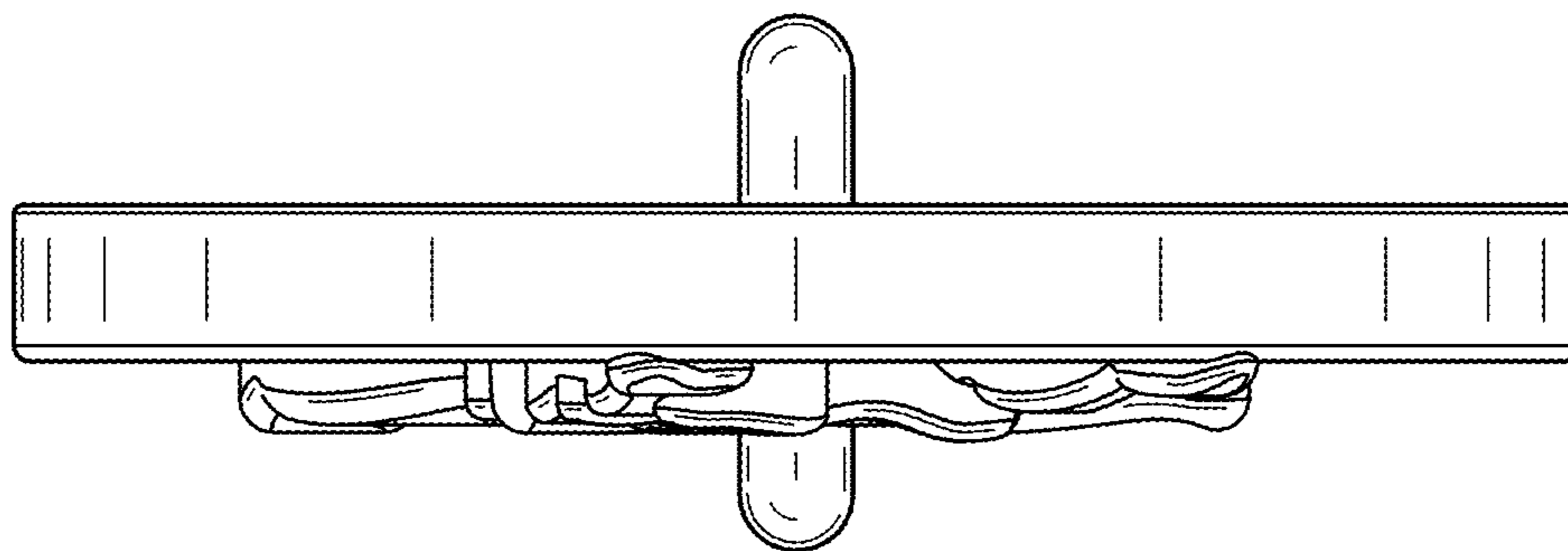


FIG. 8