



US00D780051S

(12) **United States Design Patent** (10) **Patent No.:** **US D780,051 S**
Riviere (45) **Date of Patent:** **** Feb. 28, 2017**

(54) **CHARM**

(56) **References Cited**

(71) Applicant: **HARRY WINSTON SA,**
Plan-les-Ouates (CH)
(72) Inventor: **Dominique Riviere,** New York, NY
(US)
(73) Assignee: **HARRY WINSTON SA,**
Plan-les-Ouates (CH)

U.S. PATENT DOCUMENTS

D139,375 S * 11/1944 Barbieri D11/49
D247,883 S * 5/1978 Krecic D11/49
D247,886 S * 5/1978 Krecic D11/49
D273,474 S * 4/1984 Martignette D11/100
D273,476 S * 4/1984 Martignette D11/105
D273,478 S * 4/1984 Martignette D11/105
D274,417 S * 6/1984 Capodilupo D11/105
D457,460 S * 5/2002 Bahnke D11/82

(**) Term: **15 Years**

OTHER PUBLICATIONS

(21) Appl. No.: **29/557,441**
(22) Filed: **Mar. 9, 2016**

[Online] <http://agaunews.com/wp-content/uploads/2014/04/2014-HELV-CAPRICON-REV.jpg>. Retrieved Nov. 9, 2016.*
[Online] <https://webshop.cashconverters.com.au/thumbnail/425x260/1600077-9-carat-yellow-gold-with-sterling-silver-capri-corn-pendant-0.jpg>. Retrieved Nov. 9, 2016.*

(30) **Foreign Application Priority Data**

Sep. 9, 2015 (WO) DM/087 582

(51) **LOC (10) Cl.** **11-01**
(52) **U.S. Cl.**
USPC **D11/82**

* cited by examiner

Primary Examiner — Melanie Pellegrini
(74) *Attorney, Agent, or Firm* — Donald J. Ranft; Collen IP

(58) **Field of Classification Search**
USPC D11/1, 2, 40–44, 48, 49, 79–86, 70, 50,
D11/53, 57, 66, 67, 75, 76, 77, 95, 97,
D11/98,
D11/99, 100, 101, 10, 106, 121, 125, 127,
D11/128, 91, 92, 7, 8
CPC .. A44C 1/00; A44C 3/00; A44C 3/001; A44C
3/002; A44C 3/004; A44C 3/005; A44C
3/007; A44C 3/008; A44C 7/00; A44C
7/001; A44C 7/002; A44C 7/003; A44C
7/004; A44C 21/00; A44C 23/00; A44C
25/00; A44C 25/001; A44C 25/002; A44C
25/004; A44C 25/005; A44C 25/007;
A44C 25/008; A44C 17/02; A44C
17/0208

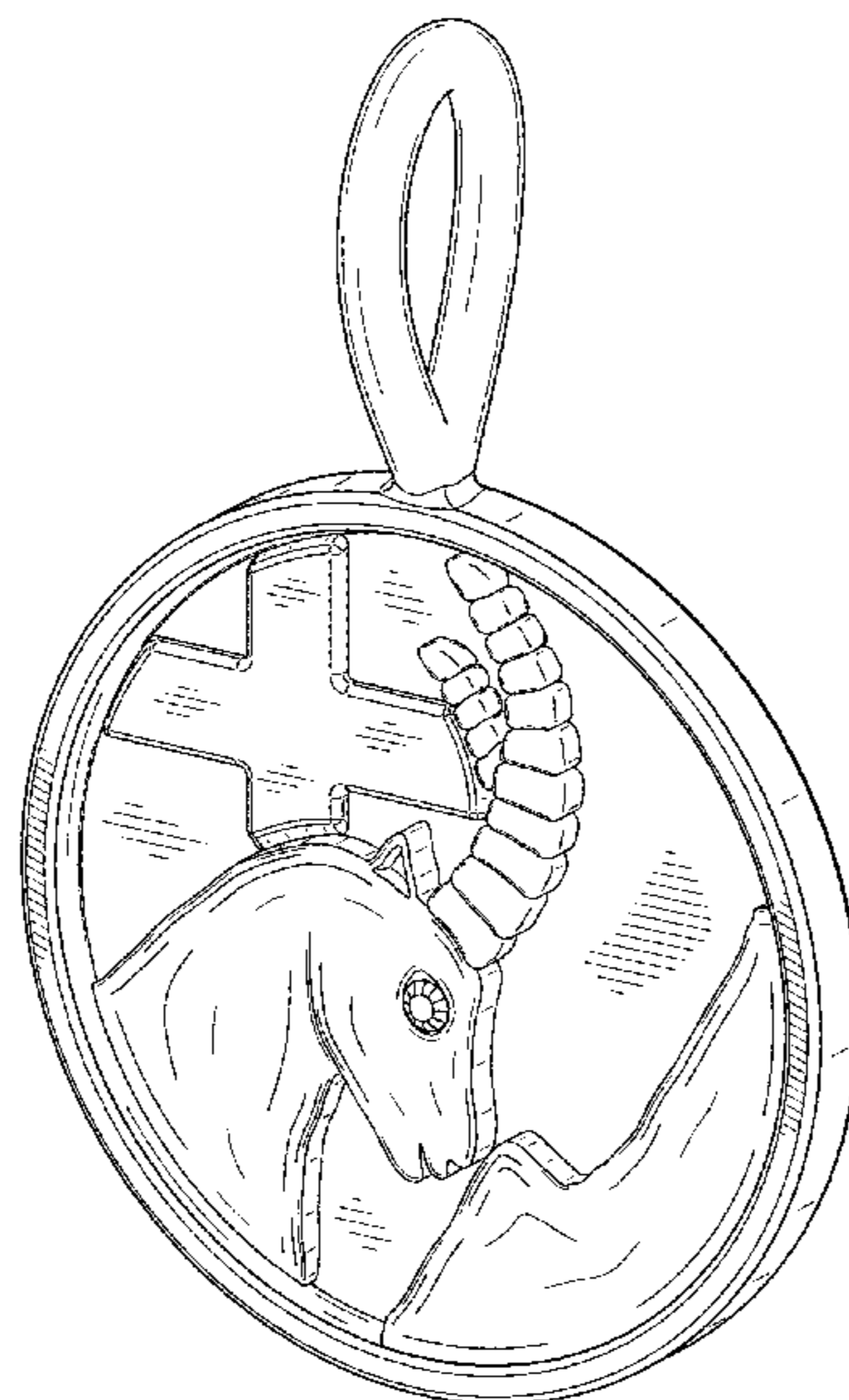
(57) **CLAIM**
The ornamental design for a charm, as shown.

DESCRIPTION

FIG. 1 is a front right perspective view of a charm showing my new design;
FIG. 2 is a rear left perspective view thereof;
FIG. 3 is a front view thereof;
FIG. 4 is a rear view thereof;
FIG. 5 is a left side view thereof;
FIG. 6 is a right side view thereof;
FIG. 7 is a top view thereof; and,
FIG. 8 is a bottom view thereof.

See application file for complete search history.

1 Claim, 6 Drawing Sheets



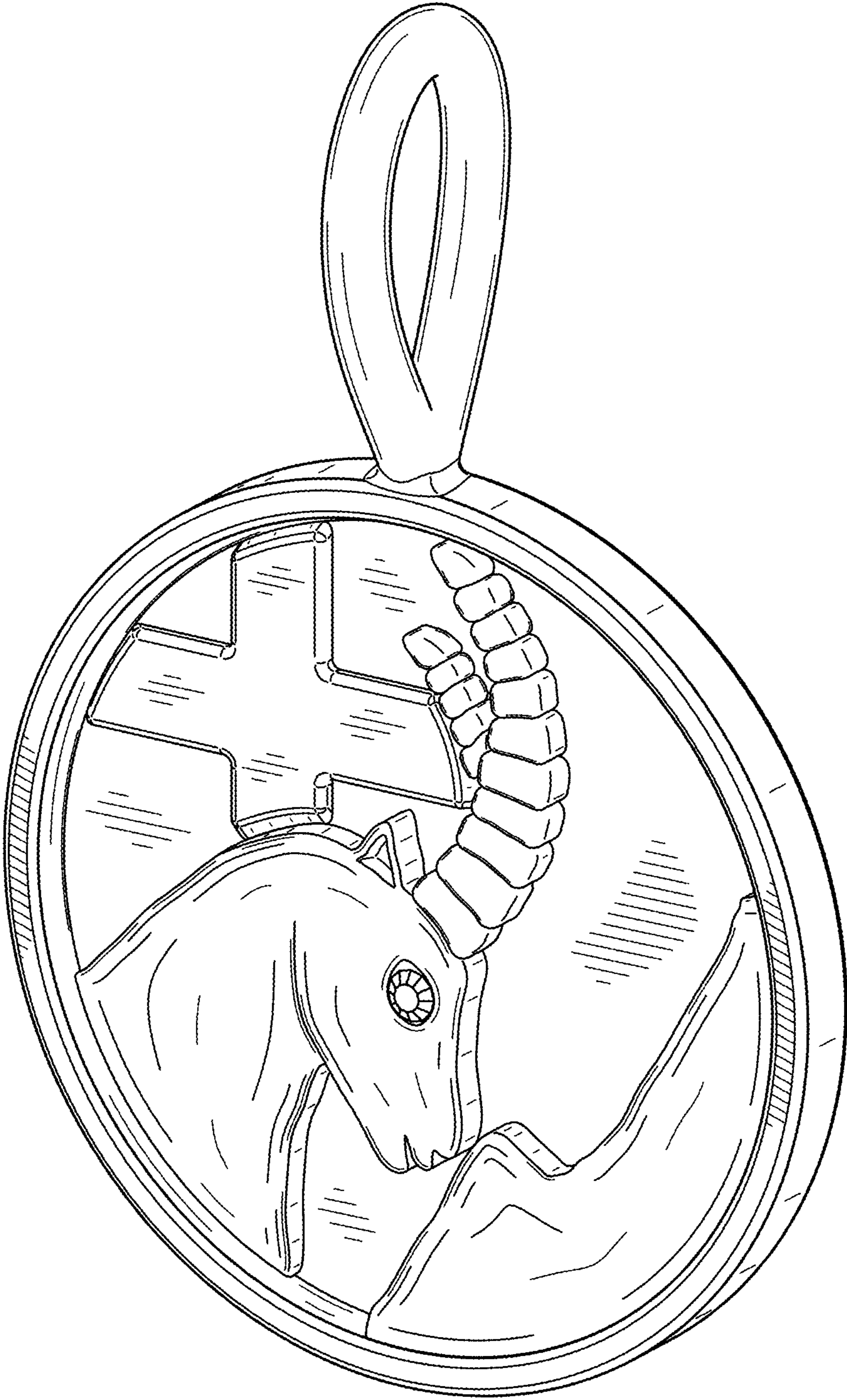


FIG. 1

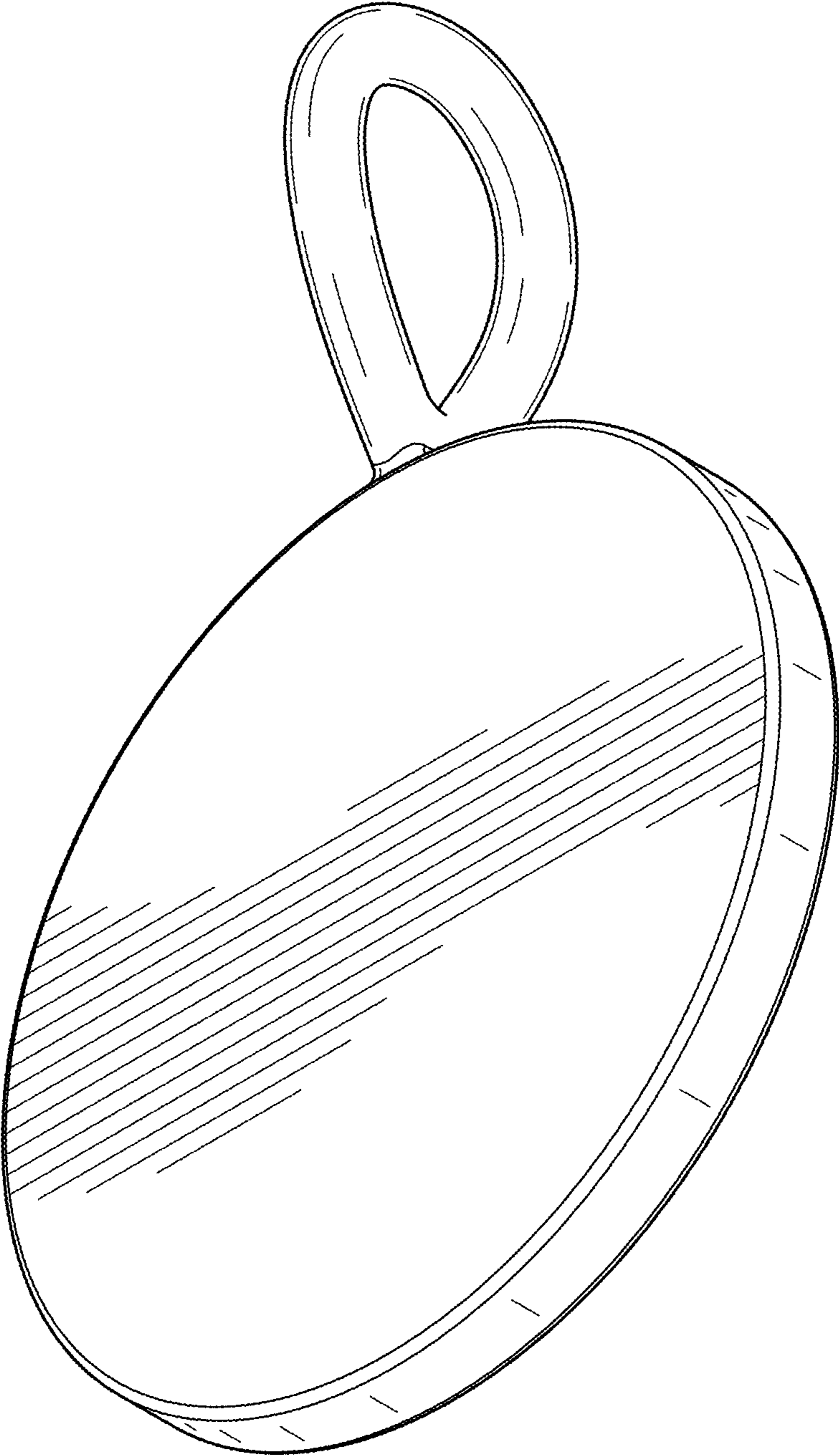


FIG. 2

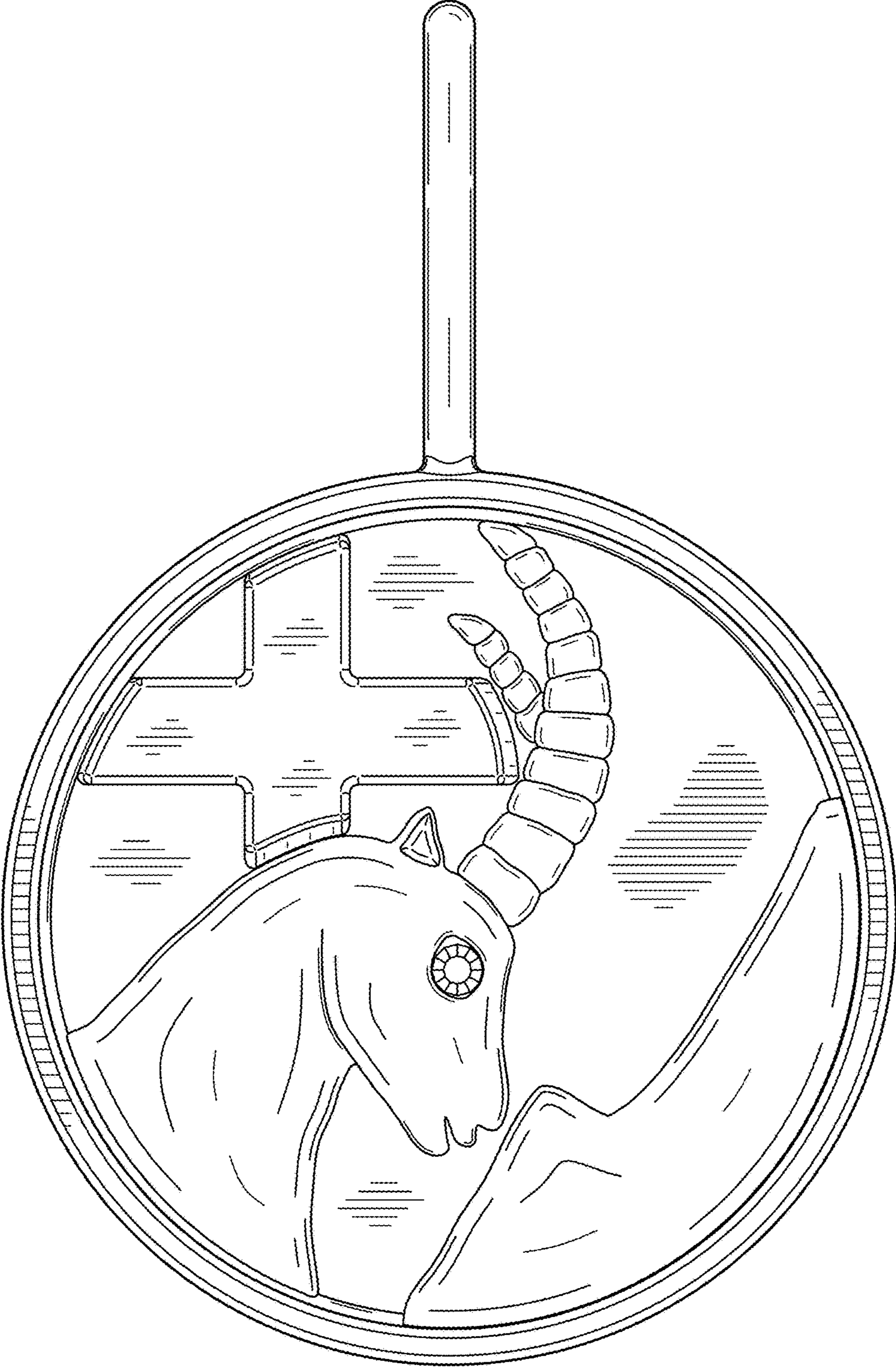


FIG. 3

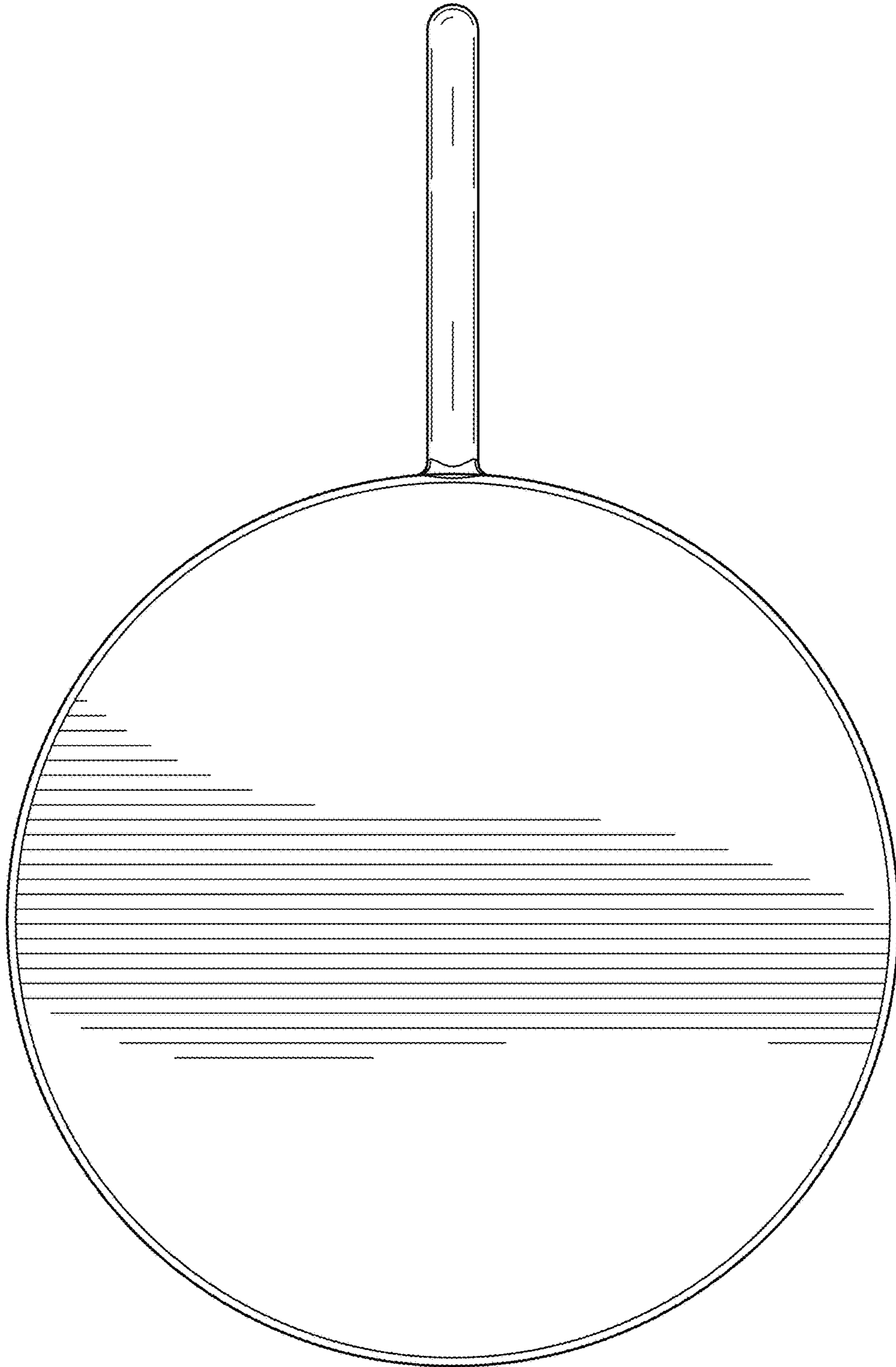


FIG. 4

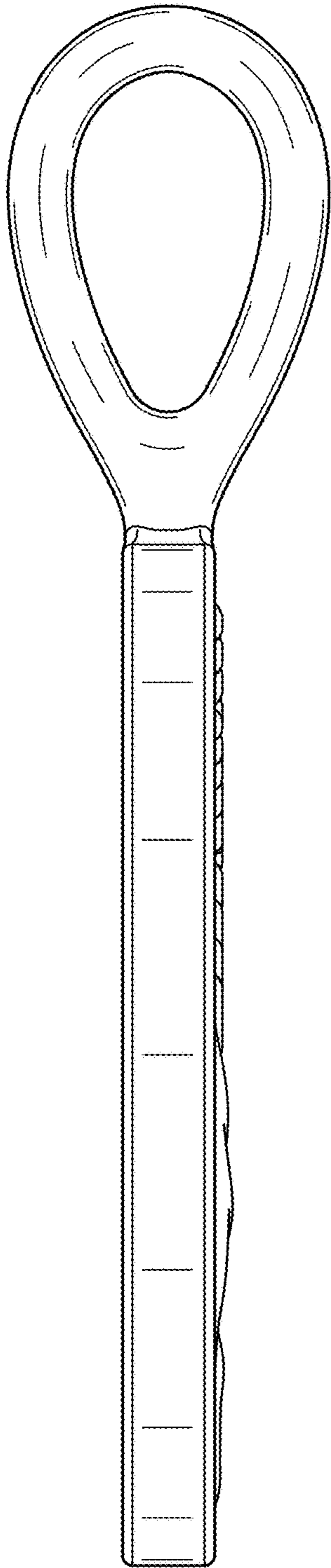


FIG. 5

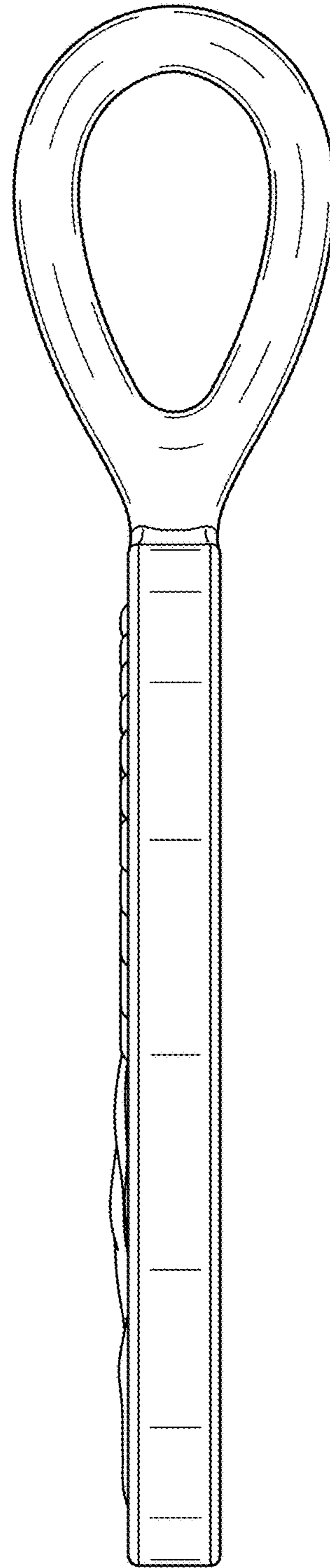


FIG. 6

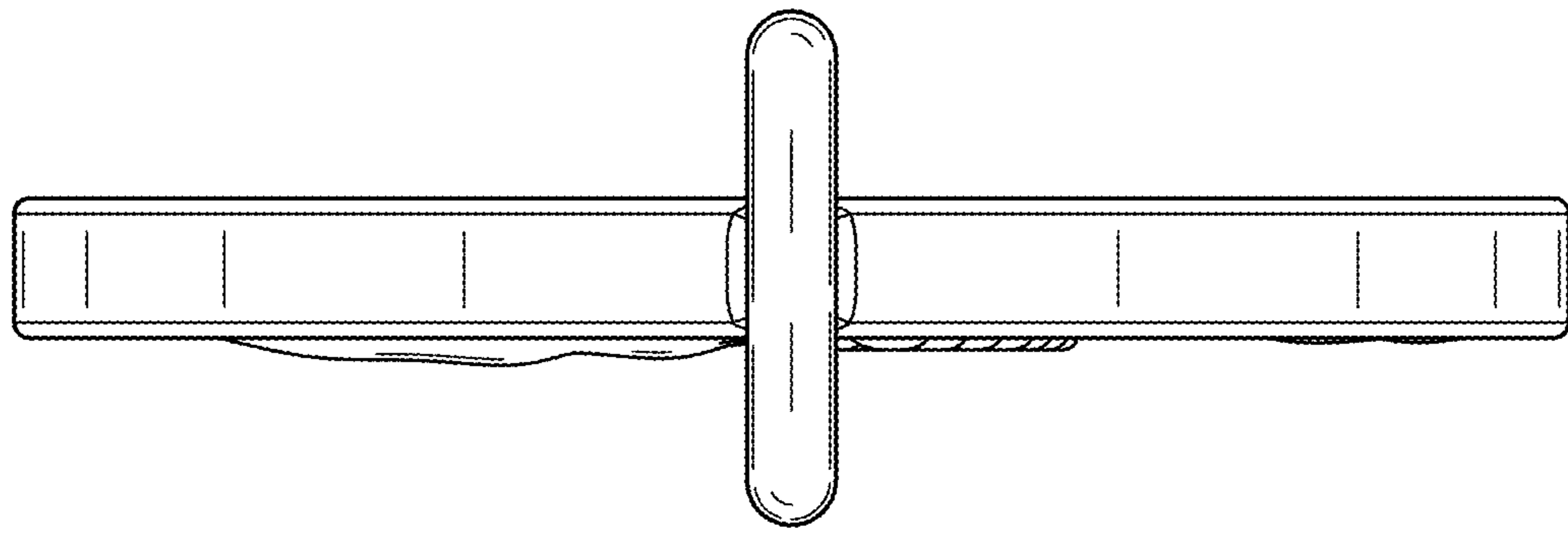


FIG. 7

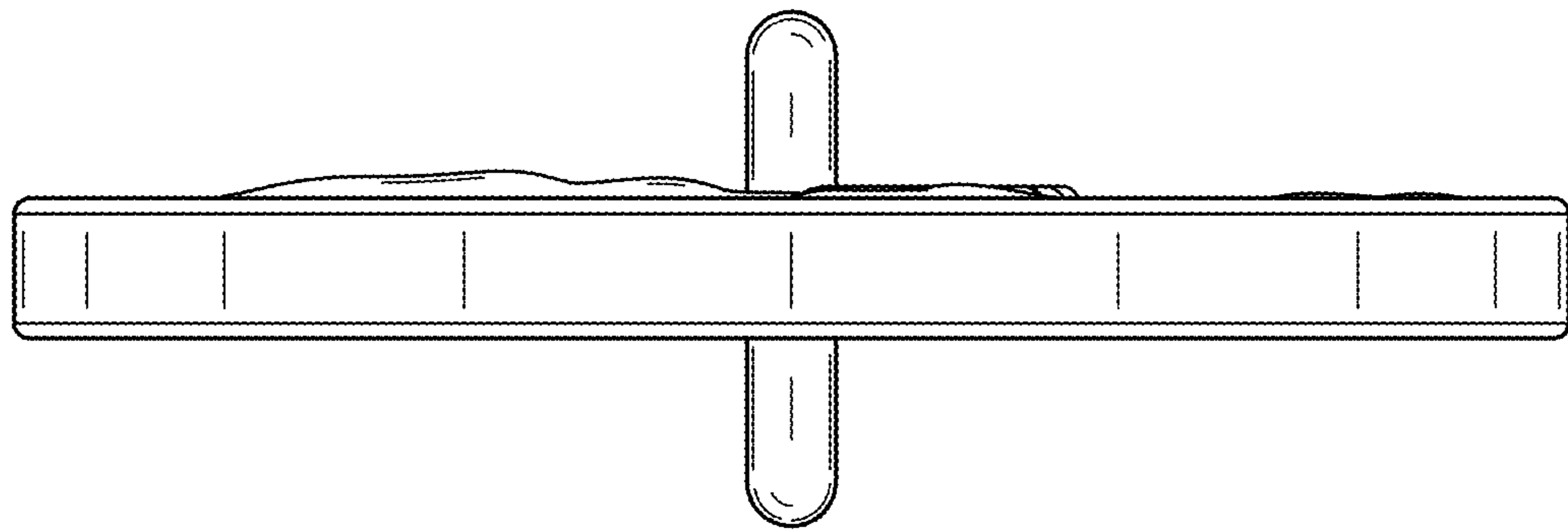


FIG. 8