



US00D780049S

(12) **United States Design Patent** (10) **Patent No.:** **US D780,049 S**
Yatsugi-Kang (45) **Date of Patent:** **** Feb. 28, 2017**

(54) **CHARM**

A44C 25/008; A44C 17/02; A44C 17/0208

(71) Applicant: **HARRY WINSTON SA,**
Plan-les-Ouates (CH)

See application file for complete search history.

(72) Inventor: **Rie Yatsugi-Kang,** Cresskill, NJ (US)

(56) **References Cited**

(73) Assignee: **HARRY WINSTON SA,**
Plan-les-Ouates (CH)

U.S. PATENT DOCUMENTS

(**) Term: **15 Years**

(21) Appl. No.: **29/557,436**

| | | | | | | |
|----------|---|---|---------|--------------|-------|-------------|
| 247,556 | A | * | 9/1881 | Goldsmith | | A44C 25/004 |
| | | | | | | 40/1.5 |
| D262,074 | S | * | 12/1981 | Schnabel | | D3/292 |
| D288,863 | S | * | 3/1987 | Vuitton | | D3/289 |
| D302,957 | S | * | 8/1989 | Saxon | | D11/80 |
| D311,819 | S | * | 11/1990 | Takeuchi | | D3/292 |
| D464,287 | S | * | 10/2002 | Potter | | D11/91 |
| D474,127 | S | * | 5/2003 | Potter | | D11/81 |
| D516,456 | S | * | 3/2006 | Tsui | | D11/81 |
| D518,293 | S | * | 4/2006 | Lam | | A45C 7/0086 |
| | | | | | | D3/273 |
| D719,052 | S | * | 12/2014 | Yatsugi-Kang | | D11/81 |
| D758,070 | S | * | 6/2016 | Frohlich | | D3/232 |

(22) Filed: **Mar. 9, 2016**

(30) **Foreign Application Priority Data**

Sep. 9, 2015 (WO) DM/087 582

(51) **LOC (10) Cl.** **11-01**

(52) **U.S. Cl.**
USPC **D11/81**

(58) **Field of Classification Search**
USPC D11/1, 2, 40-44, 79-86, 70, 49, 50, 53,
D11/57, 66, 67, 75, 76, 77, 95, 97, 98,
99,
D11/100, 101, 105, 106, 121, 125, 127,
D11/128, 91, 92, 7, 8; D3/289, 232, 292,
D3/900, 276

CPC .. A44C 1/00; A44C 3/00; A44C 3/001; A44C 3/002; A44C 3/004; A44C 3/005; A44C 3/007; A44C 3/008; A44C 7/00; A44C 7/001; A44C 7/002; A44C 7/003; A44C 7/004; A44C 21/00; A44C 23/00; A44C 25/00; A44C 25/001; A44C 25/002; A44C 25/004; A44C 25/005; A44C 25/007;

OTHER PUBLICATIONS

[Online] <https://www.facebook.com/HarryWinston/photos/a.164445834782.149903.61090414782/10154501075394783/?type=3&theater>. Posted online Aug. 25, 2016. Retrieved Nov. 7, 2016.*

* cited by examiner

Primary Examiner — Melanie Pellegrini
(74) *Attorney, Agent, or Firm* — Donald J. Ranft; Collen IP

(57) **CLAIM**

The ornamental design for a charm, as shown.

DESCRIPTION

FIG. 1 is a front right perspective view of a charm showing my new design;
FIG. 2 is a rear left perspective view thereof;
FIG. 3 is a front view thereof;
FIG. 4 is a rear view thereof;
FIG. 5 is a left side view thereof;
FIG. 6 is a right side view thereof;

(Continued)

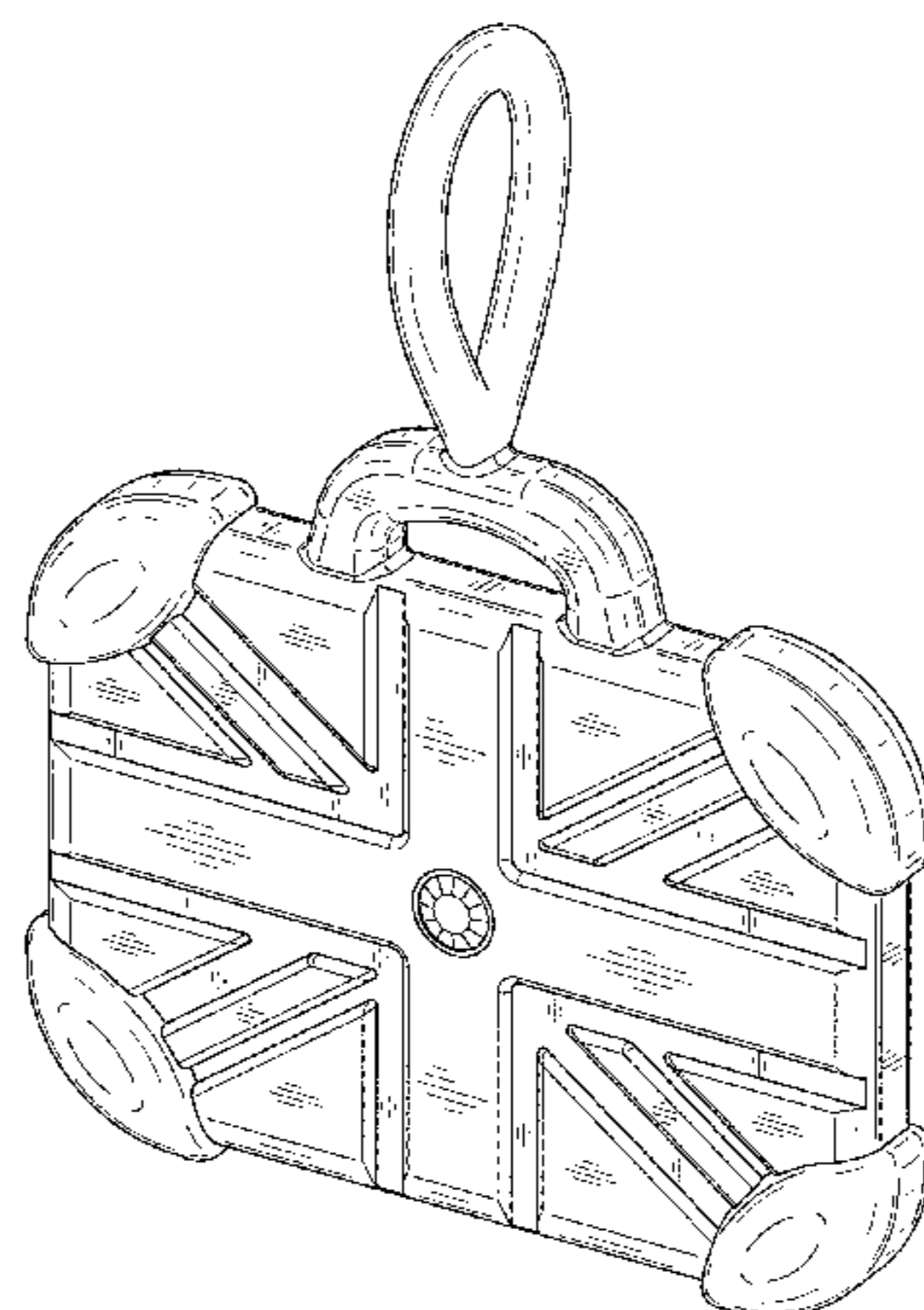


FIG. 7 is a top view thereof; and,
FIG. 8 is a bottom view thereof.

1 Claim, 6 Drawing Sheets

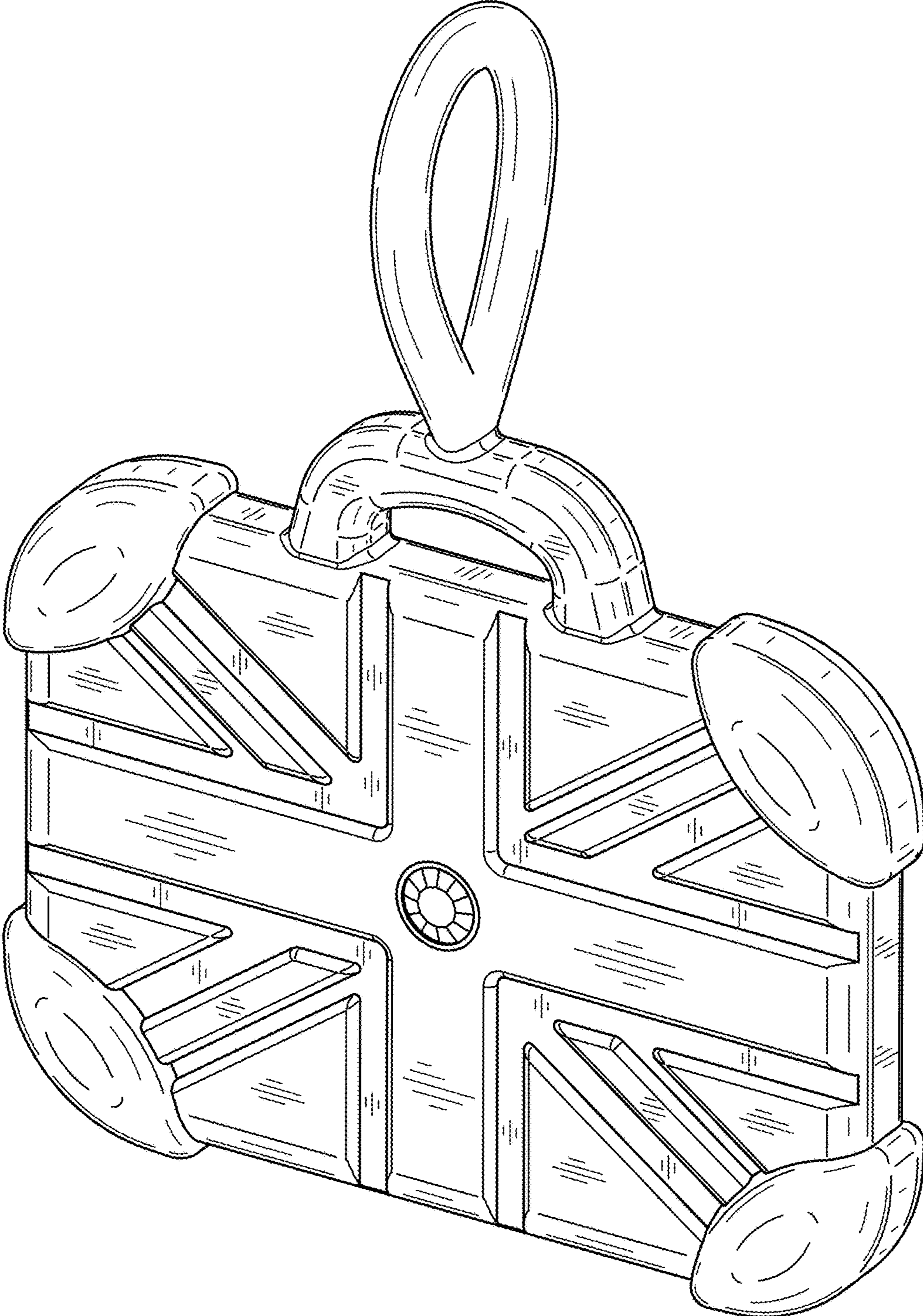


FIG. 1

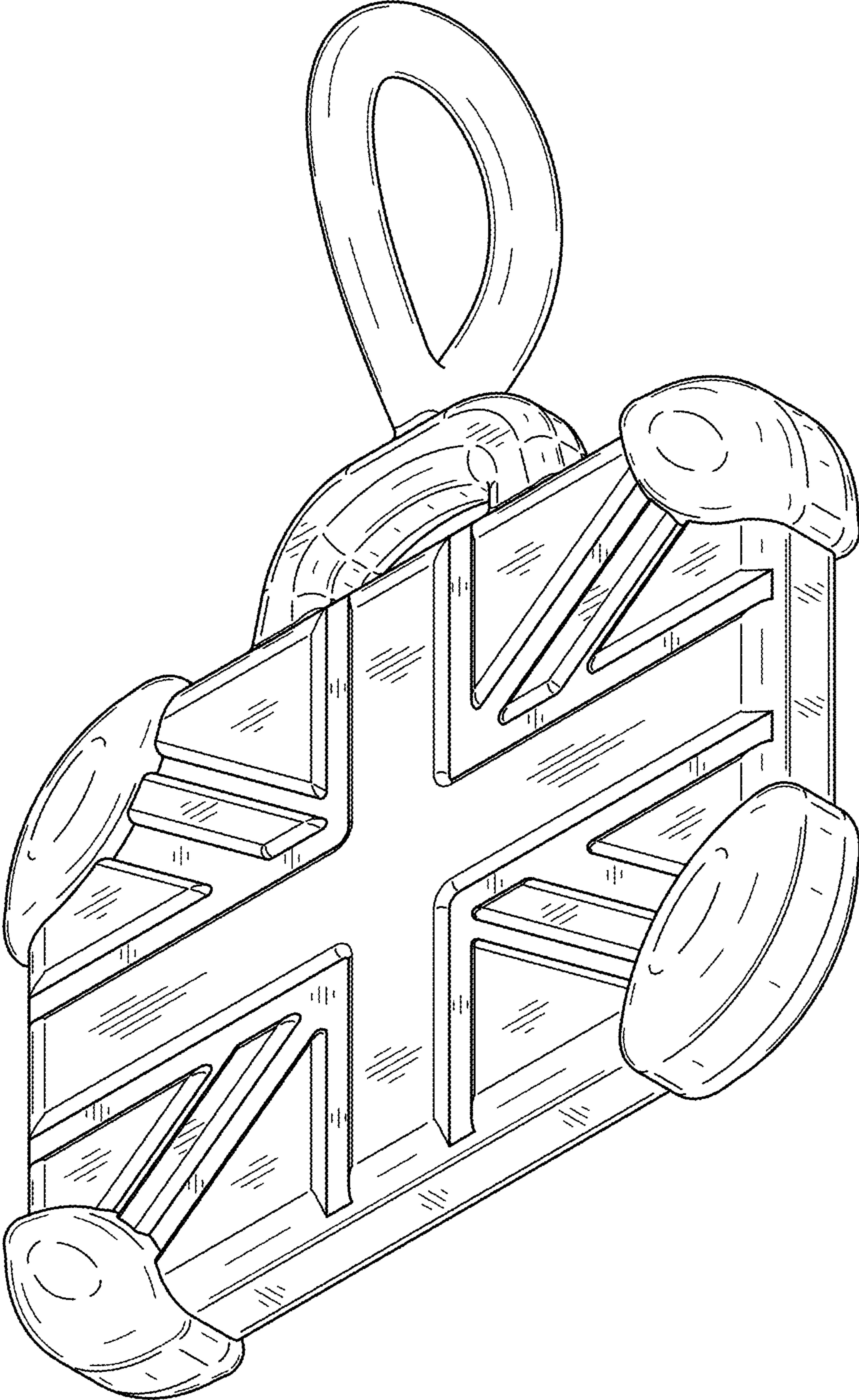


FIG. 2

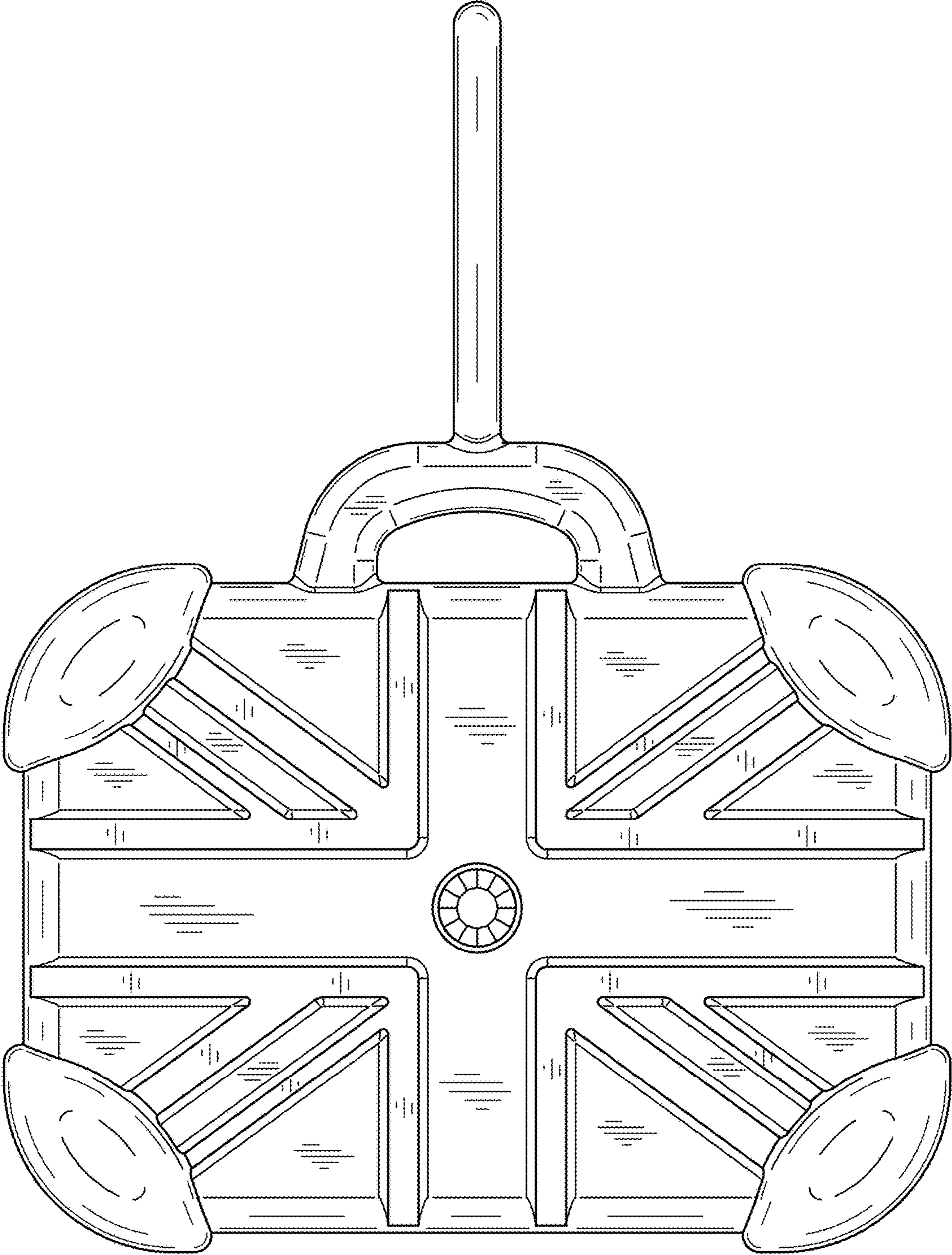


FIG. 3

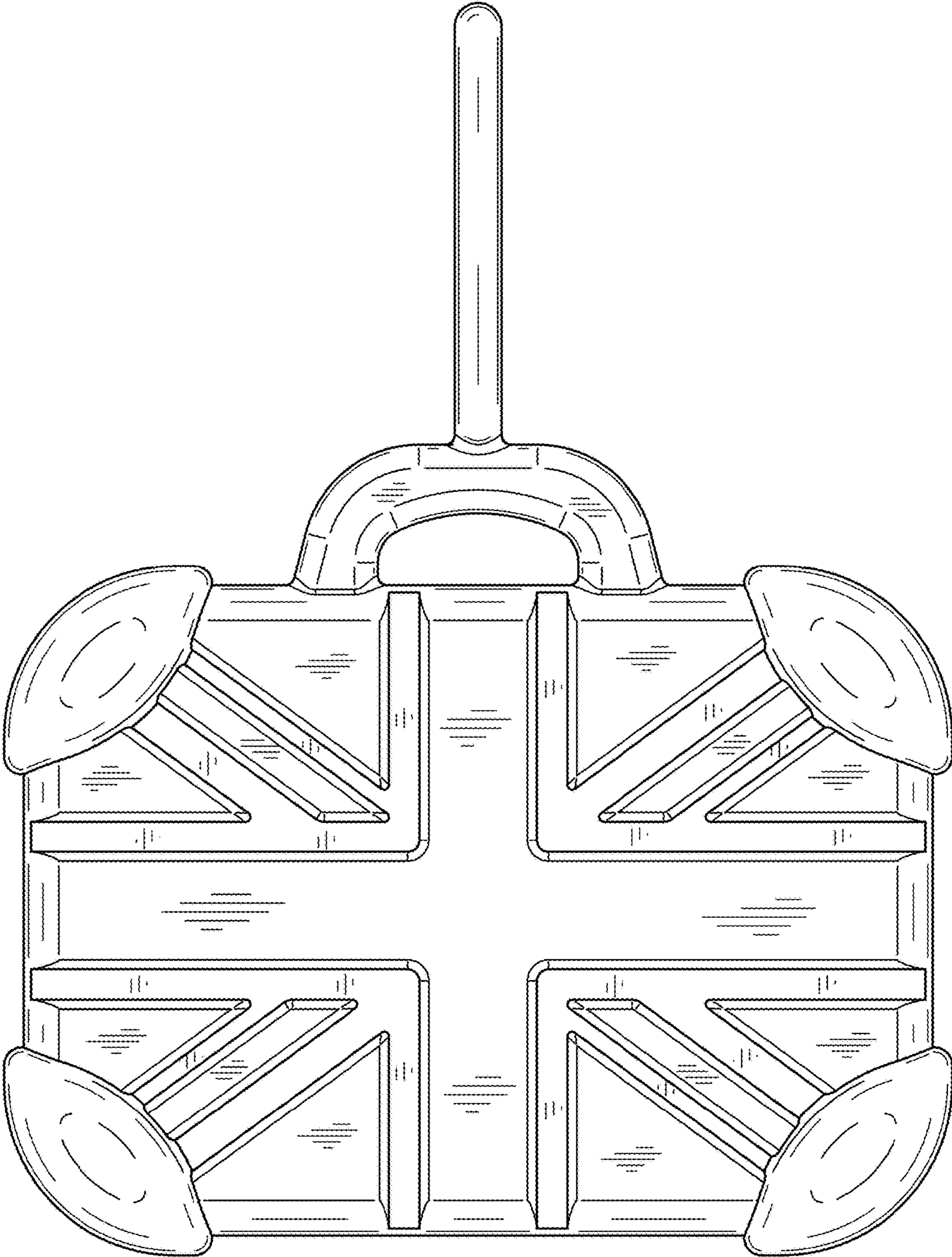


FIG. 4

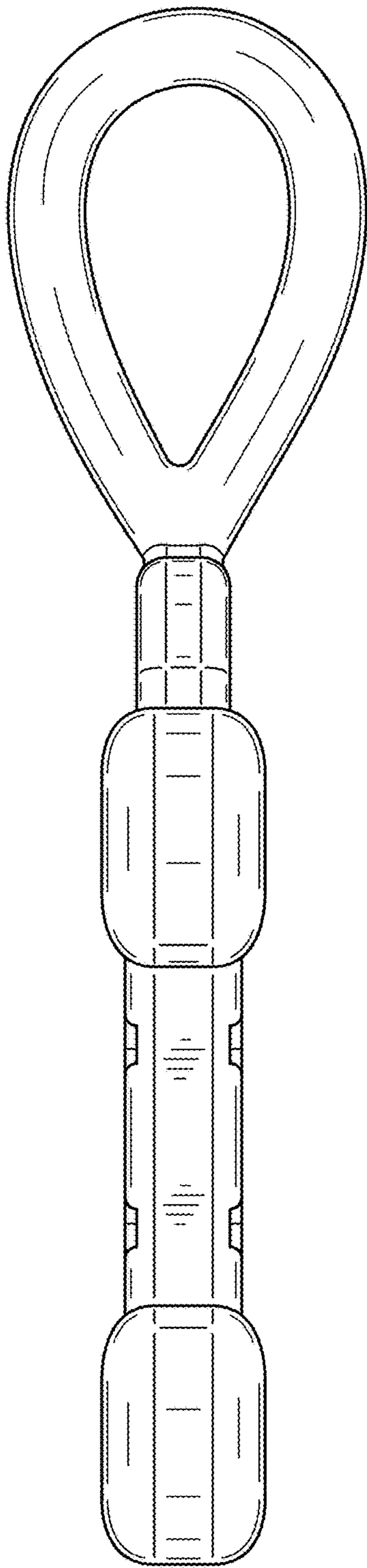


FIG. 5

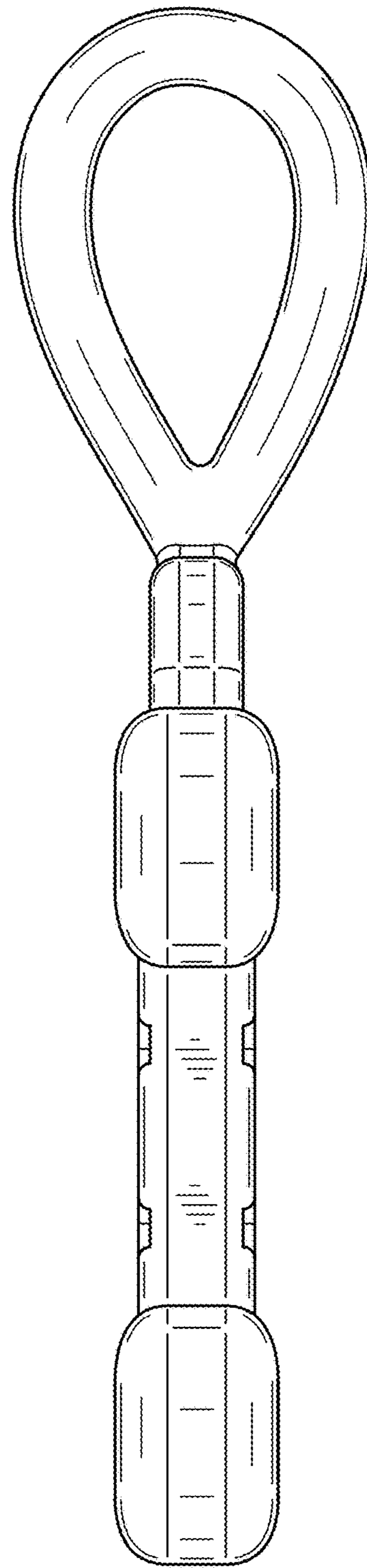


FIG. 6

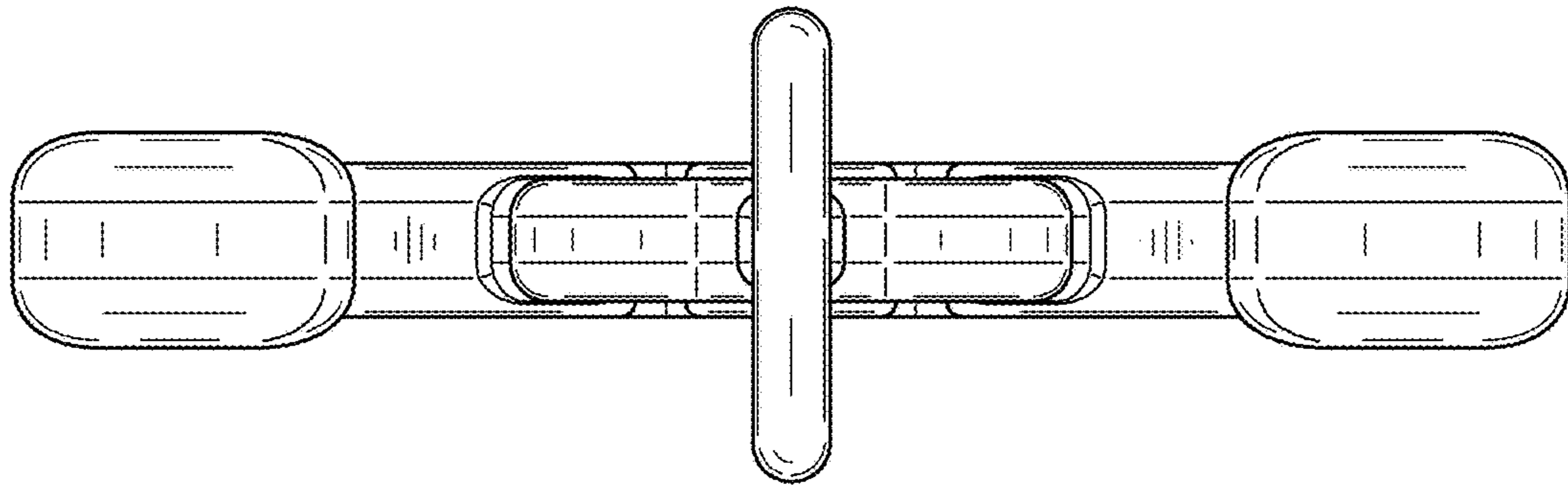


FIG. 7

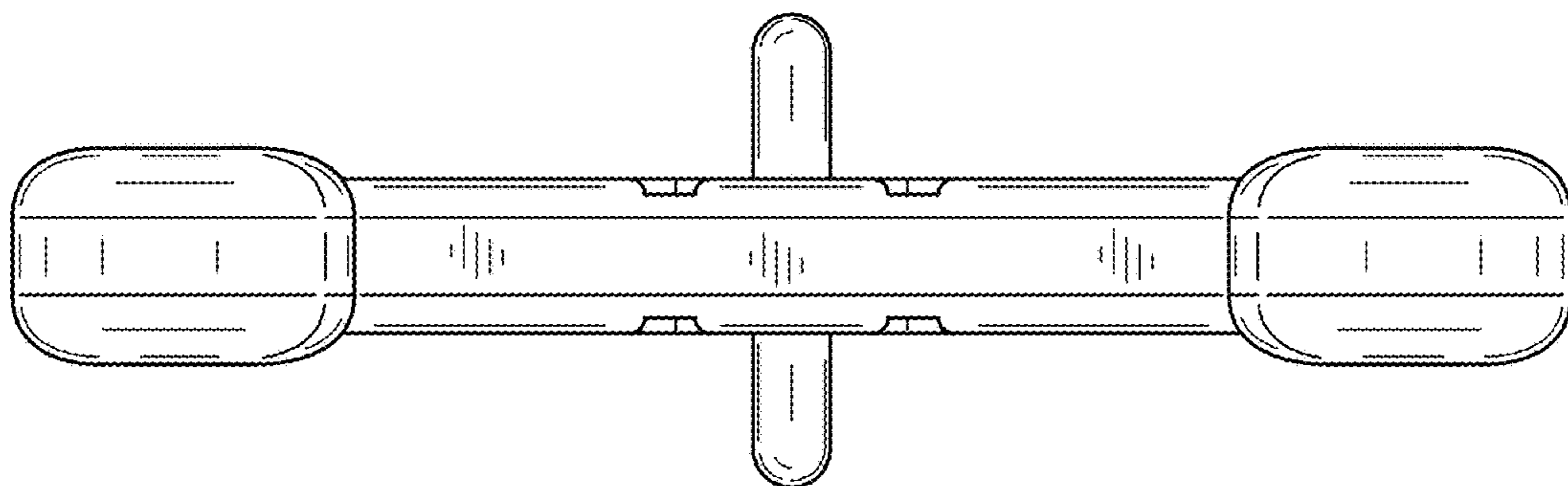


FIG. 8