



US00D780048S

(12) **United States Design Patent** (10) **Patent No.:** **US D780,048 S**
Yatsugi-Kang (45) **Date of Patent:** **** Feb. 28, 2017**

(54) **CHARM** D173,119 S * 9/1954 Lanz D11/116
D176,512 S * 1/1956 Hagedorn D11/2
(71) Applicant: **HARRY WINSTON SA,** D237,724 S * 11/1975 Garaventa D21/390
Plan-les-Ouates (CH) D383,698 S * 9/1997 Fletcher D11/40
D457,460 S * 5/2002 Bahnke D11/82
(72) Inventor: **Rie Yatsugi-Kang,** Cresskill, NJ (US) D515,147 S * 2/2006 Su D21/390
D523,910 S * 6/2006 Buckley D11/95
D523,911 S * 6/2006 Buckley D11/95
(73) Assignee: **HARRY WINSTON SA,** D595,988 S * 7/2009 Oberst D10/29
Plan-les-Ouates (CH) D715,176 S * 10/2014 Schifter D11/79
D719,050 S * 12/2014 Yatsugi-Kang D11/79

(**) Term: **15 Years**

(21) Appl. No.: **29/557,433**

(22) Filed: **Mar. 9, 2016**

(30) **Foreign Application Priority Data**

Sep. 9, 2015 (WO) DM/087 582

(51) **LOC (10) Cl.** **11-01**

(52) **U.S. Cl.**
USPC **D11/81**

(58) **Field of Classification Search**

USPC D11/1, 2, 40-44, 79-86, 70, 49, 50, 53,
D11/57, 66, 67, 75, 76, 77, 95, 97, 98,
D11/99, 100, 101, 105, 106, 121, 125,
D11/127, 128, 91, 92, 7, 8; D21/390
CPC .. A44C 1/00; A44C 3/00; A44C 3/001; A44C
3/002; A44C 3/004; A44C 3/005; A44C
3/007; A44C 3/008; A44C 7/00; A44C
7/001; A44C 7/002; A44C 7/003; A44C
7/004; A44C 21/00; A44C 23/00; A44C
25/00; A44C 25/001; A44C 25/002; A44C
25/004; A44C 25/005; A44C 25/007;
A44C 25/008; A44C 17/02; A44C
17/0208; A63F 2001/005; G07F 1/06;
G07F 17/32

See application file for complete search history.

(56) **References Cited**

U.S. PATENT DOCUMENTS

D149,613 S * 5/1948 Caestecker D21/390

OTHER PUBLICATIONS

[Online] <http://www.jewelryweb.com/main/ws166792.jpg>.
Retrieved Nov. 9, 2016.*

* cited by examiner

Primary Examiner — Melanie Pellegrini

(74) *Attorney, Agent, or Firm* — Donald J. Ranft; Collen
IP

(57) **CLAIM**

The ornamental design for a charm, as shown.

DESCRIPTION

FIG. 1 is a front right perspective view of charm showing my
new design;
FIG. 2 is a rear left perspective view thereof;
FIG. 3 is a front view thereof;
FIG. 4 is a rear view thereof;
FIG. 5 is a left side view thereof;
FIG. 6 is a right side view thereof;
FIG. 7 is a top view thereof; and,
FIG. 8 is a bottom view thereof.

1 Claim, 6 Drawing Sheets

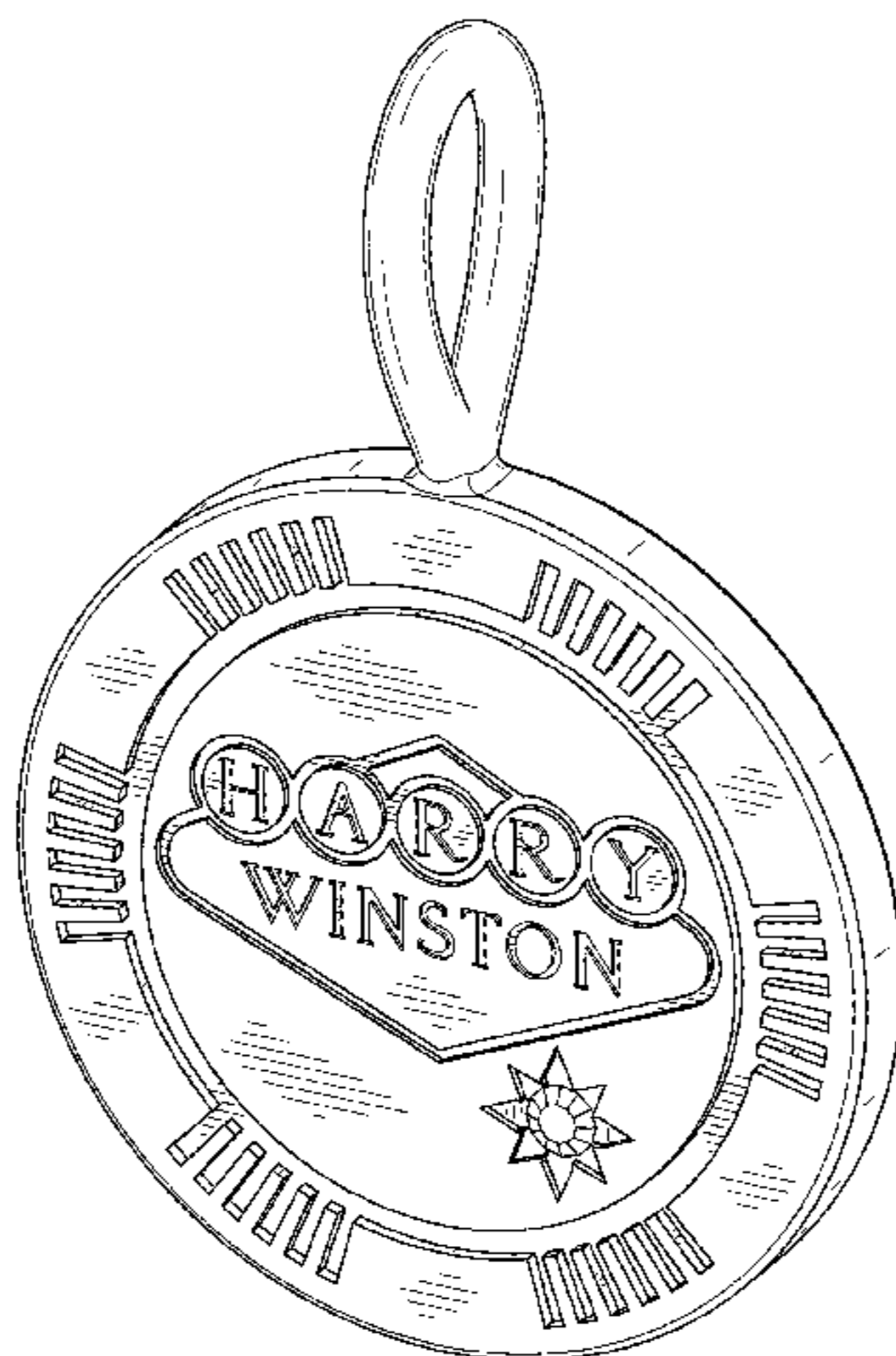




FIG. 1

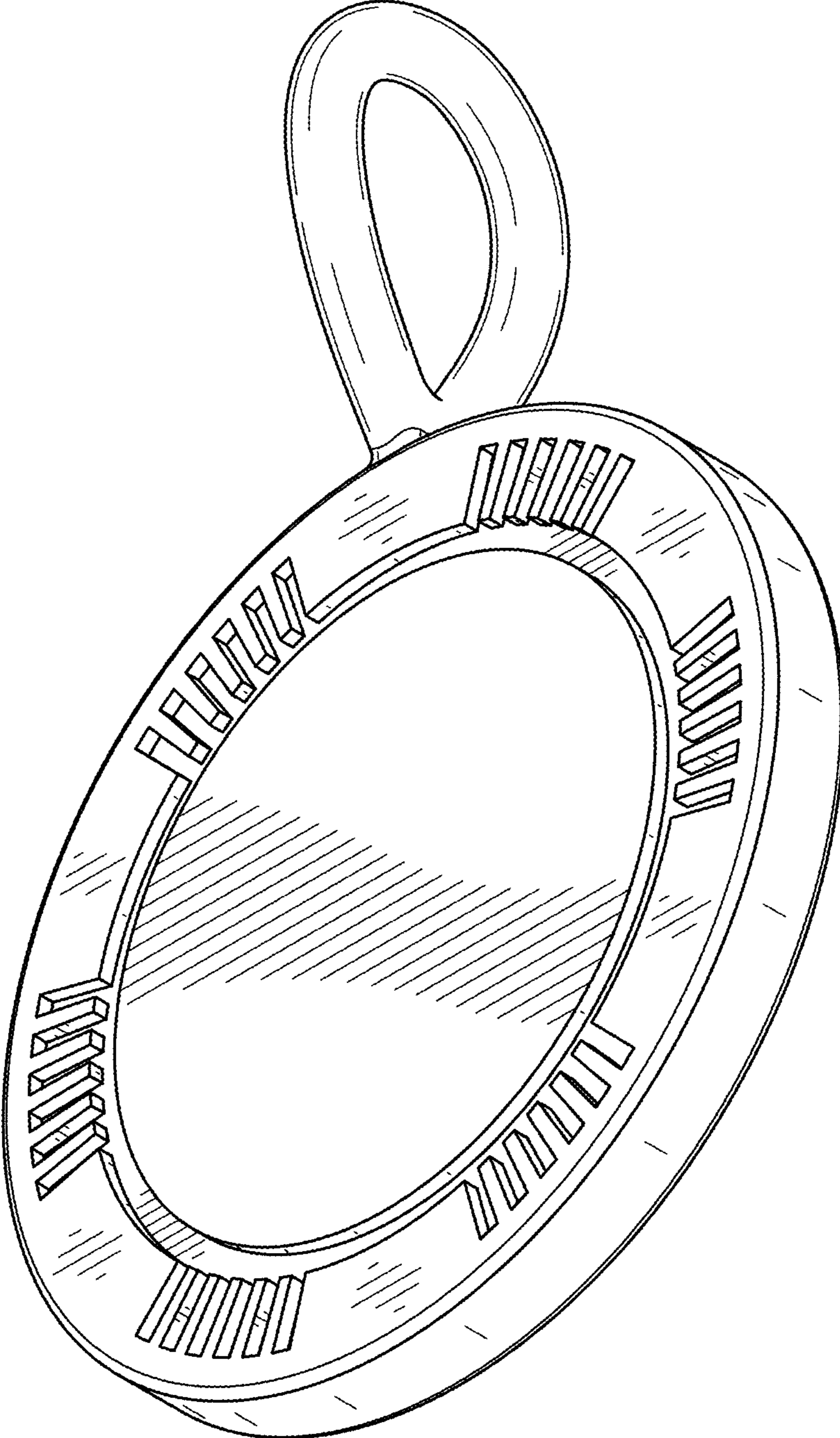


FIG. 2



FIG. 3

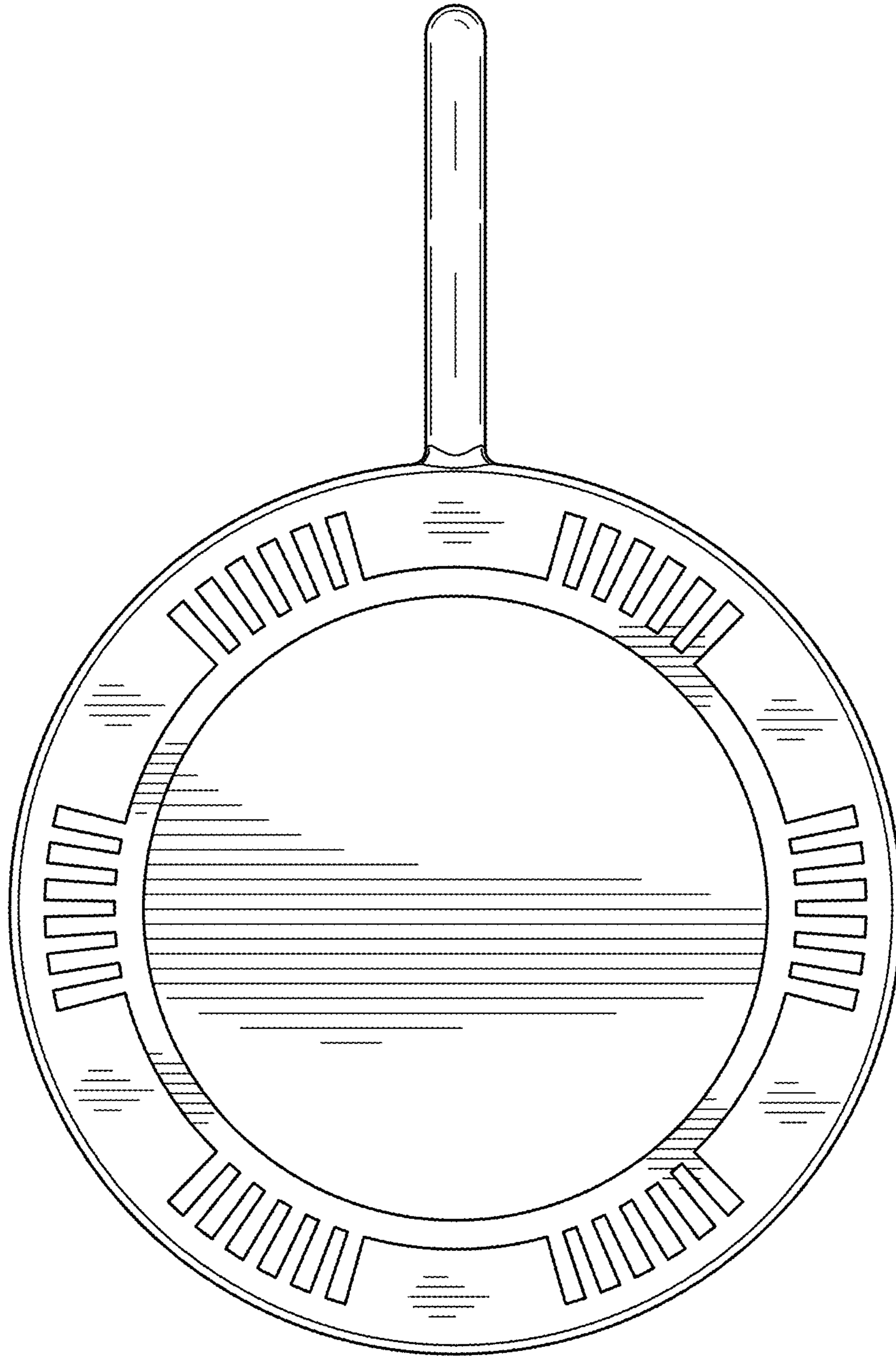


FIG. 4

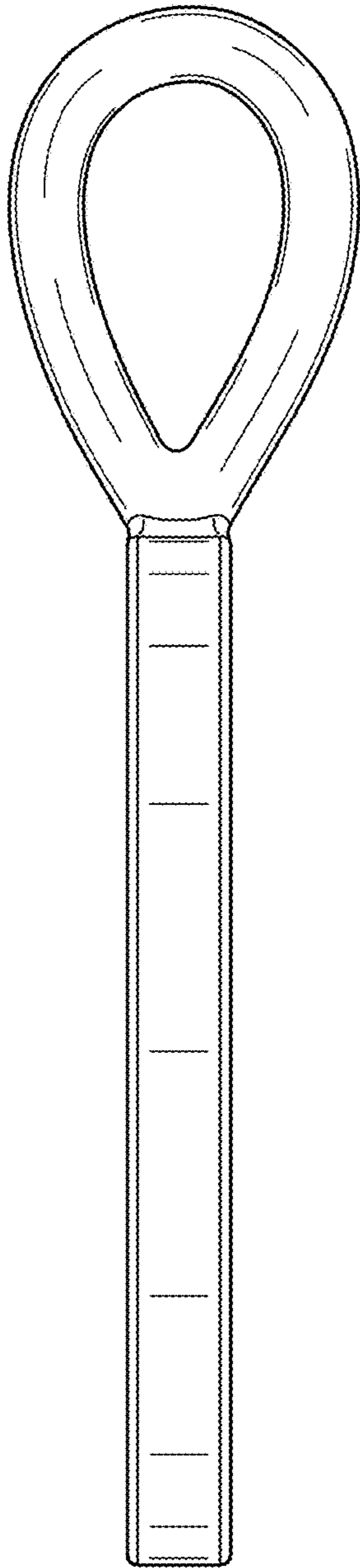


FIG. 5

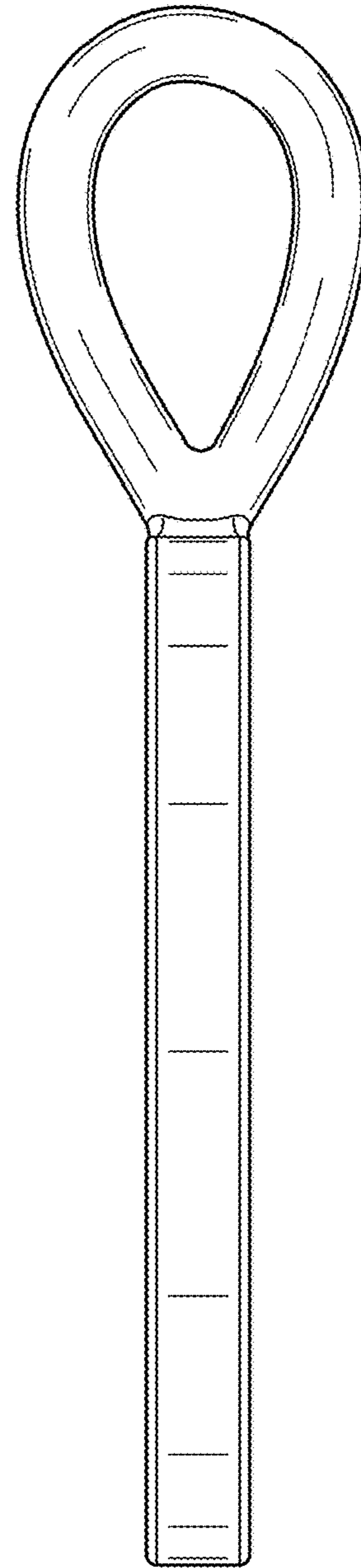


FIG. 6

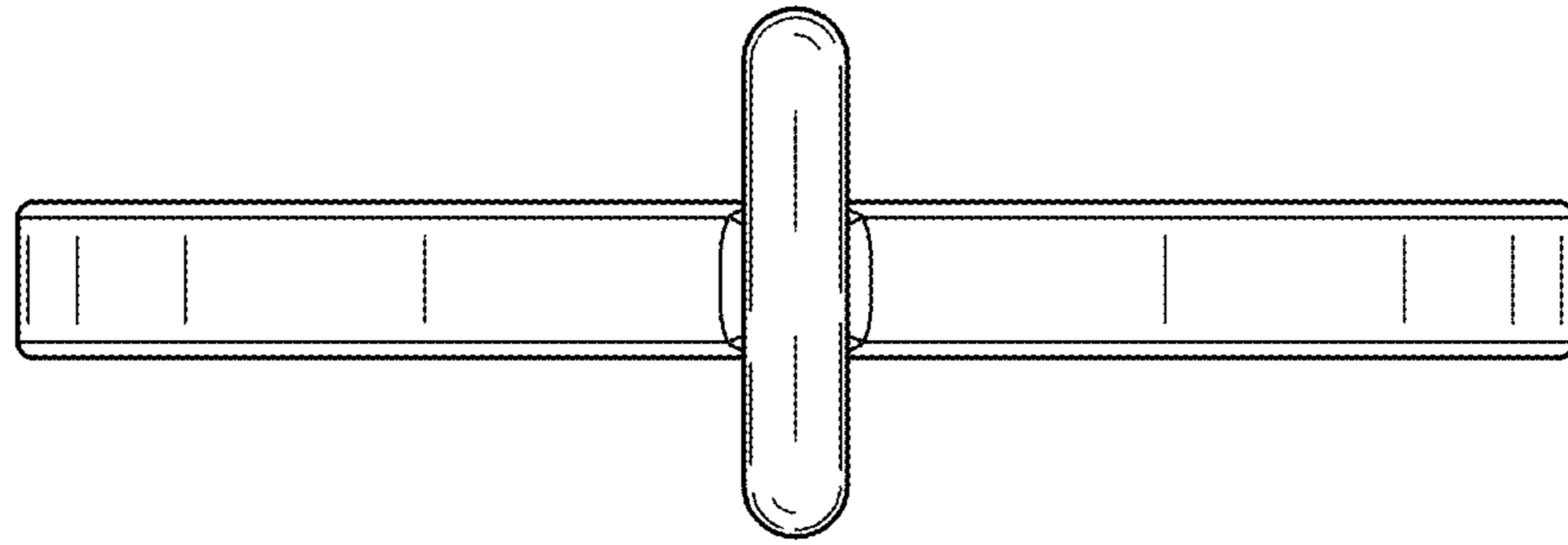


FIG. 7

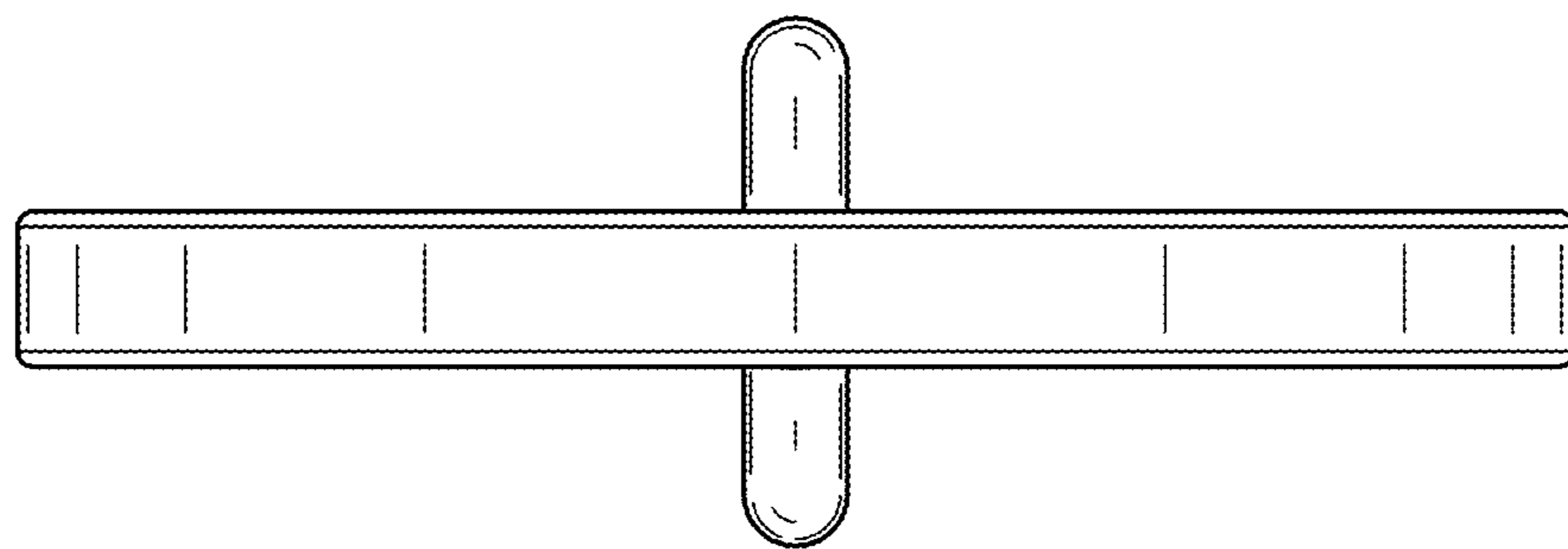


FIG. 8