



US00D780047S

(12) **United States Design Patent**
Yatsugi-Kang

(10) **Patent No.:** **US D780,047 S**

(45) **Date of Patent:** **** Feb. 28, 2017**

(54) **CHARM**

(71) Applicant: **HARRY WINSTON SA,**
Plan-les-Ouates (CH)

(72) Inventor: **Rie Yatsugi-Kang,** Cresskill, NJ (US)

(73) Assignee: **HARRY WINSTON SA,**
Plan-les-Ouates (CH)

(**) Term: **15 Years**

(21) Appl. No.: **29/557,431**

(22) Filed: **Mar. 9, 2016**

(30) **Foreign Application Priority Data**

Sep. 9, 2015 (WO) DM/087 582

(51) **LOC (10) Cl.** **11-01**

(52) **U.S. Cl.**
USPC **D11/81**

(58) **Field of Classification Search**
USPC D11/1, 2, 40-44, 79-86, 70, 47, 48, 69,
D11/49, 50, 53, 57, 59, 61, 66, 67, 75,
D11/76,
D11/77, 95, 97, 98, 99, 100, 101, 105,
D11/106, 121, 125, 127, 128, 91, 92, 111,
D11/110, 7, 8

CPC .. A44C 1/00; A44C 3/00; A44C 3/001; A44C
3/002; A44C 3/004; A44C 3/005; A44C
3/007; A44C 3/008; A44C 7/00; A44C
7/001; A44C 7/002; A44C 7/003; A44C
7/004; A44C 21/00; A44C 23/00; A44C
25/00; A44C 25/001; A44C 25/002; A44C
25/004; A44C 25/005; A44C 25/007;
A44C 25/008; A44C 17/02; A44C
17/0208

See application file for complete search history.

(56) **References Cited**

U.S. PATENT DOCUMENTS

D38,313 S * 11/1906 Wilkins D11/112
D38,645 S * 7/1907 Lanphear D11/108

D40,134 S * 7/1909 Lanphear D11/108
D49,043 S * 5/1916 Stevens D11/81
D81,419 S * 6/1930 Stange D11/108
D154,656 S * 8/1949 Berstell D11/83
D164,356 S * 8/1951 De Flece D11/81
D479,763 S * 9/2003 Miller D99/25
D517,445 S * 3/2006 Benarrouch D11/96

OTHER PUBLICATIONS

[Online] http://jamesavery.scene7.com/is/image/JamesAvery/CM-3116-300881?hei=400&wid=350&op_sharpen=1&size=400.0,350.0&xmpembed=1. Retrieved Nov. 10, 2016.*

[Online] <http://g01.a.alicdn.com/kf/HTB10n0LLpXXXXaVXpXXq6xXFXXX2/Mode-New-Elegant-925-Perak-Pesona-Manik-manik-Perhiasan-Rose-Gold-Star-Putih-CZ-Horseshoe-Charms.jpg>. Retrieved Nov. 10, 2016.*

[Online] http://www.sourpussclothing.com/media/catalog/product/cache/1/image/9df78eab33525d08d6e5fb8d27136e95/c/l/classic_hardware_horseshoe_star_earrings.jpg. Retrieved Nov. 10, 2016.*

* cited by examiner

Primary Examiner — Melanie Pellegrini

(74) *Attorney, Agent, or Firm* — Donald J. Ranft; Collen IP

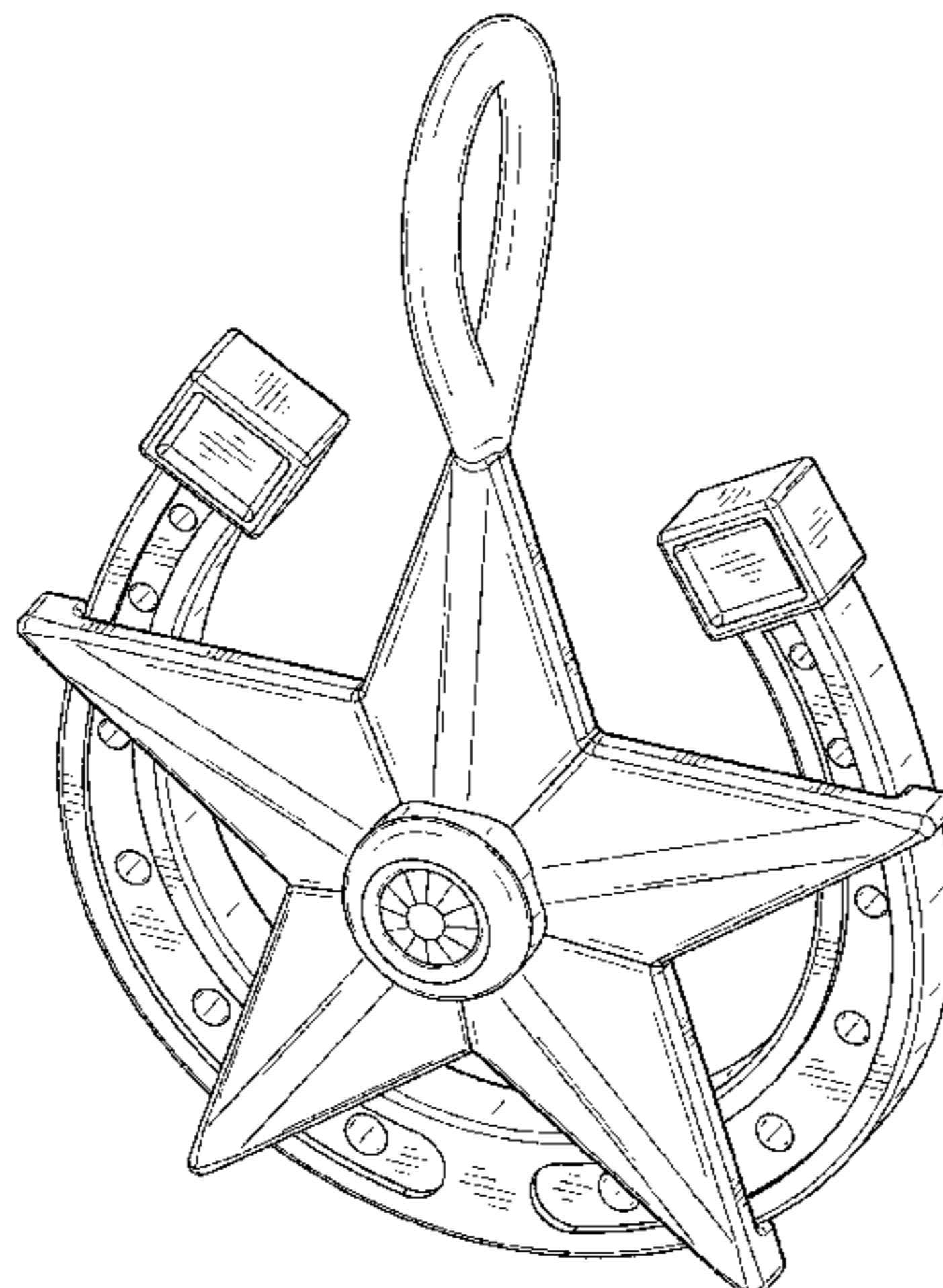
(57) **CLAIM**

The ornamental design for a charm, as shown.

DESCRIPTION

FIG. 1 is a front right perspective view of a charm showing my new design;
FIG. 2 is a rear left perspective view thereof;
FIG. 3 is a front view thereof;
FIG. 4 is a rear view thereof;
FIG. 5 is a left side view thereof;
FIG. 6 is a right side view thereof;
FIG. 7 is a top view thereof; and,
FIG. 8 is a bottom view thereof.

1 Claim, 6 Drawing Sheets



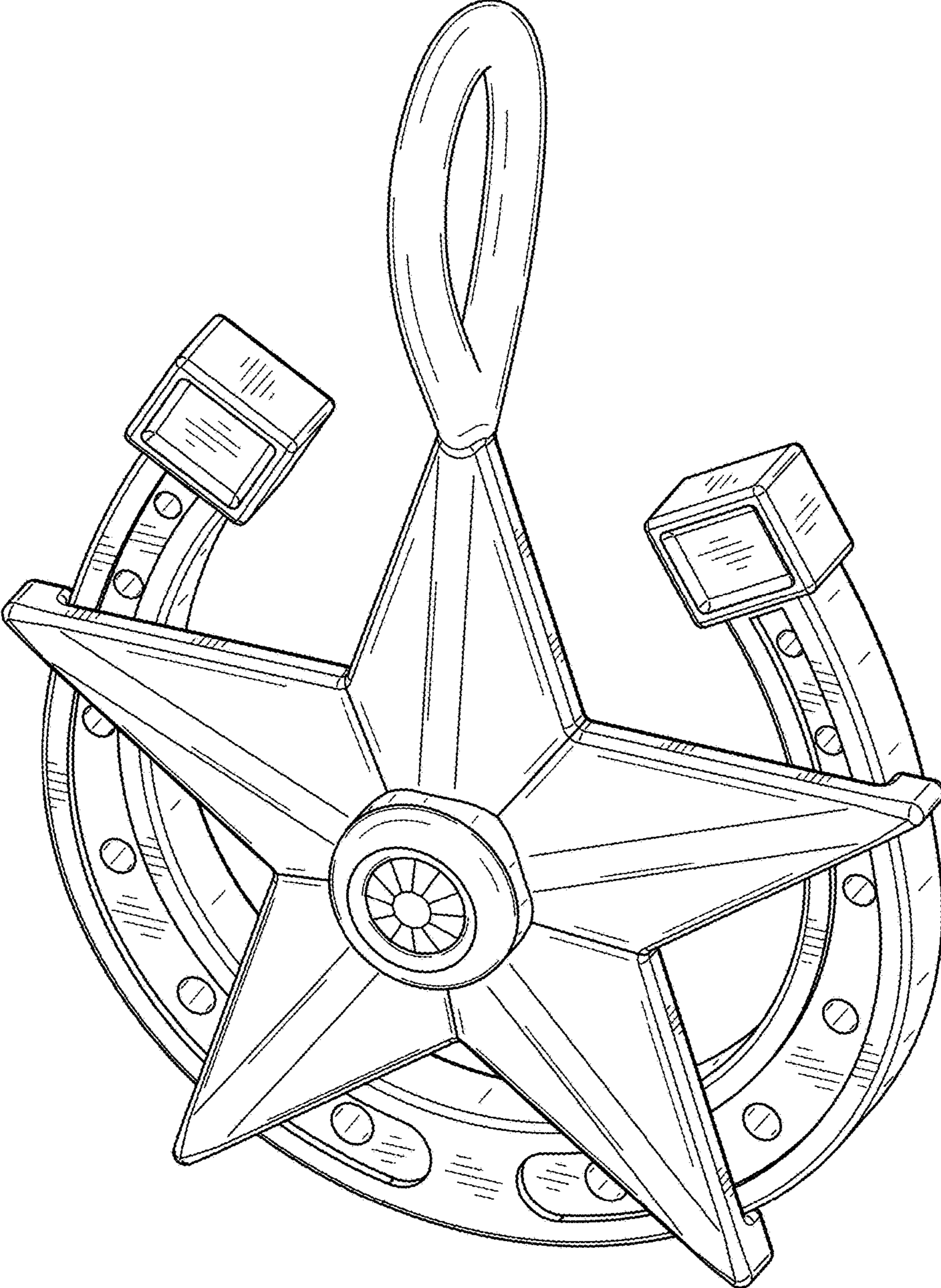


FIG. 1

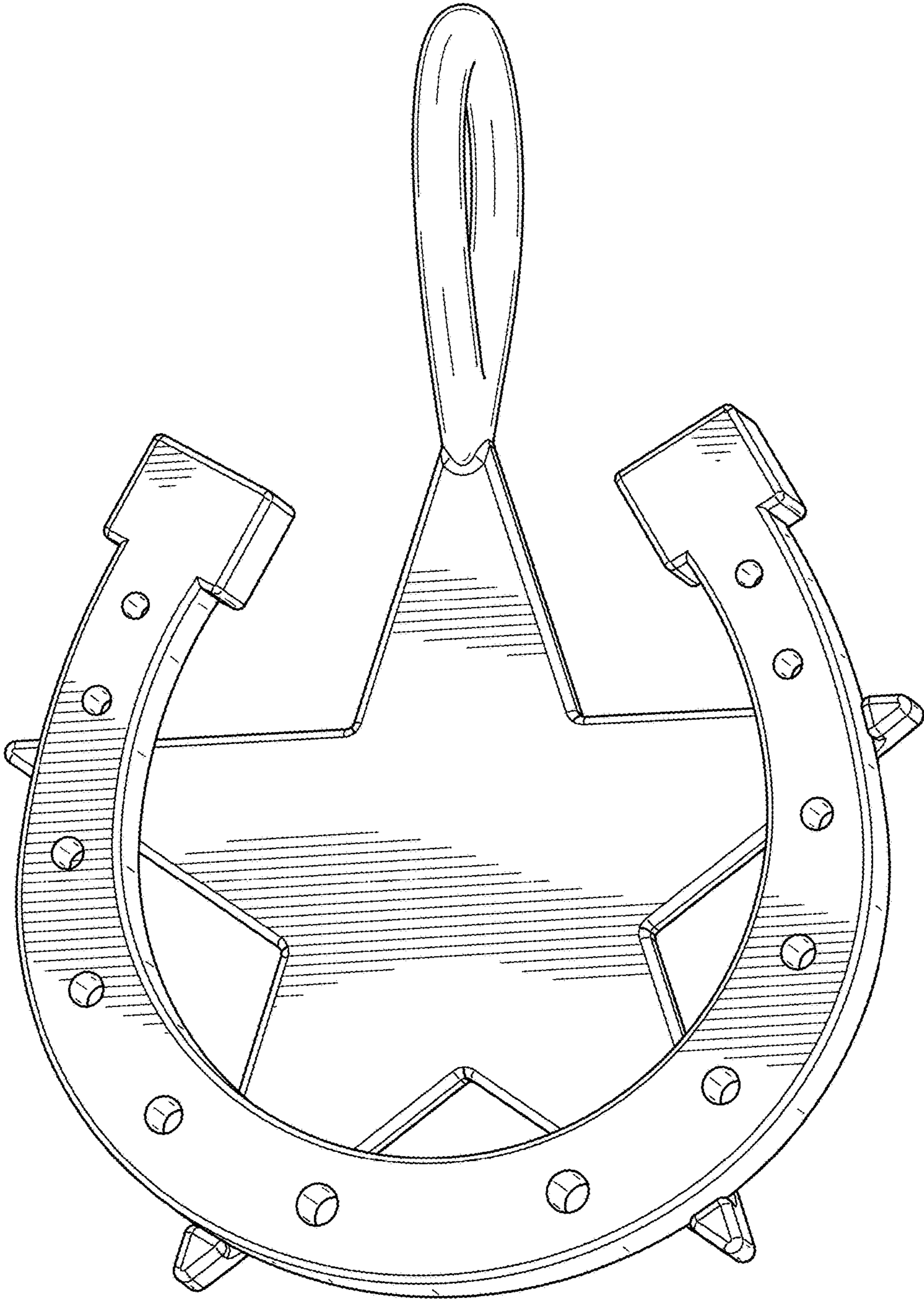


FIG. 2

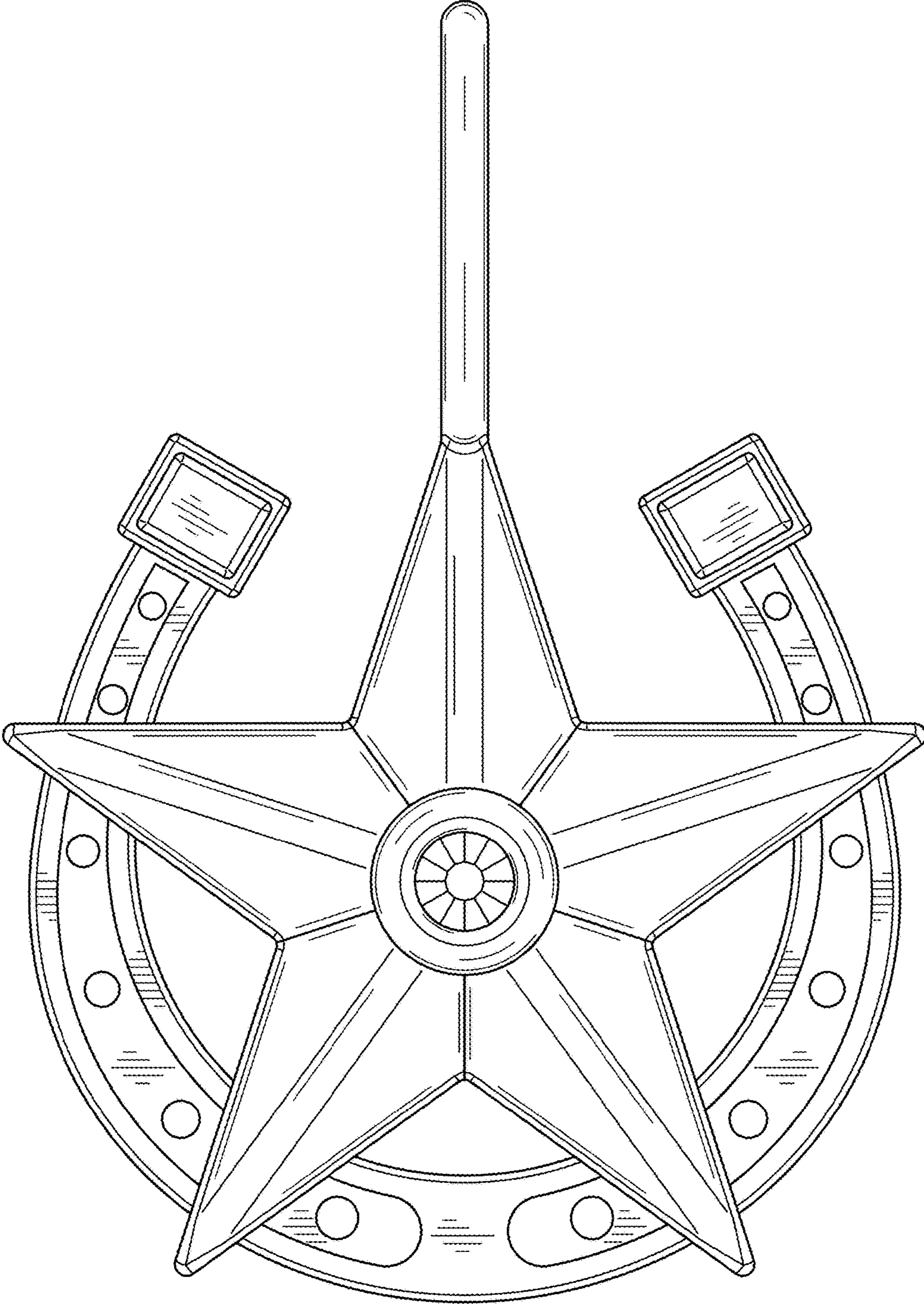


FIG. 3

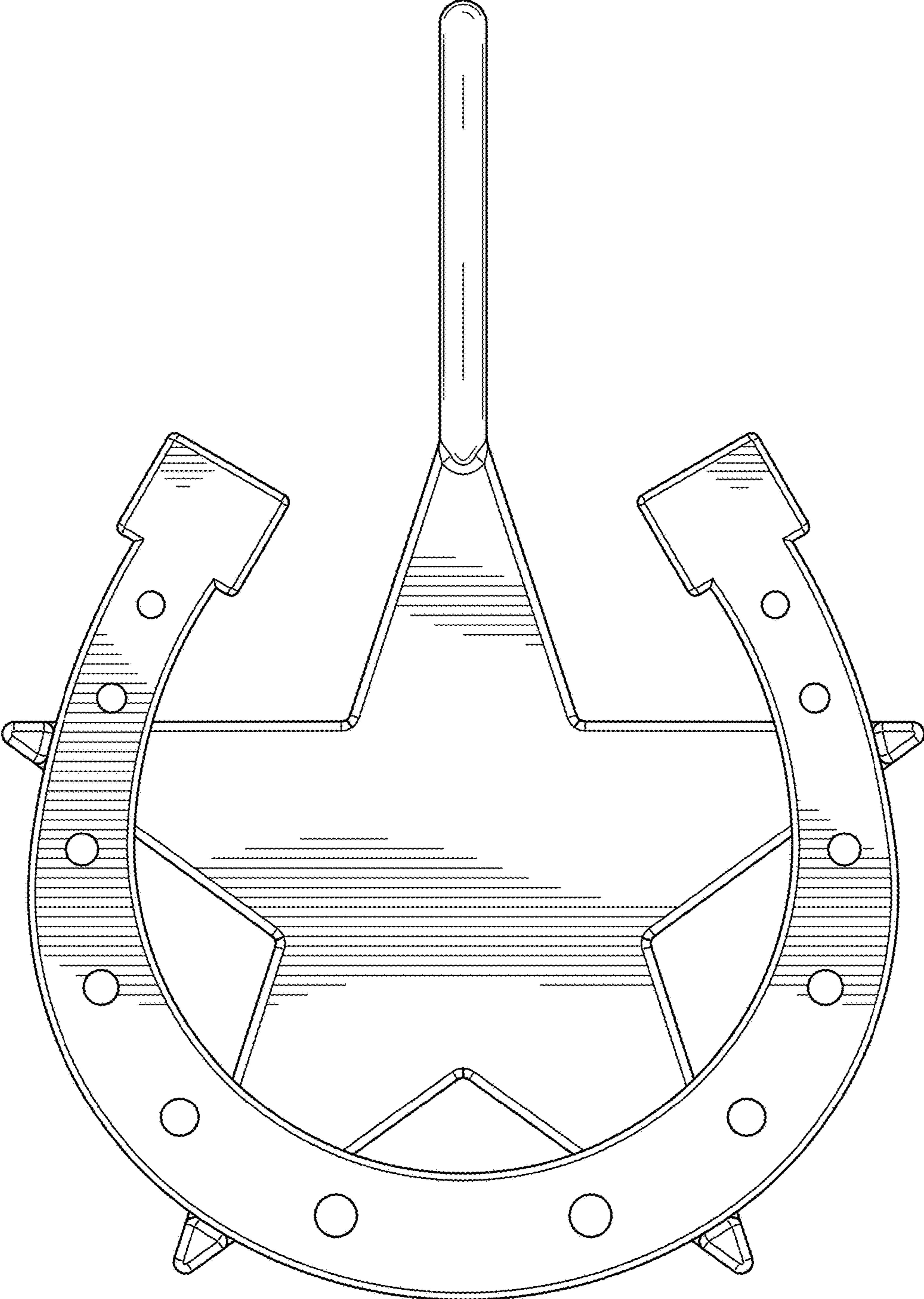


FIG. 4

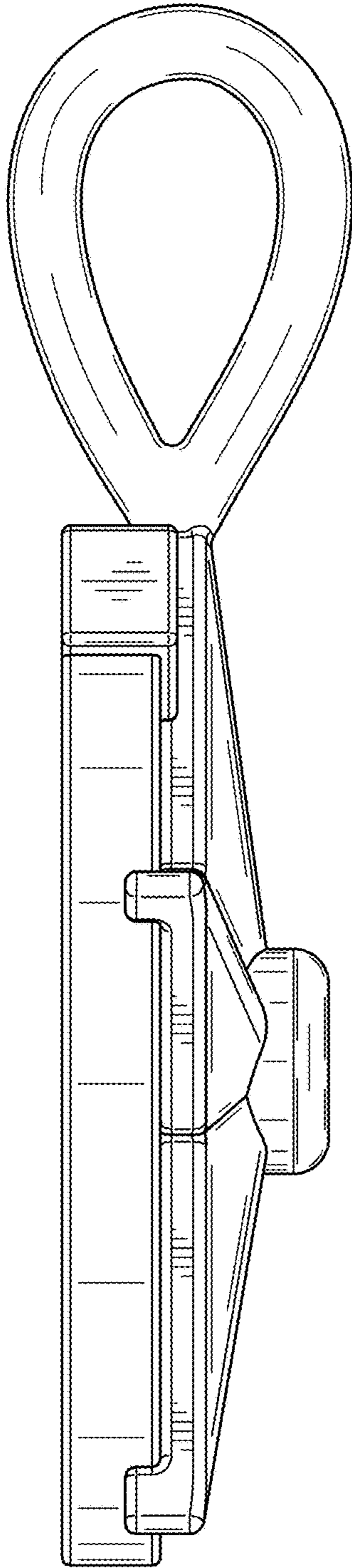


FIG. 5

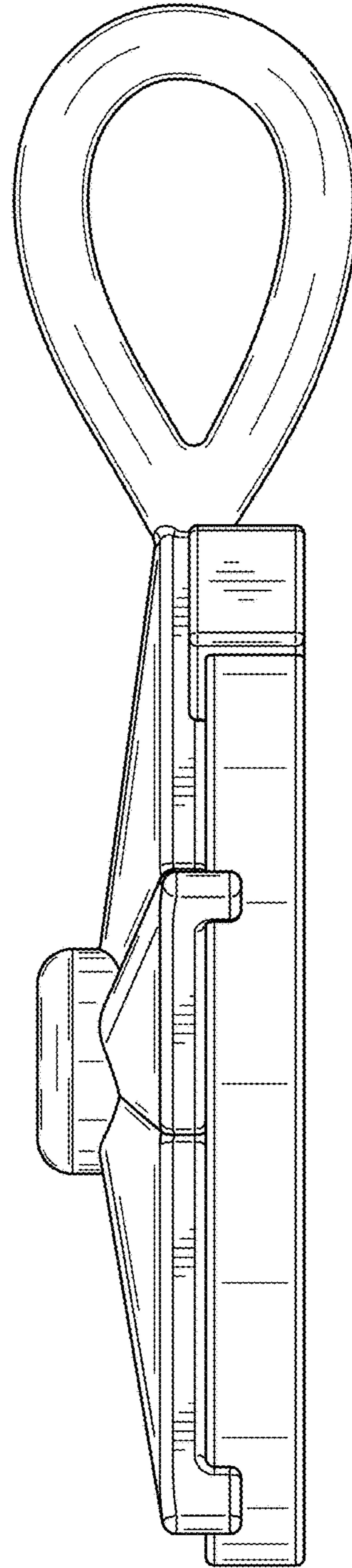


FIG. 6

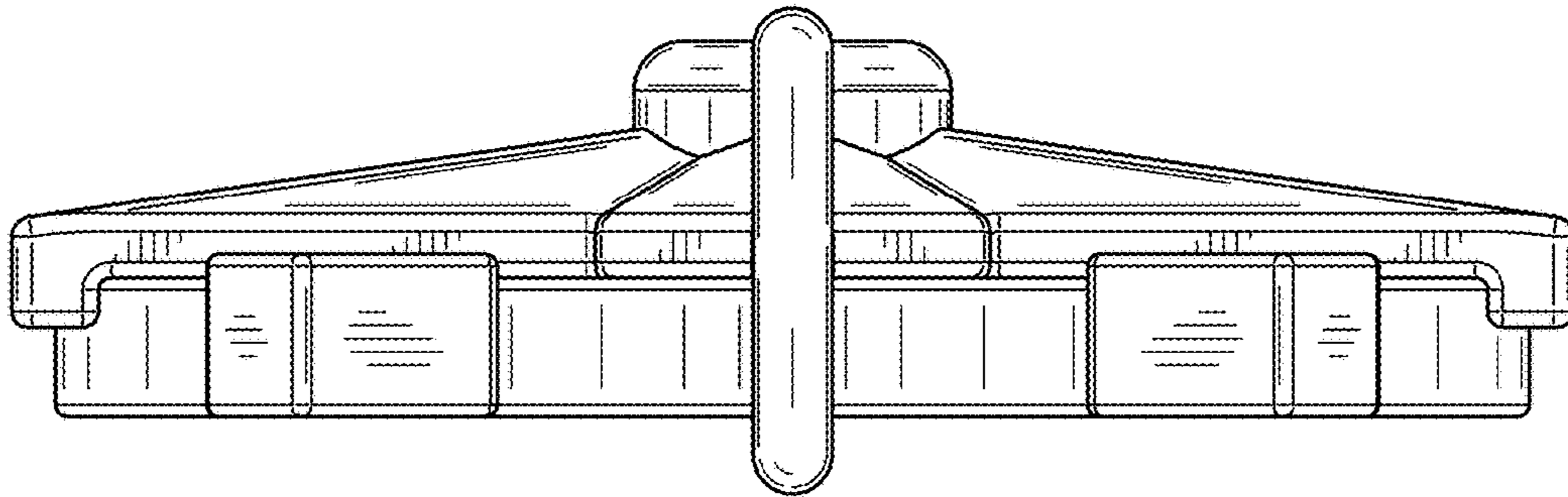


FIG. 7

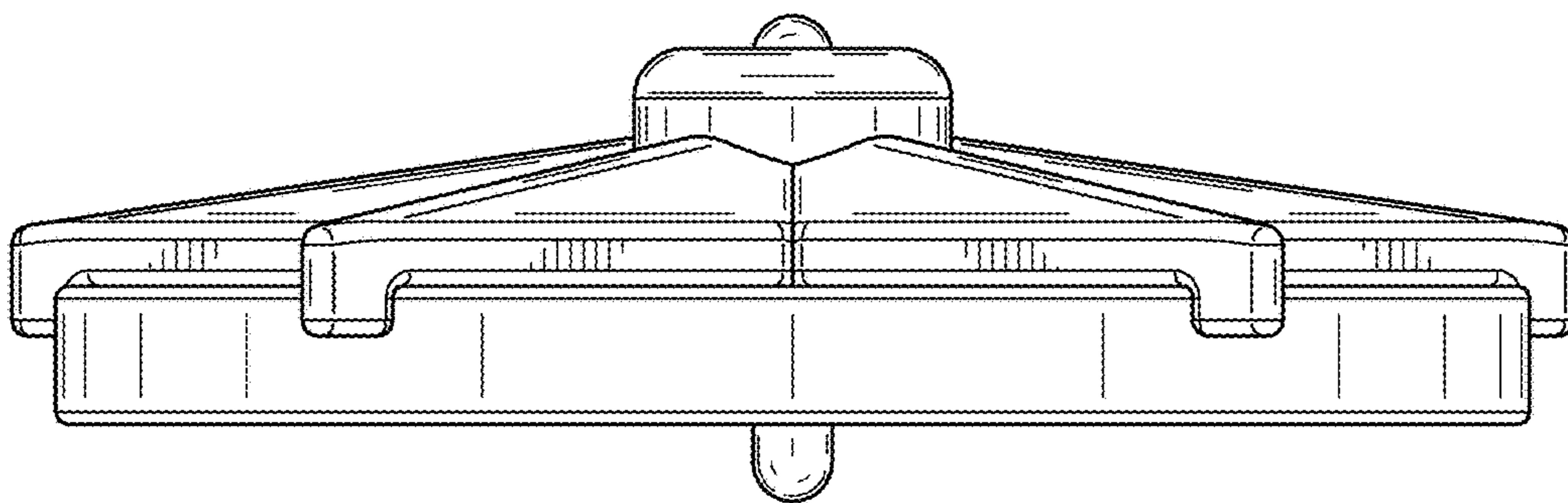


FIG. 8