



US00D780043S

(12) **United States Design Patent**
Yatsugi-Kang

(10) **Patent No.: US D780,043 S**

(45) **Date of Patent: ** Feb. 28, 2017**

(54) **CHARM**

(71) Applicant: **HARRY WINSTON SA,**
Plan-les-Ouates (CH)

(72) Inventor: **Rie Yatsugi-Kang,** Cresskill, NJ (US)

(73) Assignee: **HARRY WINSTON SA,**
Plan-les-Ouates (CH)

(**) Term: **15 Years**

(21) Appl. No.: **29/557,439**

(22) Filed: **Mar. 9, 2016**

(30) **Foreign Application Priority Data**

Sep. 9, 2015 (WO) DM/087 582

(51) **LOC (10) Cl.** **11-01**

(52) **U.S. Cl.**
USPC **D11/79**

(58) **Field of Classification Search**

USPC D11/1, 2, 40-44, 79-86, 70, 47, 48, 69,
D11/49, 50, 53, 57, 59, 61, 66, 67, 75,
D11/76, 77, 95, 97, 98, 99, 100, 101,
D11/105, 106, 121, 125, 127, 128, 91, 92,
D11/111, 110, 7, 8
CPC .. A44C 1/00; A44C 3/00; A44C 3/001; A44C
3/002; A44C 3/004; A44C 3/005; A44C
3/007; A44C 3/008; A44C 7/00; A44C
7/001; A44C 7/002; A44C 7/003; A44C
7/004; A44C 21/00; A44C 23/00; A44C
25/00; A44C 25/001; A44C 25/002; A44C
25/004; A44C 25/005; A44C 25/007;
A44C 25/008; A44C 17/02; A44C
17/0208

See application file for complete search history.

(56) **References Cited**

U.S. PATENT DOCUMENTS

D36,623 S *	11/1903	Homer	D11/83
D38,631 S *	6/1907	Freund-Bala	D11/111
D48,952 S *	4/1916	Schultze	D11/111
D50,957 S *	6/1917	Ramsberger	D11/109
D161,435 S *	1/1951	Evans	D11/111
D607,765 S *	1/2010	Fortescue	D11/79
D719,050 S *	12/2014	Yatsugi-Kang	D11/79

OTHER PUBLICATIONS

[Online] <https://www.facebook.com/HarryWinston/photos/a.164445834782.149903.61090414782/10154506690629783/?type=3&theater>. Retrieved Nov. 9, 2016. Posted online Aug. 27, 2016.*

* cited by examiner

Primary Examiner — Melanie Pellegrini

(74) *Attorney, Agent, or Firm* — Donald J. Ranft; Collen IP

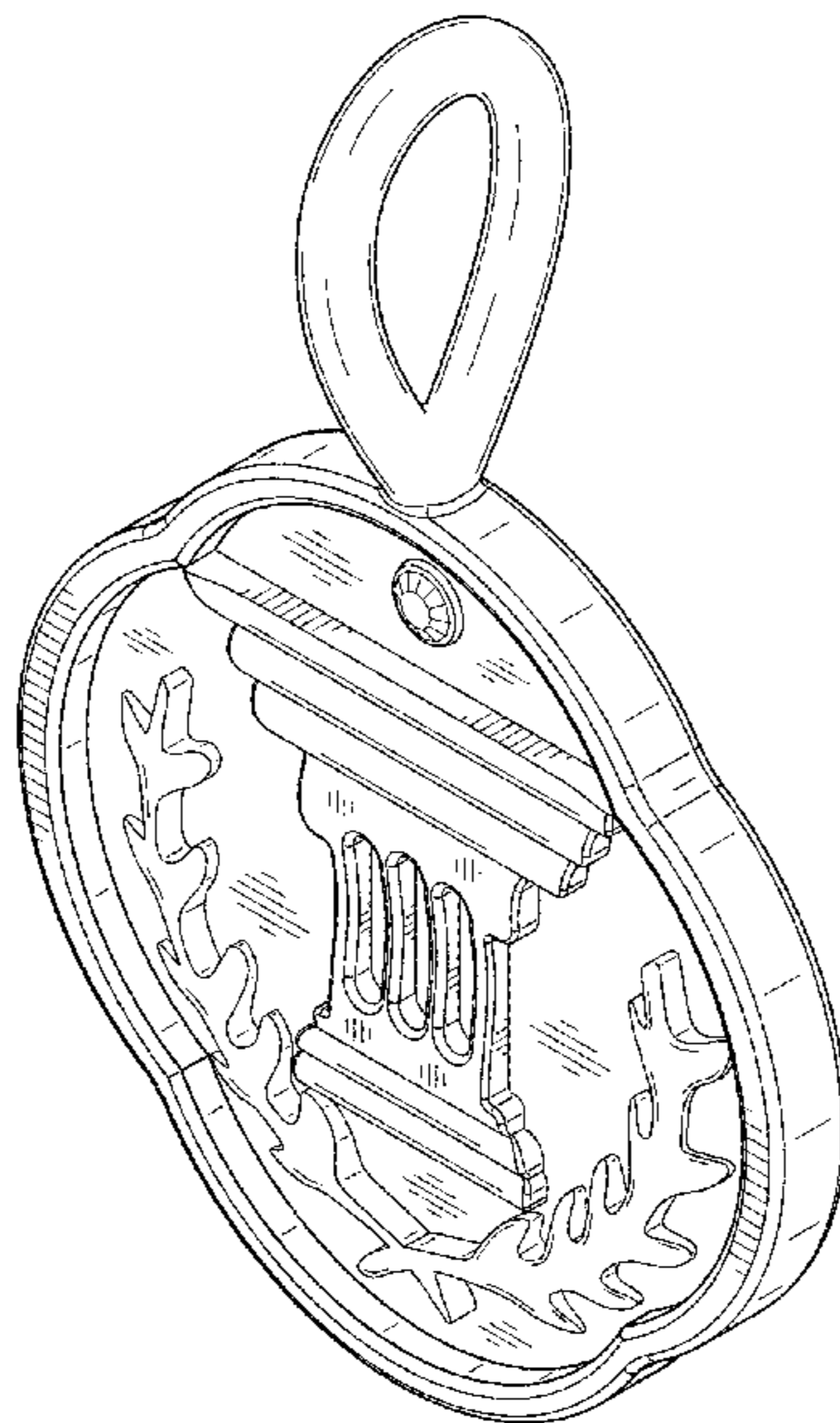
(57) **CLAIM**

The ornamental design for a charm, as shown.

DESCRIPTION

FIG. 1 is a front right perspective view of a charm showing my new design;
FIG. 2 is a rear left perspective view thereof;
FIG. 3 is a front view thereof;
FIG. 4 is a rear view thereof;
FIG. 5 is a left side view thereof;
FIG. 6 is a right side view thereof;
FIG. 7 is a top view thereof; and,
FIG. 8 is a bottom view thereof.

1 Claim, 6 Drawing Sheets



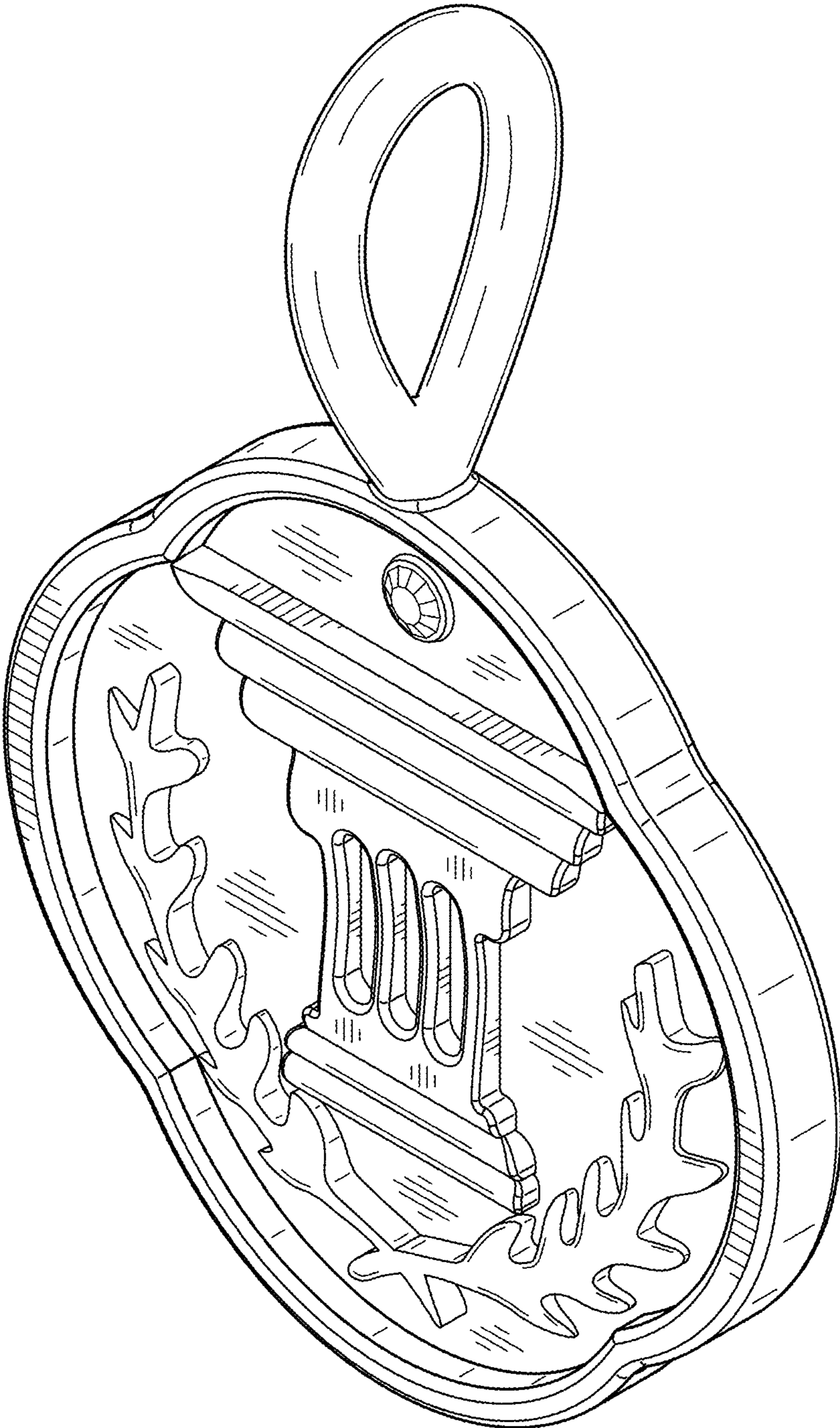


FIG. 1

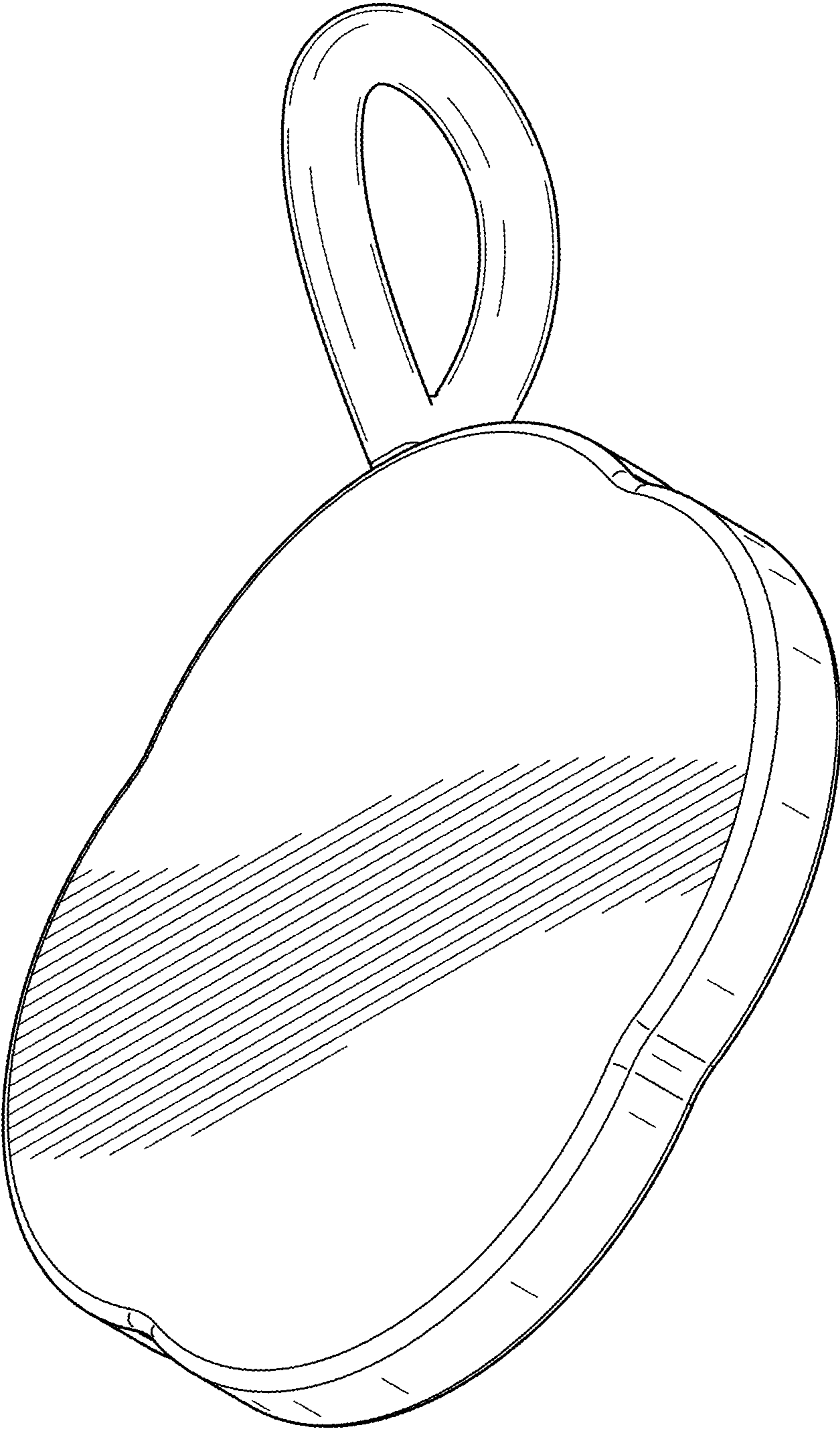


FIG. 2

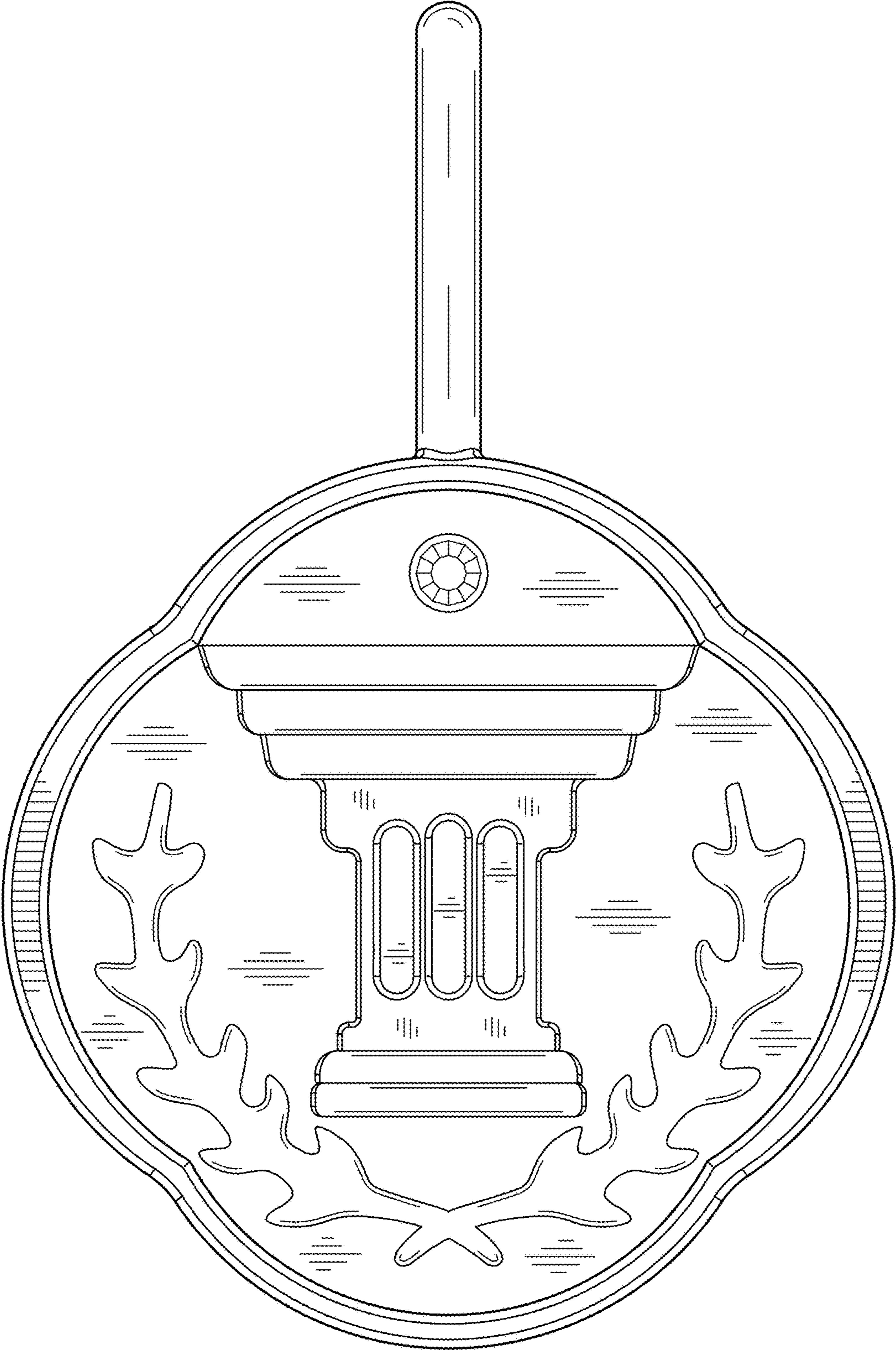


FIG. 3

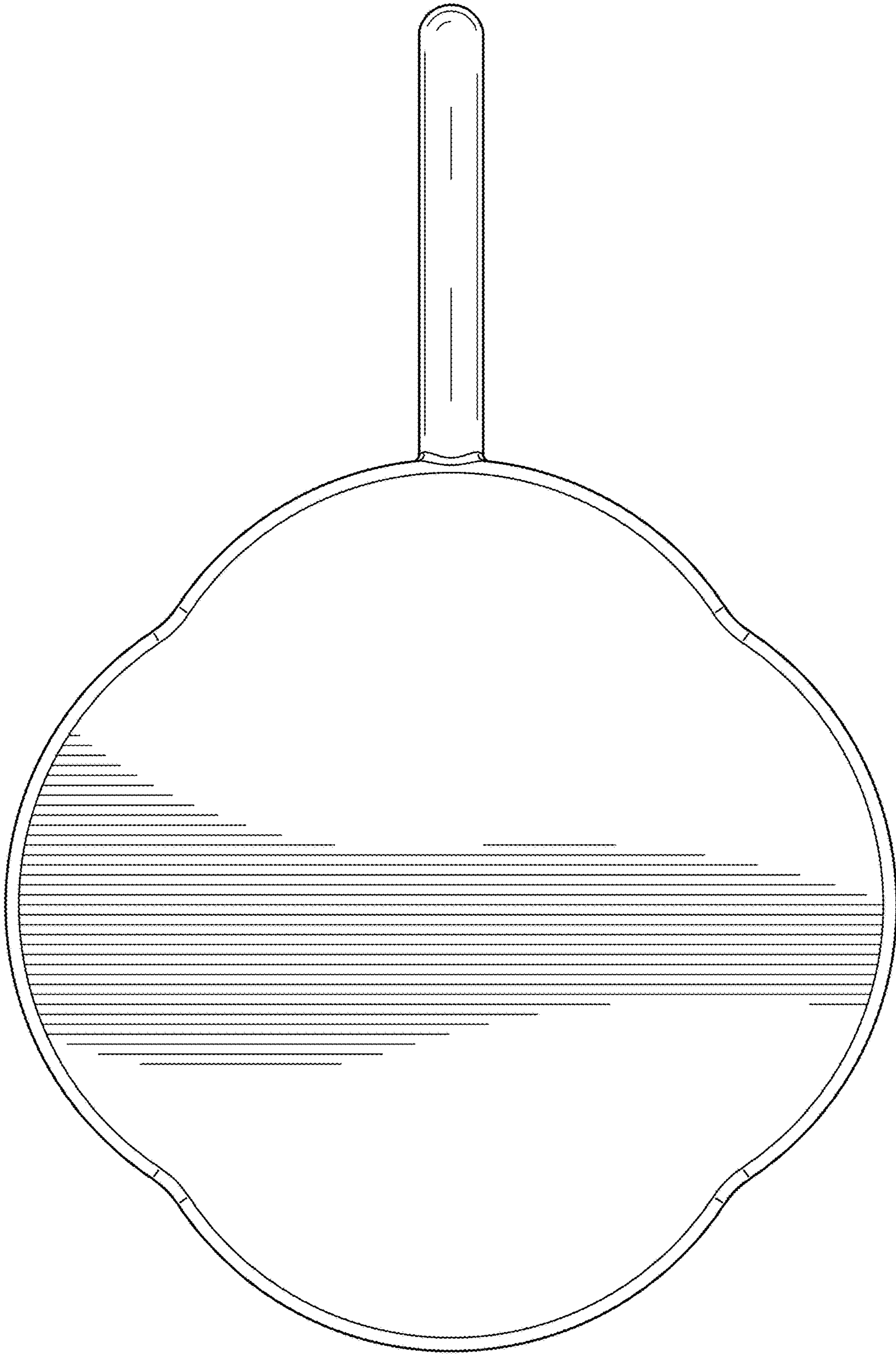


FIG. 4

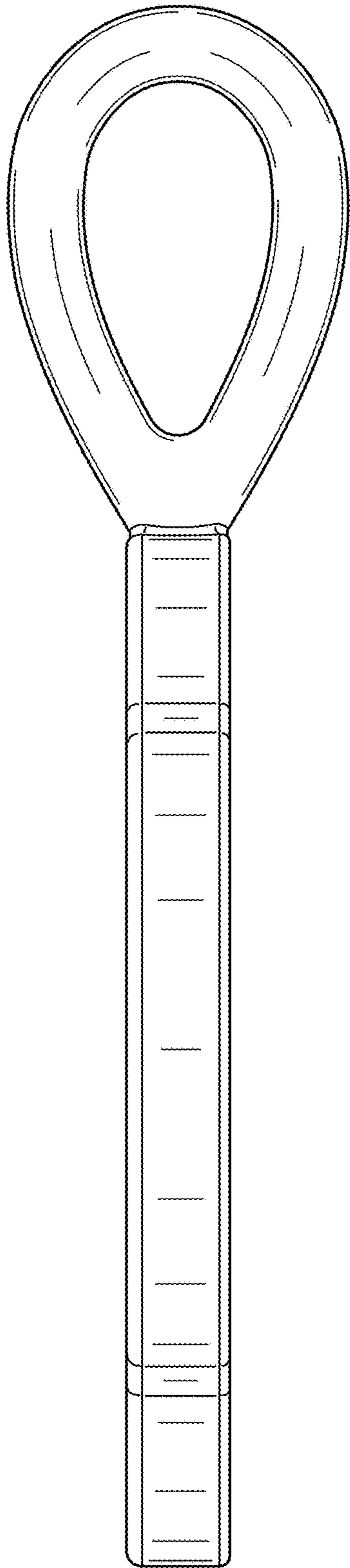


FIG. 5

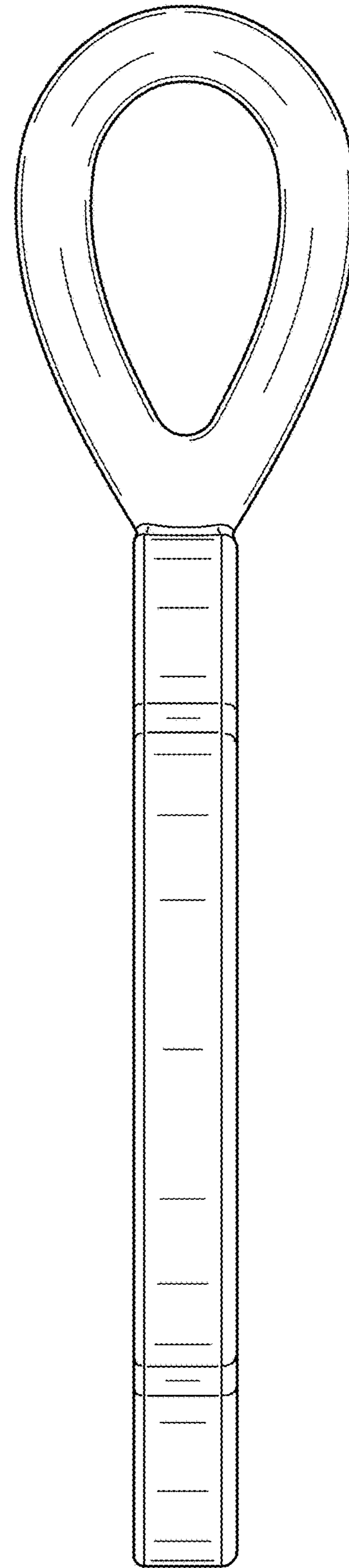


FIG. 6

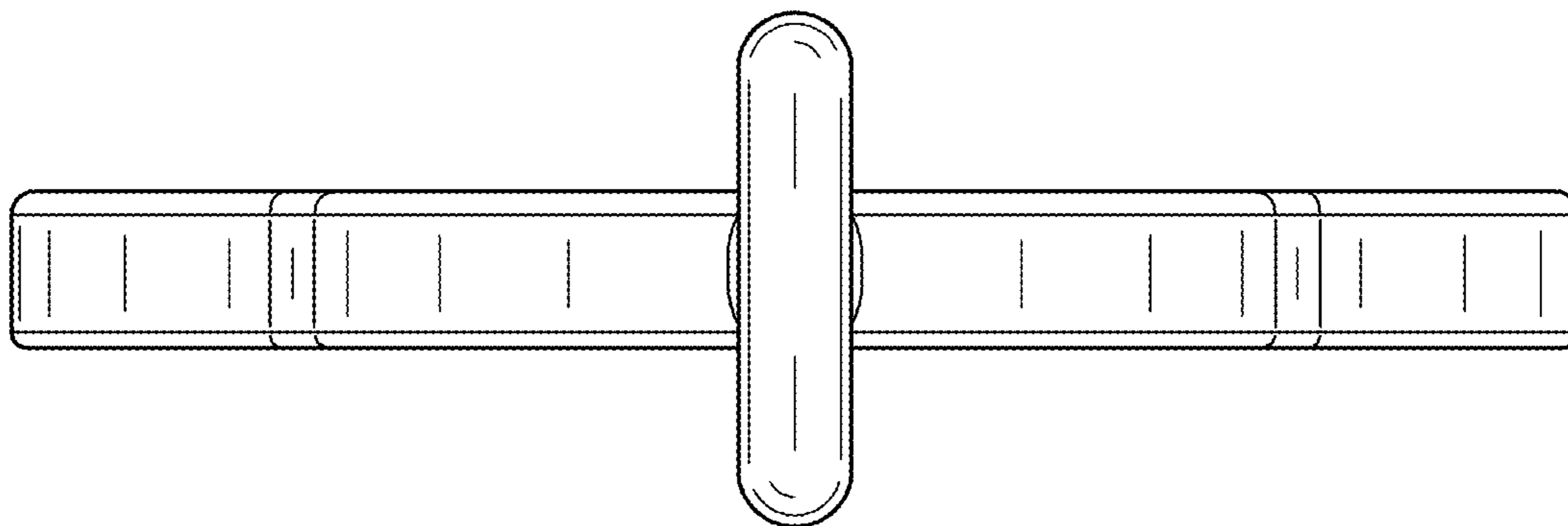


FIG. 7

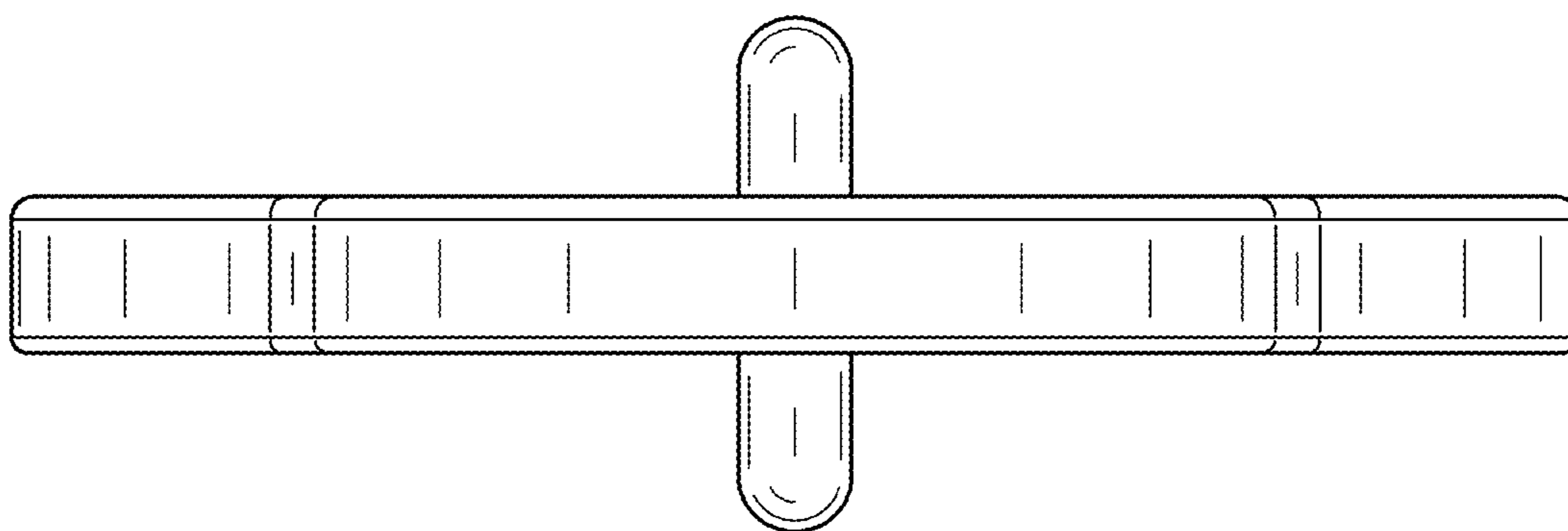


FIG. 8