



US00D780040S

(12) **United States Design Patent** (10) **Patent No.:** **US D780,040 S**
Galli (45) **Date of Patent:** **** Feb. 28, 2017**

(54) **EARRING**

(71) Applicant: **HARRY WINSTON SA,**
Plan-les-Ouates (CH)

(72) Inventor: **Maurice Galli,** Long Island City, NY
(US)

(73) Assignee: **HARRY WINSTON SA,**
Plan-les-Ouates (CH)

(**) Term: **15 Years**

(21) Appl. No.: **29/550,412**

(22) Filed: **Jan. 4, 2016**

(30) **Foreign Application Priority Data**

Jul. 8, 2015 (WO) DM/086 949

(51) **LOC (10) Cl.** **11-01**

(52) **U.S. Cl.**
USPC **D11/43**

(58) **Field of Classification Search**
USPC D11/1, 2, 40-48, 79, 80, 81, 87, 88, 91, 92
CPC A44C 7/00; A44C 7/002; A44C 7/003;
A44C 7/004; A44C 7/005; A44C 7/006;
A44C 7/007; A44C 7/008; A44C 7/009;
A44C 17/02; A44C 17/0208; A44C
17/0216; A44C 17/0255; A44C 17/0233;
A44C 17/0241; A44C 17/025; A44C
17/0258; A44C 17/0266; A44C 25/00;
A44C 25/001; A44C 25/007
See application file for complete search history.

(56) **References Cited**

U.S. PATENT DOCUMENTS

D150,586 S * 8/1948 Katz D11/43
D157,161 S * 2/1950 Katz D11/43

D157,162 S * 2/1950 Katz D11/43
D159,078 S * 6/1950 Katz D11/67
D171,701 S * 3/1954 Katz D11/43
D173,220 S * 10/1954 Katz D11/43
D729,107 S * 5/2015 Riviere D11/42
D753,013 S * 4/2016 Riviere D11/79

OTHER PUBLICATIONS

[Online] <https://www.facebook.com/HarryWinston/photos/a.164445834782.149903.61090414782/10153924016354783/?type=3&theater>. Retrieved Sep. 26, 2016. Posted online Jan. 16, 2016.*

* cited by examiner

Primary Examiner — Melanie Pellegrini

(74) *Attorney, Agent, or Firm* — Donald J. Ranft; Collen IP

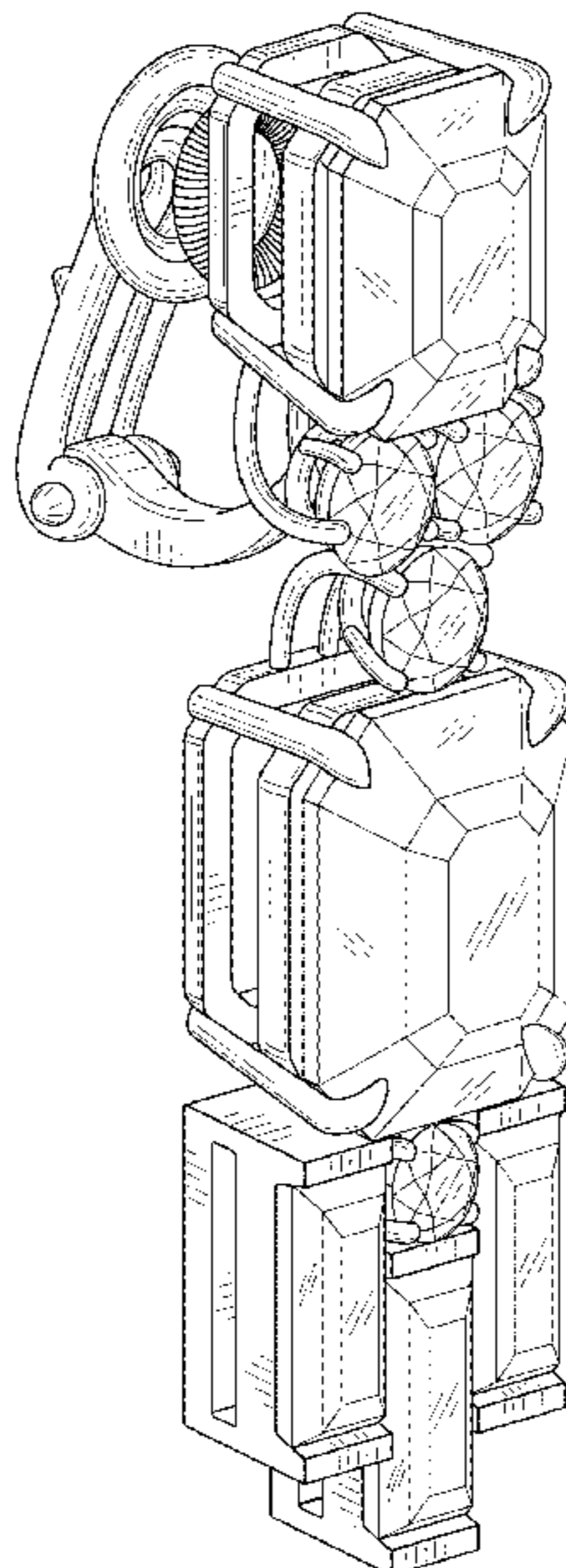
(57) **CLAIM**

The ornamental design for an earring, as shown.

DESCRIPTION

FIG. 1 is a front perspective view of an earring showing my new design;
FIG. 2 is a front view thereof;
FIG. 3 is a rear view thereof;
FIG. 4 is a left side view thereof;
FIG. 5 is a right side view thereof;
FIG. 6 is a top view thereof;
FIG. 7 is a bottom view thereof; and,
FIG. 8 is a rear perspective view thereof.

1 Claim, 6 Drawing Sheets



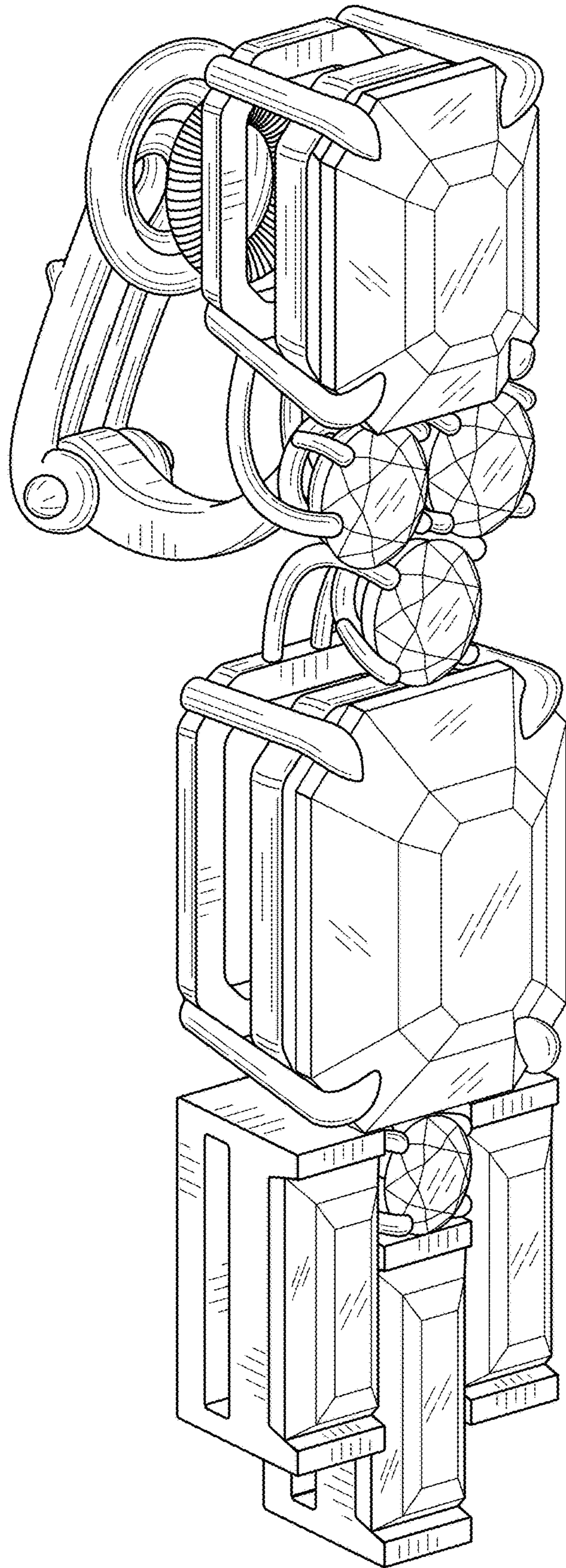


FIG. 1

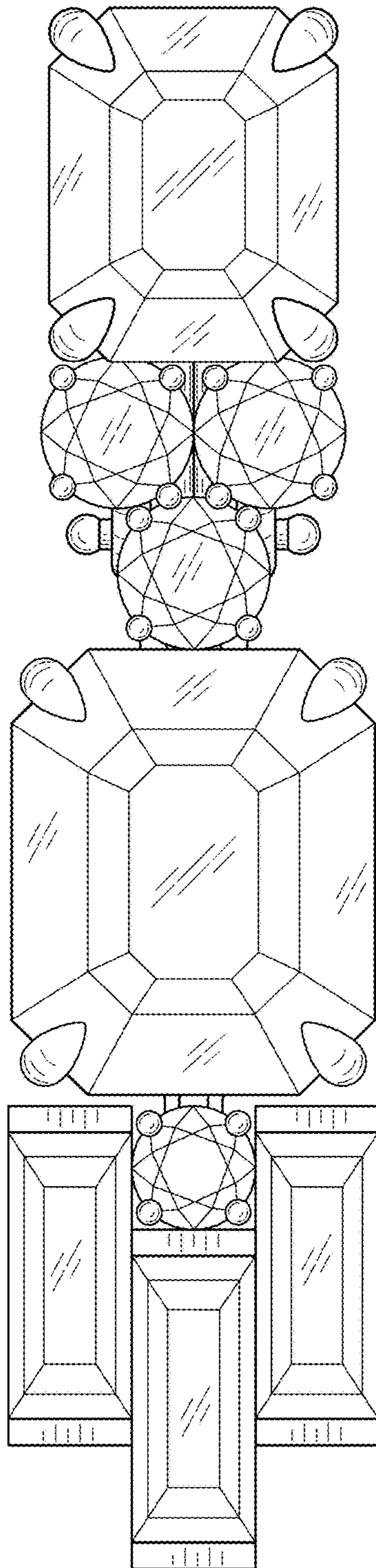


FIG. 2

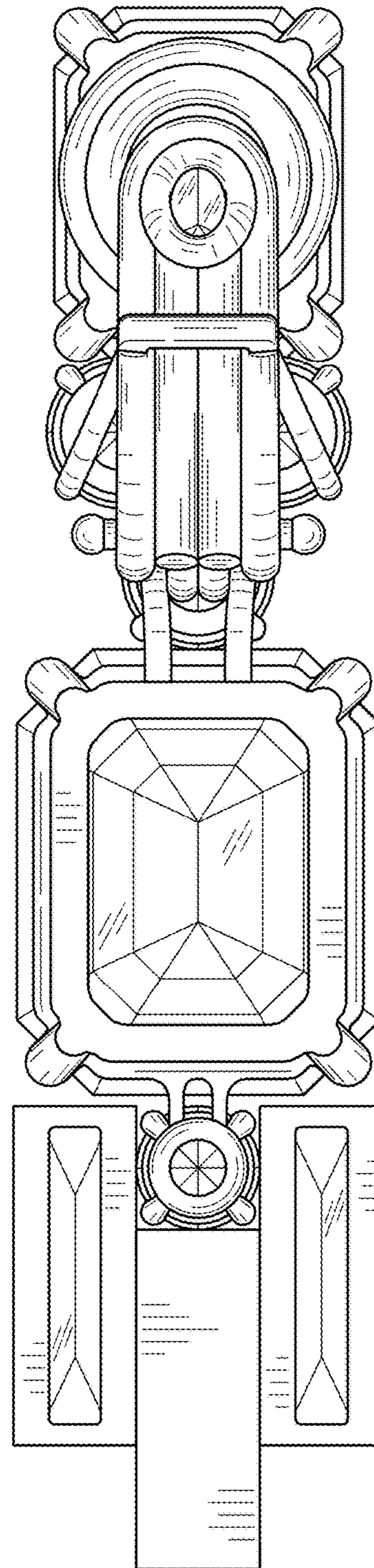


FIG. 3

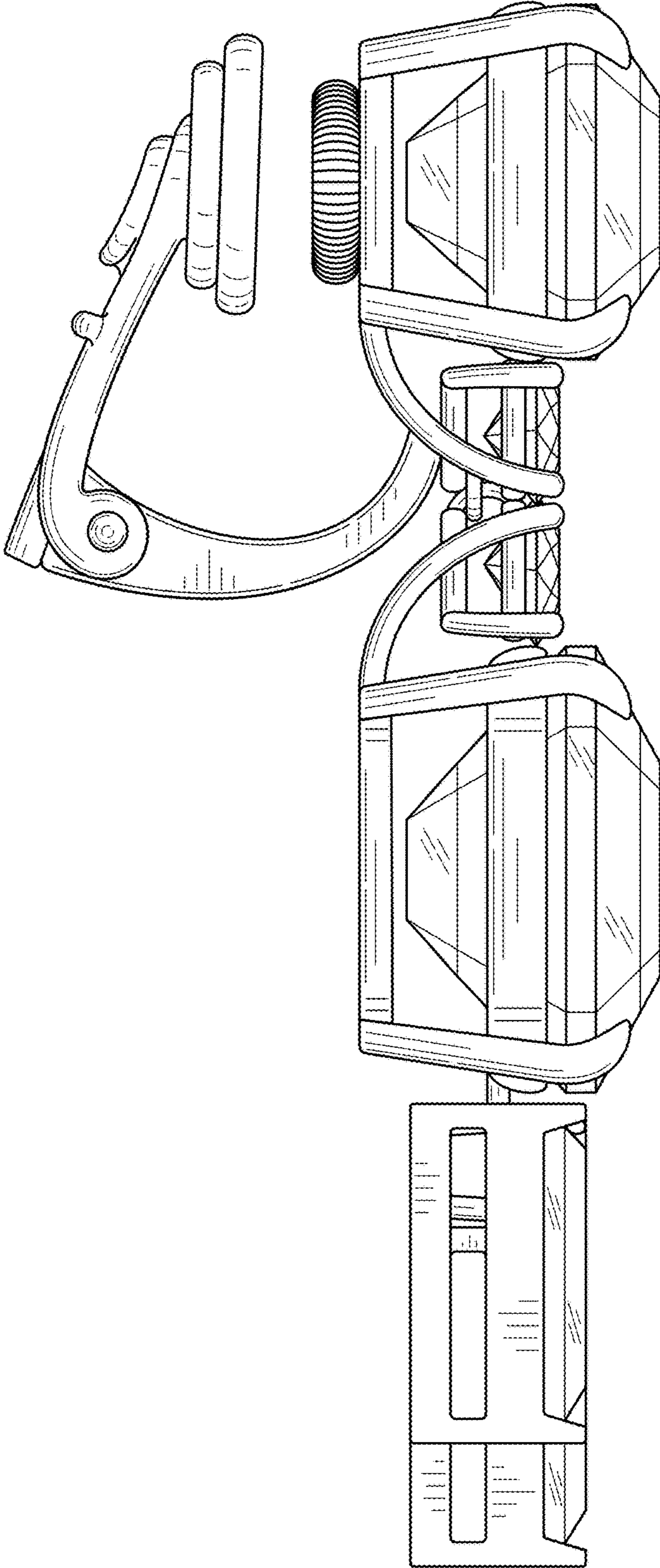


FIG. 4

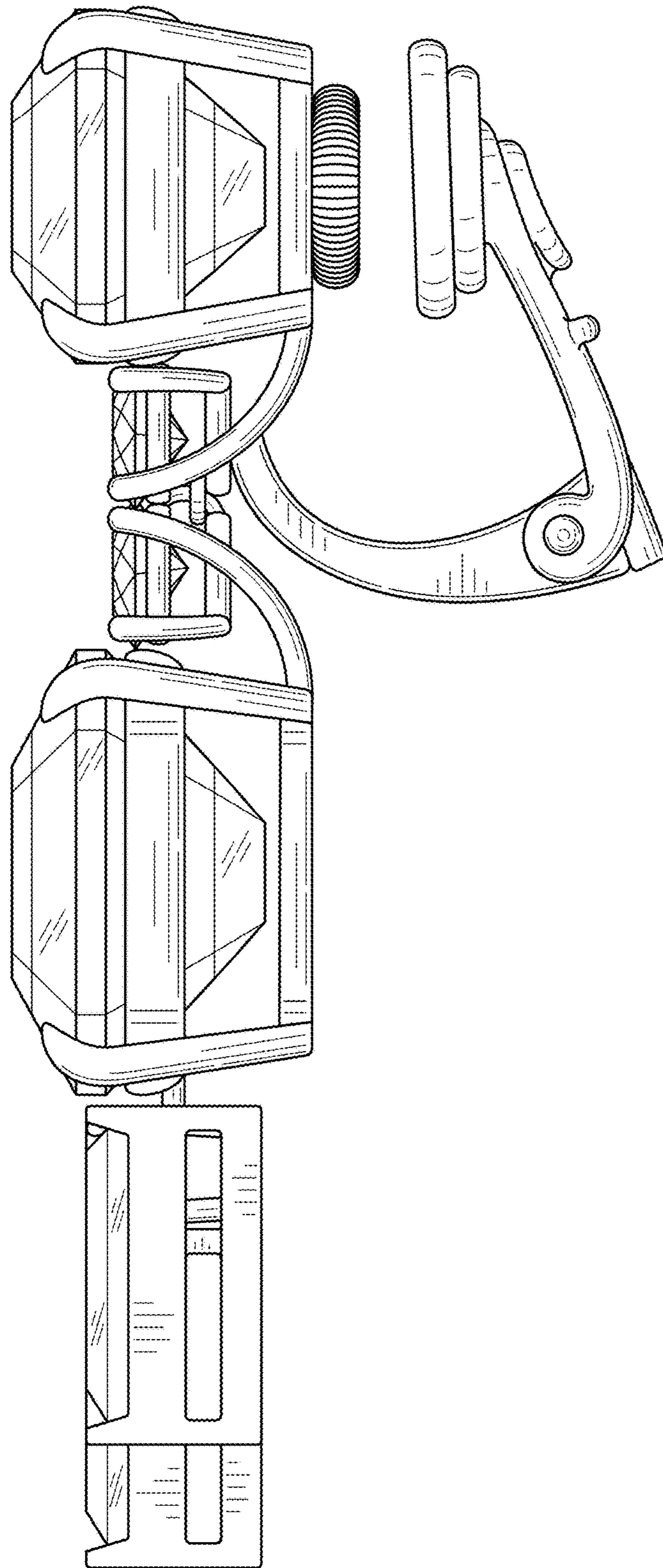


FIG. 5

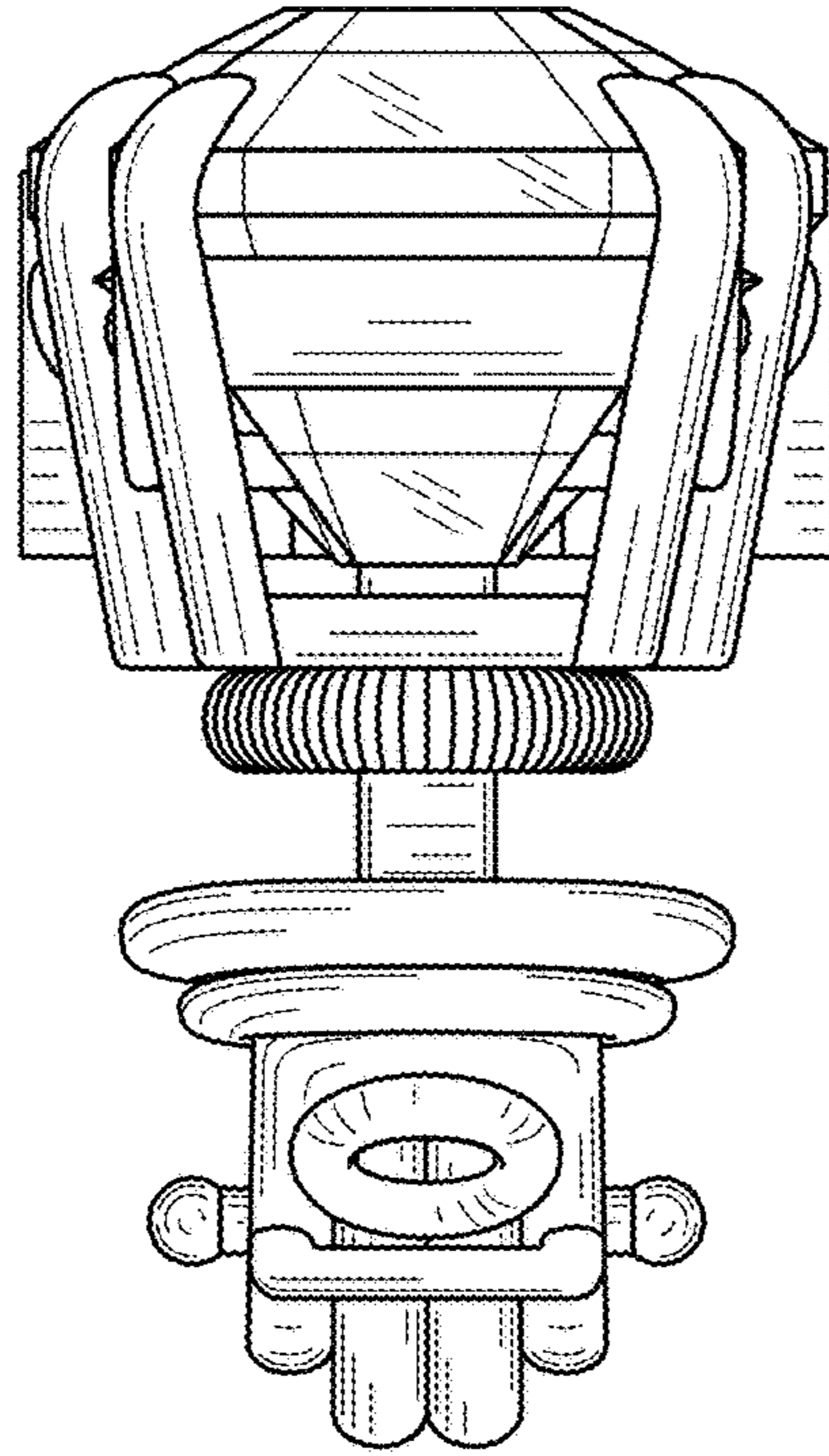


FIG. 6

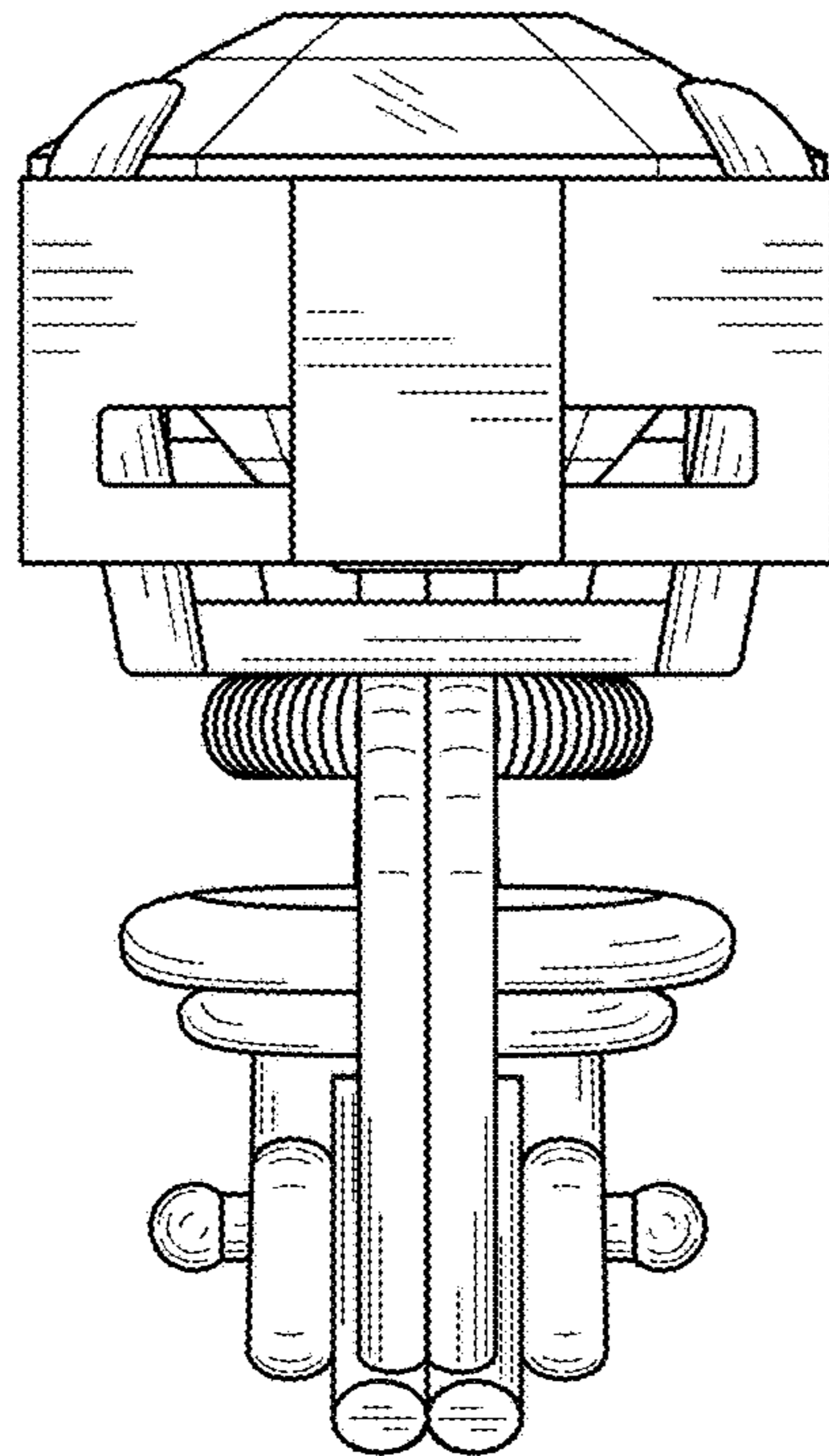


FIG. 7

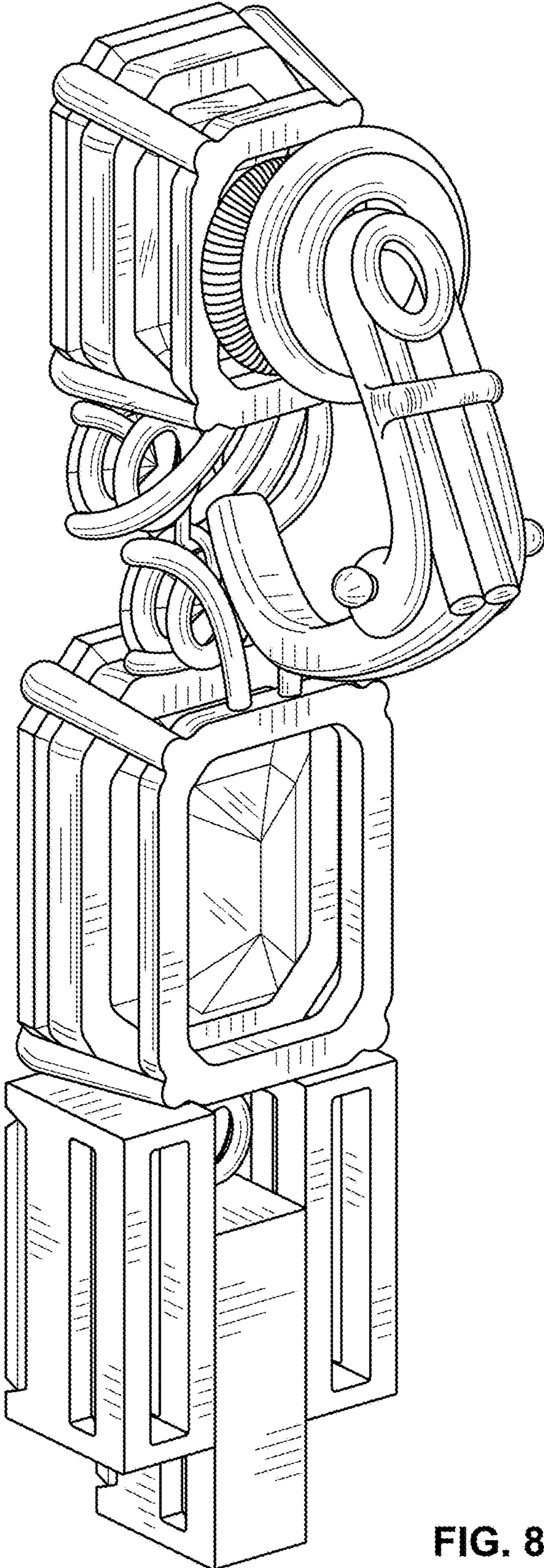


FIG. 8