



US00D780037S

(12) **United States Design Patent**
Magallanes-Leal

(10) **Patent No.:** **US D780,037 S**

(45) **Date of Patent:** **** Feb. 28, 2017**

(54) **EARRING**

(71) Applicant: **Cartier International AG**, Steinhausen (CH)

(72) Inventor: **Sofia Magallanes-Leal**, Paris (FR)

(73) Assignee: **Cartier International AG**, Steinhausen (CH)

(**) Term: **15 Years**

(21) Appl. No.: **29/534,996**

(22) Filed: **Aug. 3, 2015**

(51) **LOC (10) Cl.** **11-01**

(52) **U.S. Cl.**
USPC **D11/43; D11/79**

(58) **Field of Classification Search**
USPC D11/1, 2, 7, 8, 40-45, 47, 48, 79-86, 90,
D11/91, 92, 93, 54, 56
CPC .. A44C 1/00; A44C 3/00; A44C 3/004; A44C
3/005; A44C 3/007; A44C 3/008; A44C
5/02; A44C 7/002; A44C 25/00; A44C
25/001; A44C 25/002; A44C 25/004;
A44C 25/005; A44C 25/007
See application file for complete search history.

(56) **References Cited**

U.S. PATENT DOCUMENTS

D36,724 S *	1/1904	Levy	D11/85
1,045,106 A *	11/1912	Mayer	A44C 17/0216 368/285
1,732,250 A *	10/1929	Wehse	A44C 7/009 63/12
D97,535 S *	11/1935	Mossman, Jr.	D11/80
D251,115 S *	2/1979	Rothenberg	D11/81
D301,316 S *	5/1989	Yoshida	D11/75
D497,322 S *	10/2004	Gruosi-Scheufele	D11/79

D520,899 S *	5/2006	Lawlor	D11/79
7,121,117 B2 *	10/2006	Gruosi-Scheufele	A44C 17/0291 63/1.11	
D550,582 S *	9/2007	Gruosi-Scheufele	D11/43
D586,685 S *	2/2009	Grassi Damiani	D11/16
D626,878 S *	11/2010	Hardy	D11/79
D644,141 S *	8/2011	George	D11/1
D658,532 S *	5/2012	Papadimitriou	D11/40
D690,617 S *	10/2013	Lawlor	D11/103

(Continued)

OTHER PUBLICATIONS

[Online] <http://www.cartier.us/en-us/collections/jewelry/collections/amulette-de-cartier/earrings/b8301222-amulette-de-cartier-earrings.html>. Retrieved Apr. 26, 2016.*

Primary Examiner — Melanie Pellegrini
(74) *Attorney, Agent, or Firm* — Taft Stettinius & Hollister LLP

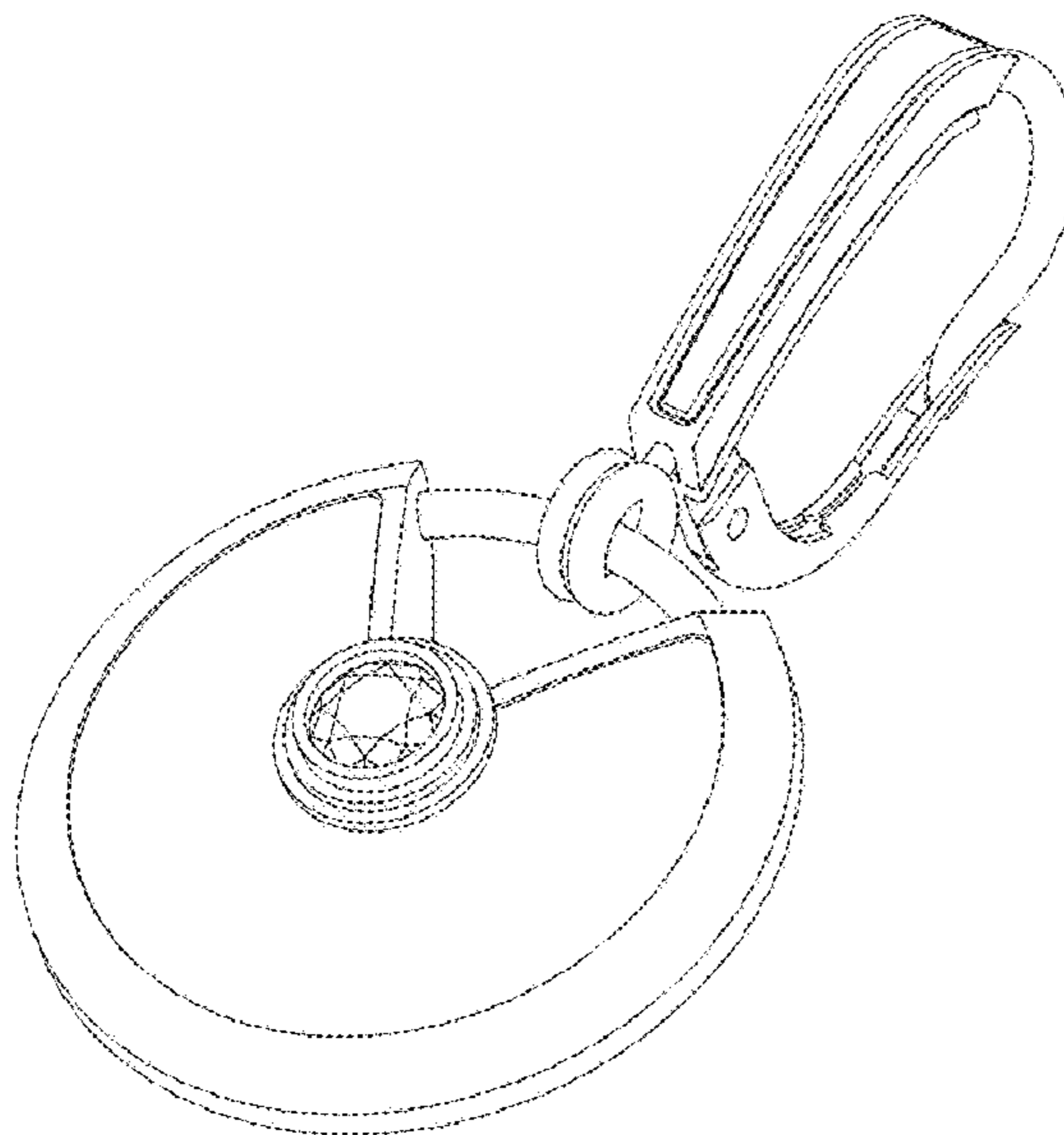
(57) **CLAIM**

The ornamental design of an earring, as shown and described.

DESCRIPTION

FIG. 1 is a front side view of an earring of the present invention.
FIG. 2 is a back side view of the earring of FIG. 1.
FIG. 3 is a right side view of the earring of FIG. 1.
FIG. 4 is a left side view of the earring of FIG. 1.
FIG. 5 is a bottom side view of the earring of FIG. 1.
FIG. 6 is a top side view of the earring of FIG. 1.
FIG. 7 is a front, right side perspective view of the earring of FIG. 1; and,
FIG. 8 is a back, left side perspective view of the earring of FIG. 1.

1 Claim, 2 Drawing Sheets



(56)

References Cited

U.S. PATENT DOCUMENTS

D695,643 S * 12/2013 Wolff D11/79
D736,665 S * 8/2015 Nemzer D11/79

* cited by examiner

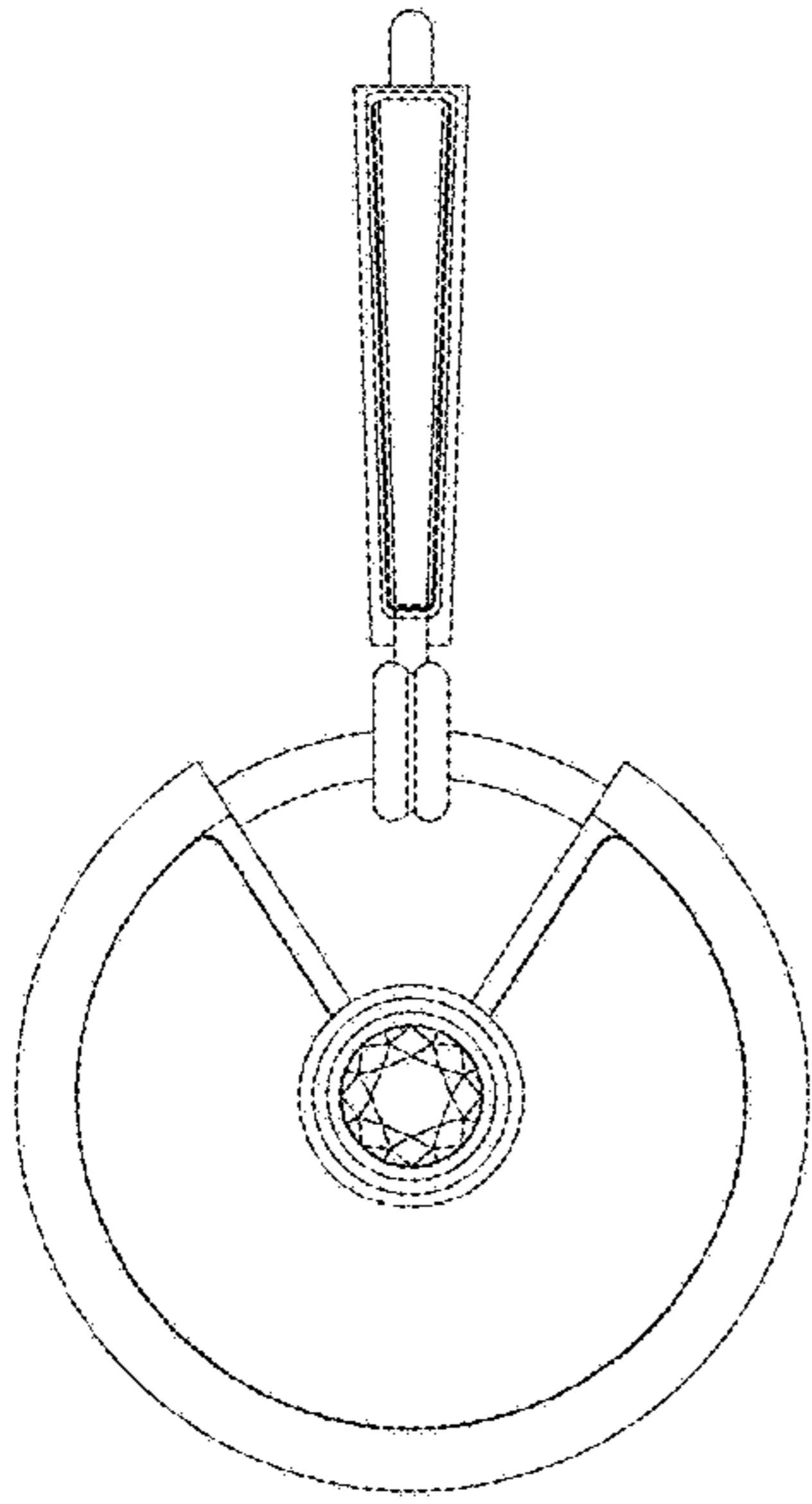


FIG 1

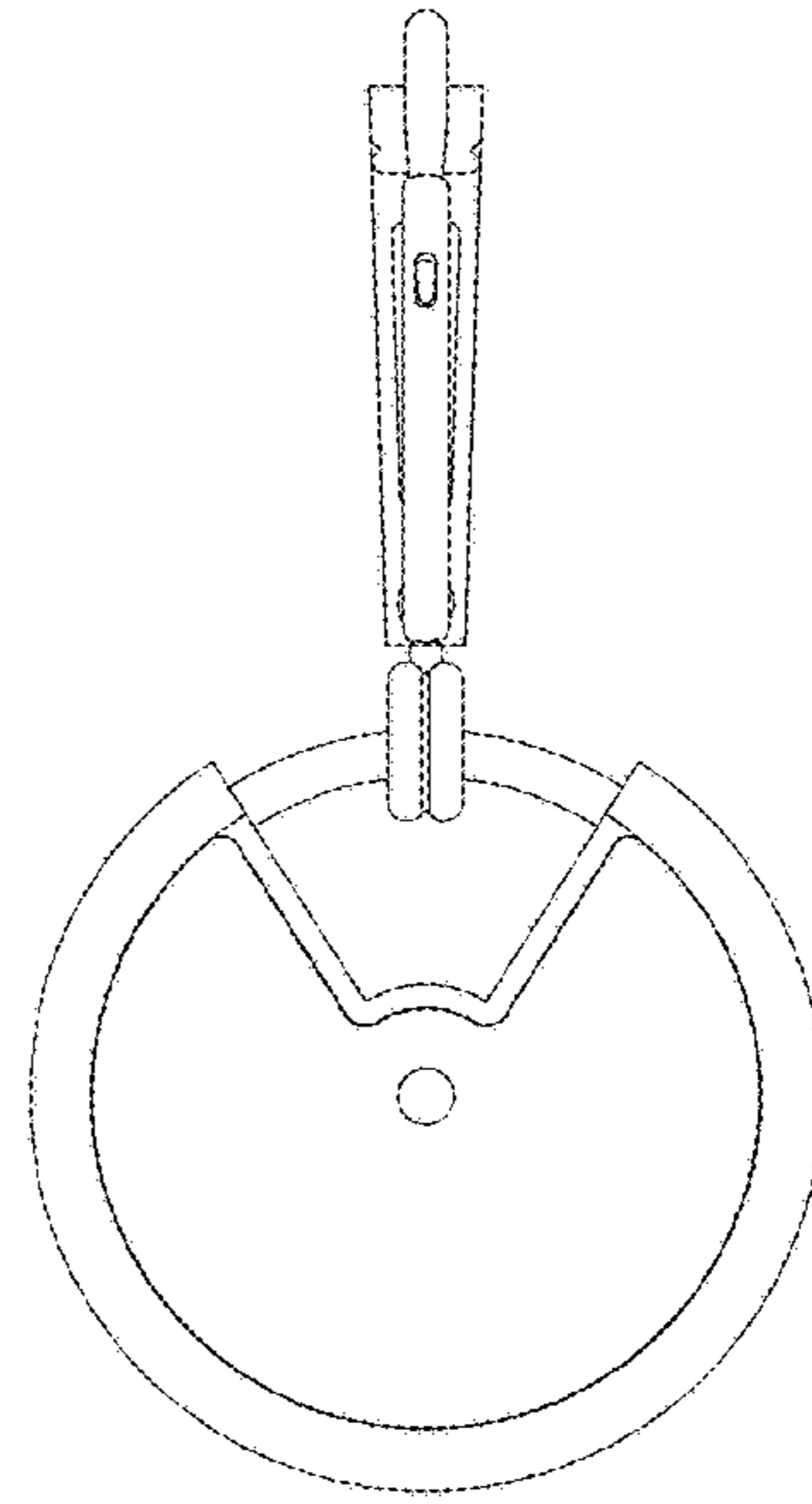


FIG 2

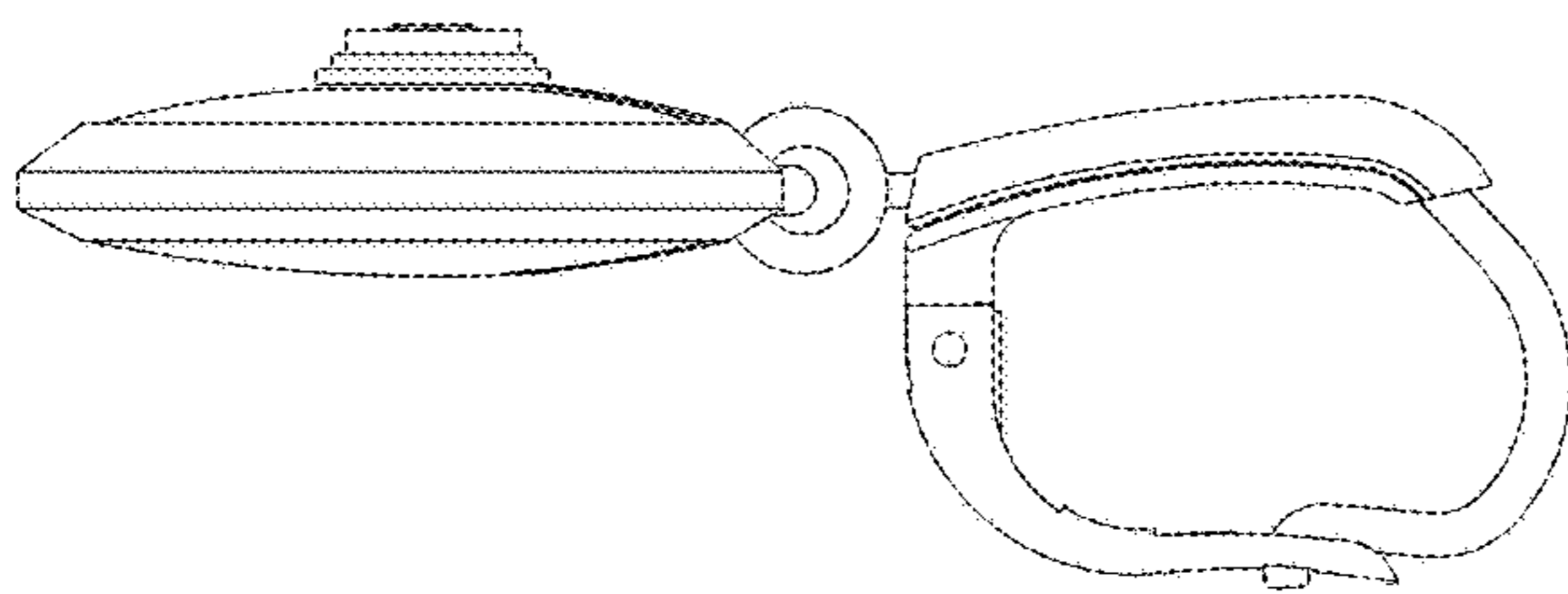


FIG 3

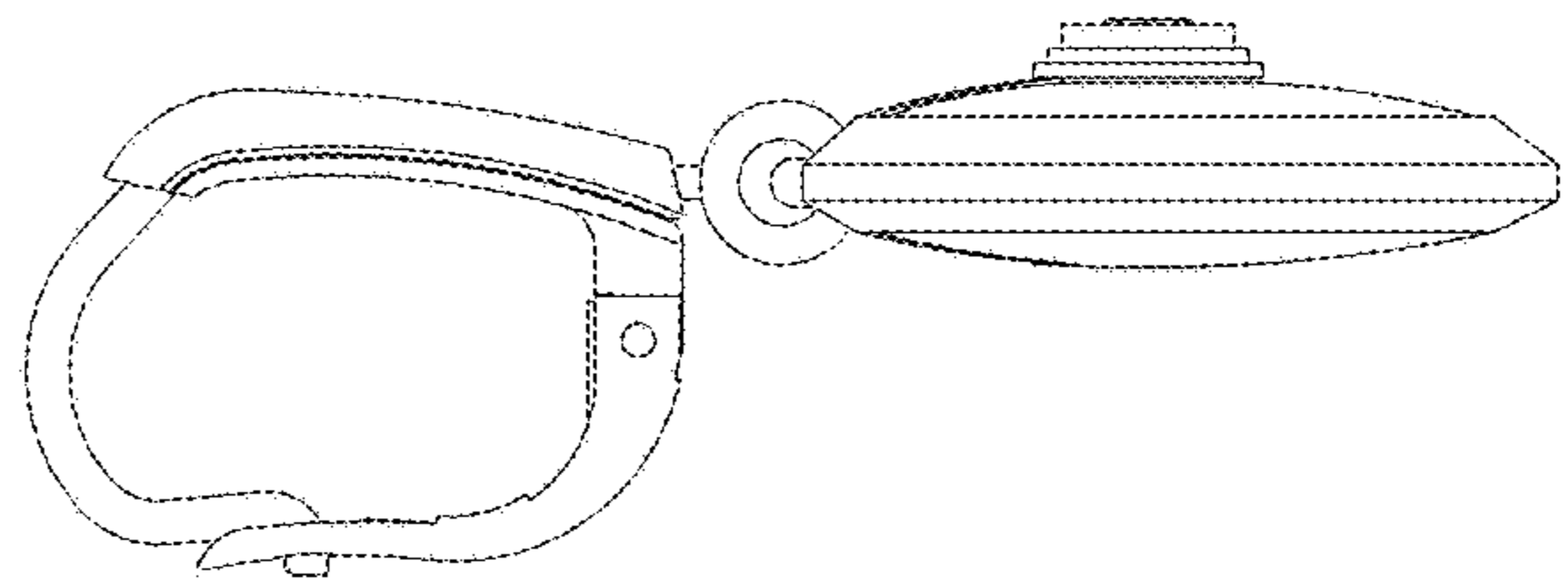


FIG 4

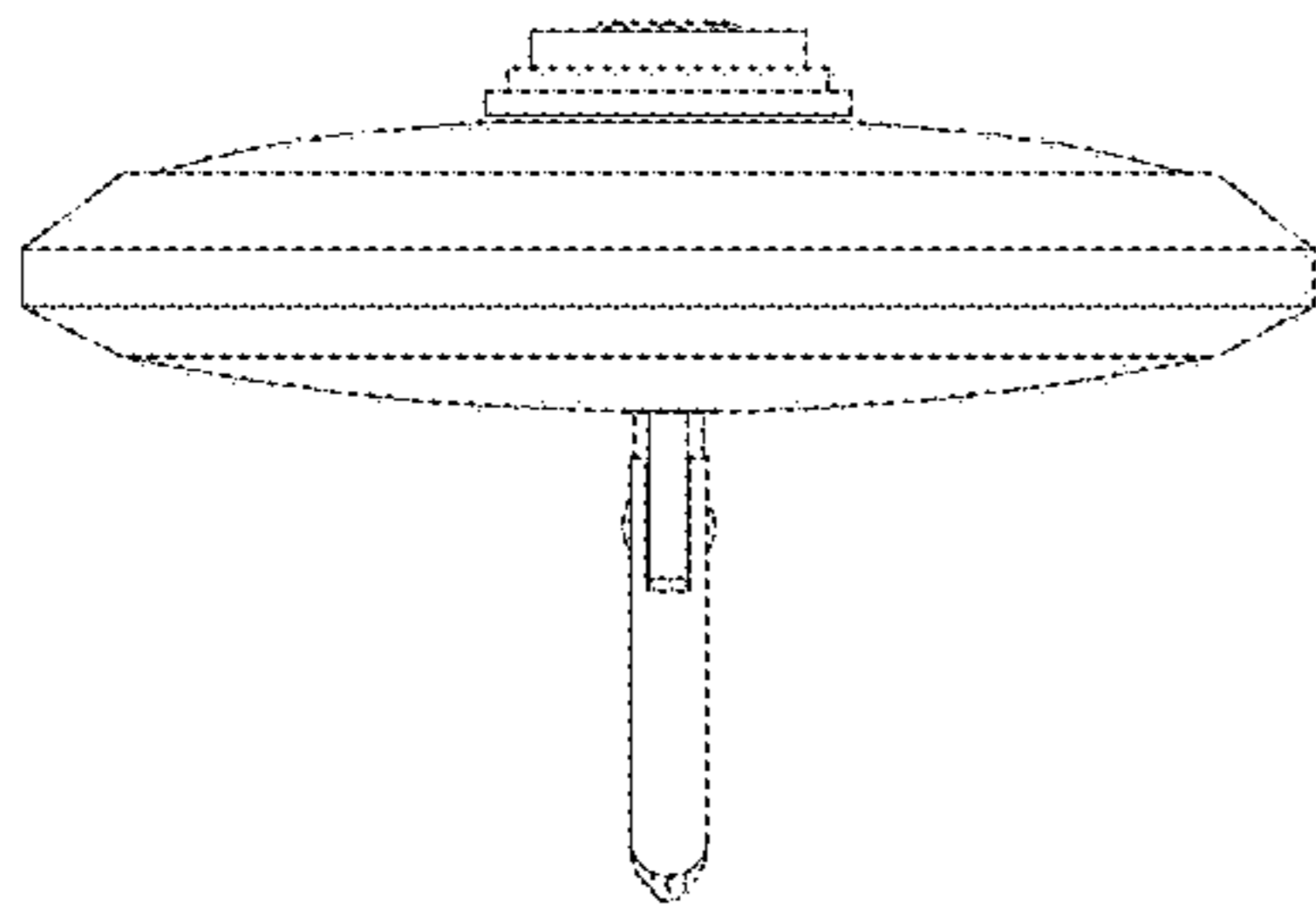


FIG. 5

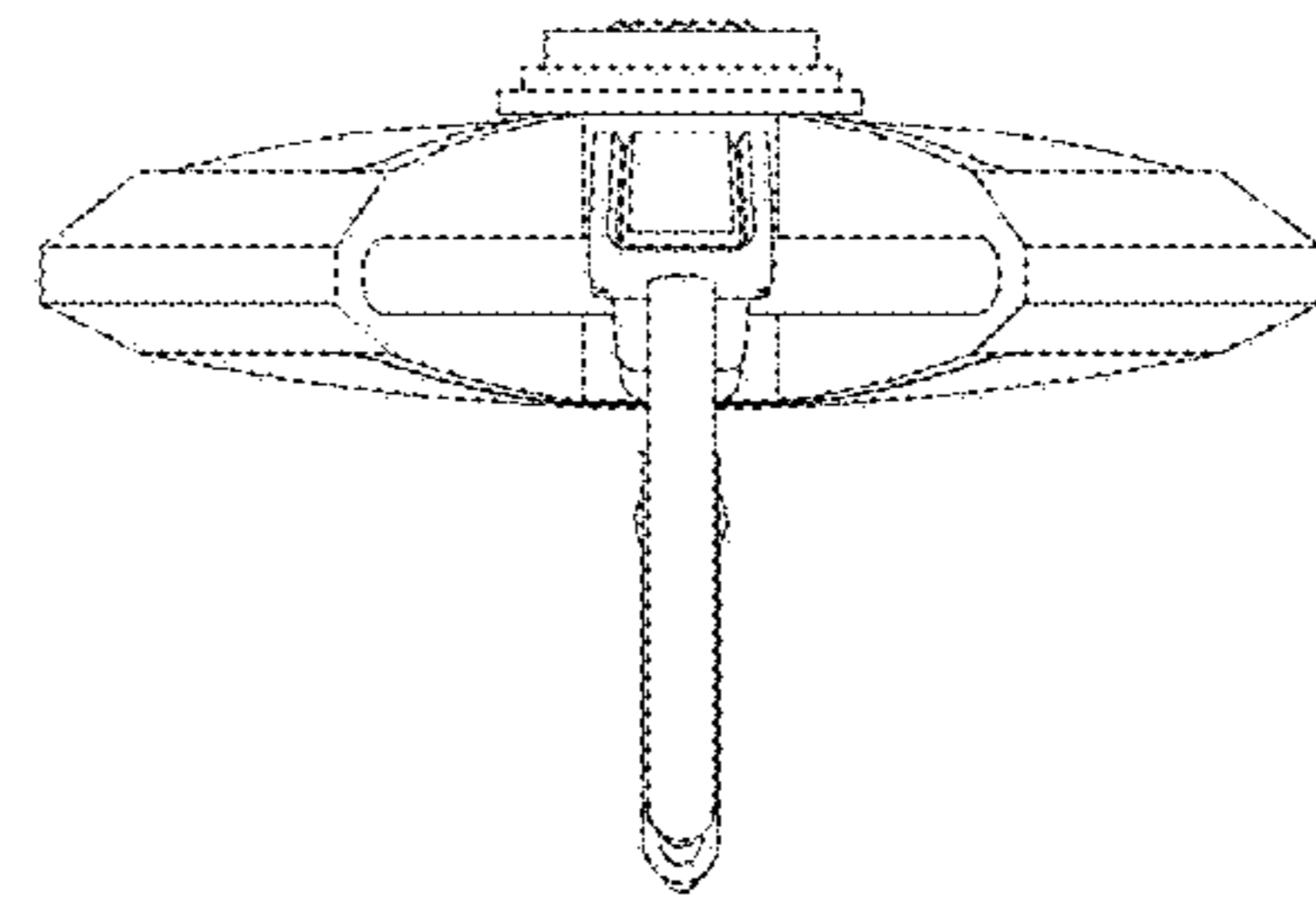


FIG. 6

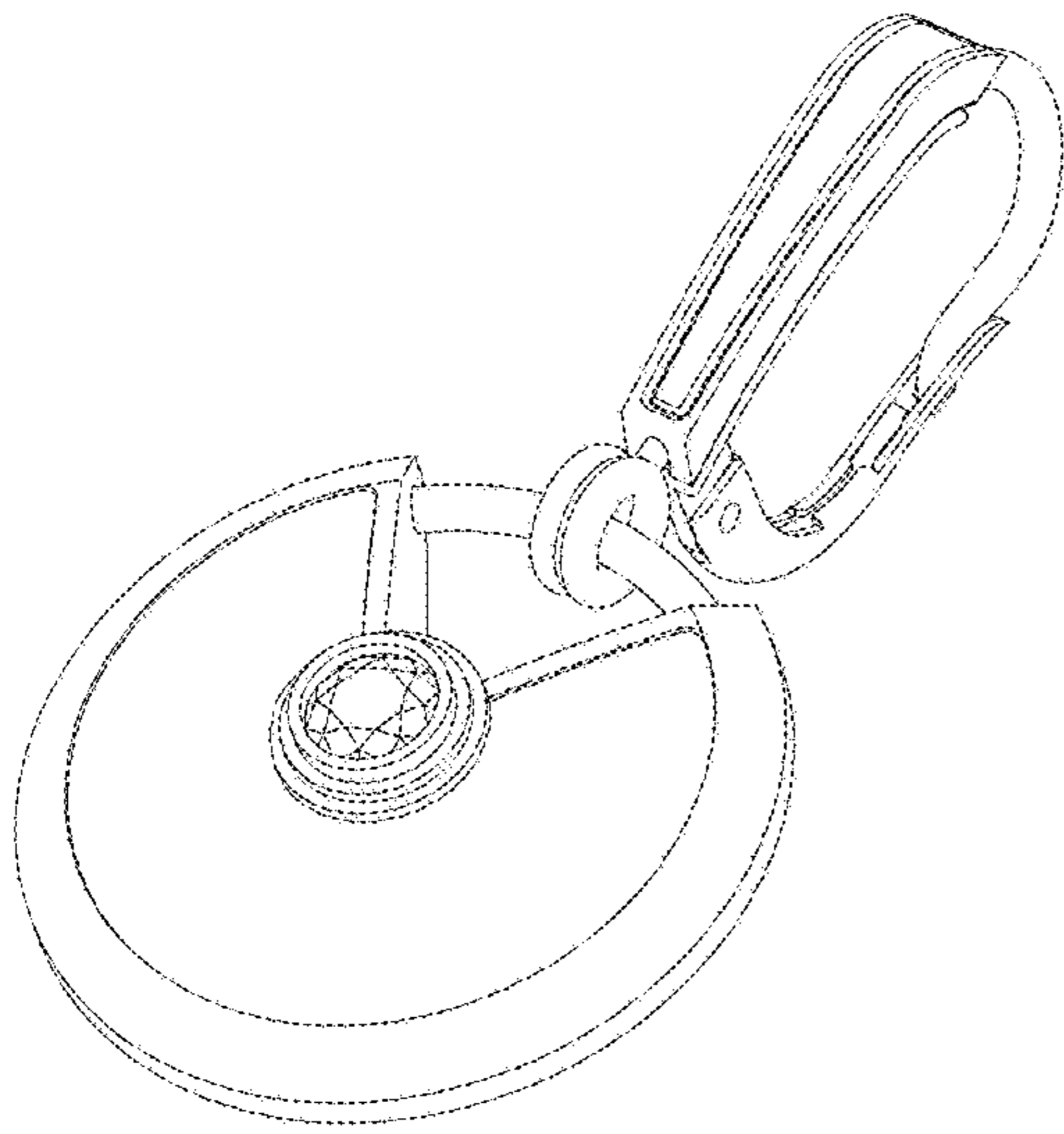


FIG. 7

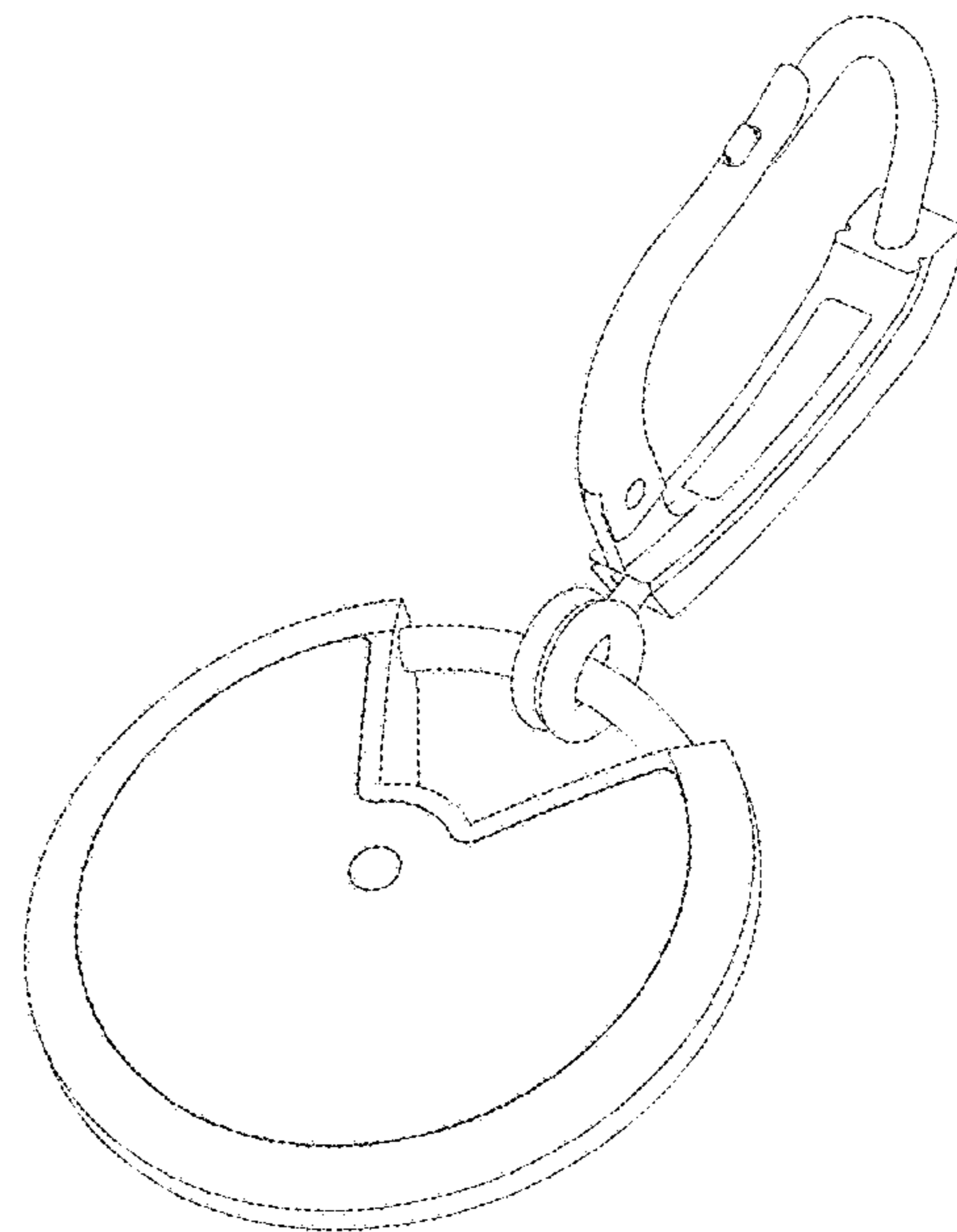


FIG. 8