



US00D780036S

(12) **United States Design Patent**  
**Silvestri**

(10) **Patent No.:** **US D780,036 S**

(45) **Date of Patent:** **\*\* Feb. 28, 2017**

(54) **EARRING**

(71) Applicant: **Bulgari S.p.A.**, Rome (IT)

(72) Inventor: **Lucia Silvestri**, Rome (IT)

(73) Assignee: **BULGARI S.P.A.**, Rome (IT)

(\*\*) Term: **15 Years**

(21) Appl. No.: **29/535,070**

(22) Filed: **Aug. 3, 2015**

(30) **Foreign Application Priority Data**

Feb. 4, 2015 (WO) ..... DM/085566

(51) **LOC (10) Cl.** ..... **11-01**

(52) **U.S. Cl.**  
USPC ..... **D11/42**

(58) **Field of Classification Search**  
USPC ..... D11/1, 2, 40-48, 79, 80, 81, 86, 87, 88,  
D11/91, 92

CPC ..... A44C 7/00; A44C 7/002; A44C 7/003;  
A44C 7/004; A44C 7/005; A44C 7/006;  
A44C 7/007; A44C 7/008; A44C 7/009;  
A44C 17/02; A44C 17/0208; A44C  
17/0216; A44C 17/0255; A44C 17/0233;  
A44C 17/0241; A44C 17/025; A44C  
17/0258; A44C 17/0266; A44C 25/00;  
A44C 25/001; A44C 25/007

See application file for complete search history.

(56) **References Cited**

**U.S. PATENT DOCUMENTS**

169,940 A \* 11/1875 Alden ..... A44C 7/00  
63/13  
D132,457 S \* 5/1942 Nathan ..... D11/75

D260,744 S \* 9/1981 Barr ..... D11/43  
D308,949 S \* 7/1990 Bulgari ..... D11/42  
D458,182 S \* 6/2002 Gruosi ..... D11/43  
D606,886 S \* 12/2009 Bulgari ..... D10/32  
D606,894 S \* 12/2009 Bulgari ..... D11/5  
D748,522 S \* 2/2016 Vartanian ..... D11/40

**OTHER PUBLICATIONS**

[Online] <http://www.bulgari.com/media/catalog/product/cache/2/image/9df78eab33525d08d6e5fb8d27136e95/S/e/Serpenti-Earrings-BVLGARI-350811-E-1.png>. Retrieved Mar. 29, 2016.\*

\* cited by examiner

*Primary Examiner* — Melanie Pellegrini

(74) *Attorney, Agent, or Firm* — Stephen Kenny; Peter Sullivan; Foley Hoag LLP

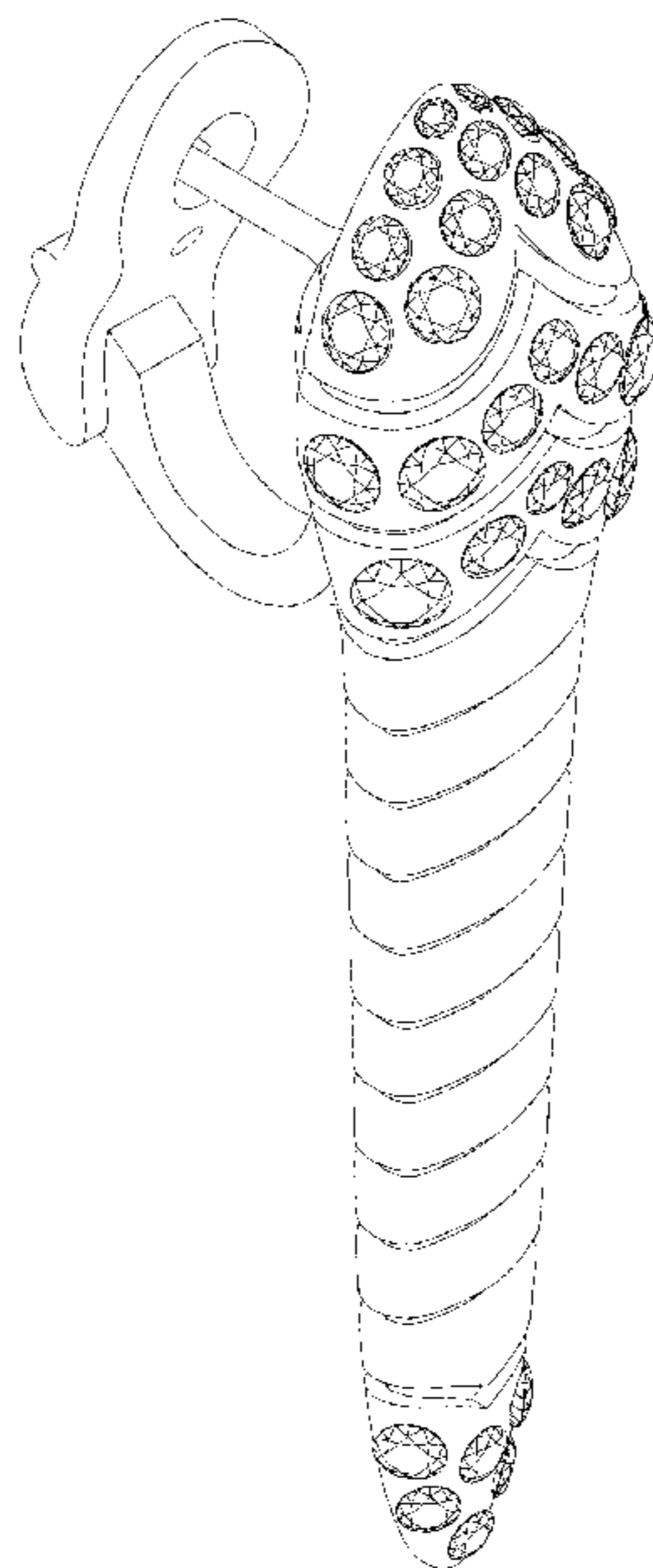
(57) **CLAIM**

The ornamental design for an earring, as shown and described.

**DESCRIPTION**

FIG. 1 is a front view of an earring showing my new design; FIG. 2 is a left side view thereof; FIG. 3 is a right side view thereof; FIG. 4 is a back view thereof; FIG. 5 is a bottom view thereof; FIG. 6 is a top view thereof; and, FIG. 7 is a perspective view thereof.

**1 Claim, 7 Drawing Sheets**



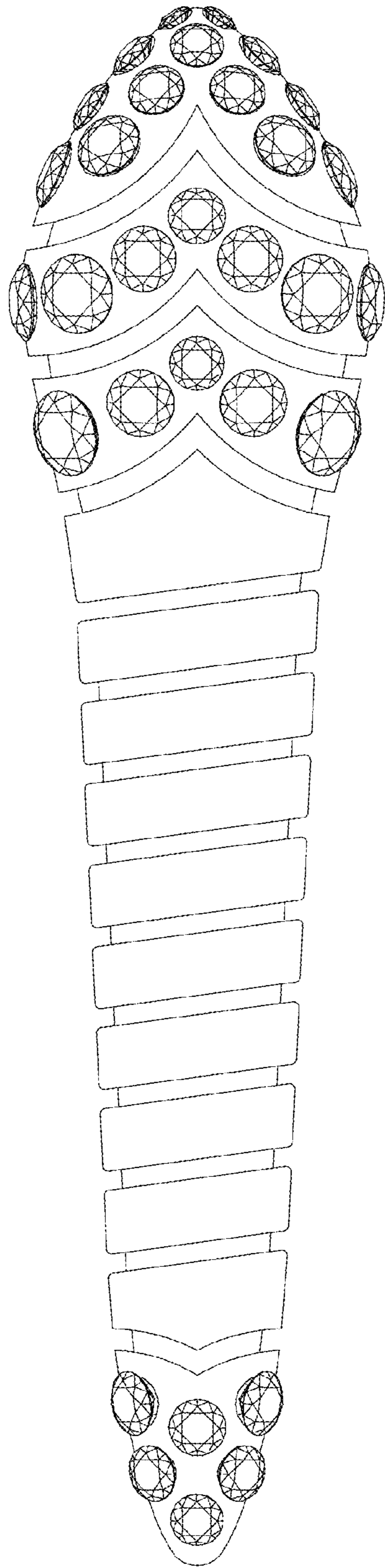


FIG. 1

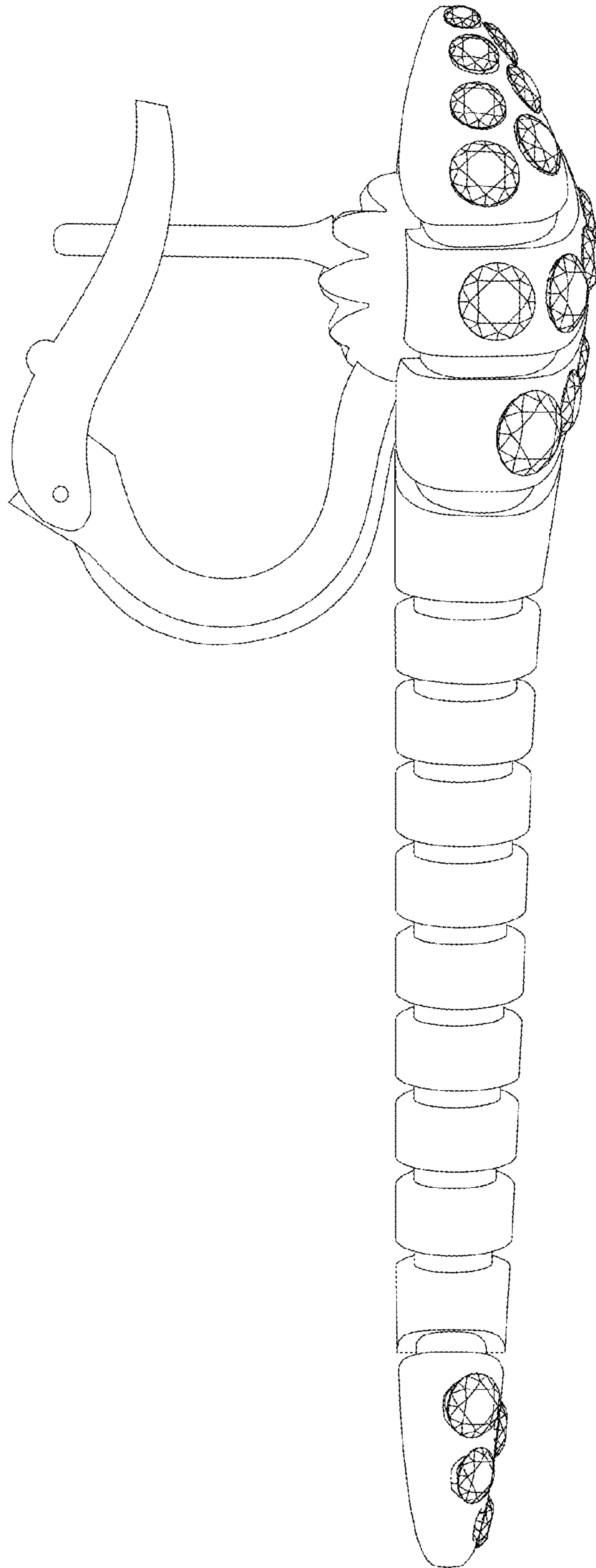


FIG. 2

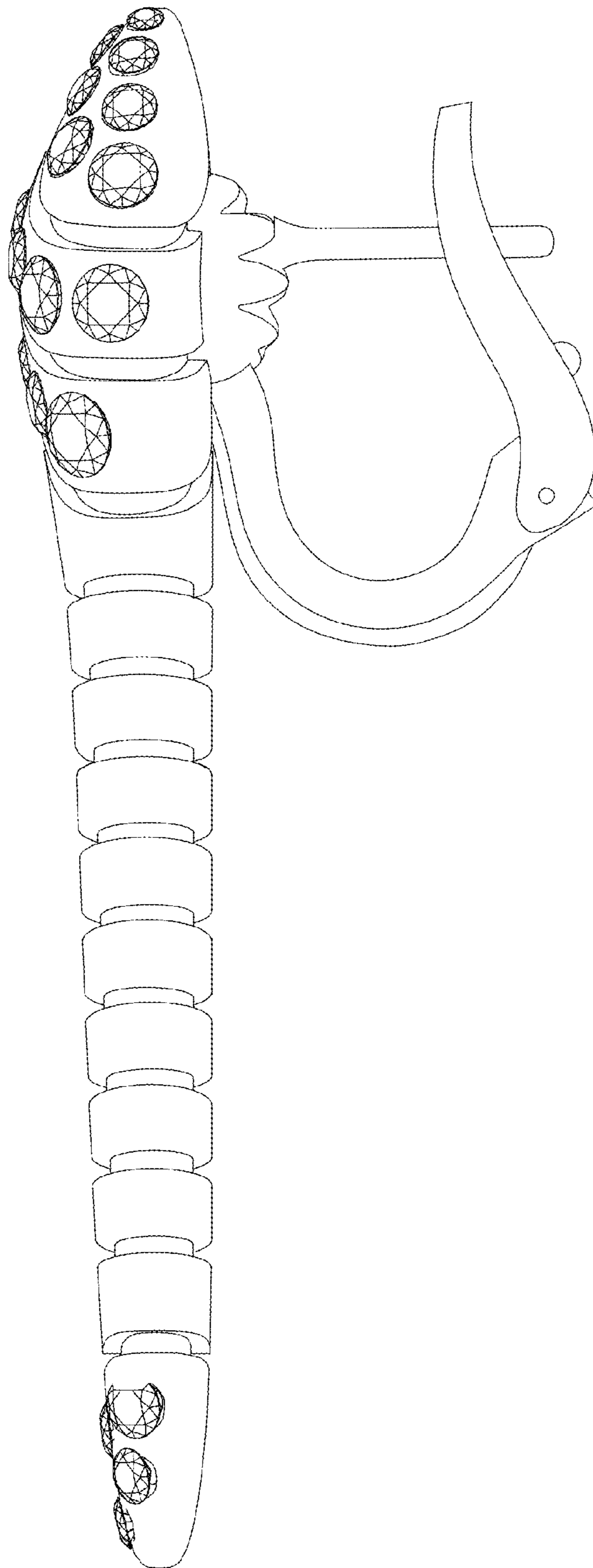


FIG. 3

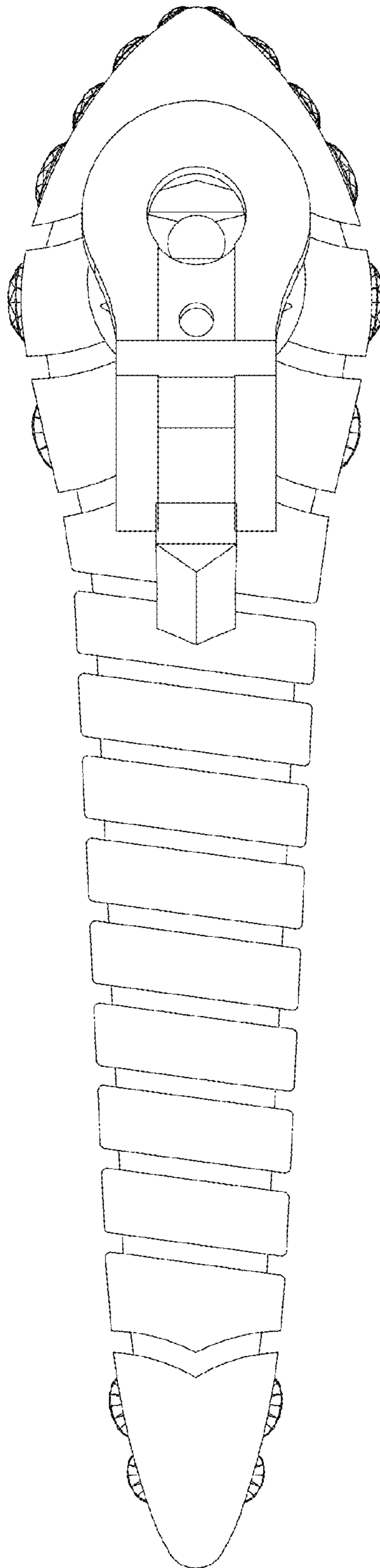


FIG.4

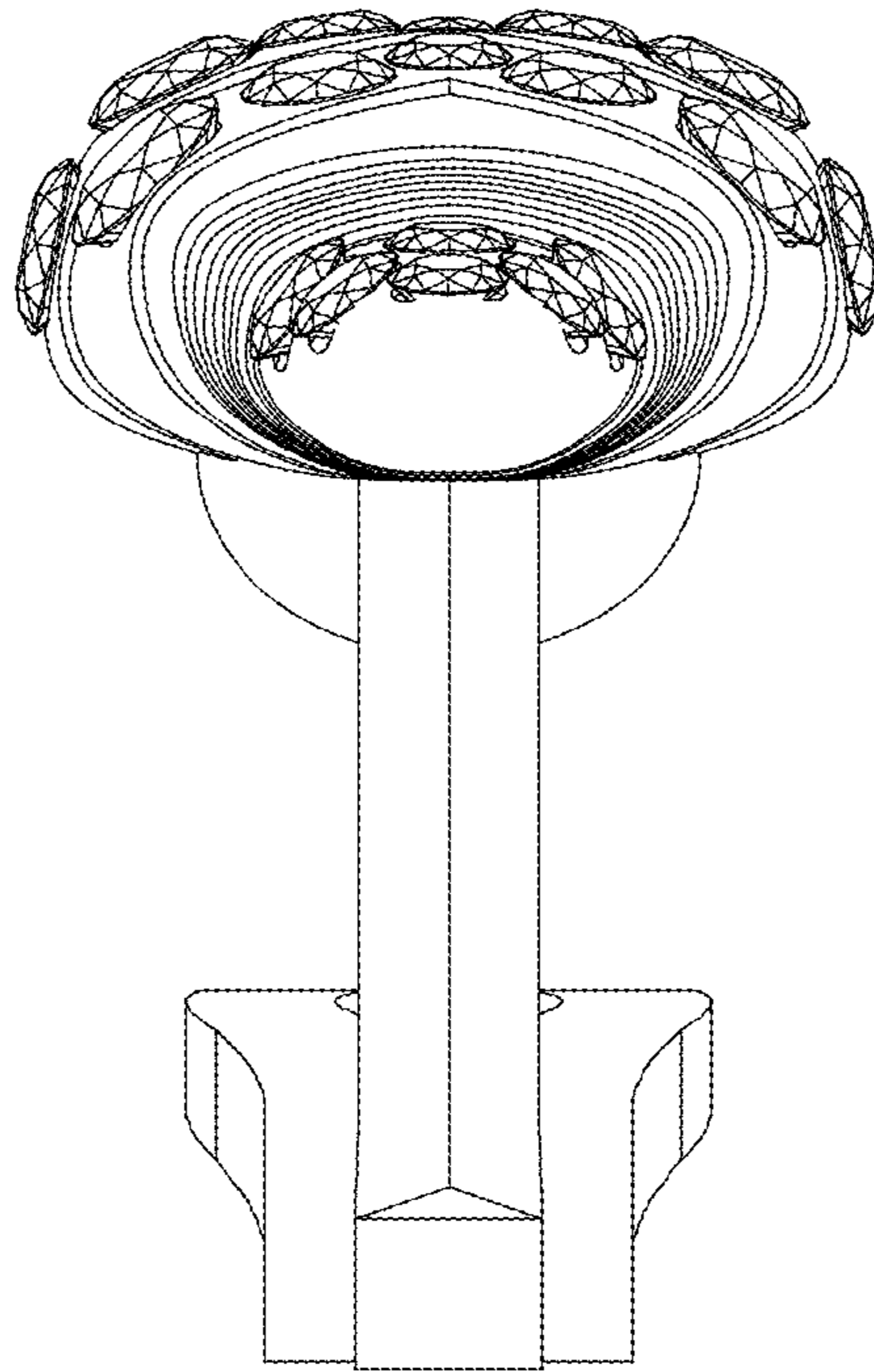


FIG. 5

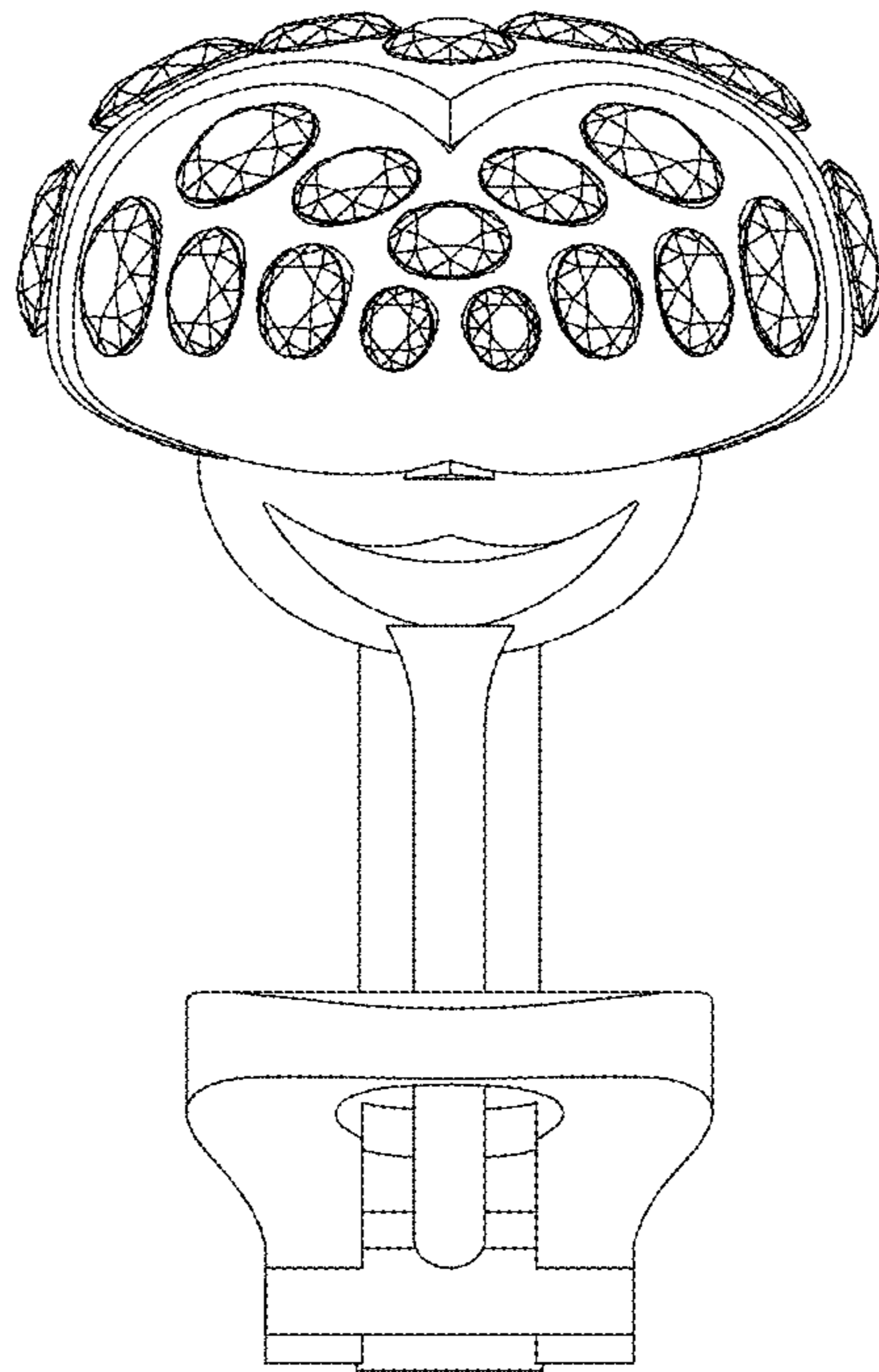


FIG. 6

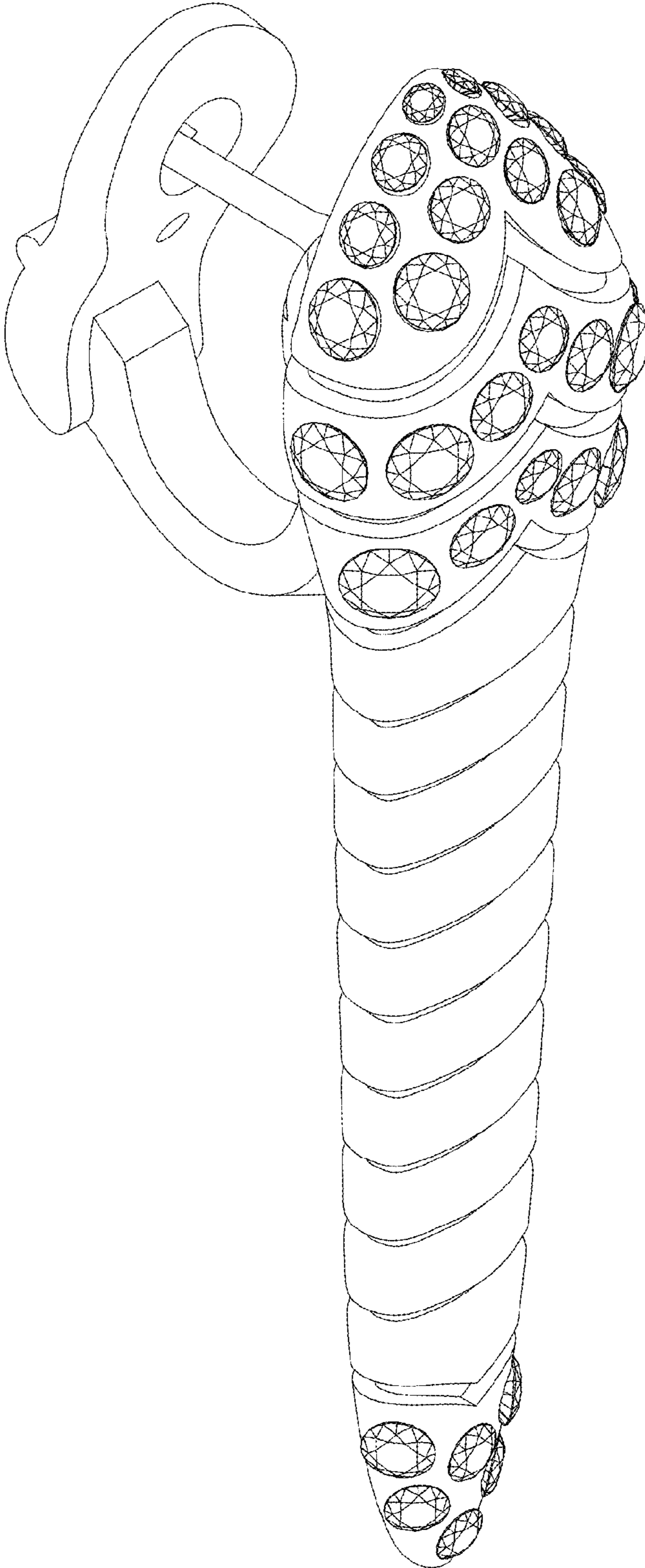


FIG. 7