



US00D780035S

(12) **United States Design Patent** (10) **Patent No.:** **US D780,035 S**
Bulgari (45) **Date of Patent:** **** Feb. 28, 2017**

(54) **JEWELRY ARTICLE**
(71) Applicant: **Bulgari S.p.A.**, Rome (IT)
(72) Inventor: **Paolo Bulgari**, Rome (IT)
(73) Assignee: **BULGARI S.P.A.**, Rome (IT)
(**) Term: **14 Years**

D458,182 S * 6/2002 Gruosi D11/43
D485,779 S * 1/2004 Steckbeck D11/7
D499,046 S * 11/2004 Pinto et al. D11/79
D606,886 S * 12/2009 Bulgari D10/32
D606,894 S * 12/2009 Bulgari D11/5
D620,385 S * 7/2010 Javaheri D11/43
D643,325 S * 8/2011 Marchand D11/79

(21) Appl. No.: **29/521,926**
(22) Filed: **Mar. 26, 2015**

Related U.S. Application Data

(62) Division of application No. 29/460,411, filed on Jul. 10, 2013.

Foreign Application Priority Data

Jan. 11, 2013 (WO) DM/079879
(51) **LOC (10) Cl.** **11-01**
(52) **U.S. Cl.**
USPC **D11/42**

(58) **Field of Classification Search**
USPC D11/1-25, 40-48, 79, 80, 81, 82, 83
CPC A44C 1/00; A44C 15/005; A44C 15/0055;
A44C 15/001; A44C 25/00; A44C
25/001; A44C 17/02; A44C 5/00; A44C
5/0007; A44C 5/0015; A44C 5/02; A44C
7/00; A44C 7/002; A44C 7/003; A44C
7/004; A44C 7/005; A44C 7/006; A44C
7/007; A44C 7/008; A44C 7/009
See application file for complete search history.

(56) **References Cited**

U.S. PATENT DOCUMENTS

D279,879 S * 7/1985 Moon D11/43
D308,949 S * 7/1990 Bulgari D11/43

OTHER PUBLICATIONS

[Online] <http://www.globalblue.com/destinations/france/frenchriviera/bulgari-summer-collections/#slide-2>. Posted Jun. 14, 2013. Retrieved Jul. 29, 2015.*

* cited by examiner

Primary Examiner — Melanie Pellegrini
(74) *Attorney, Agent, or Firm* — Stephen Kenny; Peter Sullivan; Foley Hoag LLP

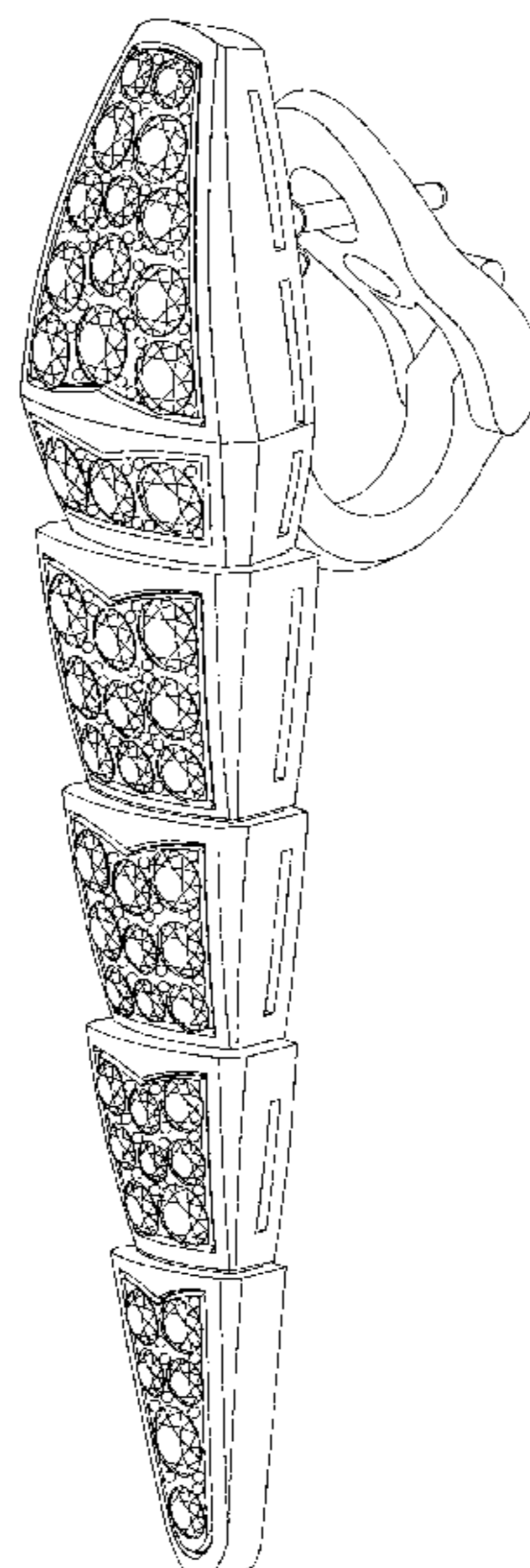
(57) **CLAIM**

The ornamental design for a jewelry article, as shown and described.

DESCRIPTION

FIG. 1 is a front view of a jewelry article showing my new design.
FIG. 2 is a rear view thereof.
FIG. 3 is a front, bottom and right side perspective view thereof.
FIG. 4 is a left side view thereof.
FIG. 5 is a right side view thereof.
FIG. 6 is a front and right side perspective view thereof; and,
FIG. 7 is a top and right side perspective view thereof.
The broken lines shown in FIG. 2 represent portions of the jewelry article which form no part of the claimed design.

1 Claim, 7 Drawing Sheets



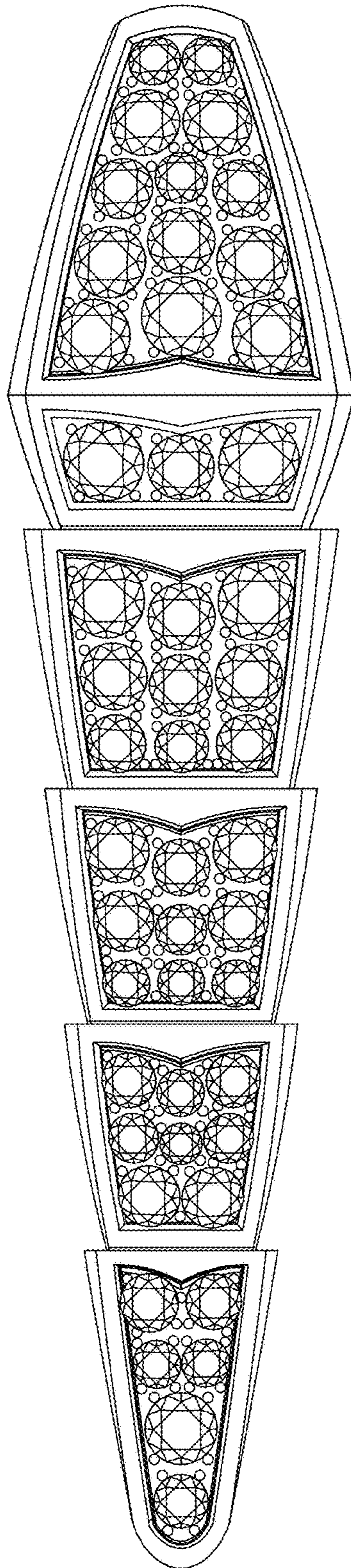


FIG. 1

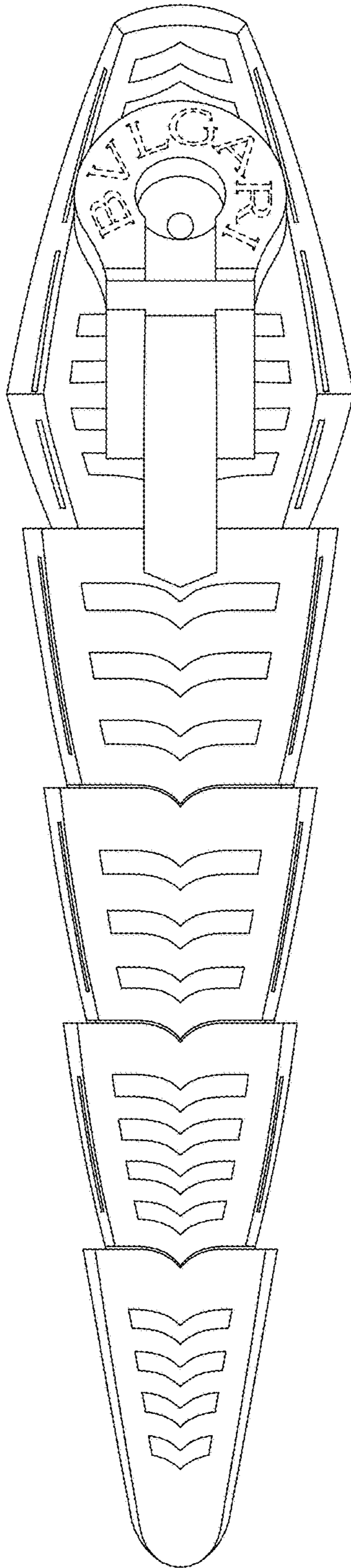


FIG. 2

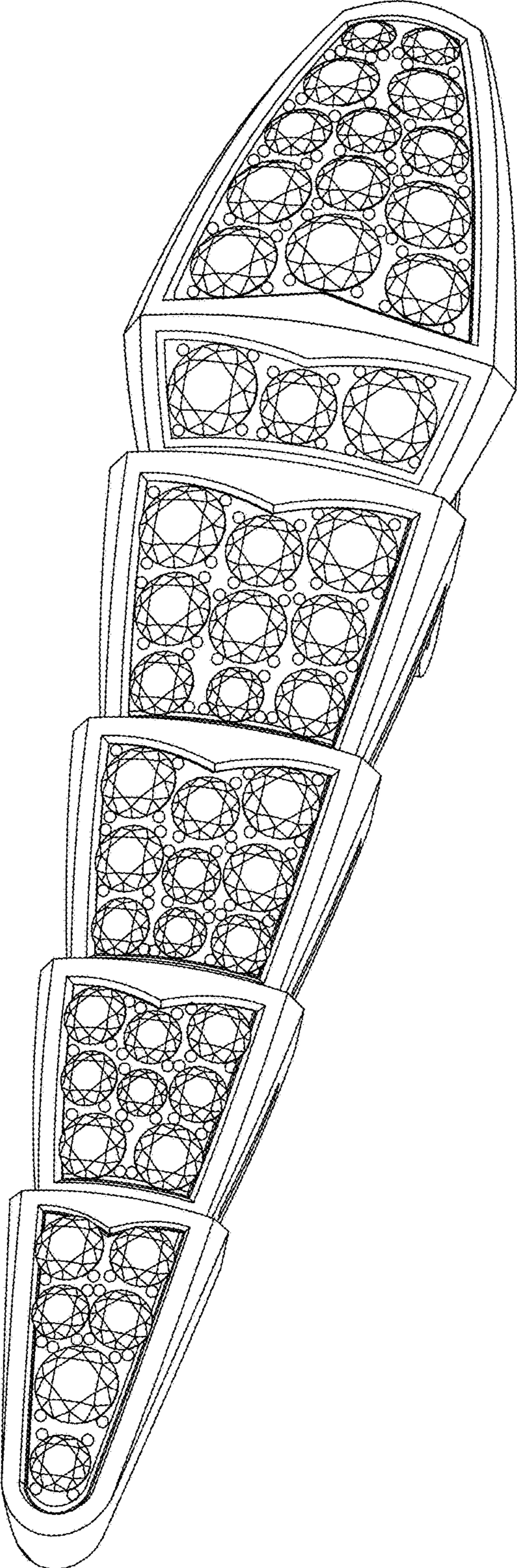


FIG. 3

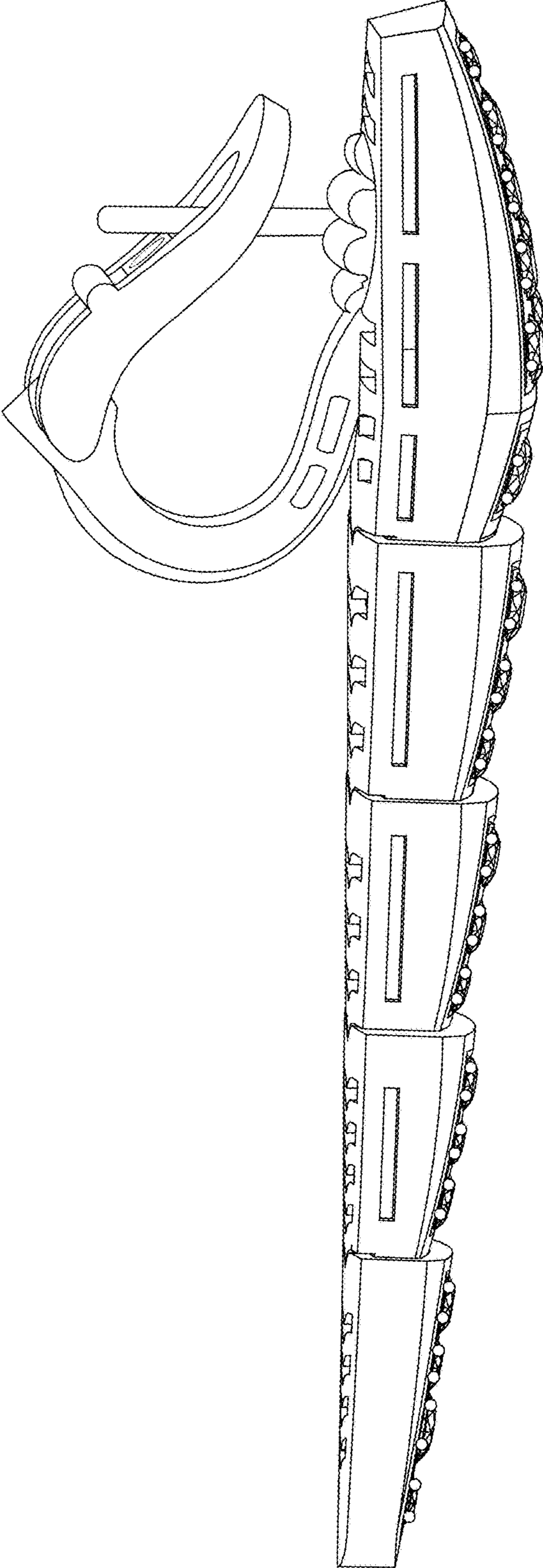


FIG.4

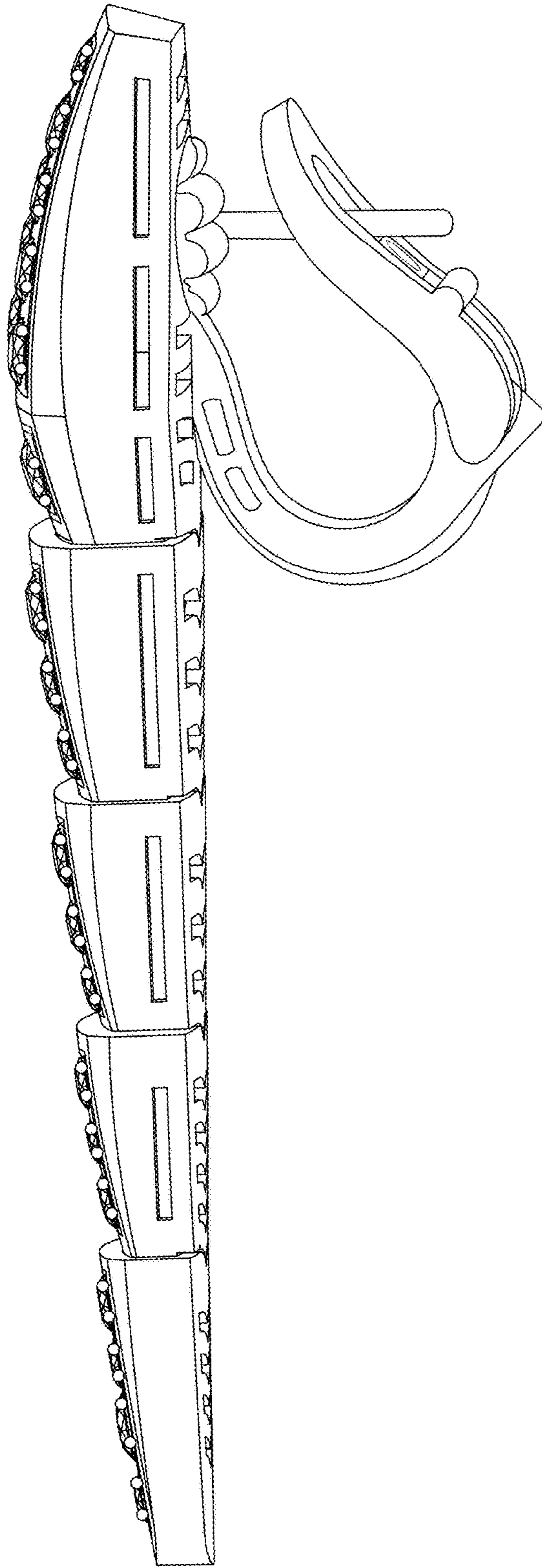


FIG.5

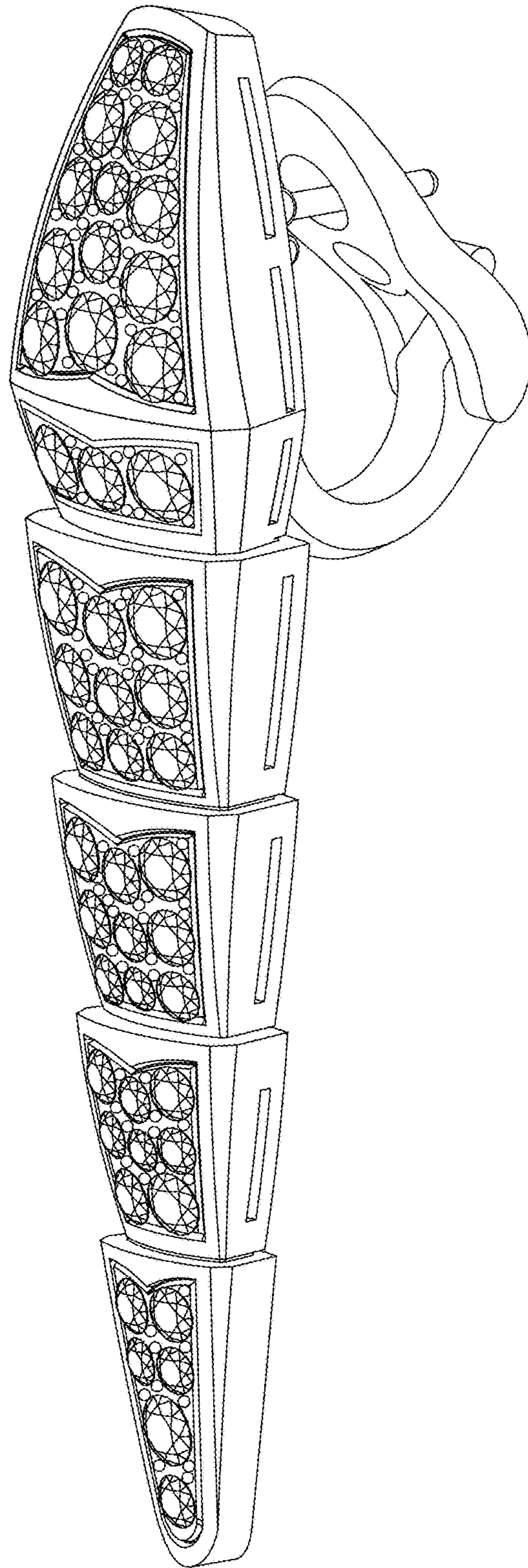


FIG. 6

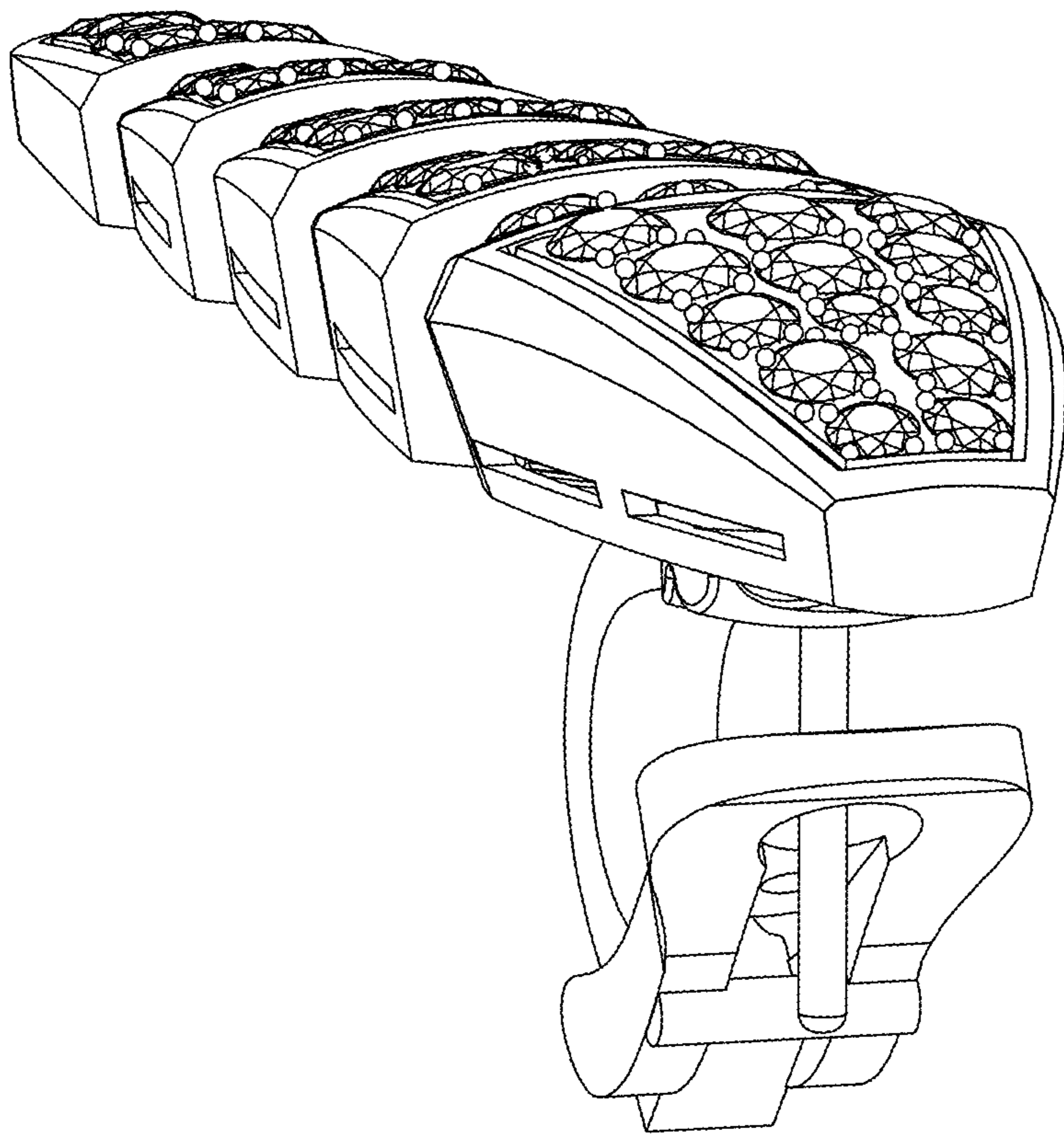


FIG. 7