



US00D780034S

(12) **United States Design Patent**
Kwon

(10) **Patent No.:** **US D780,034 S**

(45) **Date of Patent:** **** Feb. 28, 2017**

(54) **EARRING**

(71) Applicant: **HARRY WINSTON SA,**
Plan-les-Ouates (CH)

(72) Inventor: **Chaeree Kwon,** Brooklyn, NY (US)

(73) Assignee: **HARRY WINSTON SA,**
Plan-les-Ouates (CH)

(**) Term: **15 Years**

(21) Appl. No.: **29/552,740**

(22) Filed: **Jan. 26, 2016**

(30) **Foreign Application Priority Data**

Aug. 19, 2015 (WO) DM/087 275

(51) **LOC (10) Cl.** **11-01**

(52) **U.S. Cl.**
USPC **D11/40**

(58) **Field of Classification Search**

USPC D11/1, 2, 40-48, 79, 80, 81, 87, 88, 91, 92
CPC A44C 7/00; A44C 7/002; A44C 7/003;
A44C 7/004; A44C 7/005; A44C 7/006;
A44C 7/007; A44C 7/008; A44C 7/009;
A44C 17/02; A44C 17/0208; A44C
17/0216; A44C 17/0255; A44C 17/0233;
A44C 17/0241; A44C 17/025; A44C
17/0258; A44C 17/0266; A44C 25/00;
A44C 25/001; A44C 25/007
See application file for complete search history.

(56) **References Cited**

U.S. PATENT DOCUMENTS

D137,311 S * 2/1944 Rubel D11/42
D137,548 S * 3/1944 Philippe D11/40

D145,263 S * 7/1946 Philippe D11/40
D147,075 S * 7/1947 Philippe D11/40
D155,511 S * 10/1949 Janousek D11/42
D169,779 S * 6/1953 Philippe D11/40
D292,560 S * 11/1987 Di Maria D11/27
D334,004 S * 3/1993 Mandelbaum D11/4
D511,310 S * 11/2005 Gruosi D11/41
D545,716 S * 7/2007 Bulgari D11/40
D562,718 S * 2/2008 Wong D11/40
D759,535 S * 6/2016 Yatsugi-Kang D11/34

OTHER PUBLICATIONS

[Online] <http://www.harrywinston.com/en/crossover-harry-winston-ruby-earrings>. Retrieved Nov. 21, 2016.*

[Online] http://www.medalliontradingcompany.com/uploads/3/9/3/4/39344193/s344235189840722082_p7_i4_w500.jpeg. Retrieved Nov. 21, 2016.*

* cited by examiner

Primary Examiner — Melanie Pellegrini

(74) *Attorney, Agent, or Firm* — Donald J. Ranft; Collen IP

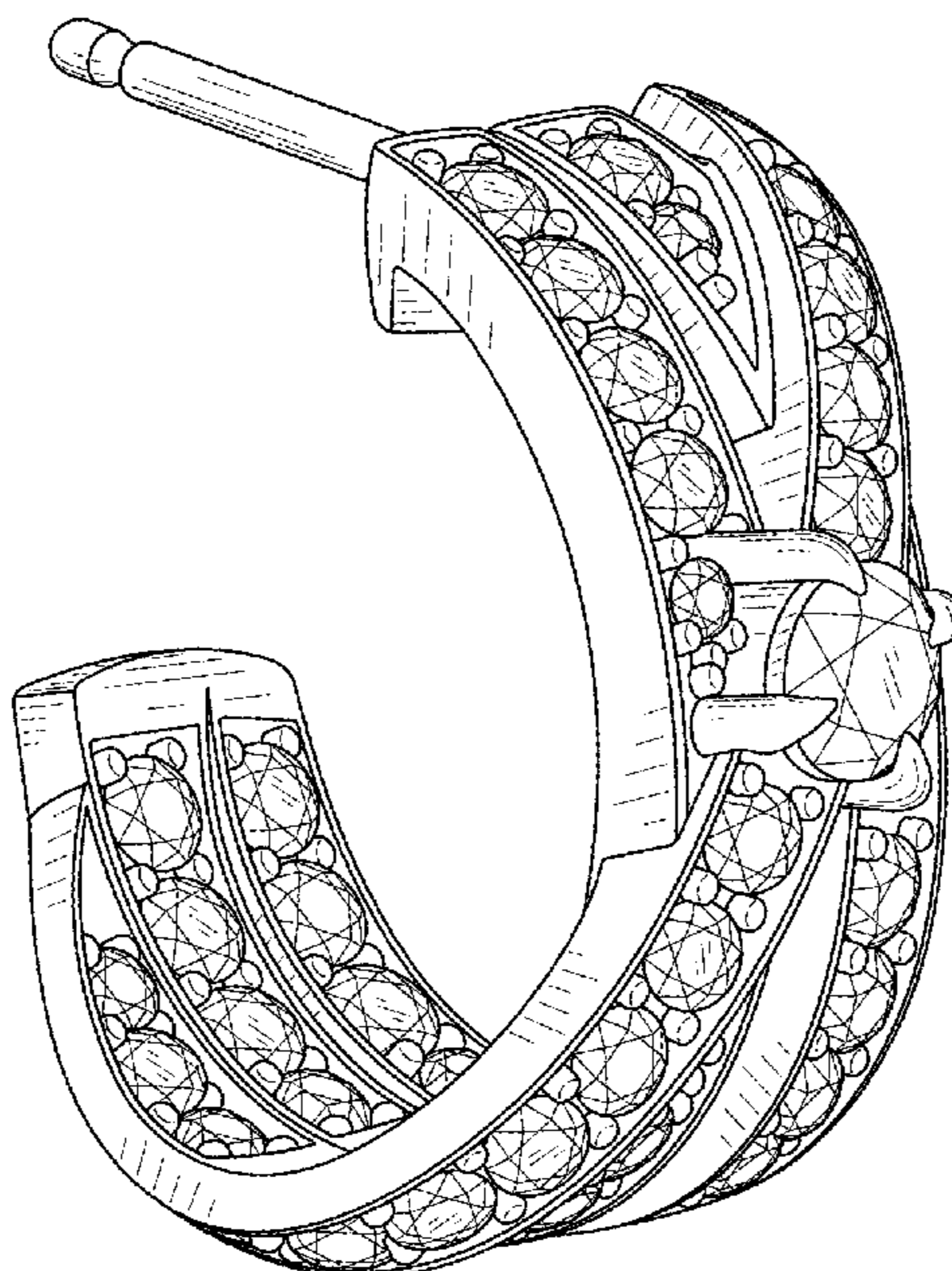
(57) **CLAIM**

The ornamental design for an earring, as shown.

DESCRIPTION

FIG. 1 is a front left perspective view of an earring showing my new design;
FIG. 2 is a front view thereof;
FIG. 3 is a rear view thereof;
FIG. 4 is a left side view thereof;
FIG. 5 is a right side view thereof;
FIG. 6 is a top view thereof;
FIG. 7 is a bottom view thereof; and,
FIG. 8 is a rear left perspective view thereof.

1 Claim, 5 Drawing Sheets



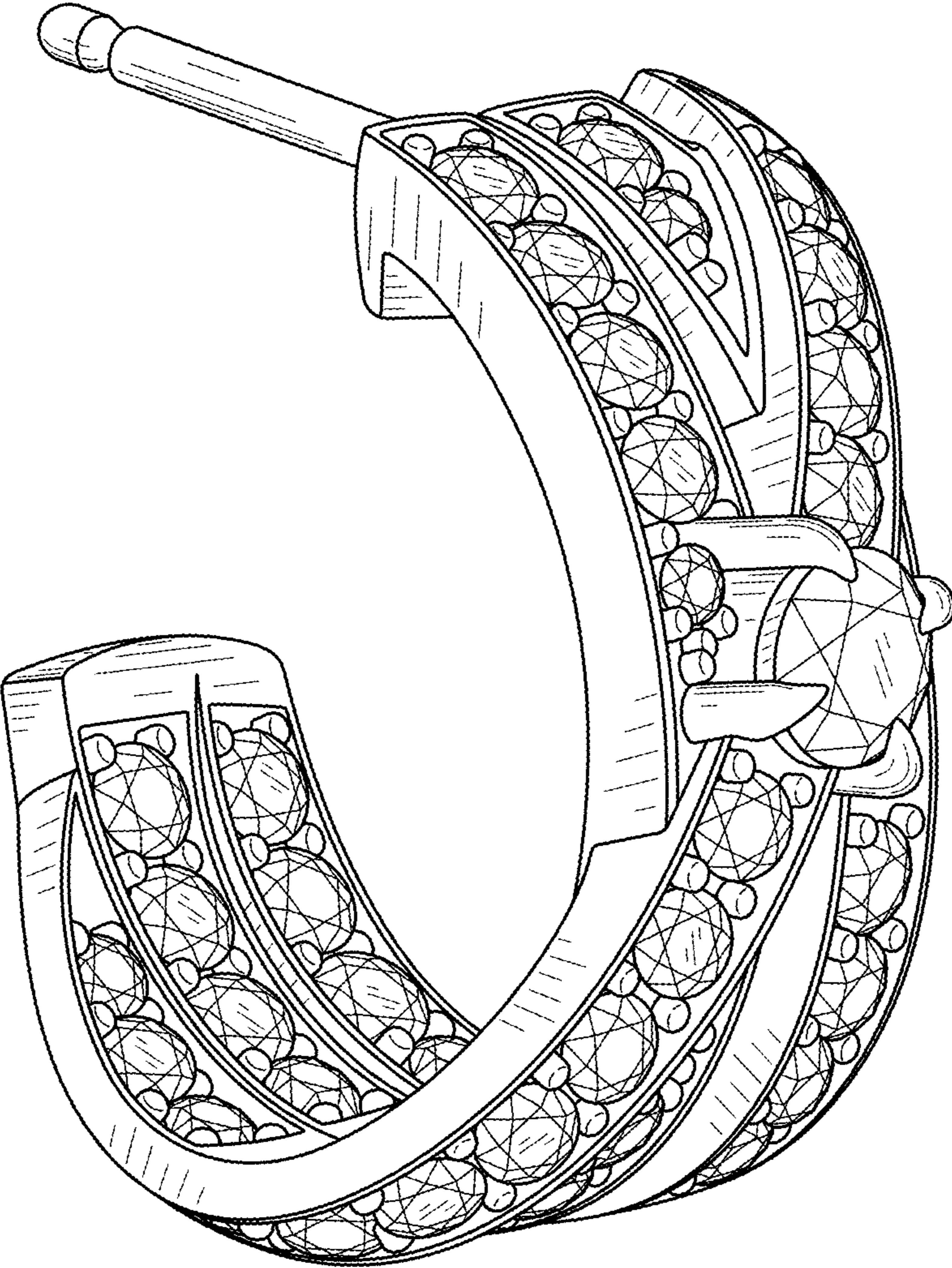


FIG. 1

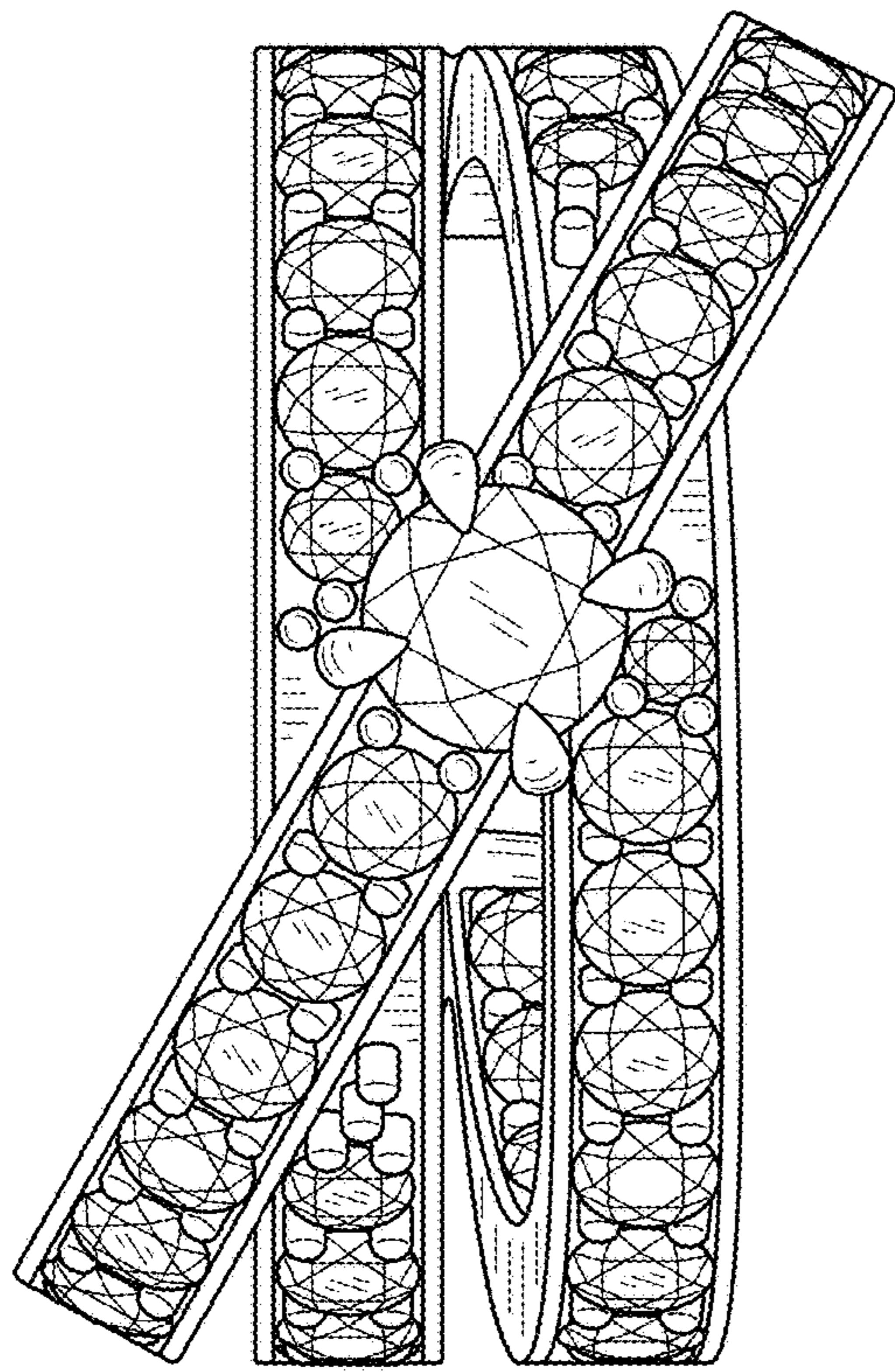


FIG. 2

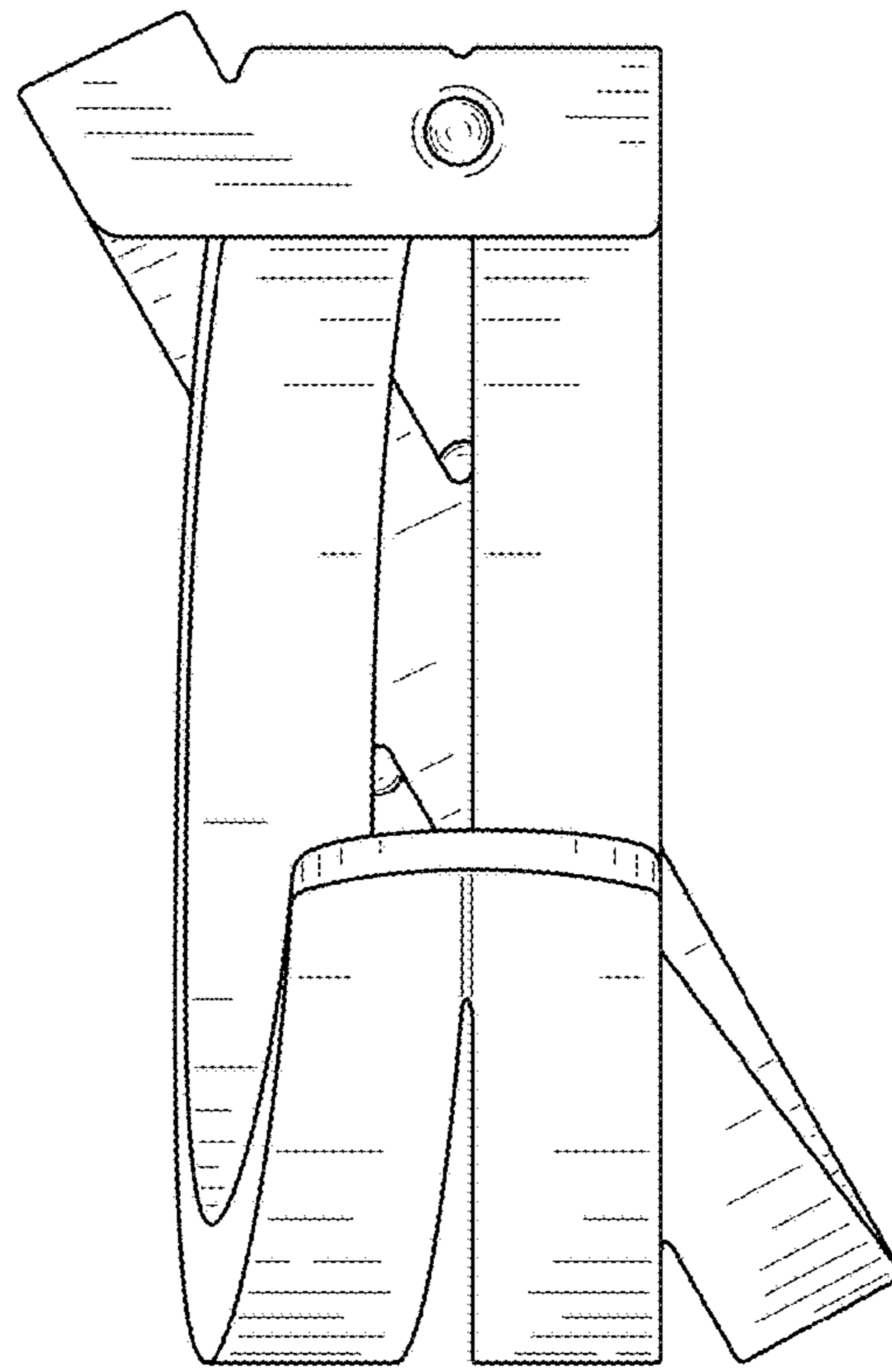


FIG. 3

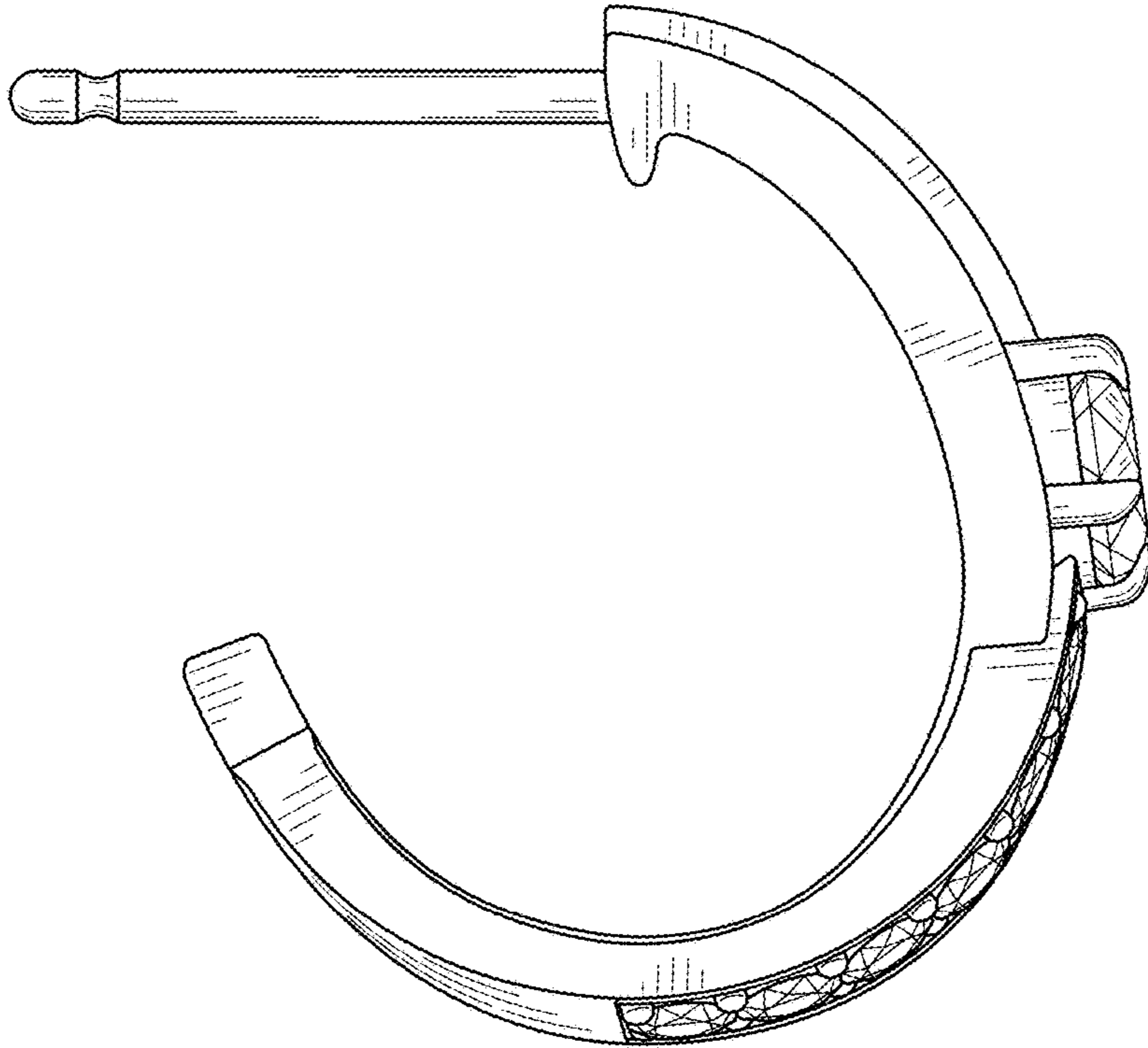


FIG. 4

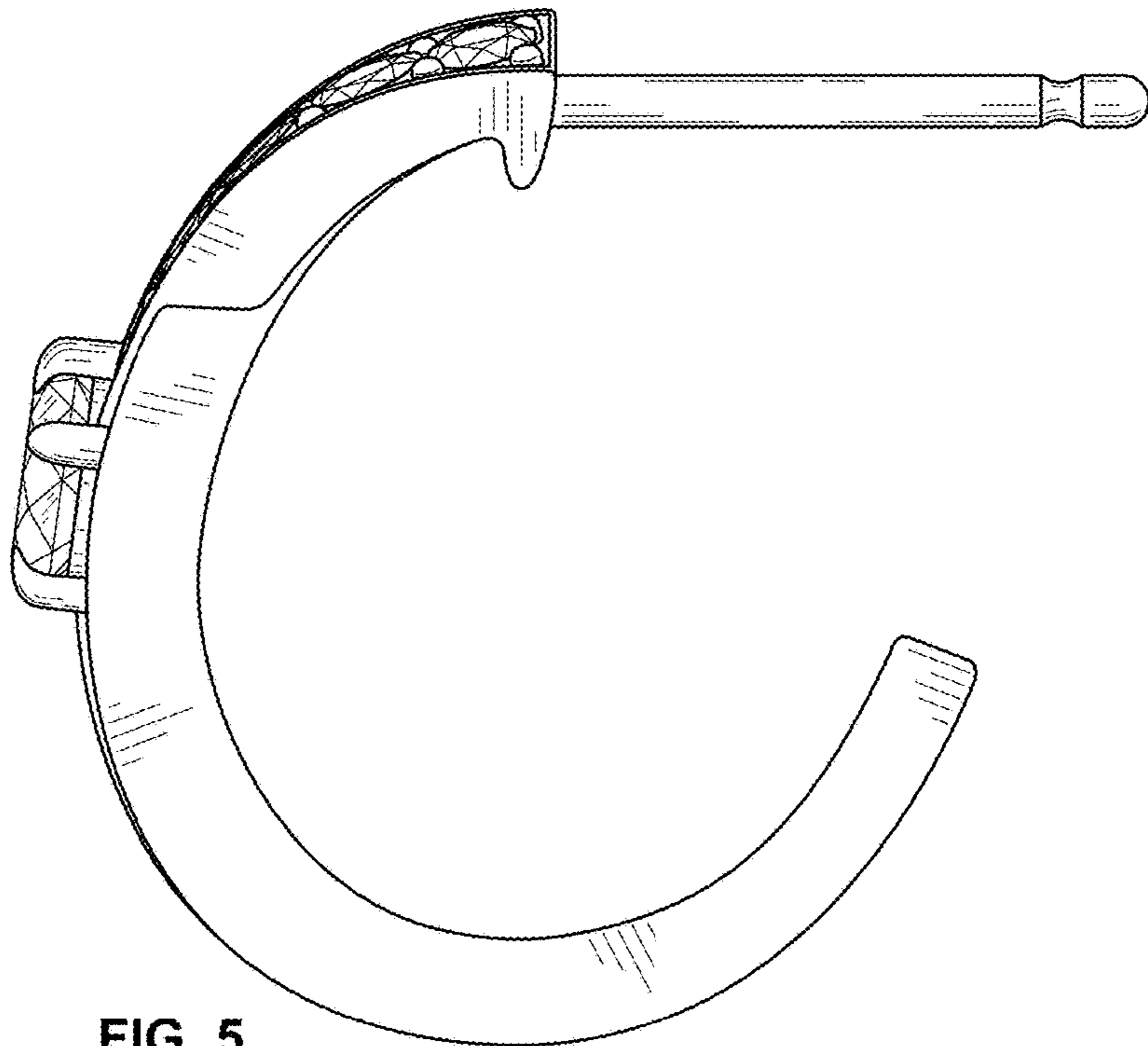


FIG. 5

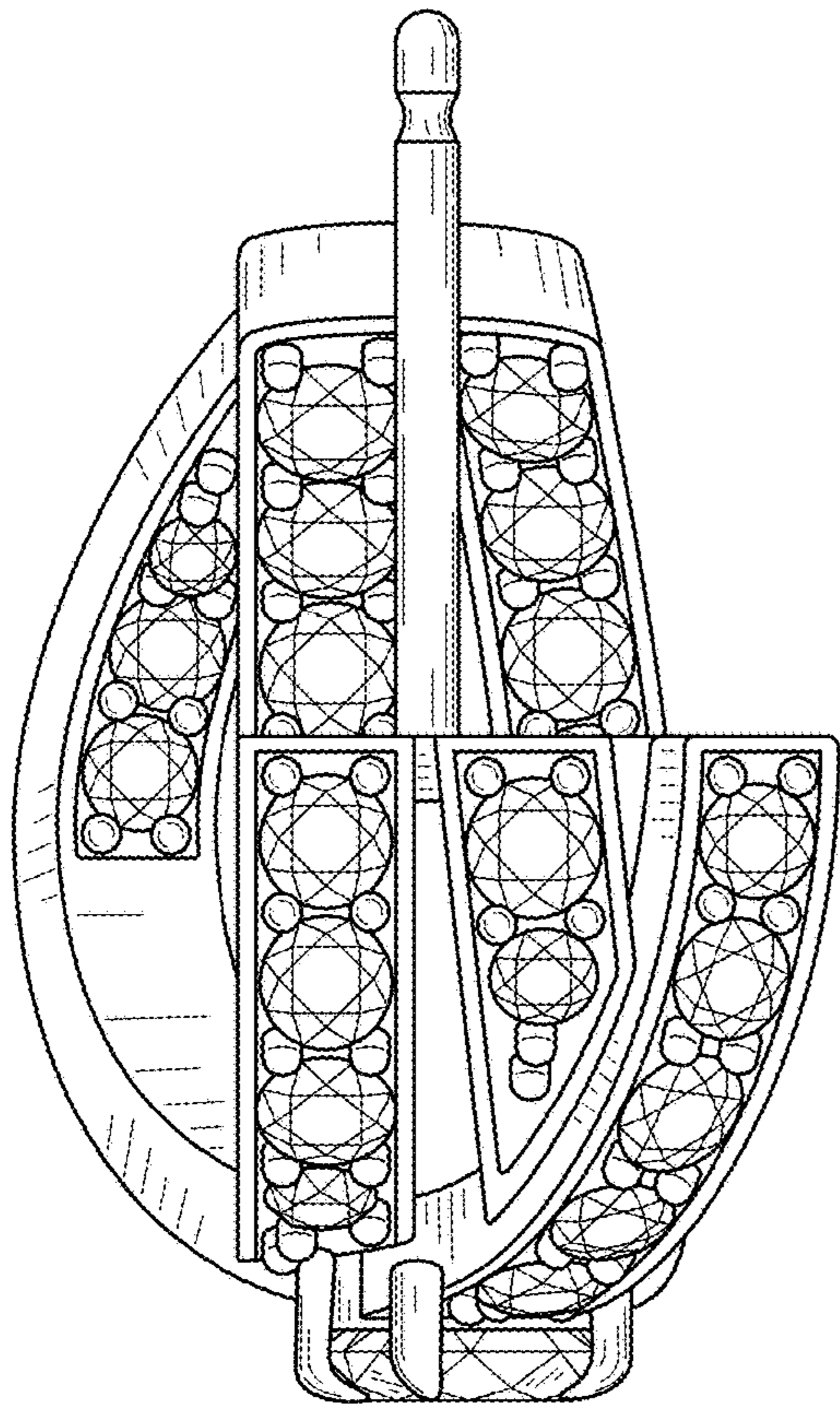


FIG. 6

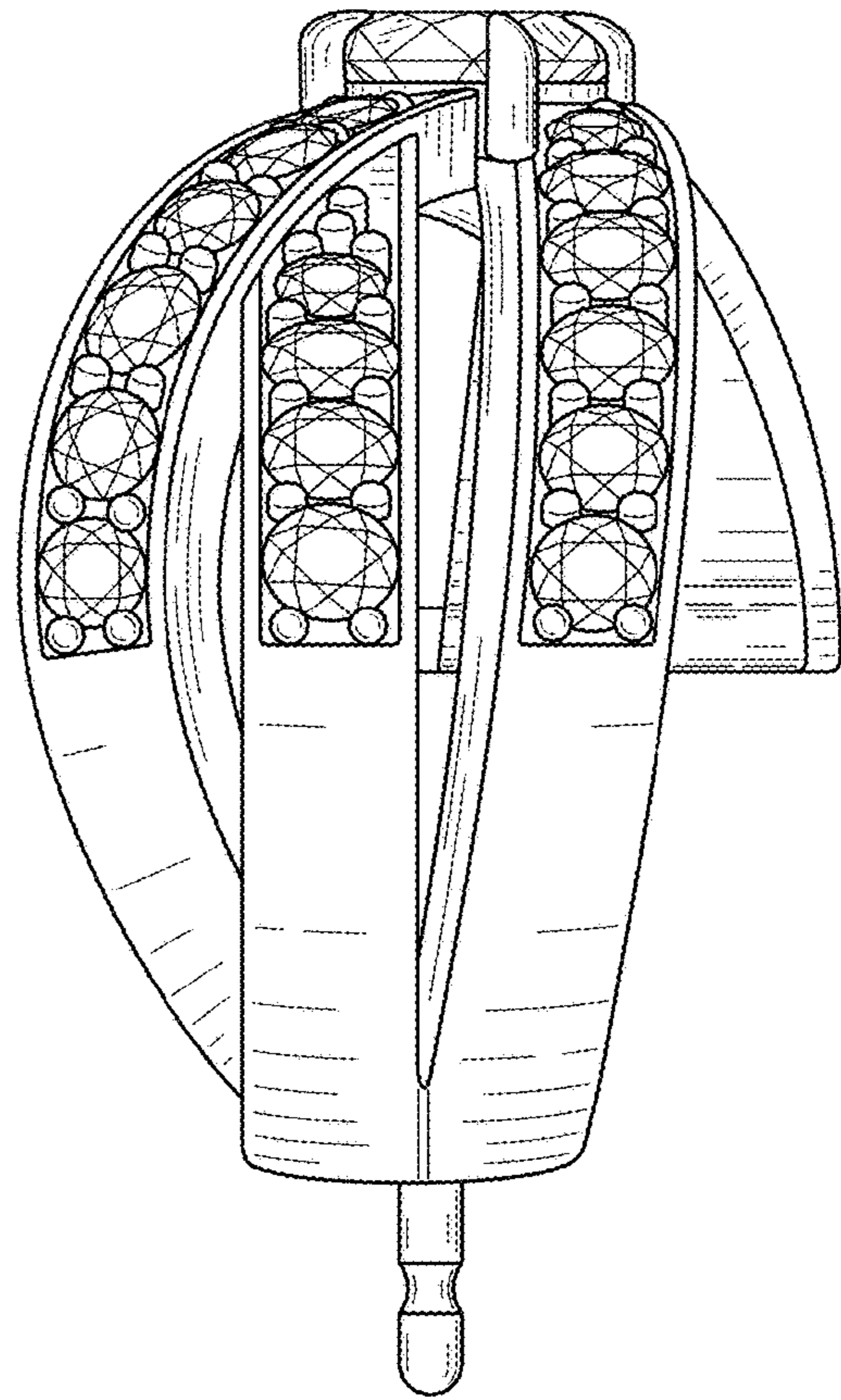


FIG. 7

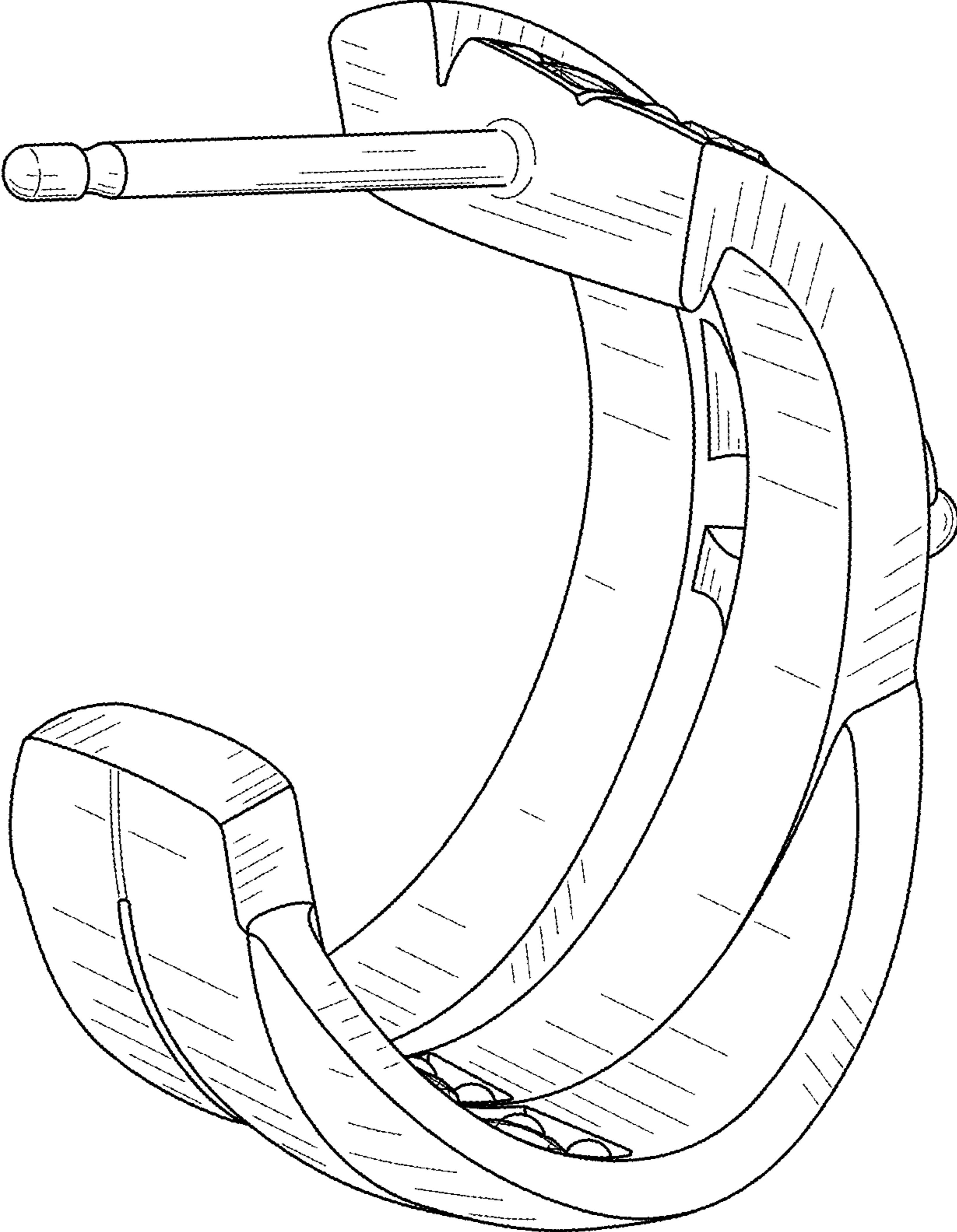


FIG. 8