



US00D780033S

(12) **United States Design Patent** (10) **Patent No.:** **US D780,033 S**  
**Duval** (45) **Date of Patent:** **\*\* Feb. 28, 2017**

(54) **JEWELRY ITEM**

(71) Applicant: **Tiffany and Company**, New York, NY (US)

(72) Inventor: **Jessy Duval**, New York, NY (US)

(73) Assignee: **Tiffany and Company**, New York, NY (US)

(\*\*) Term: **14 Years**

(21) Appl. No.: **29/502,739**

(22) Filed: **Sep. 18, 2014**

(51) **LOC (10) Cl.** ..... **11-01**

(52) **U.S. Cl.**  
USPC ..... **D11/40; D11/4; D11/27**

(58) **Field of Classification Search**  
USPC ... D11/1, 2, 7, 8, 40-45, 47, 48, 61, 66, 69, D11/70, 74, 75, 77, 78, 79-85, 86, 97, D11/98, 99, 116, 87, 88, 93  
CPC .. A44C 1/00; A44C 3/00; A44C 3/001; A44C 3/002; A44C 3/004; A44C 7/00; A44C 7/002; A44C 7/003; A44C 7/004; A44C 17/02; A44C 17/0208; A44C 17/0216; A44C 25/00; A44C 25/001; A44C 25/007; A44C 25/008

See application file for complete search history.

(56) **References Cited**

**U.S. PATENT DOCUMENTS**

D55,650 S *	7/1920	Sanborn	.....	D11/27
D139,740 S *	12/1944	Nolen	.....	D11/12
D197,799 S *	3/1964	Nolen	.....	D11/26
D244,675 S *	6/1977	Mobell	.....	D11/27
D250,180 S *	11/1978	Rigney	.....	D11/20
D261,123 S *	10/1981	Saffran	.....	D11/4
D334,004 S *	3/1993	Mandelbaum	.....	D11/4
D371,314 S *	7/1996	Yurman	.....	D11/3

D372,680 S *	8/1996	Salva	.....	D11/4
D393,604 S *	4/1998	Webber	.....	D11/40
D402,570 S *	12/1998	Wright	.....	D11/30
D439,192 S *	3/2001	Ruscitti	.....	D11/26
D447,436 S *	9/2001	Park	.....	D11/4
D457,086 S *	5/2002	Torres	.....	D11/3
D477,788 S *	7/2003	Ruff	.....	D11/4

(Continued)

**OTHER PUBLICATIONS**

[Online] "T Wire Hoop Earring" [http://media.tiffany.com/is/image/Tiffany/EcomBrowseM/tiffany-t-wire-hoop-earrings-33429983\\_938468\\_ED.jpg?op\\_usm=2.00,1.00,6.00&defaultImage=NoImageAvailable&&](http://media.tiffany.com/is/image/Tiffany/EcomBrowseM/tiffany-t-wire-hoop-earrings-33429983_938468_ED.jpg?op_usm=2.00,1.00,6.00&defaultImage=NoImageAvailable&&). Retrieved Aug. 19, 2016.\*

*Primary Examiner* — Melanie Pellegrini

(74) *Attorney, Agent, or Firm* — Fross Zelnick Lehrman & Zissu, P.C.; Charles T. J. Weigell, Esq.

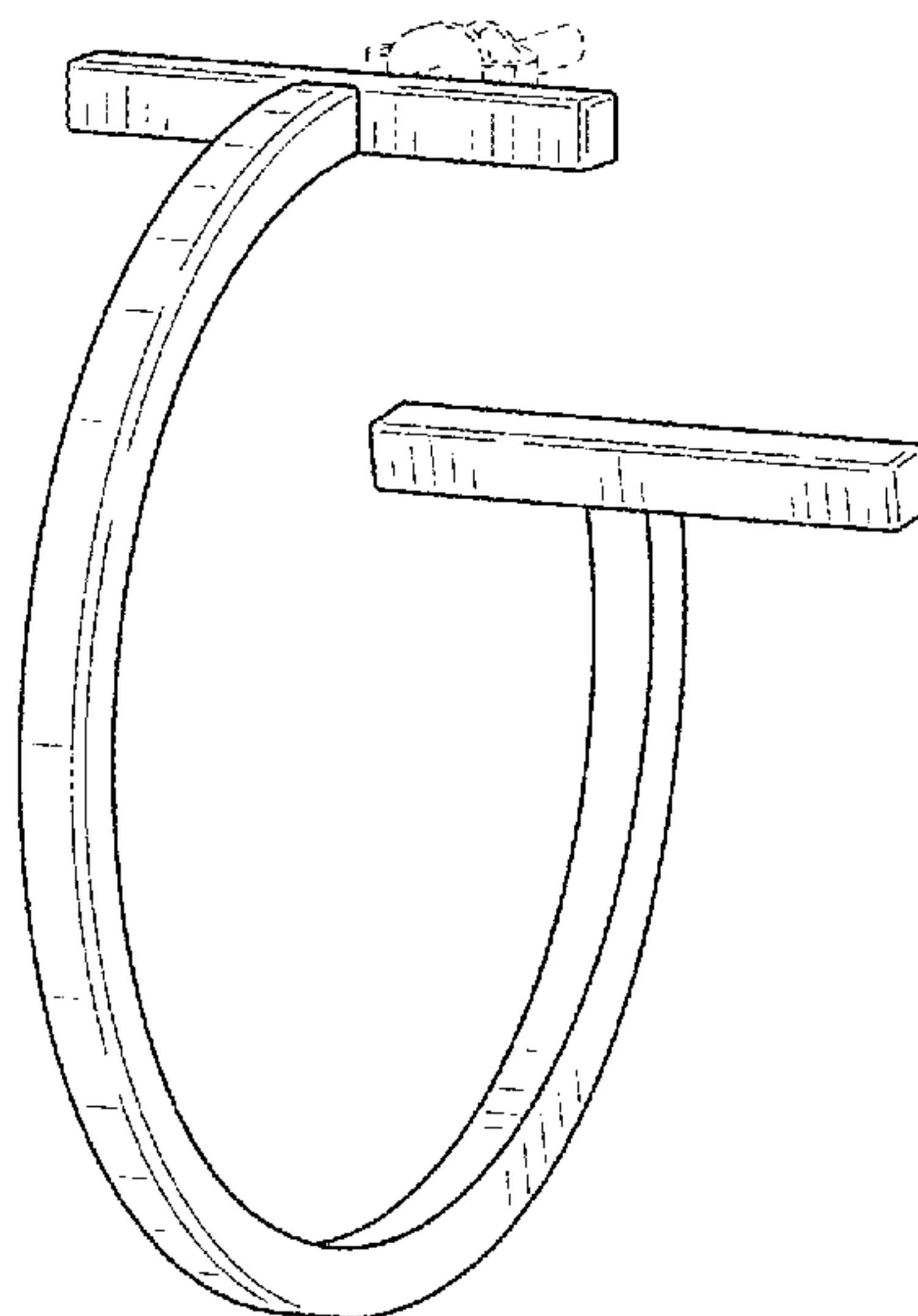
(57) **CLAIM**

The ornamental design for a jewelry item, as shown and described.

**DESCRIPTION**

FIG. 1 is a front perspective view of a jewelry item showing my new design;  
FIG. 2 is a top view of the jewelry item shown in FIG. 1;  
FIG. 3 is a bottom view of the jewelry item shown in FIG. 1;  
FIG. 4 is a front view of the jewelry item shown in FIG. 1;  
FIG. 5 is a rear view of the jewelry item shown in FIG. 1;  
FIG. 6 is a left side view of the jewelry item shown in FIG. 1; and,  
FIG. 7 is a right side view of the jewelry item shown in FIG. 1.  
The broken lines depicting an earring post and fastener represent portions of the jewelry item which form no part of the claimed design.

**1 Claim, 4 Drawing Sheets**



(56)

**References Cited**

U.S. PATENT DOCUMENTS

D494,882	S	*	8/2004	Hara	.....	D11/26
D500,698	S	*	1/2005	Sanjuro De Vedoya	.....	D11/4
D565,450	S	*	4/2008	Lebail	.....	D11/27
D575,658	S	*	8/2008	Lee	.....	D11/4
D593,431	S	*	6/2009	Komenaka	.....	D11/26
D624,192	S	*	9/2010	Zeidel	.....	D11/3
D634,665	S	*	3/2011	Lagnese	.....	D11/60
D635,880	S	*	4/2011	Gaspard	.....	D11/27
D691,506	S	*	10/2013	Hardy	.....	D11/27
D713,282	S	*	9/2014	Finnegan	.....	D11/3
D713,294	S	*	9/2014	Mouquet	.....	D11/231
D718,172	S	*	11/2014	Makover	.....	D11/26
D757,278	S	*	5/2016	Haines	.....	D24/191
D757,491	S	*	5/2016	Ertur	.....	D7/397
2008/0168799	A1	*	7/2008	Fogel	.....	A44C 9/00 63/15

\* cited by examiner

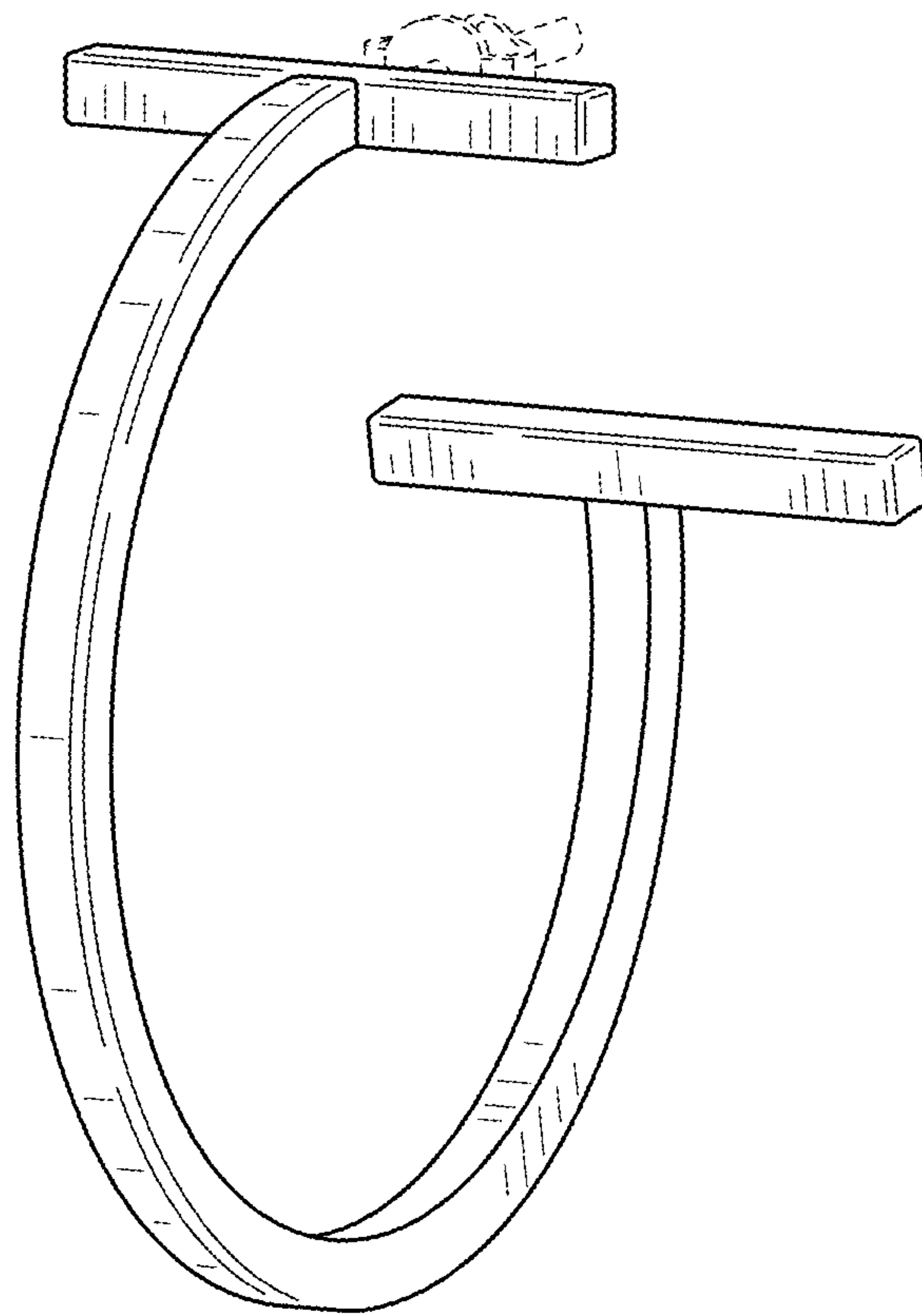


FIG. 1

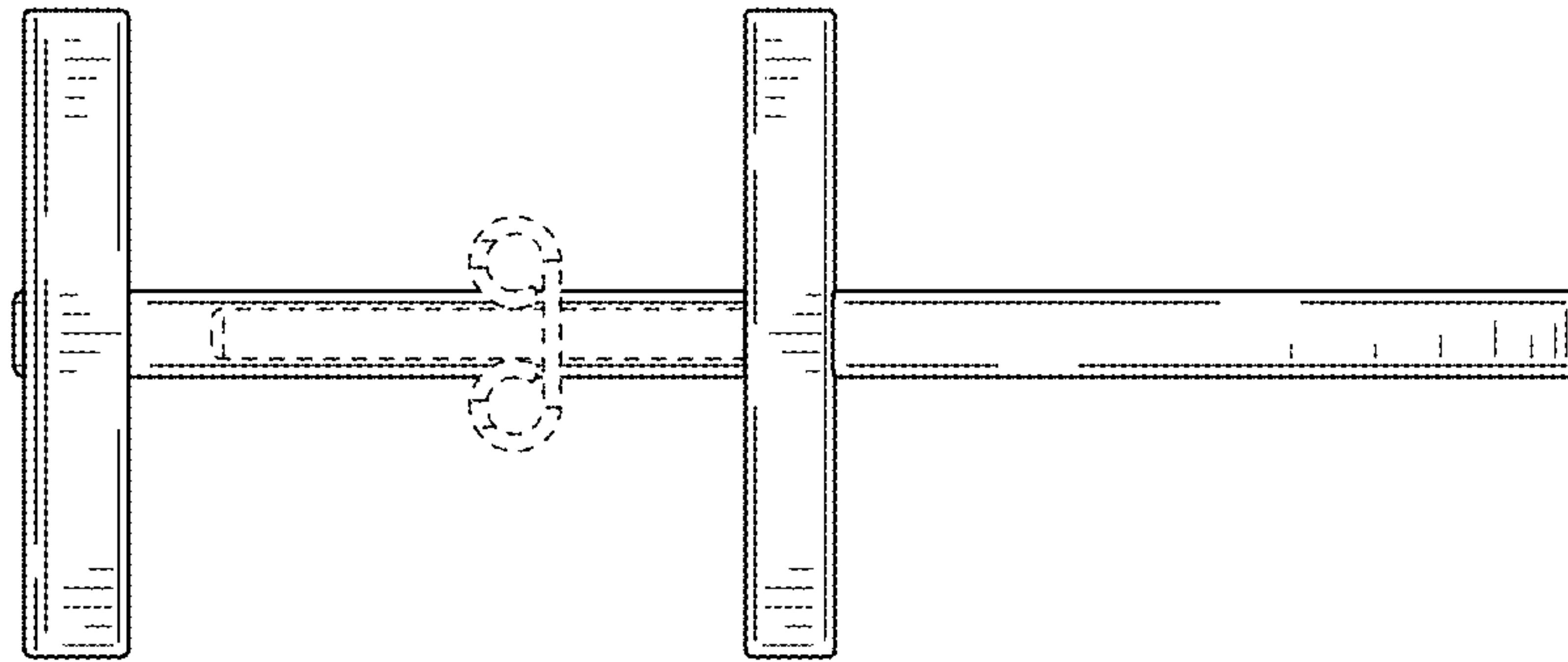


FIG. 2

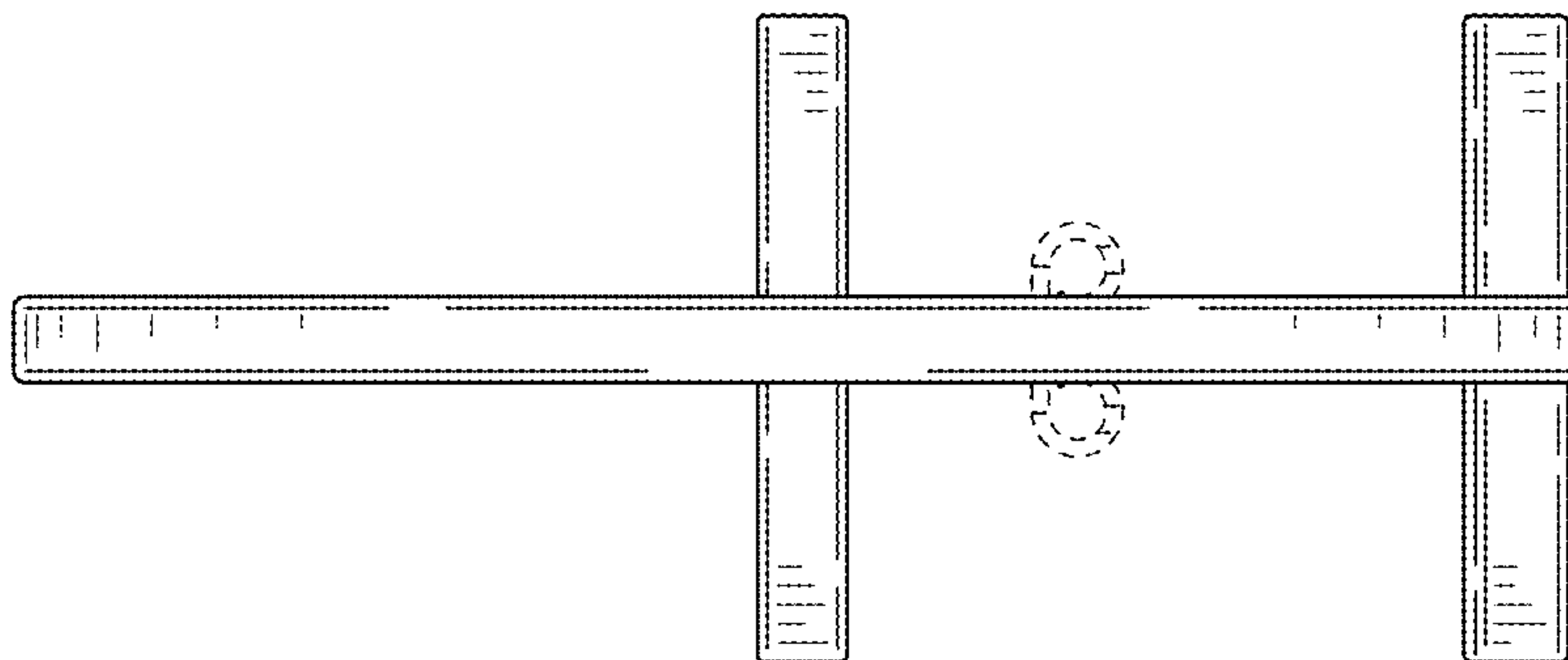


FIG. 3

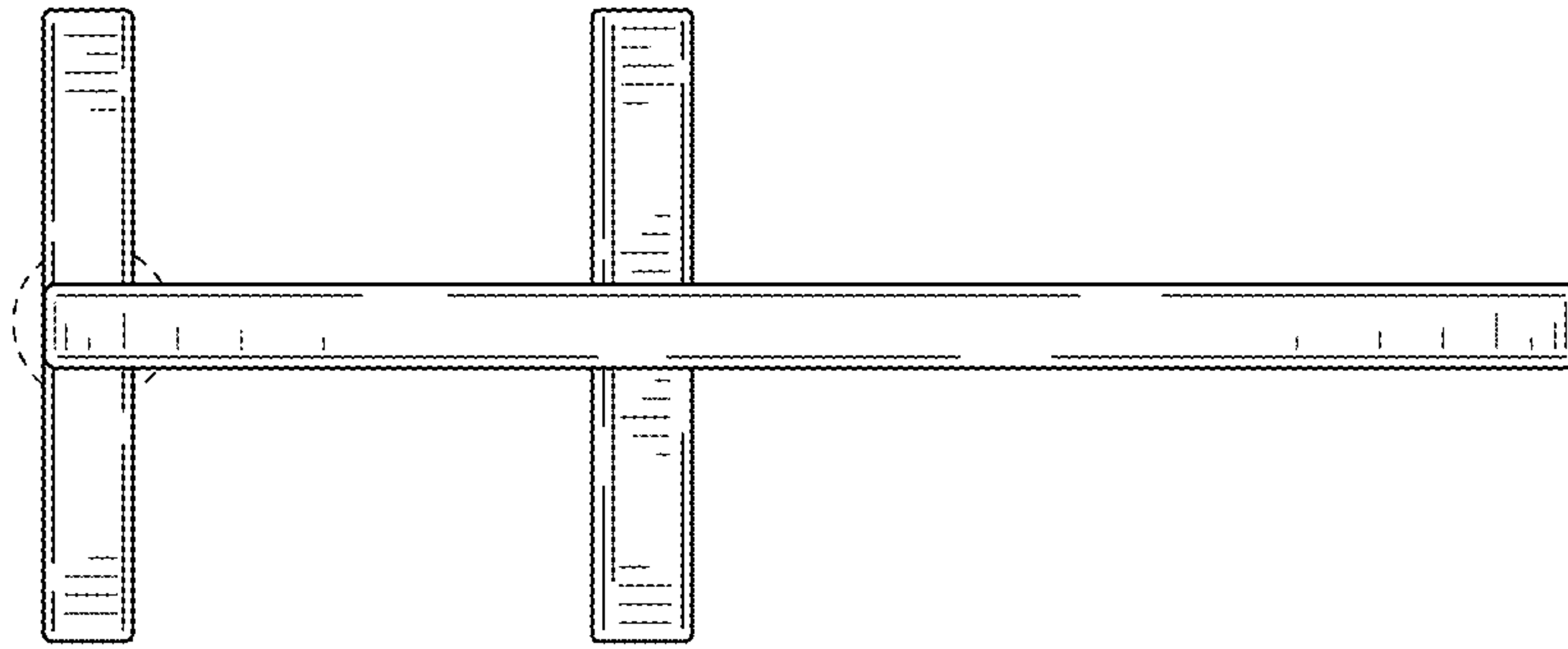


FIG. 4

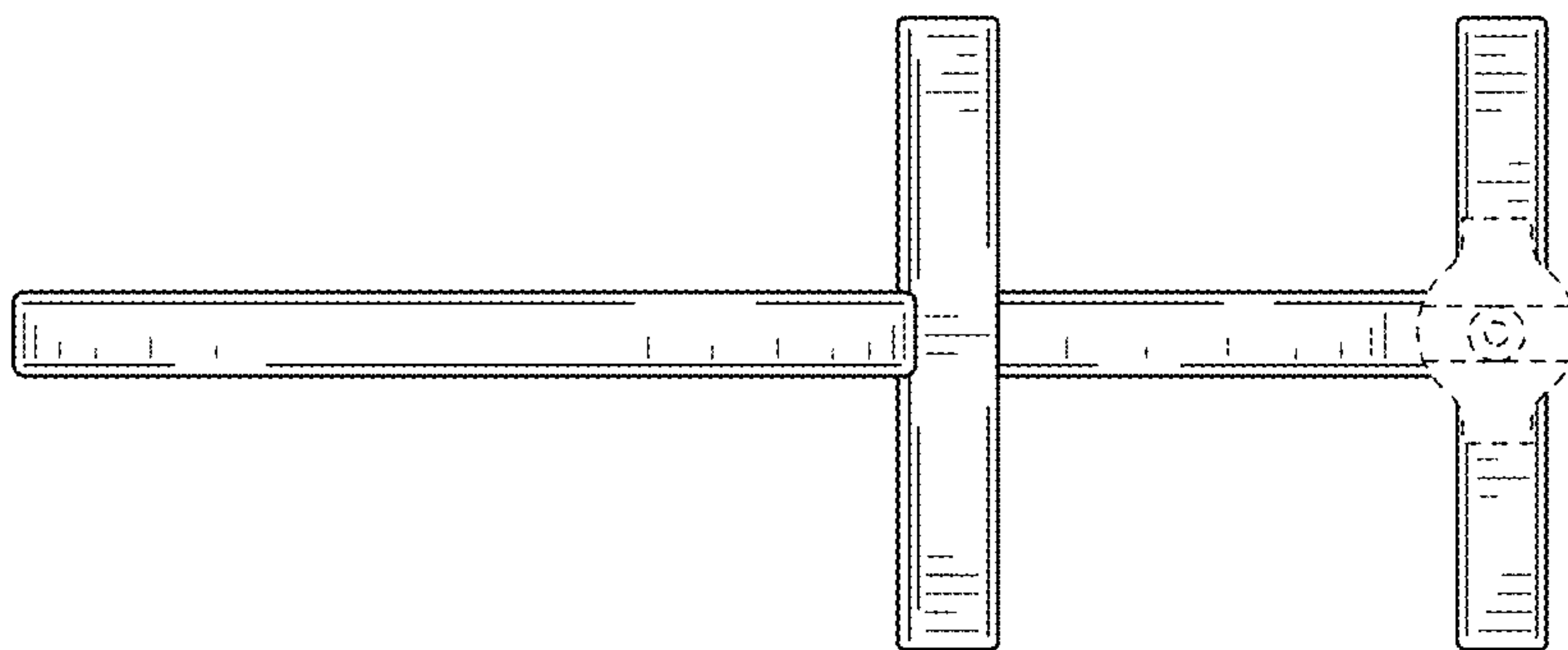


FIG. 5

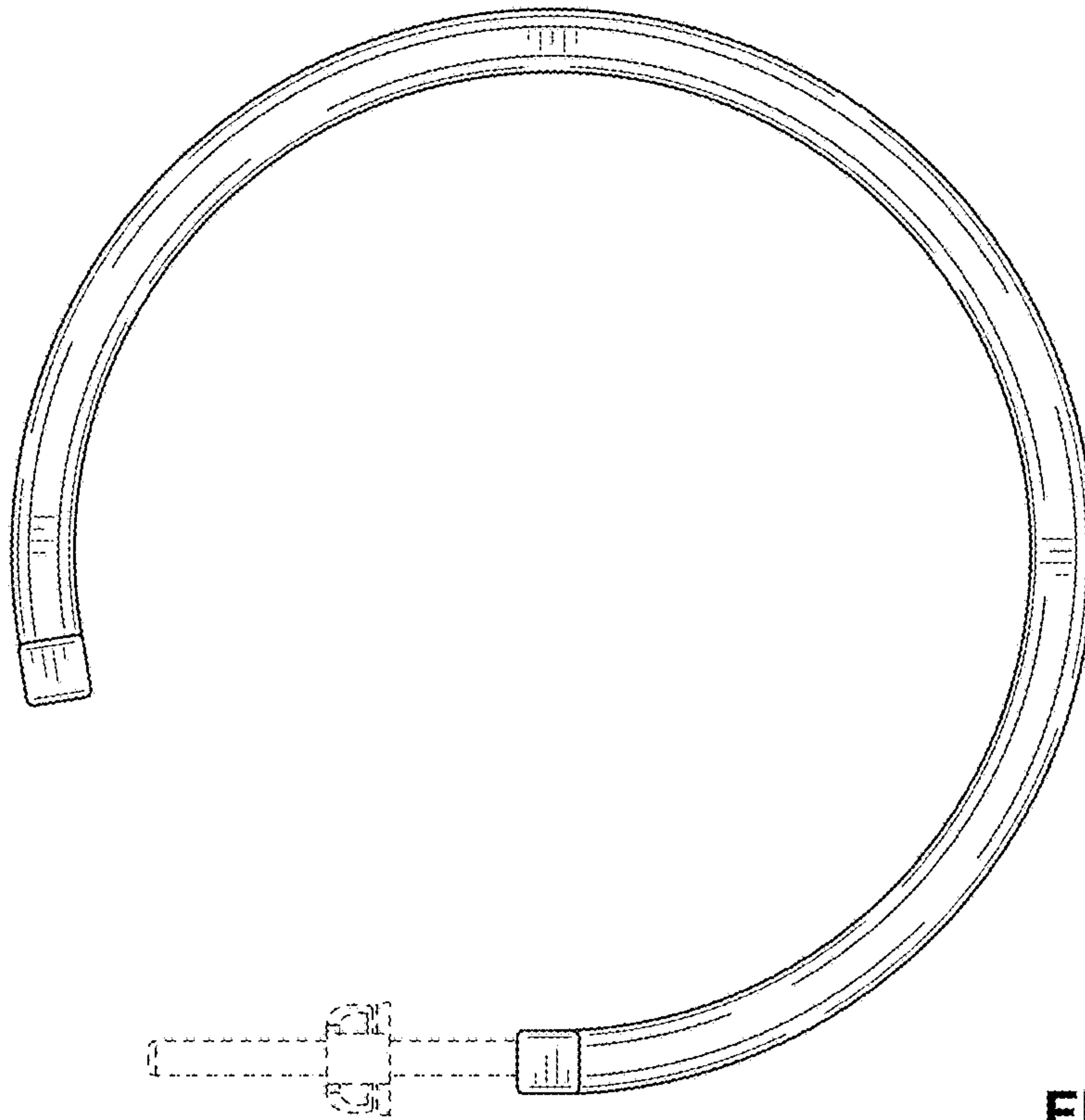


FIG. 6

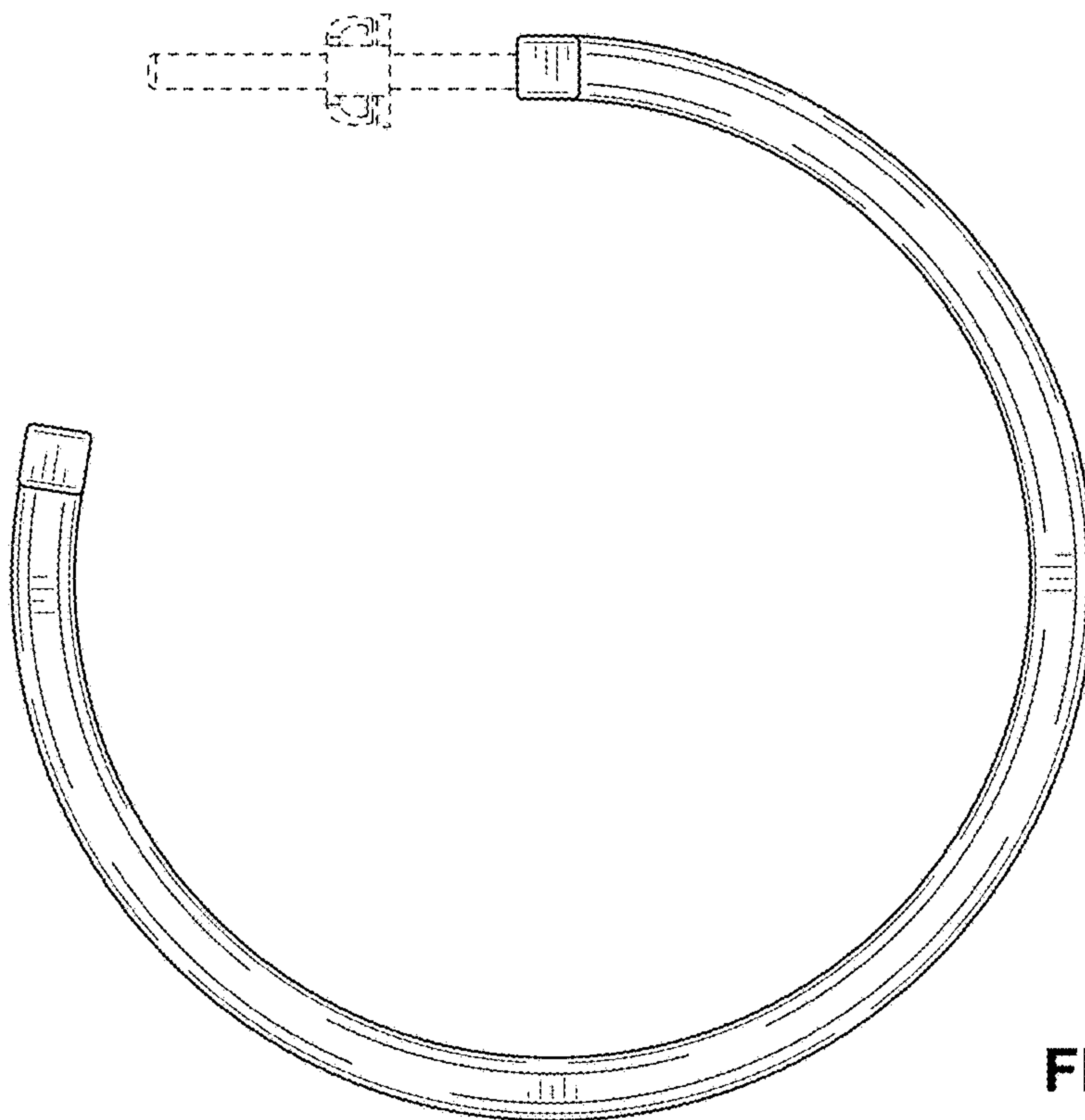


FIG. 7