



US00D780027S

(12) **United States Design Patent**
Stern

(10) **Patent No.:** **US D780,027 S**

(45) **Date of Patent:** **** Feb. 28, 2017**

(54) **RING**

(71) Applicant: **H. STERN COMÉRCIO E**
INDÚSTRIA S.A., Rio de Janeiro (BR)

(72) Inventor: **Roberto Stern**, Rio de Janeiro (BR)

(73) Assignee: **H. STERN COMÉRCIO E**
INDÚSTRIA S.A., Rio de Janeiro (BR)

(**) Term: **15 Years**

(21) Appl. No.: **29/548,294**

(22) Filed: **Dec. 11, 2015**

(51) **LOC (10) Cl.** **11-01**

(52) **U.S. Cl.**
USPC **D11/34**

(58) **Field of Classification Search**
USPC D11/1, 2, 26-39, 40-42, 91, 92, 70, 81,
D11/95, 96, 108; 63/26-28
CPC A44C 9/00; A44C 9/0007; A44C 9/0015;
A44C 9/0023; A44C 9/003; A44C
9/0038; A44C 9/0046; A44C 9/0053;
A44C 9/0061; A44C 9/0069; A44C
9/0076; A44C 17/02; A44C 17/0208;
A44C 17/0216; A44C 17/0225; A44C
17/0233; A44C 17/0241; A44C 17/025;
A44C 17/0258; A44C 17/0266; A44C
17/0275; A44C 17/0283; A44C 17/0291
See application file for complete search history.

(56) **References Cited**

U.S. PATENT DOCUMENTS

D139,257 S * 10/1944 Philippe D11/70
D142,603 S * 10/1945 Weed D11/26
D159,846 S * 8/1950 Philippe D11/70
D160,361 S * 10/1950 Boucher D11/70
D170,241 S * 8/1953 Robbins D11/2

D177,107 S * 3/1956 Katz D11/70
D178,498 S * 8/1956 Colmar D11/34
D248,286 S * 6/1978 Barr D11/33
D294,011 S * 2/1988 Hanson D10/17
D343,139 S * 1/1994 Cooper D11/108
D397,621 S * 9/1998 Wright D10/31
D490,337 S * 5/2004 Reed D11/30
D502,423 S * 3/2005 Reed D11/30
D550,586 S * 9/2007 Tsai D11/117
D597,437 S * 8/2009 Hawk D11/26
D743,831 S * 11/2015 Yatsugi-Kang D11/34
D747,664 S * 1/2016 Yatsugi-Kang D11/34

OTHER PUBLICATIONS

[Online] <http://imagens.hstern.com.br/product/t1/A1B204174.jpg>.
Retrieved Sep. 28, 2016.*

[Online] http://g.nordstromimage.com/ImageGallery/store/product/Zoom/9/_8762729.jpg. Retrieved Sep. 28, 2016.*

* cited by examiner

Primary Examiner — Melanie Pellegrini

(74) *Attorney, Agent, or Firm* — Hodgson Russ LLP

(57) **CLAIM**

The ornamental design for a ring, as shown and described.

DESCRIPTION

FIG. 1 is a perspective view of a ring showing my new design;

FIG. 2 is a front view thereof;

FIG. 3 is a rear view thereof;

FIG. 4 is a right side view thereof;

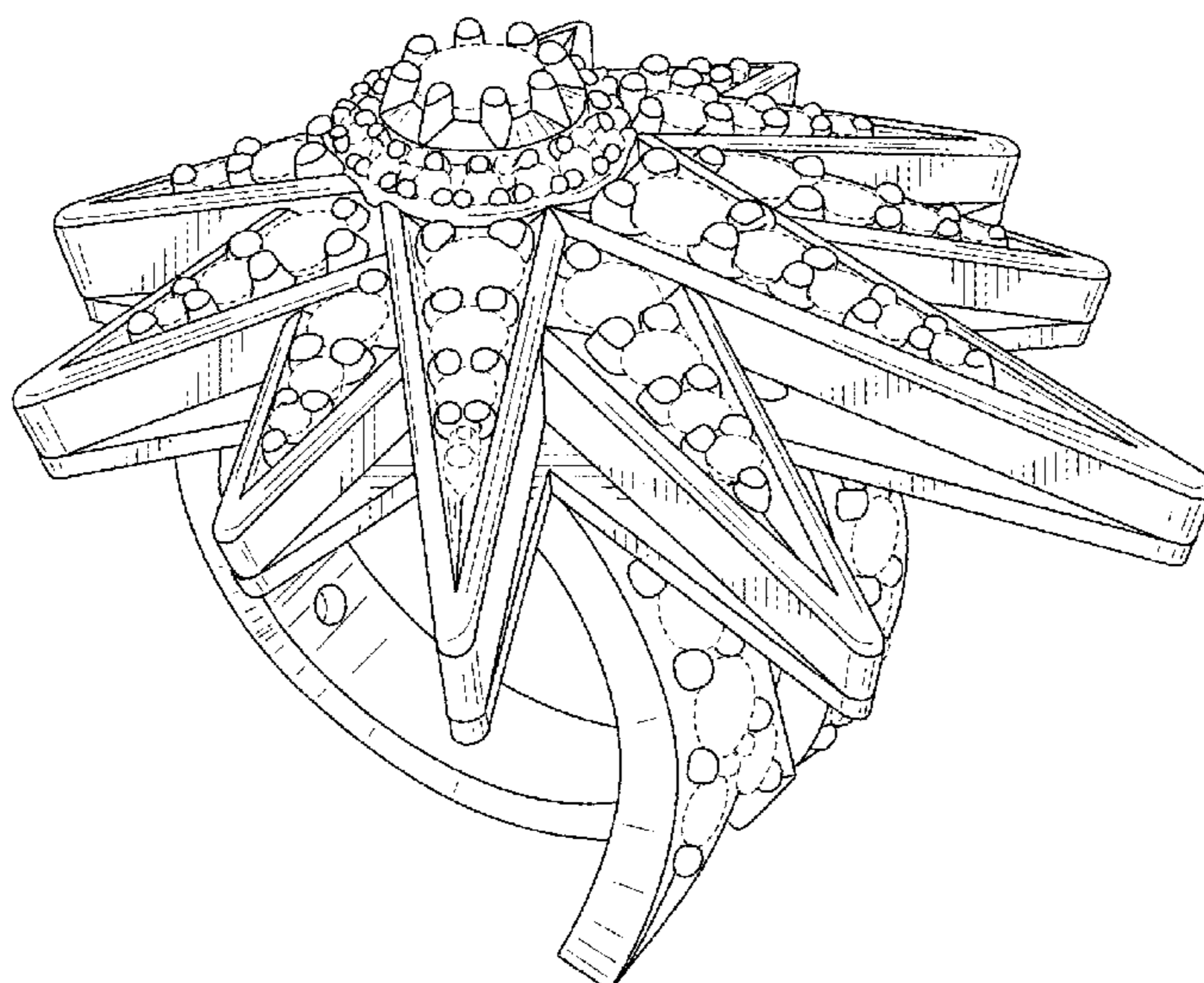
FIG. 5 is a left side view thereof;

FIG. 6 is a top view thereof; and,

FIG. 7 is a bottom view thereof.

The broken lines illustrate exemplary gemstones that form no part of the claimed design.

1 Claim, 7 Drawing Sheets



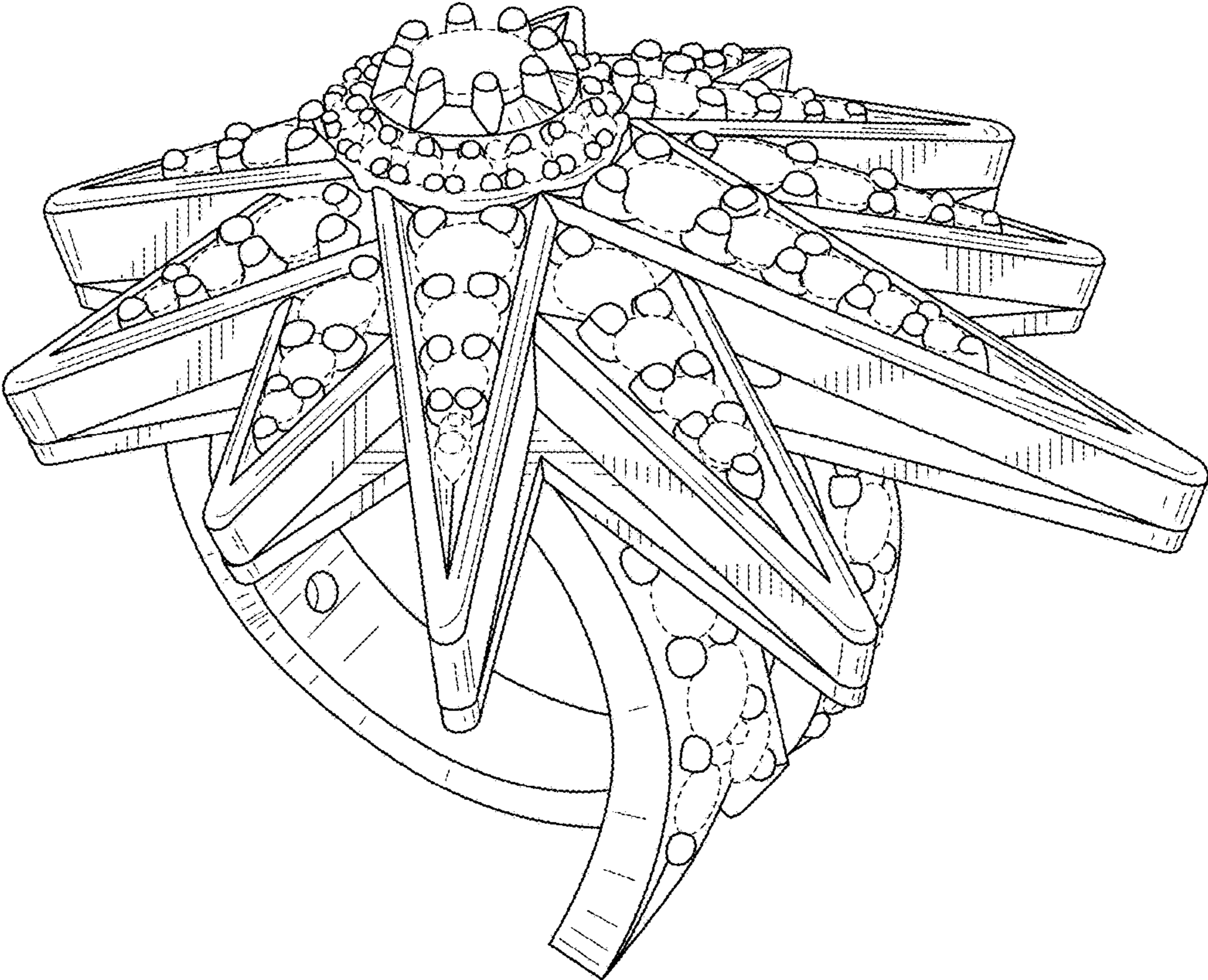


FIG. 1

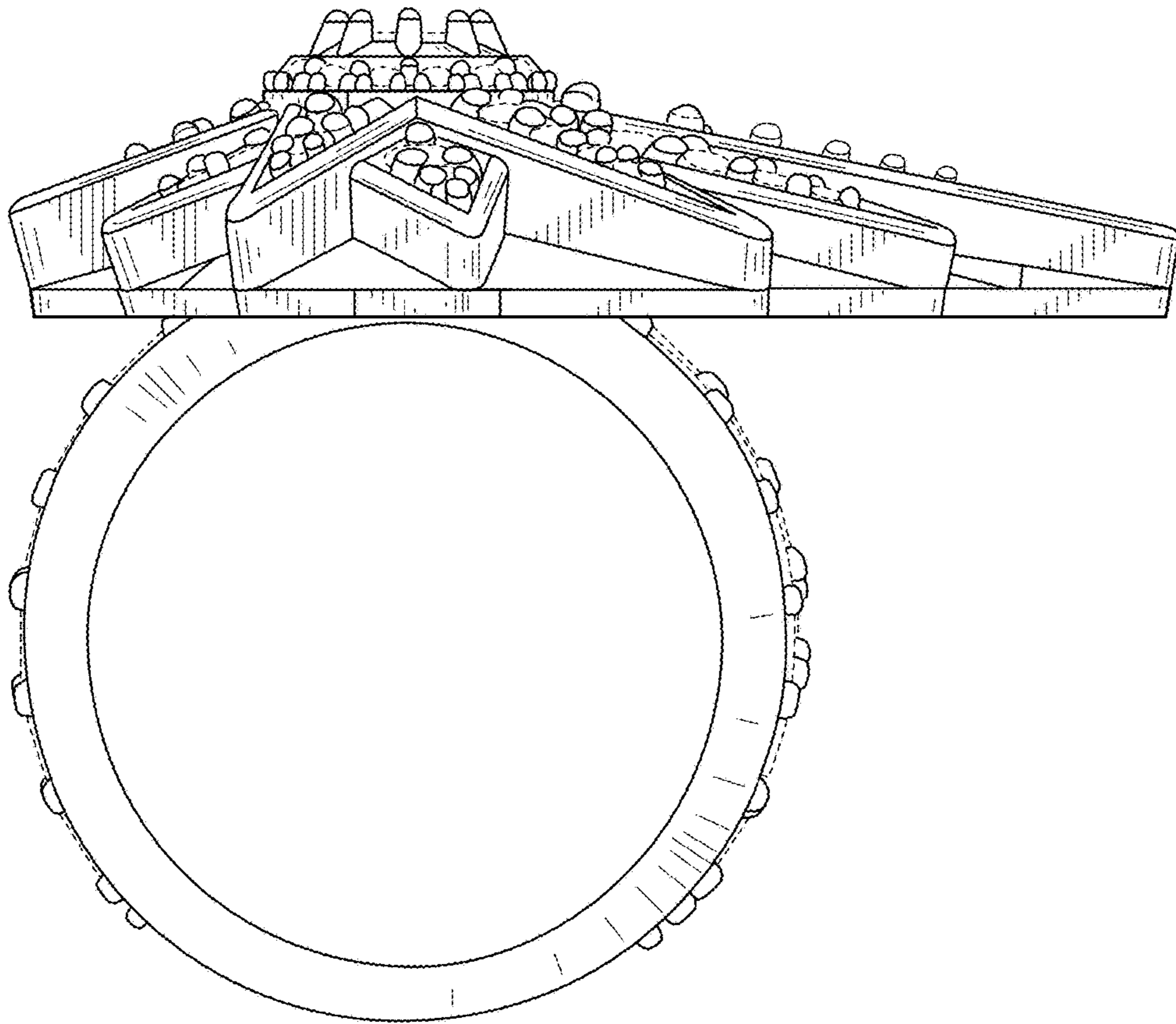


FIG. 2

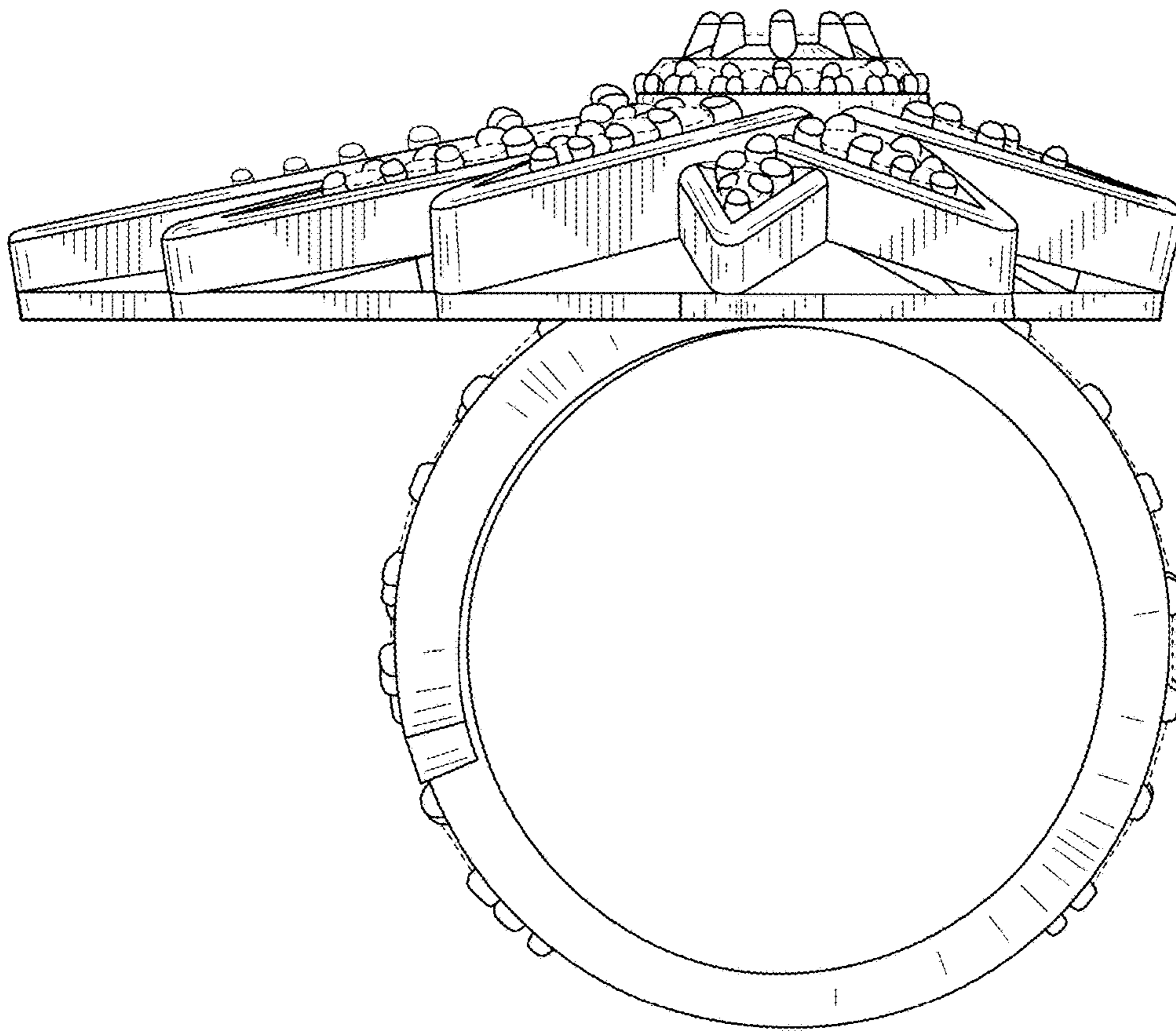


FIG. 3

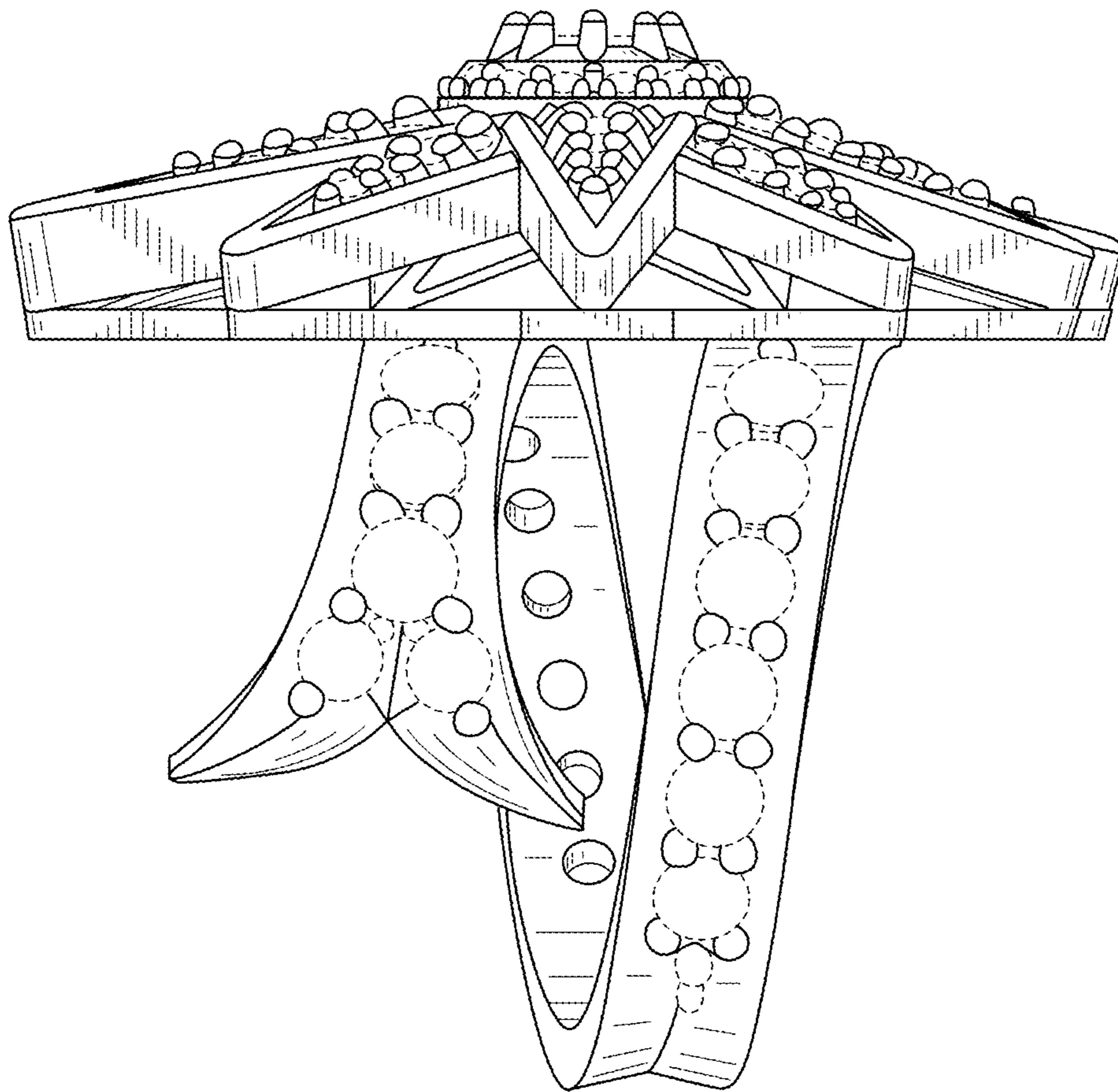


FIG. 4

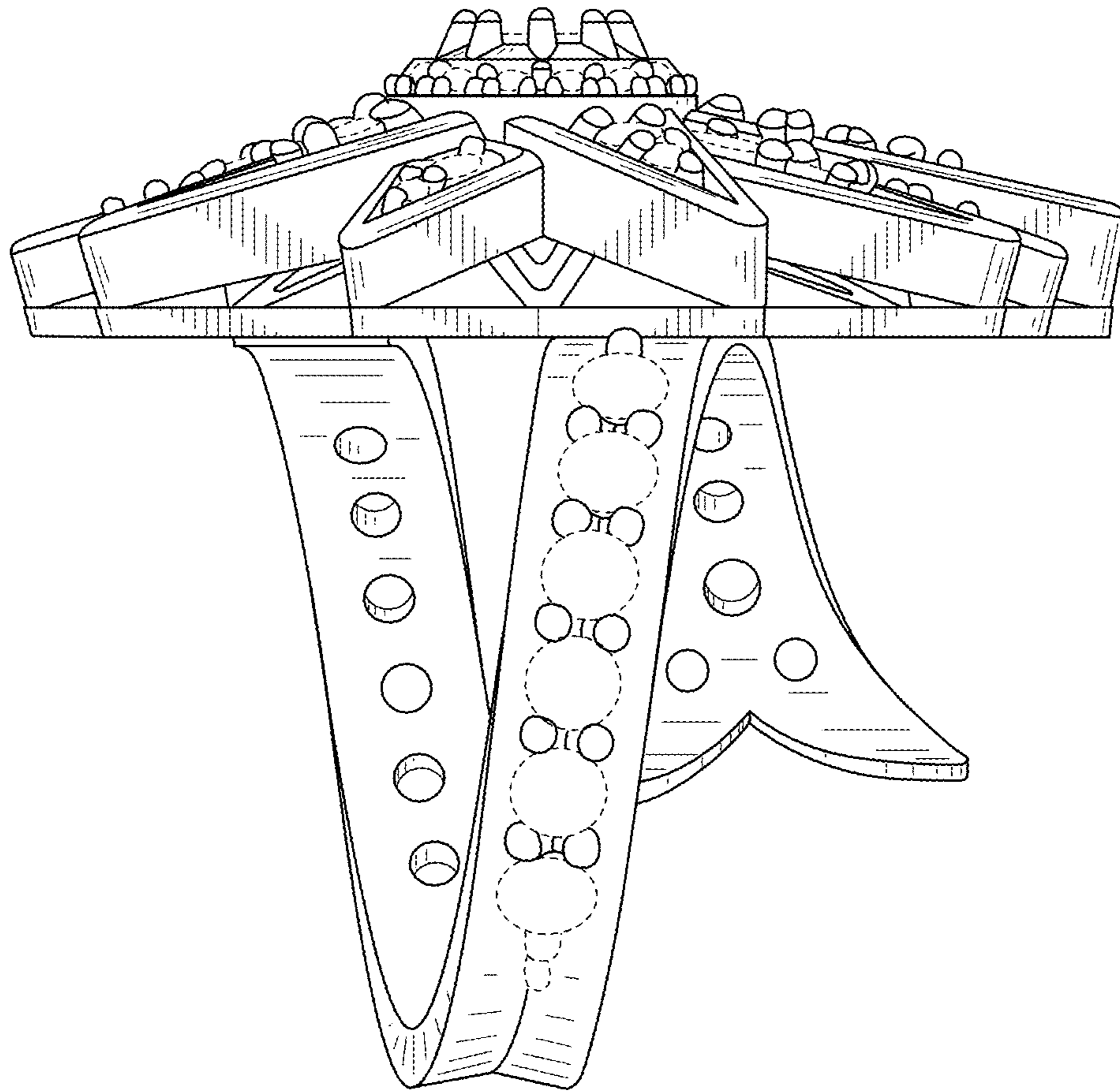


FIG. 5

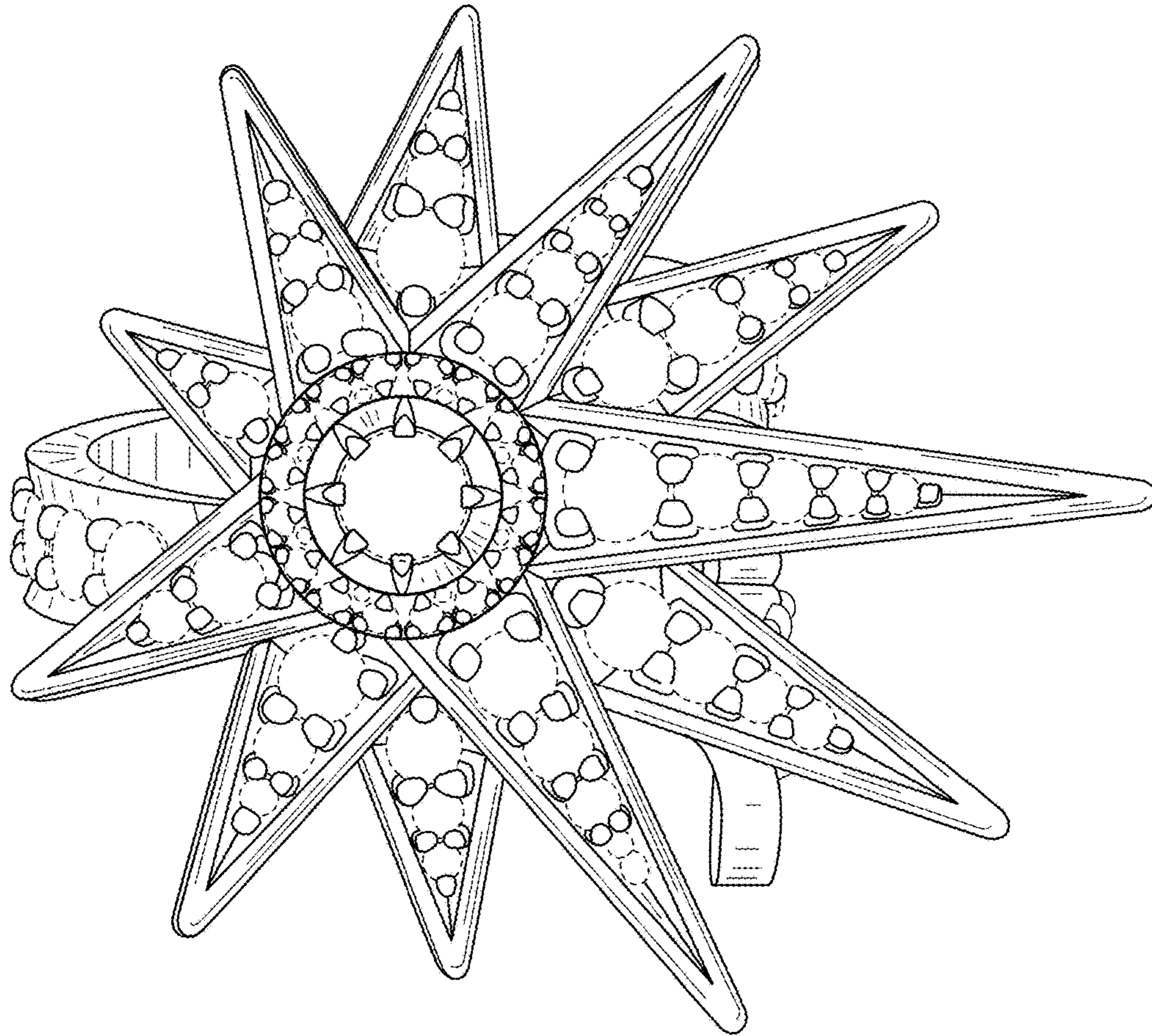


FIG. 6

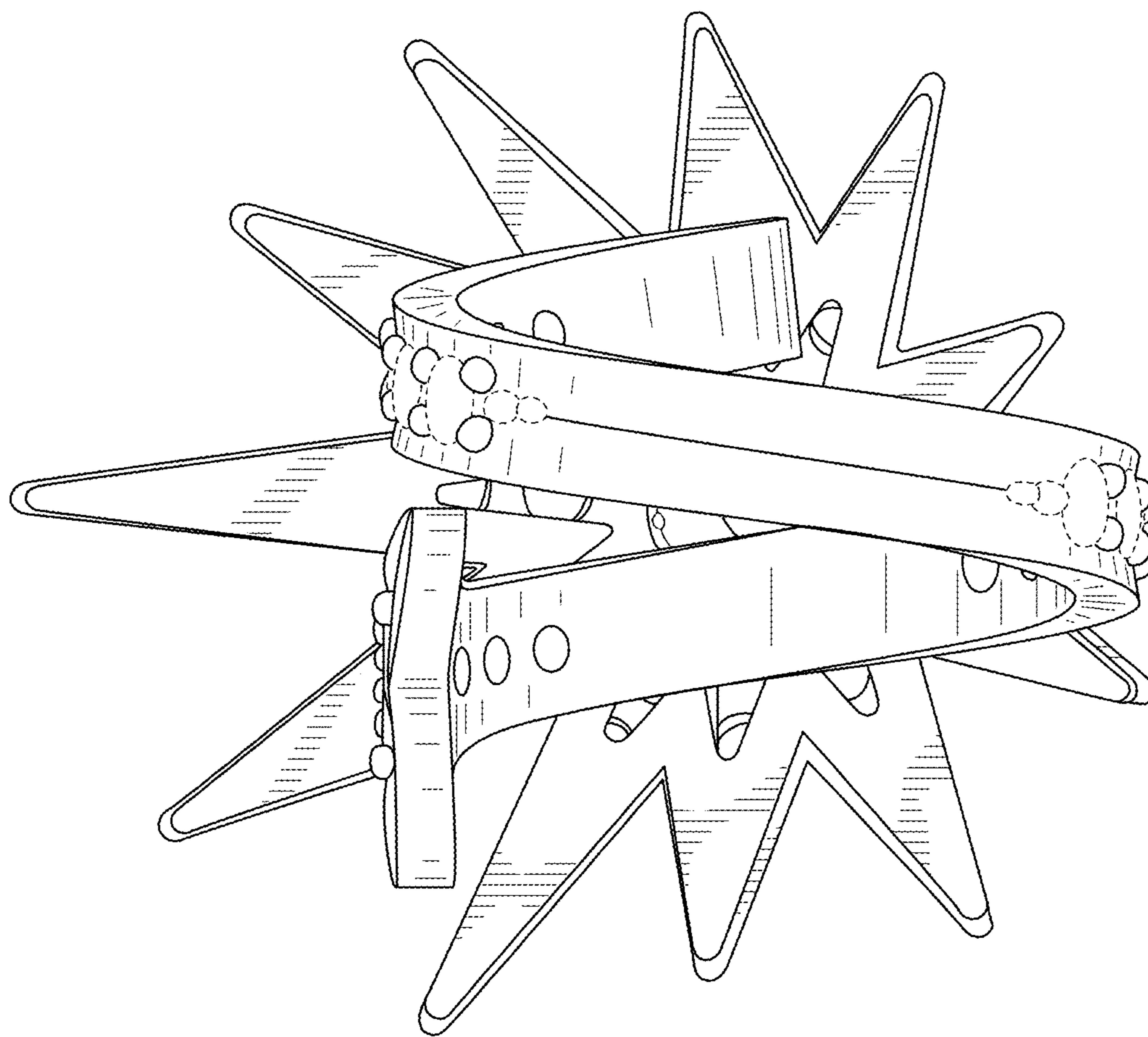


FIG. 7