



US00D780024S

(12) **United States Design Patent**  
**Yatsugi-Kang**

(10) **Patent No.:** **US D780,024 S**

(45) **Date of Patent:** **\*\* Feb. 28, 2017**

(54) **RING**

(71) Applicant: **HARRY WINSTON SA,**  
Plan-les-Ouates (CH)

(72) Inventor: **Rie Yatsugi-Kang,** Cresskill, NJ (US)

(73) Assignee: **HARRY WINSTON SA,**  
Plan-les-Ouates (CH)

(\*\*) Term: **15 Years**

(21) Appl. No.: **29/538,273**

(22) Filed: **Sep. 2, 2015**

(30) **Foreign Application Priority Data**

Mar. 3, 2015 (WO) ..... DM/085759

(51) **LOC (10) Cl.** ..... **11-01**

(52) **U.S. Cl.**  
USPC ..... **D11/34**

(58) **Field of Classification Search**

USPC D11/1, 2, 3, 4, 5, 26-39, 91, 92, 66, 67, 68  
CPC ..... A44C 5/00; A44C 5/0007; A44C 5/0015;  
A44C 5/003; A44C 5/053; A44C 9/00;  
A44C 9/0007; A44C 9/001; A44C  
9/0023; A44C 9/003; A44C 9/0038; A44C  
9/0046; A44C 9/0053; A44C 9/0061;  
A44C 9/0069; A44C 9/0076; A44C  
9/0092; A44C 17/0258; A44C 17/0266;  
A44C 17/0275; A44C 17/0283; A44C  
17/02; A44C 17/0208; A44C 17/0216;  
A44C 17/0225; A44C 17/0233; A44C  
17/0241; A44C 17/025; A44C 17/0291

See application file for complete search history.

(56) **References Cited**

**U.S. PATENT DOCUMENTS**

D76,691 S \* 10/1928 Lee ..... D11/35  
D110,293 S \* 6/1938 Philippe ..... D11/67

D154,389 S \* 7/1949 Katz ..... D11/67  
D162,748 S \* 4/1951 Philippe ..... D11/4  
D166,318 S \* 4/1952 Katz ..... D11/10  
D167,041 S \* 6/1952 Katz ..... D11/66  
D176,266 S \* 12/1955 Katz ..... D11/34  
D176,674 S \* 1/1956 Katz ..... D11/45  
D206,587 S \* 1/1967 Nathanson ..... D11/67  
D248,286 S \* 6/1978 Barr ..... D11/33  
D248,741 S \* 8/1978 Barr ..... D11/33  
D327,660 S \* 7/1992 Waugh ..... D11/26  
D494,883 S \* 8/2004 Pachachi ..... D11/33  
D534,454 S \* 1/2007 Karachi-Langane ..... D11/34

(Continued)

**OTHER PUBLICATIONS**

[Online] "Nauti Nuptials's Diamond Flower Engagement Rings Posts." <http://nautinuptials.blogspot.com/>. Posted online Jul. 16, 2012, Jul. 29, 2012, Jul. 30, 2012, Nov. 25, 2012. Retrieved Jul. 10, 2016.\*

(Continued)

*Primary Examiner* — Melanie Pellegrini

(74) *Attorney, Agent, or Firm* — Donald J. Ranft; Collen IP

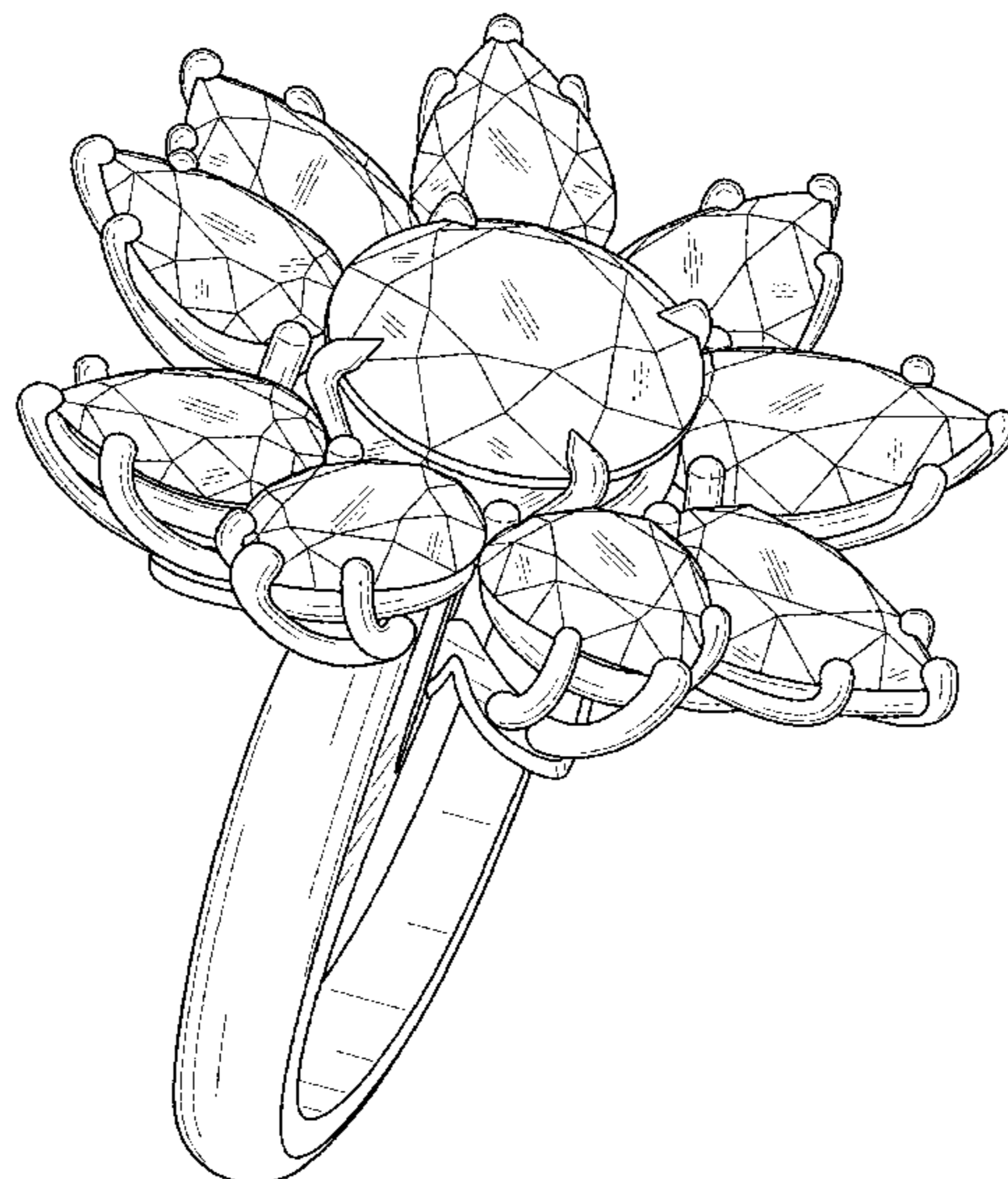
(57) **CLAIM**

The ornamental design for a ring, as shown.

**DESCRIPTION**

FIG. 1 is a front right perspective view of a ring showing my new design;  
FIG. 2 is a rear left perspective view thereof;  
FIG. 3 is a front view thereof;  
FIG. 4 is a rear view thereof;  
FIG. 5 is a left side view thereof;  
FIG. 6 is a right side view thereof;  
FIG. 7 is a top view thereof; and,  
FIG. 8 is a bottom view thereof.

**1 Claim, 6 Drawing Sheets**



(56)

**References Cited**

## U.S. PATENT DOCUMENTS

D538,194 S \* 3/2007 Hardy ..... D11/30  
D548,130 S \* 8/2007 Karachi-Langane ..... D11/30  
D689,786 S \* 9/2013 Flores ..... D11/3  
D702,585 S \* 4/2014 Pasquetti ..... D11/34  
D713,754 S \* 9/2014 Pasquetti ..... D11/33  
D727,200 S \* 4/2015 Kwon ..... D11/34  
D747,663 S \* 1/2016 Yatsugi-Kang ..... D11/34  
D747,664 S \* 1/2016 Yatsugi-Kang ..... D11/34  
D753,530 S \* 4/2016 Riviere ..... D11/34  
D759,534 S \* 6/2016 Riviere ..... D11/34  
D760,616 S \* 7/2016 Riviere ..... D11/34  
D760,617 S \* 7/2016 Kwon ..... D11/34

## OTHER PUBLICATIONS

[Online] "Gabriel & Co. Engagment Ring." <https://s-media-cache-ak0.pinning.com/236x/a4/04/9e/a4049ee046a415f3911ddbdf95fbaf3.jpg>. Retrieved Jul. 10, 2016.\*

[Online] [http://www.tiffany.com/jewelry/rings/flower-ring-GRP01843/flower-ring-21768243?utm\\_source=google&utm\\_term=&utm\\_campaign=PLA+-+Silver+Jewelry+Campaign&utm\\_medium=cpc&utm\\_content=NijubQRX|pcrid|87335652373|pkw||pmt||pdv|c|&gclid=Cj0KEQjw5le8BRCJ9fHlr\\_bH24cBEiQakoDQcew9XolsGDgFfcYLUswGP6drGYPfgrrx-Rnplm0VBvQaAj938P8HAQ](http://www.tiffany.com/jewelry/rings/flower-ring-GRP01843/flower-ring-21768243?utm_source=google&utm_term=&utm_campaign=PLA+-+Silver+Jewelry+Campaign&utm_medium=cpc&utm_content=NijubQRX|pcrid|87335652373|pkw||pmt||pdv|c|&gclid=Cj0KEQjw5le8BRCJ9fHlr_bH24cBEiQakoDQcew9XolsGDgFfcYLUswGP6drGYPfgrrx-Rnplm0VBvQaAj938P8HAQ). Retrieved Jul. 10, 2016.\*

[Online] "Sunflower by Harry Winston, Petite Ruby and Diamond Ring." <http://www.harrywinston.com/en/sunflower-harry-winston-petite-ruby-and-diamond-ring>. Retrieved Jul. 11, 2016.\*

\* cited by examiner

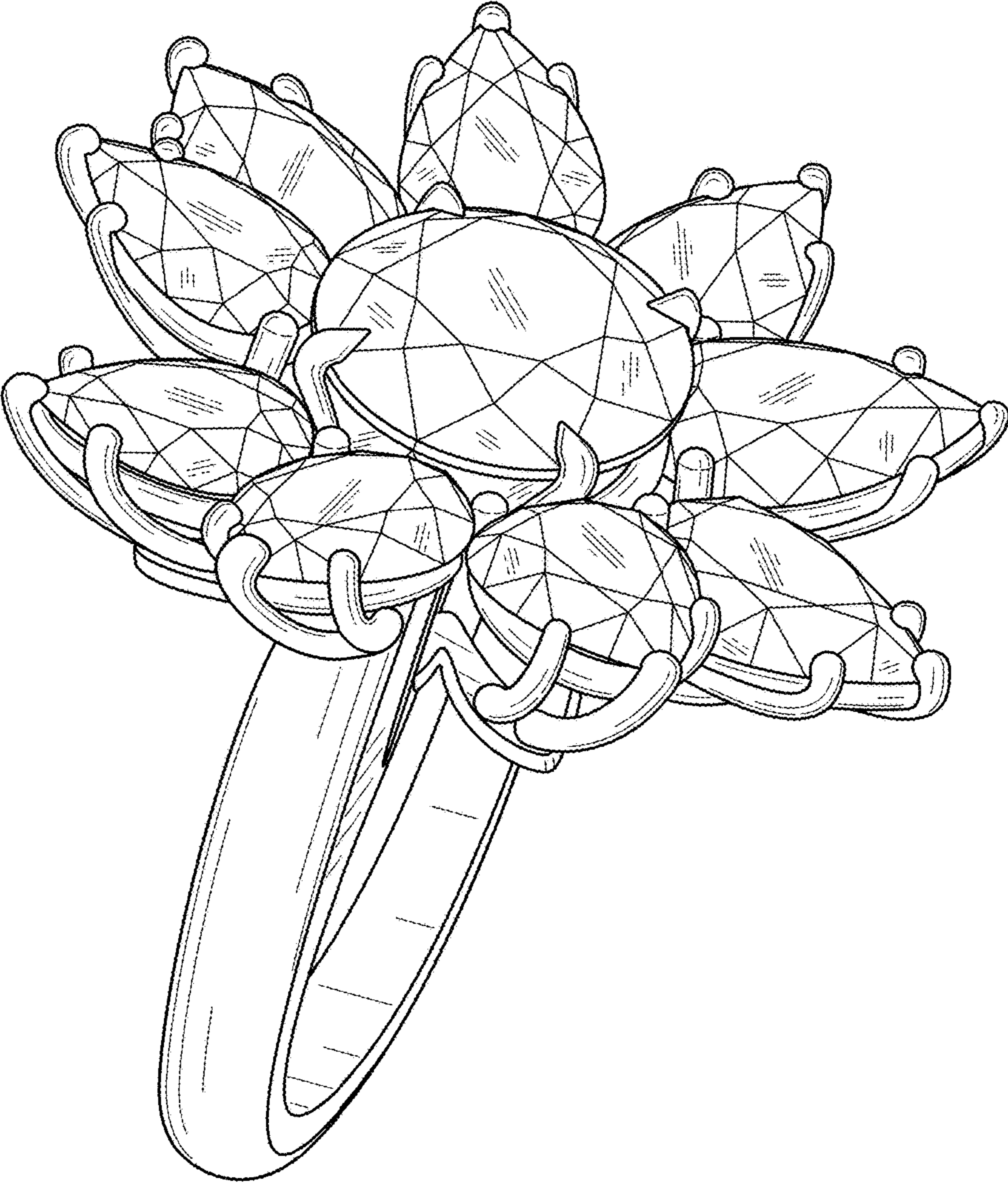


FIG. 1

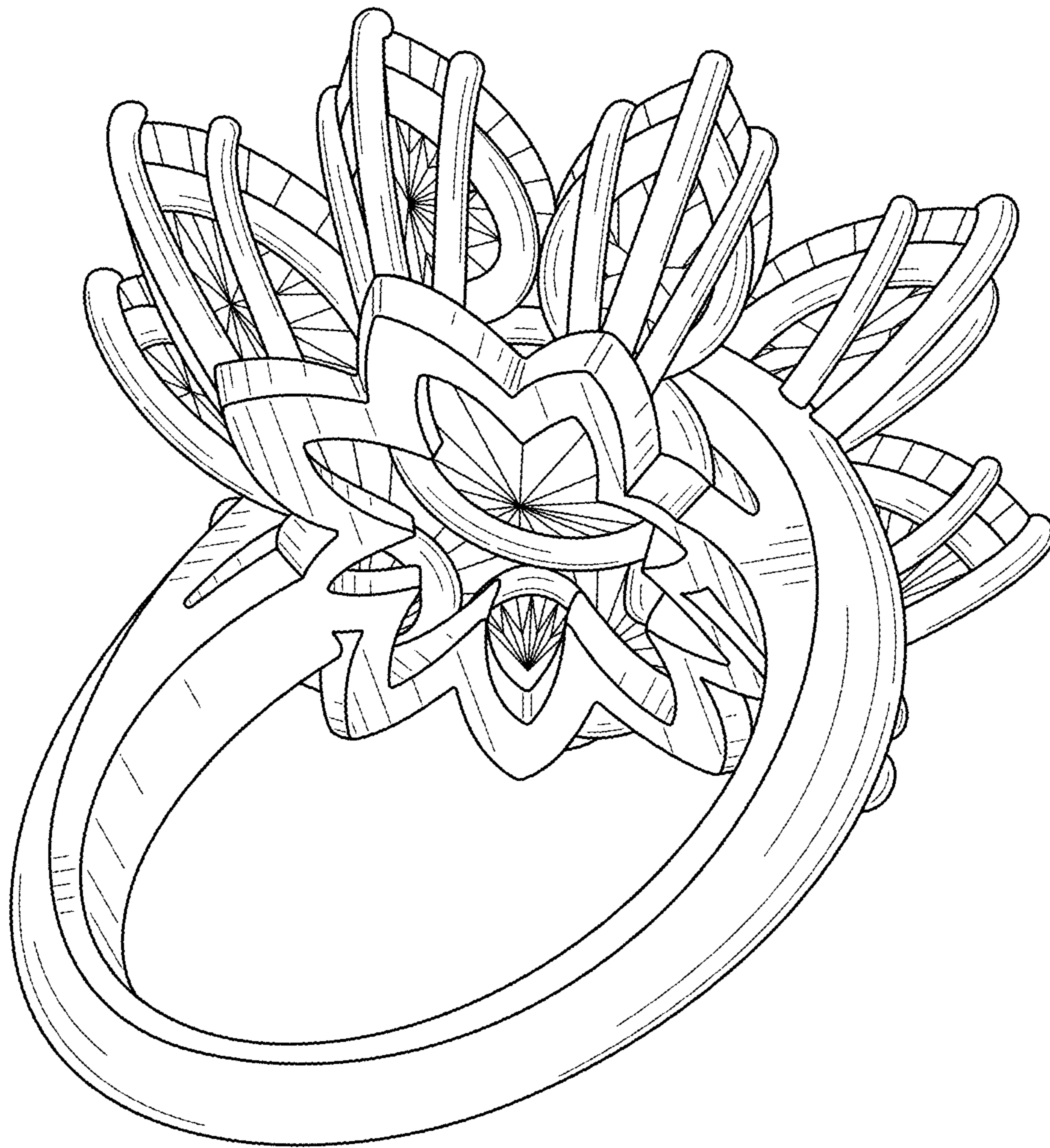


FIG. 2

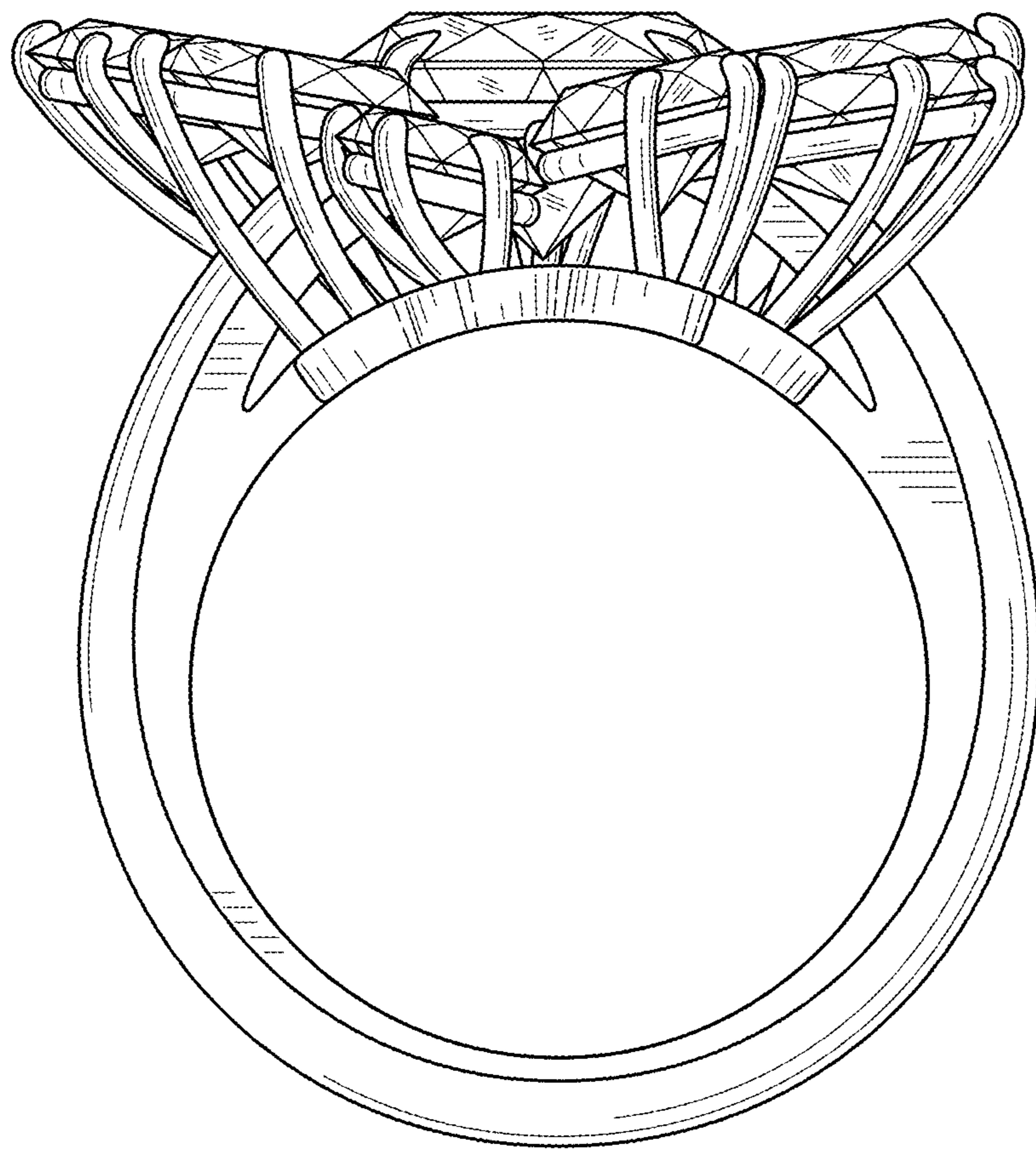


FIG. 3

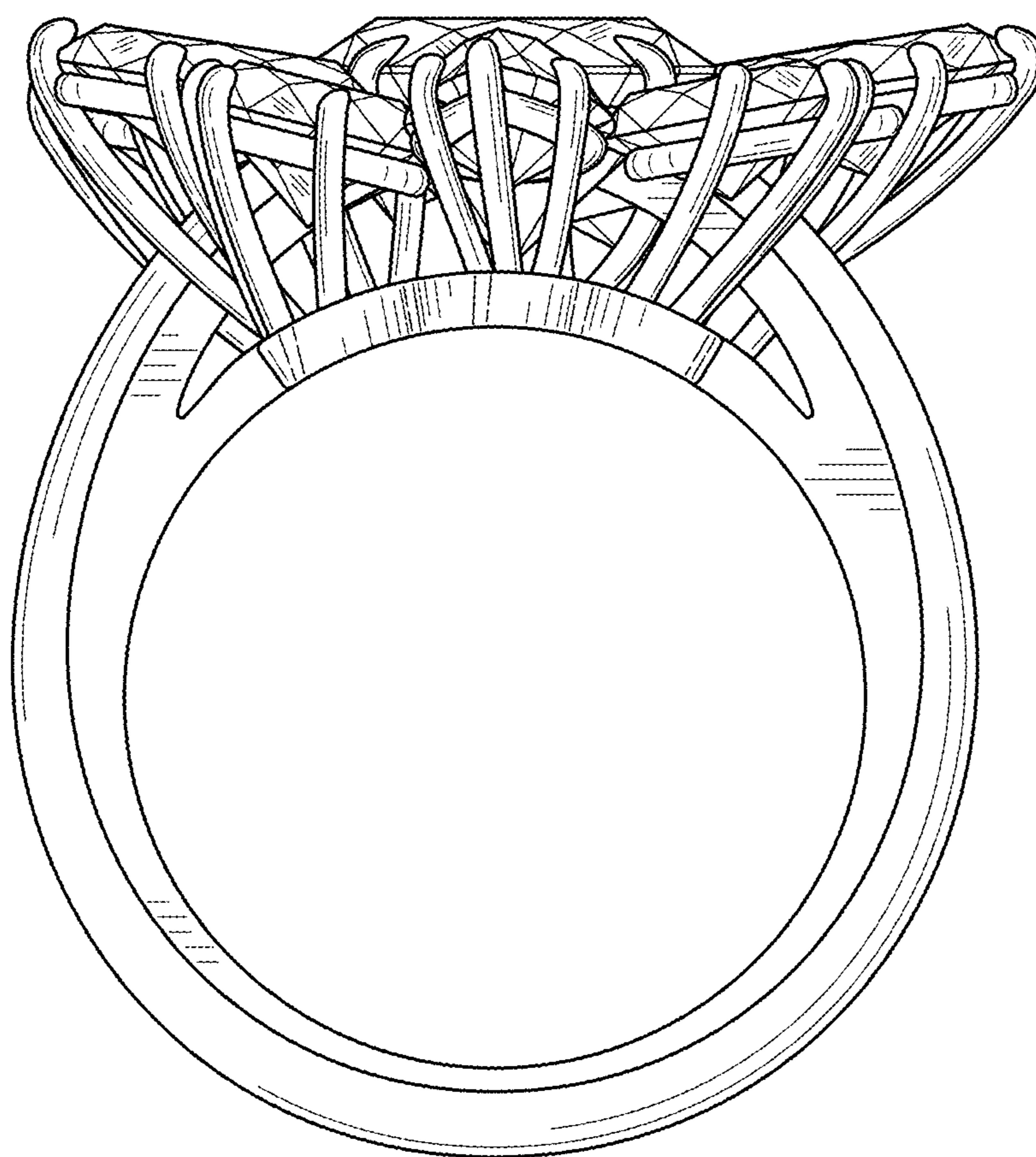


FIG. 4

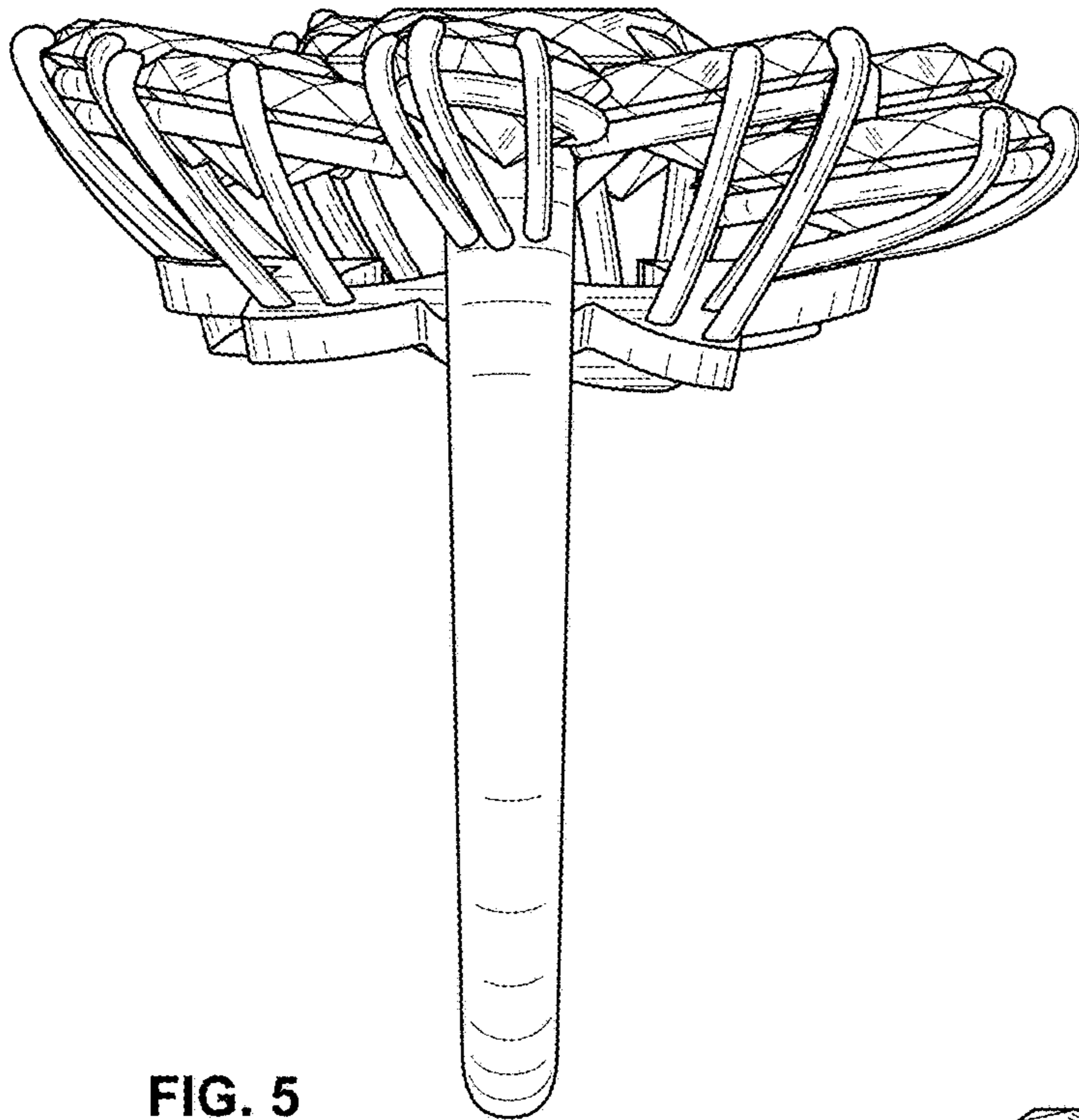


FIG. 5

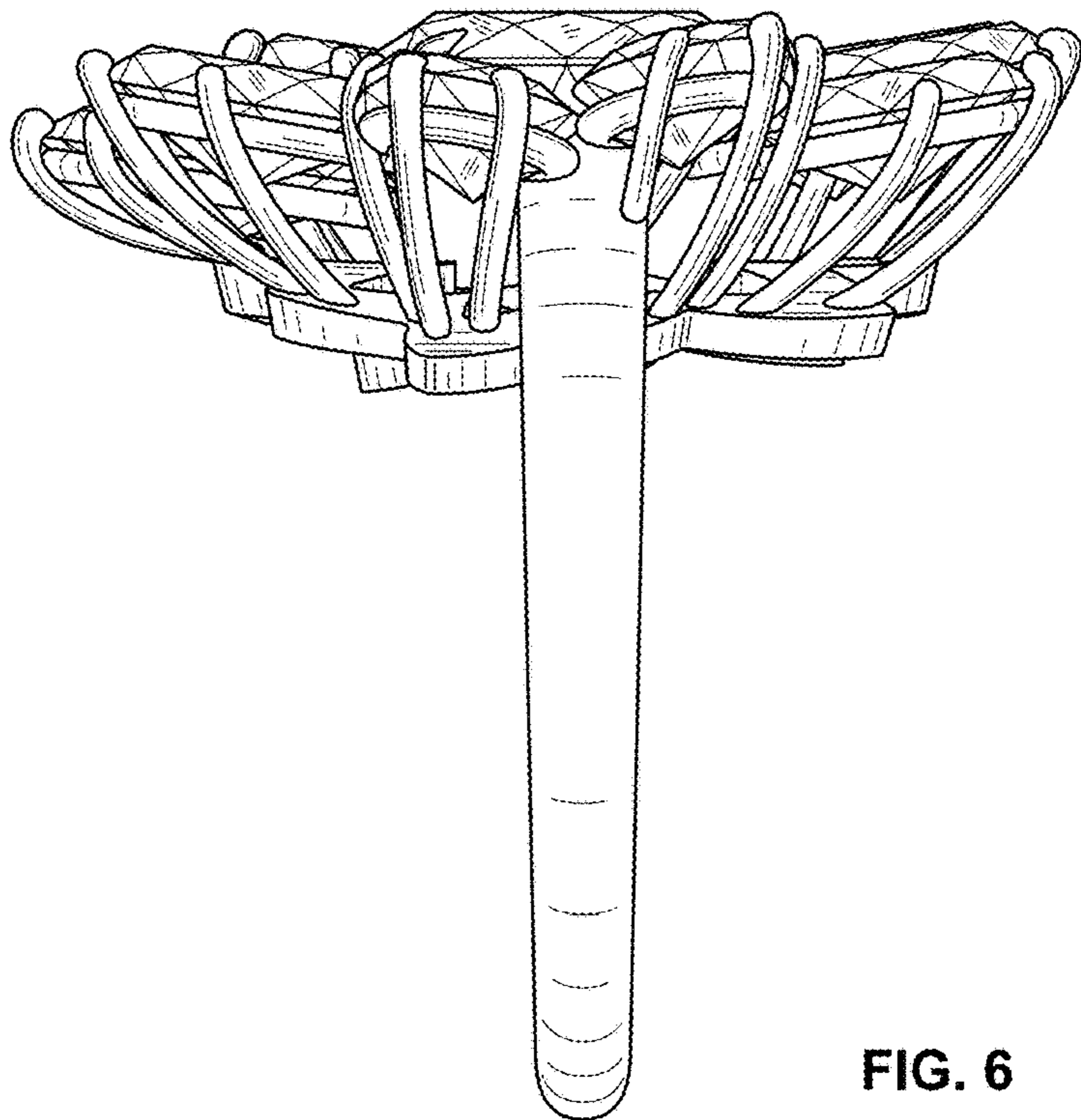


FIG. 6

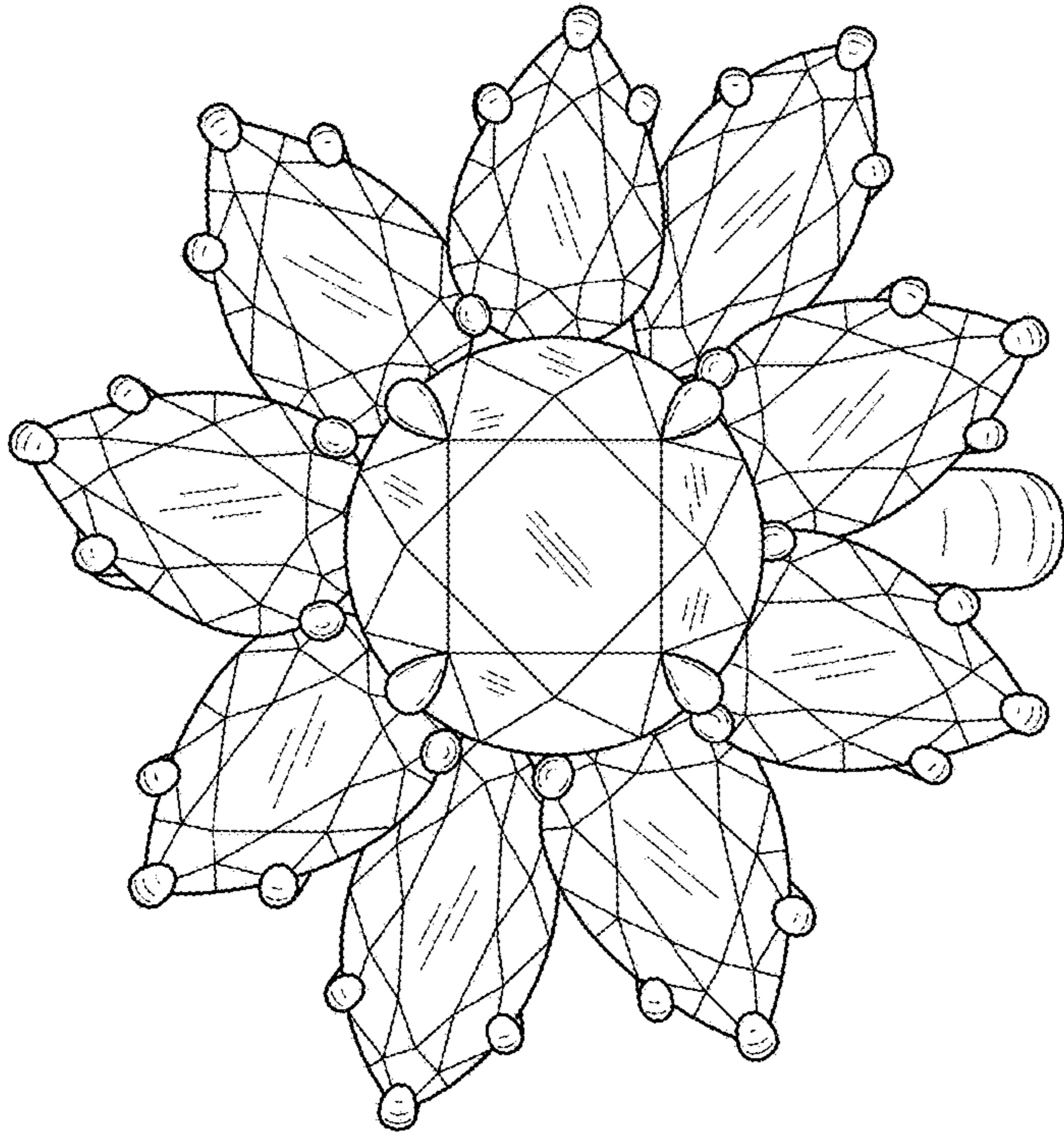


FIG. 7

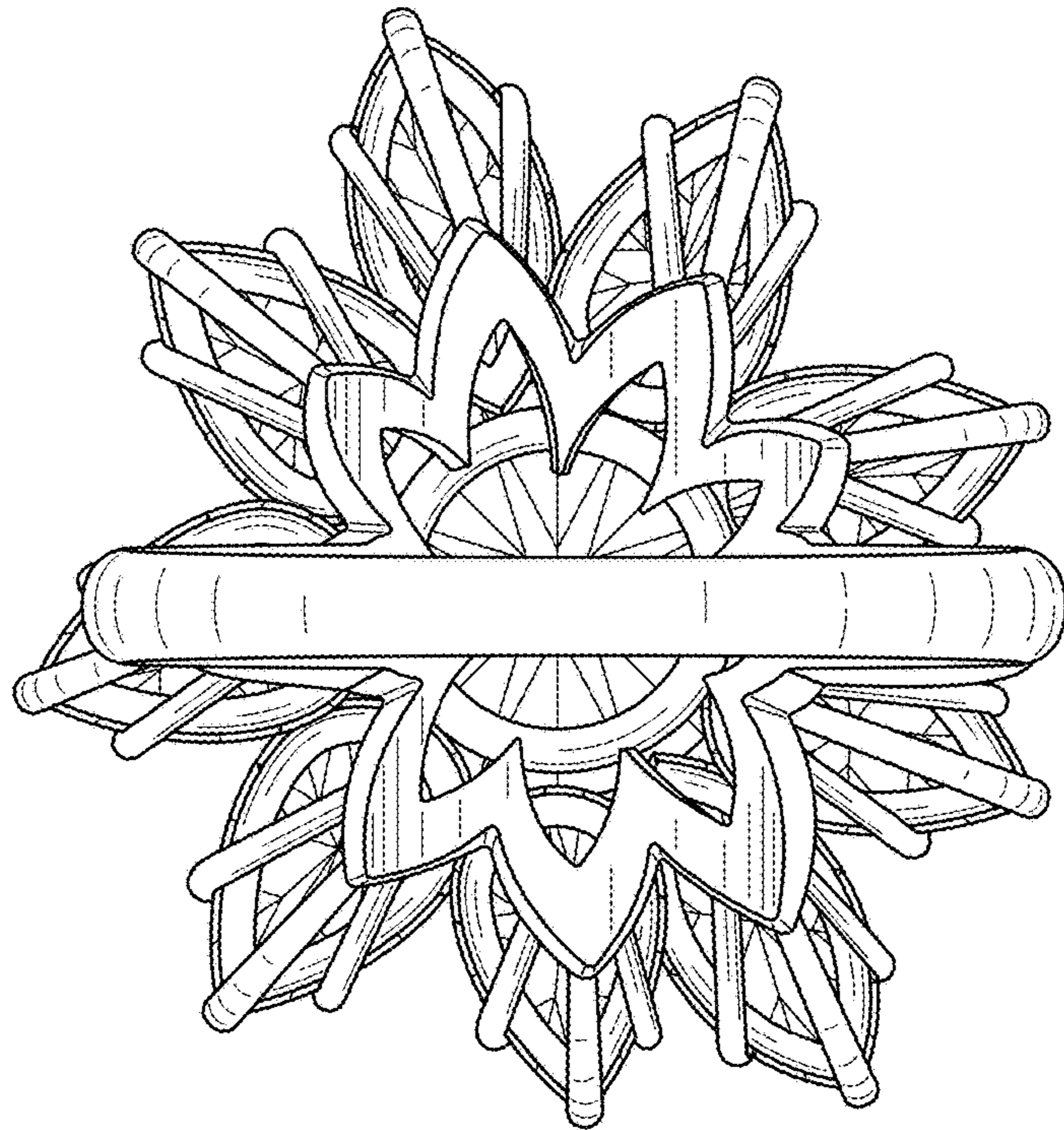


FIG. 8