



US00D780021S

(12) **United States Design Patent**  
**Magallanes-Leal**

(10) **Patent No.:** **US D780,021 S**

(45) **Date of Patent:** **\*\* Feb. 28, 2017**

- (54) **RING**
- (71) Applicant: **Cartier International AG**, Steinhausen (CH)
- (72) Inventor: **Sofia Magallanes-Leal**, Paris (FR)
- (73) Assignee: **Cartier International AG**, Steinhausen (CH)

- D214,337 S \* 6/1969 Hoffenberg ..... D11/32
- D301,316 S \* 5/1989 Yoshida ..... D11/75
- D427,538 S \* 7/2000 Kern ..... D11/26
- D472,495 S \* 4/2003 Hardy ..... D11/34
- D505,637 S \* 5/2005 Lev Sercarz ..... D11/34
- D538,696 S \* 3/2007 Azrielant ..... D11/28
- D538,697 S \* 3/2007 Azrielant ..... D11/28
- D542,694 S \* 5/2007 Schweizer ..... D11/34

(Continued)

(\*\*) Term: **15 Years**

**OTHER PUBLICATIONS**

(21) Appl. No.: **29/534,991**

[Online] [http://images.selfridges.com/is/image/selfridges/852-10134-CRB4213500\\_M?\\$PDP\\_M\\_ALL\\$](http://images.selfridges.com/is/image/selfridges/852-10134-CRB4213500_M?$PDP_M_ALL$). Retrieved Jul. 21, 2016.\*

(22) Filed: **Aug. 3, 2015**

(51) **LOC (10) Cl.** ..... **11-01**

(52) **U.S. Cl.**  
USPC ..... **D11/34**

*Primary Examiner* — Melanie Pellegrini  
(74) *Attorney, Agent, or Firm* — Taft Stettinius & Hollister LLP

(58) **Field of Classification Search**  
USPC .. D11/1, 2, 3, 4, 5, 26-39, 91, 9, 66, 67, 68  
CPC ..... A44C 5/00; A44C 5/0007; A44C 5/0015;  
A44C 5/003; A44C 5/053; A44C 9/00;  
A44C 9/0007; A44C 9/001; A44C  
9/0023; A44C 9/003; A44C 9/0038; A44C  
9/0046; A44C 9/0053; A44C 9/0061;  
A44C 9/0069; A44C 9/0076; A44C  
9/0092; A44C 17/0258; A44C 17/0266;  
A44C 17/0275; A44C 17/02783; A44C  
17/02; A44C 17/0208; A44C 17/0216;  
A44C 17/0225; A44C 17/0233; A44C  
17/0241; A44C 17/025; A44C 17/0283;  
A44C 17/0291

See application file for complete search history.

(57) **CLAIM**

The ornamental design for a ring, as shown and described.

**DESCRIPTION**

FIG. 1 is a top side view of a ring of the present invention.  
FIG. 2 is a bottom side view of the ring of FIG. 1.  
FIG. 3 is a right side view of the ring of FIG. 1.  
FIG. 4 is a left side view of the ring of FIG. 1.  
FIG. 5 is a front side view of the ring of FIG. 1.  
FIG. 6 is a back side view of the ring of FIG. 1.  
FIG. 7 is a top, left side perspective view of the ring of FIG. 1; and,  
FIG. 8 is a bottom, right side perspective view of the ring of FIG. 1.

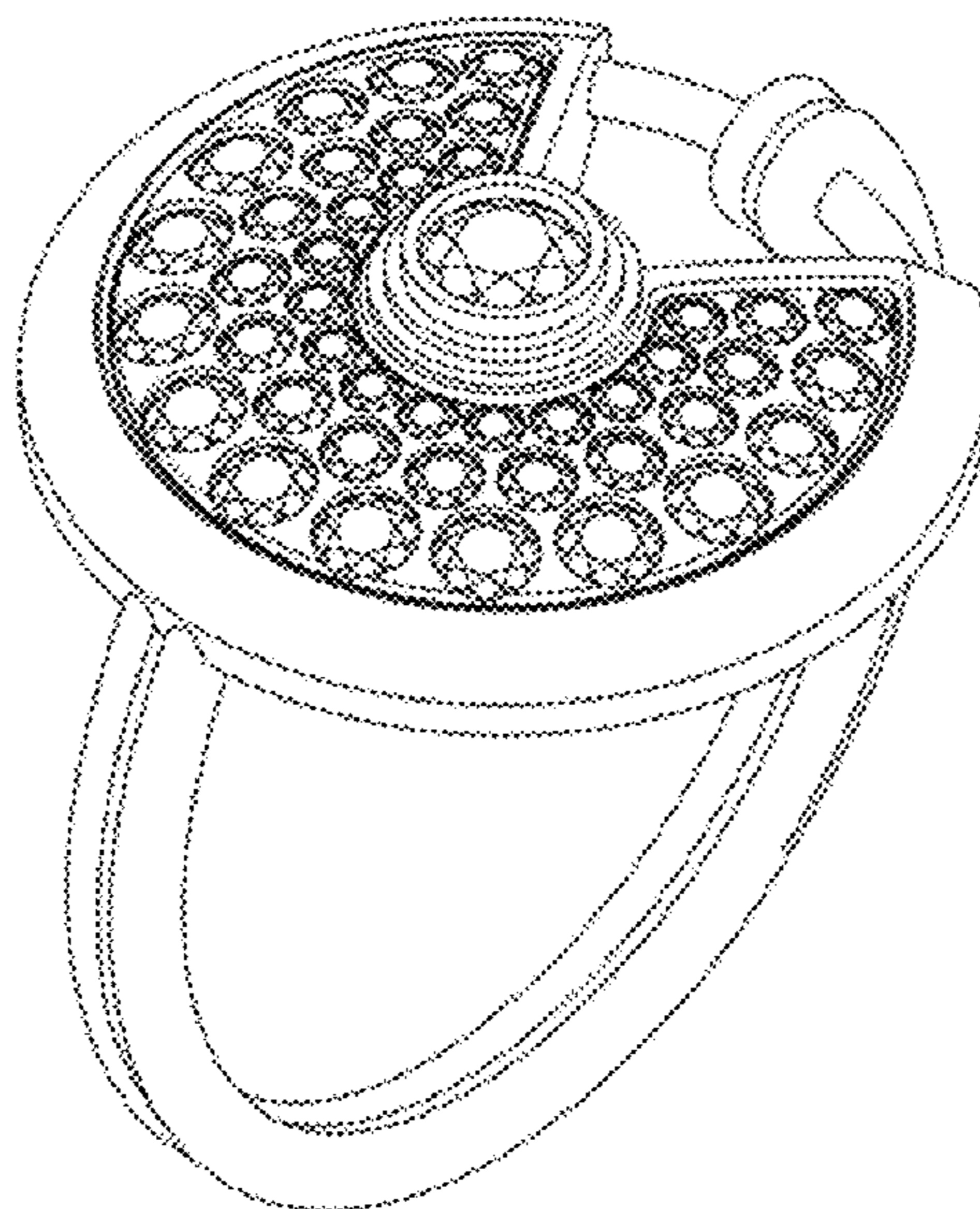
The broken lines in FIG. 8 illustrate a portion of the ring that forms no part of the claimed design.

(56) **References Cited**

**U.S. PATENT DOCUMENTS**

- D94,276 S \* 1/1935 Mallin ..... D11/26
- D182,205 S \* 2/1958 Schreiber ..... D10/31

**1 Claim, 2 Drawing Sheets**



(56)

**References Cited**

U.S. PATENT DOCUMENTS

D542,695	S	*	5/2007	Schweizer	.....	D11/34
D606,895	S	*	12/2009	Lebail	.....	D11/34
D626,878	S	*	11/2010	Hardy	.....	D11/79
D644,140	S	*	8/2011	Bulgari	.....	D11/26
D654,822	S	*	2/2012	Greppi	.....	D11/1
D662,437	S	*	6/2012	Verdeille	.....	D11/34
D672,266	S	*	12/2012	Yurman	.....	D11/34
D736,665	S	*	8/2015	Nemzer	.....	D11/79
D743,831	S	*	11/2015	Yatsugi-Kang	.....	D11/34
D757,595	S	*	5/2016	Hardy	.....	D11/79
D758,909	S	*	6/2016	Young	.....	D11/26
D759,536	S	*	6/2016	Hardy	.....	D11/79

\* cited by examiner

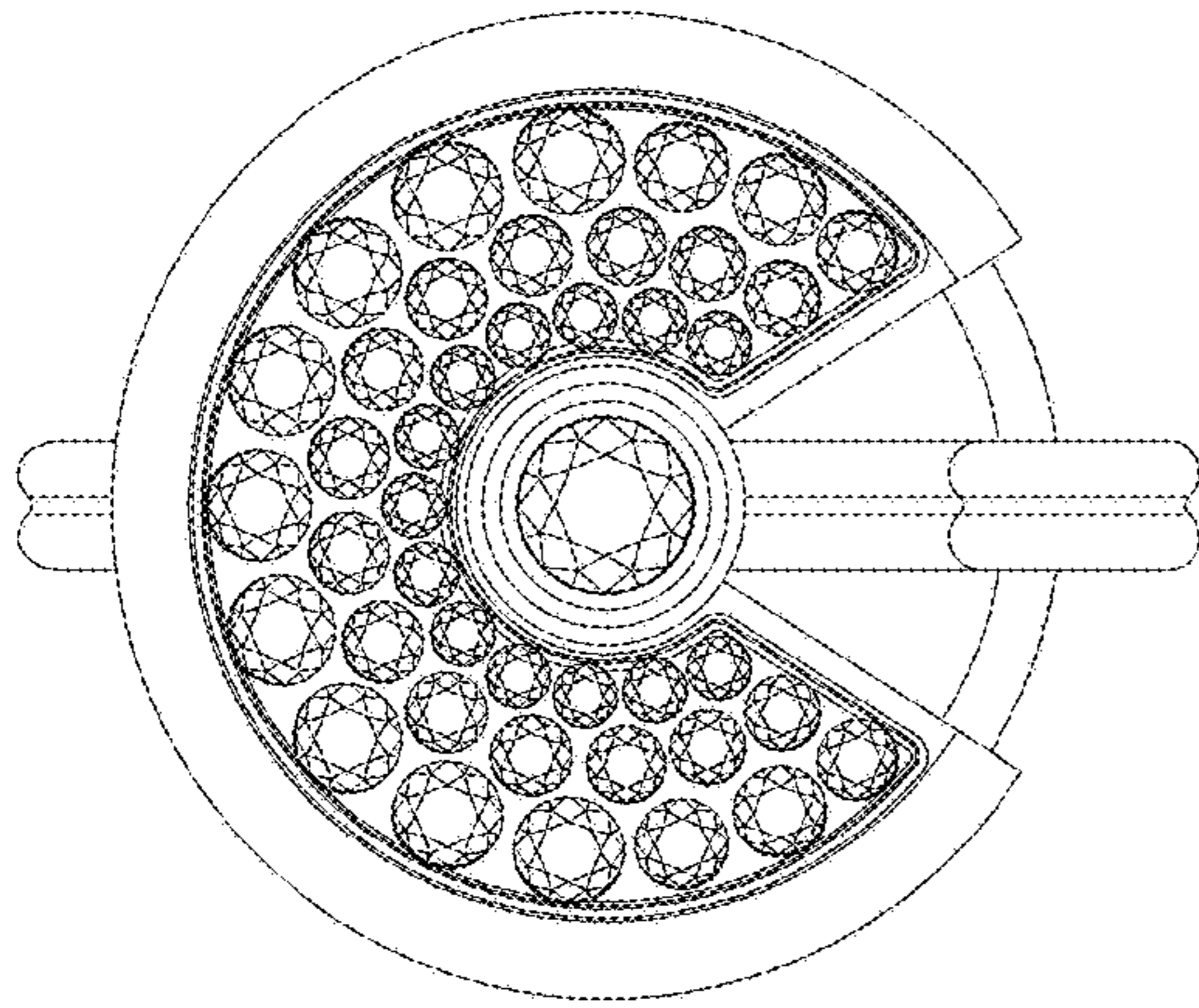


FIG 1

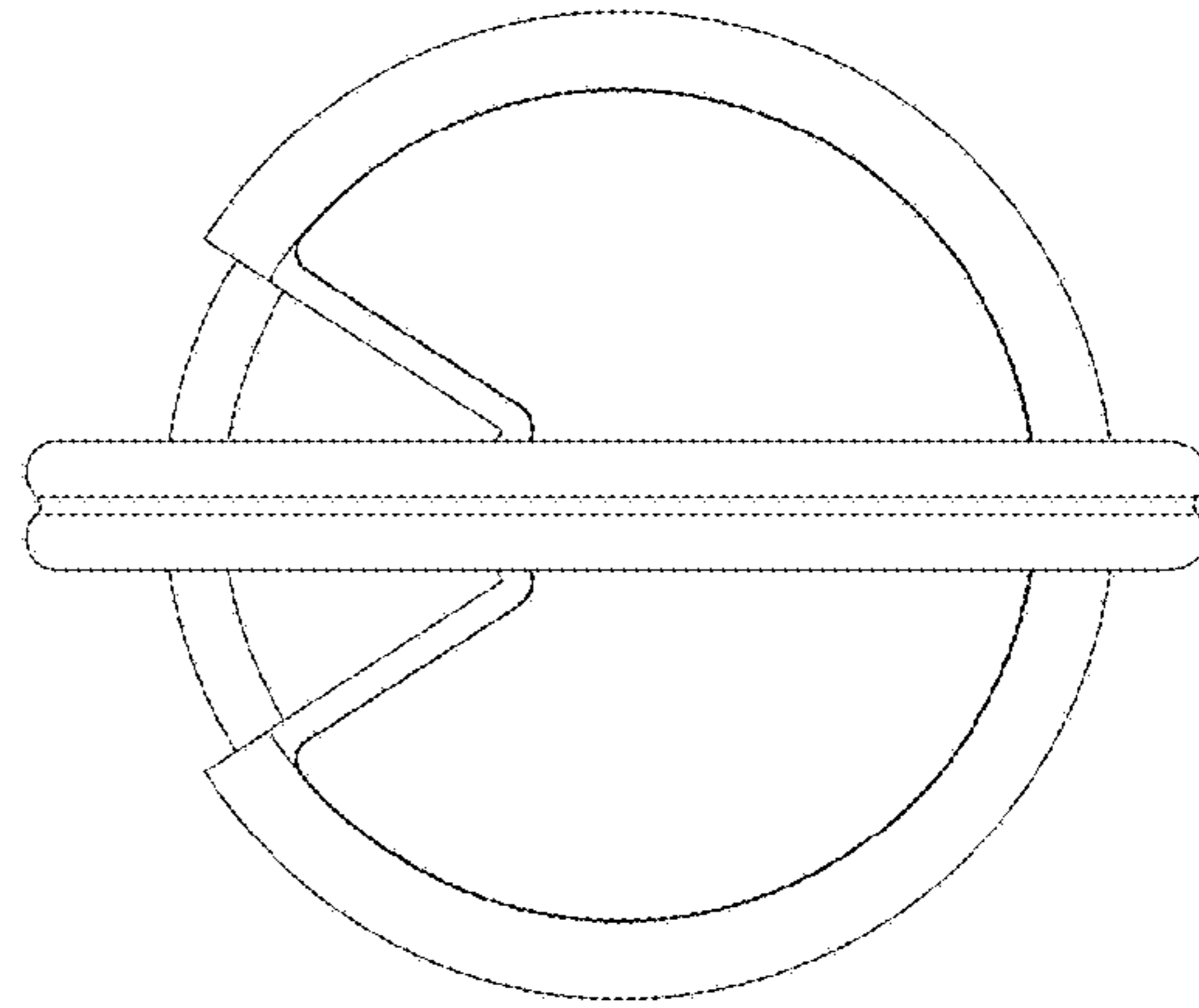


FIG 2

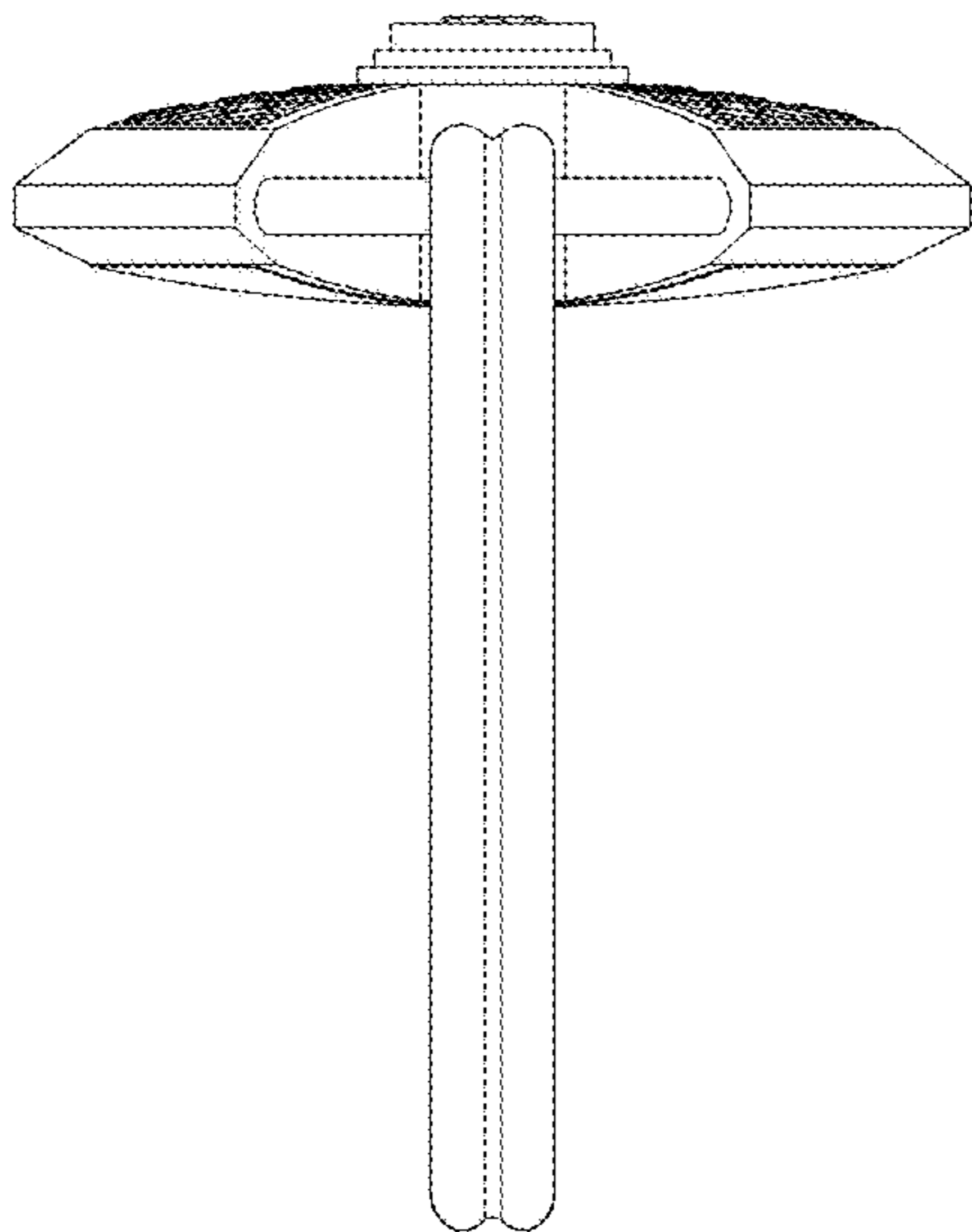


FIG 3

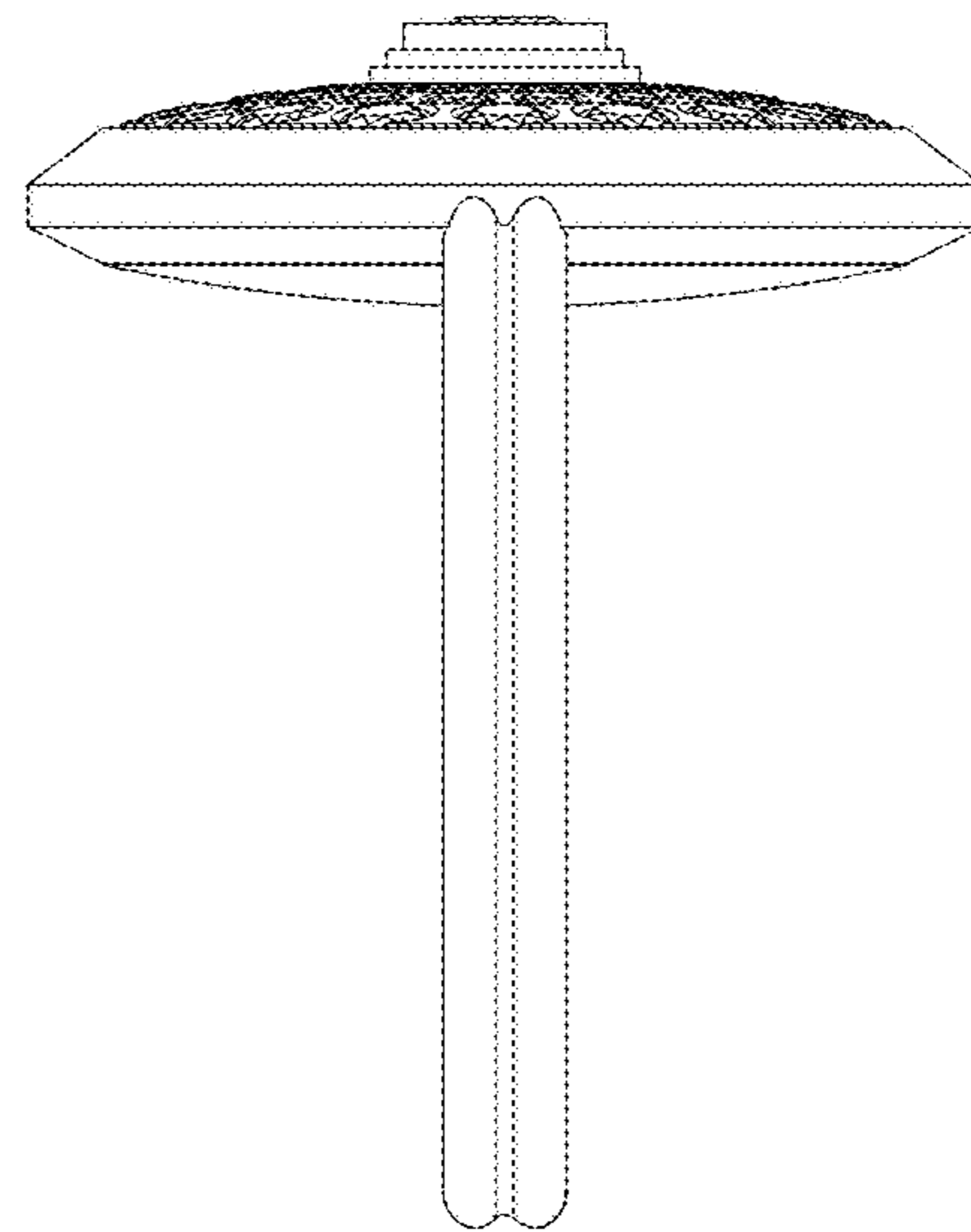


FIG 4



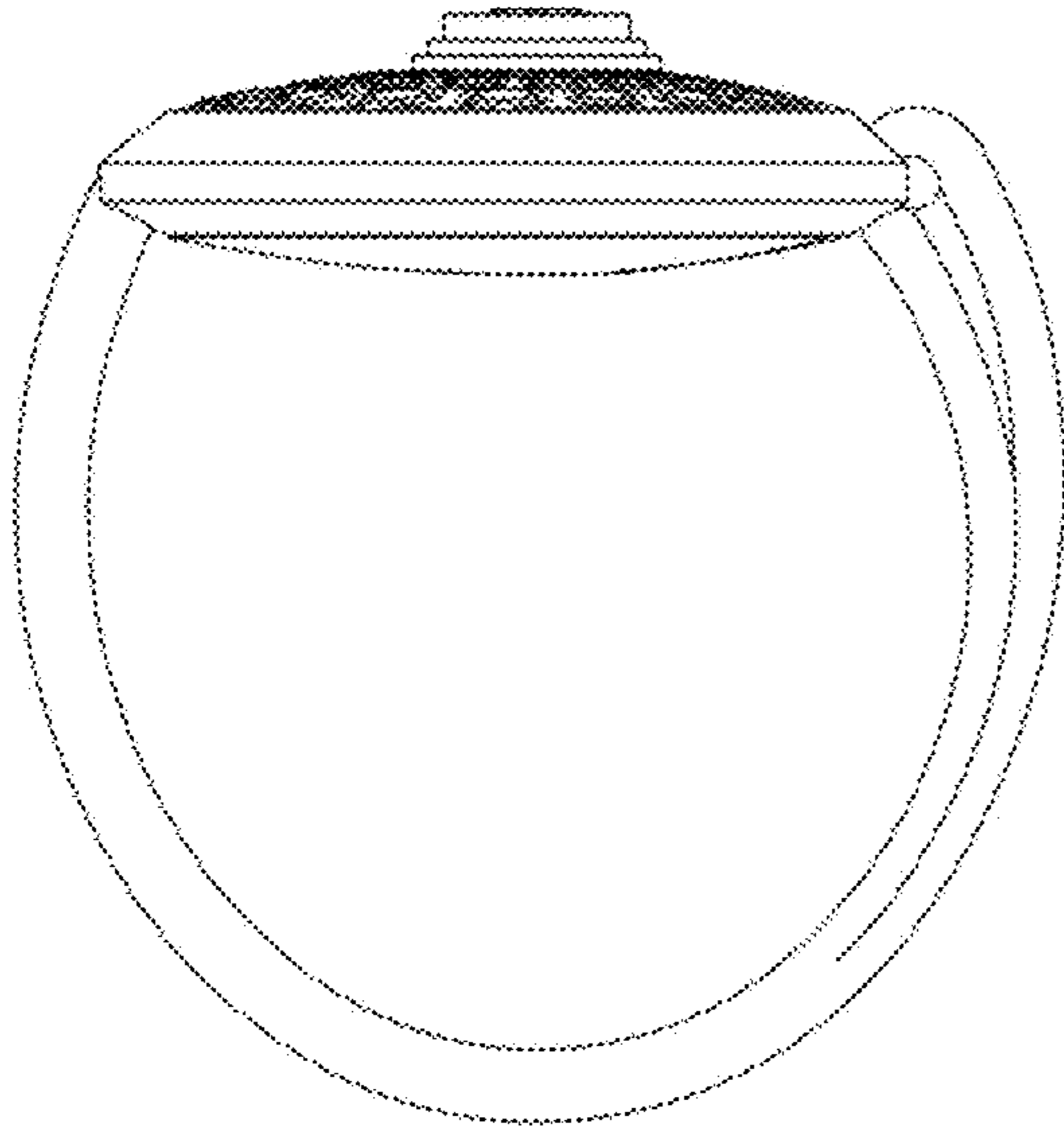


FIG. 5

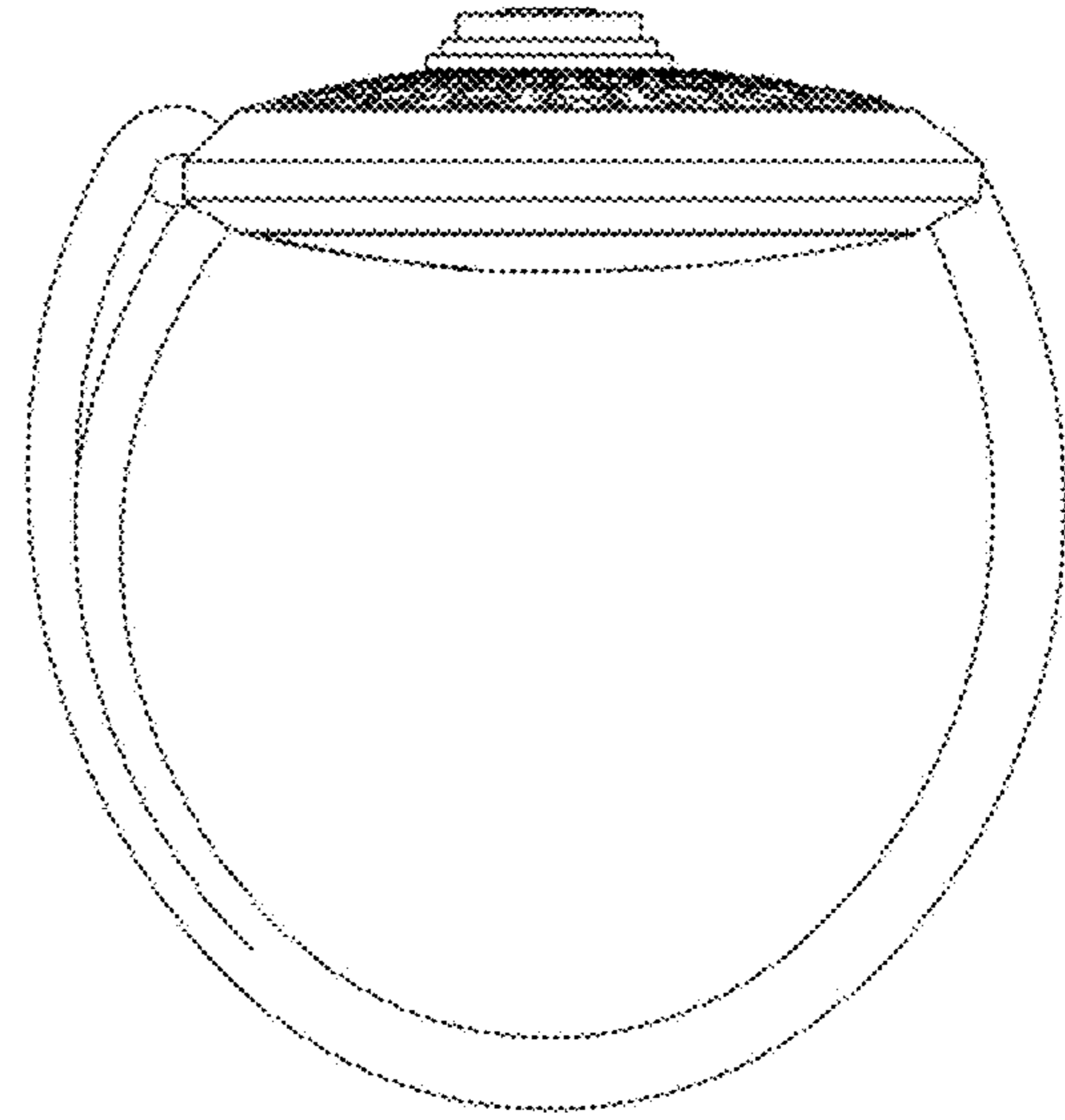


FIG. 6

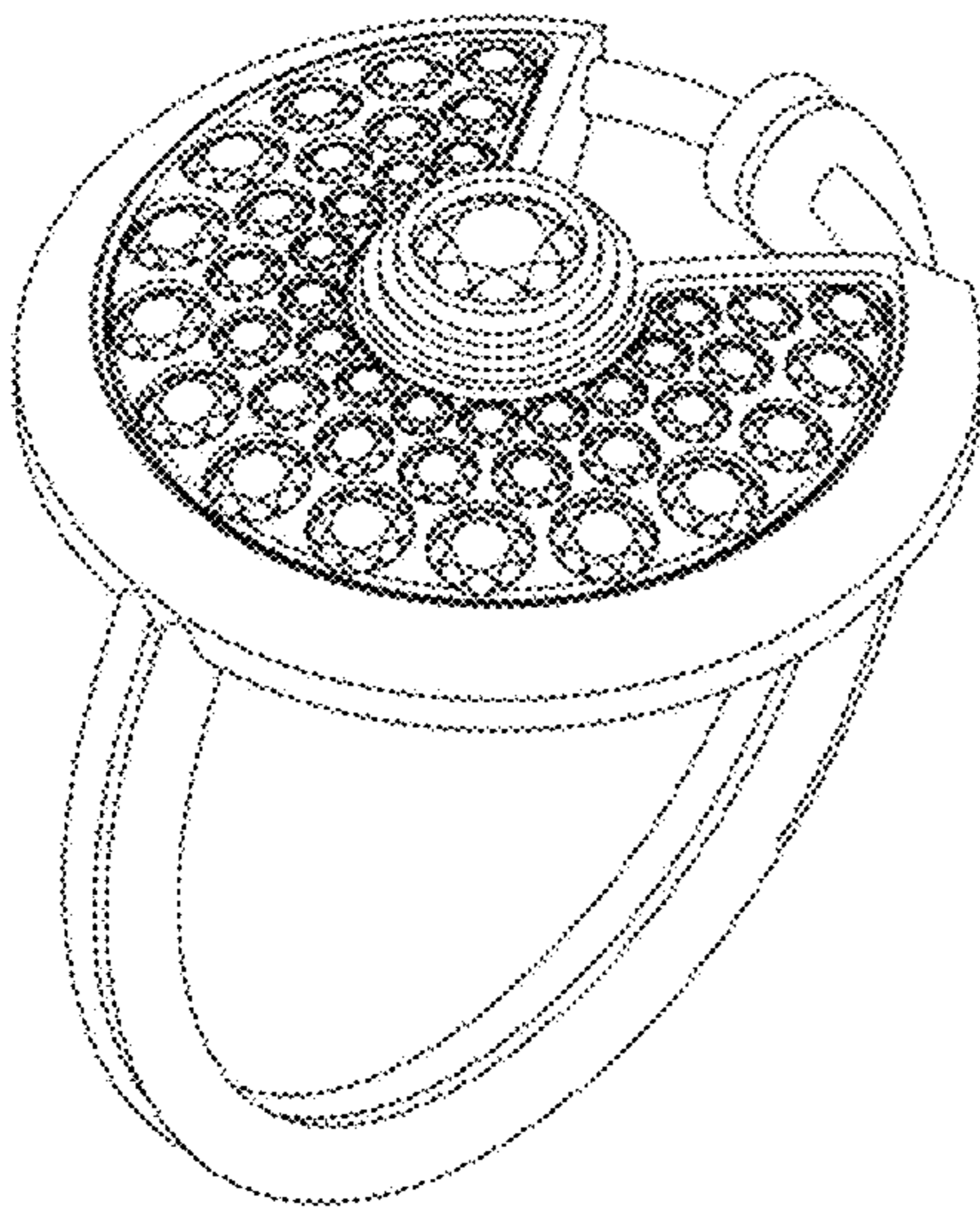


FIG. 7

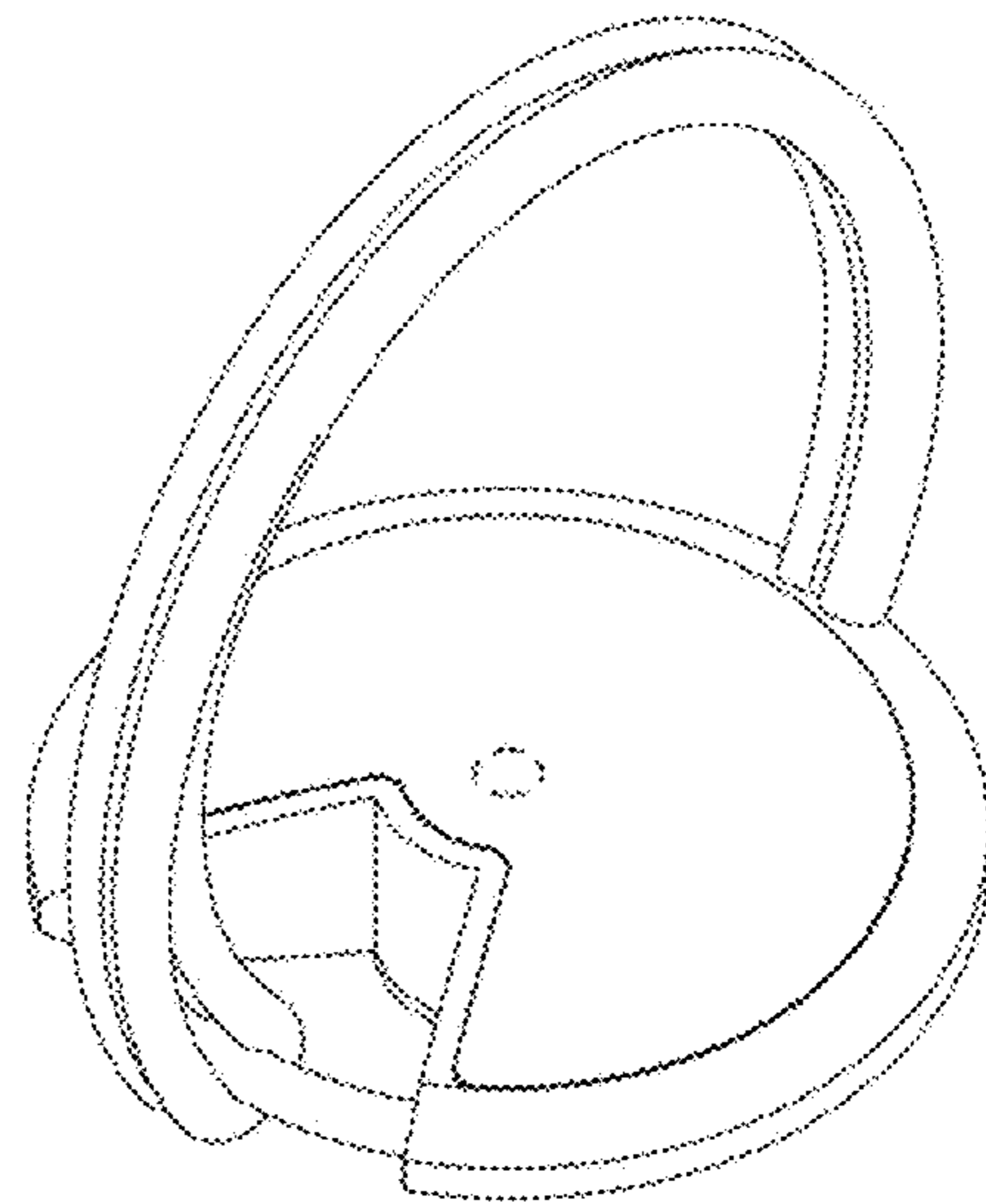


FIG. 8