



US00D780010S

(12) **United States Design Patent** (10) **Patent No.:** **US D780,010 S**
Amfitheatrof et al. (45) **Date of Patent:** **** Feb. 28, 2017**

(54) **JEWELRY ITEM**

(71) Applicant: **Tiffany and Company**, New York, NY (US)

(72) Inventors: **Francesca Amfitheatrof**, New York, NY (US); **Michal Dayan**, Brooklyn, NY (US); **Nina Martensson**, Juoksengi (SE)

(73) Assignee: **Tiffany and Company**, New York, NY (US)

(**) Term: **14 Years**

(21) Appl. No.: **29/504,306**

(22) Filed: **Oct. 3, 2014**

(51) **LOC (10) Cl.** **11-01**

(52) **U.S. Cl.**
USPC **D11/26; D11/4**

(58) **Field of Classification Search**
USPC D11/1-39, 91, 92, 93
CPC A44C 5/00; A44C 5/0007; A44C 5/0015;
A44C 5/0023; A44C 5/003; A44C 5/0038; A44C 5/0046; A44C 9/00; A44C 9/0007; A44C 9/0015; A44C 9/0023; A44C 9/003;

(Continued)

(56) **References Cited**

U.S. PATENT DOCUMENTS

D58,564 S * 8/1921 Cory D11/61
D226,280 S * 2/1973 Minter D11/61

(Continued)

OTHER PUBLICATIONS

[Online] "Tiffany T Wire Ring" http://media.tiffany.com/is/image/Tiffany/EcomBrowseM/tiffany-t-wire-ring-33863942_937850_

ED_M.jpg?op_usm=1.75,1.00,6.00
&defaultImage=NoImageAvailable&&. Retrieved Aug. 18, 2016.*
(Continued)

Primary Examiner — Melanie Pellegrini
(74) *Attorney, Agent, or Firm* — Fross Zelnick Lehrman & Zissu, P.C.; Charles T. J. Weigell, Esq.

(57) **CLAIM**

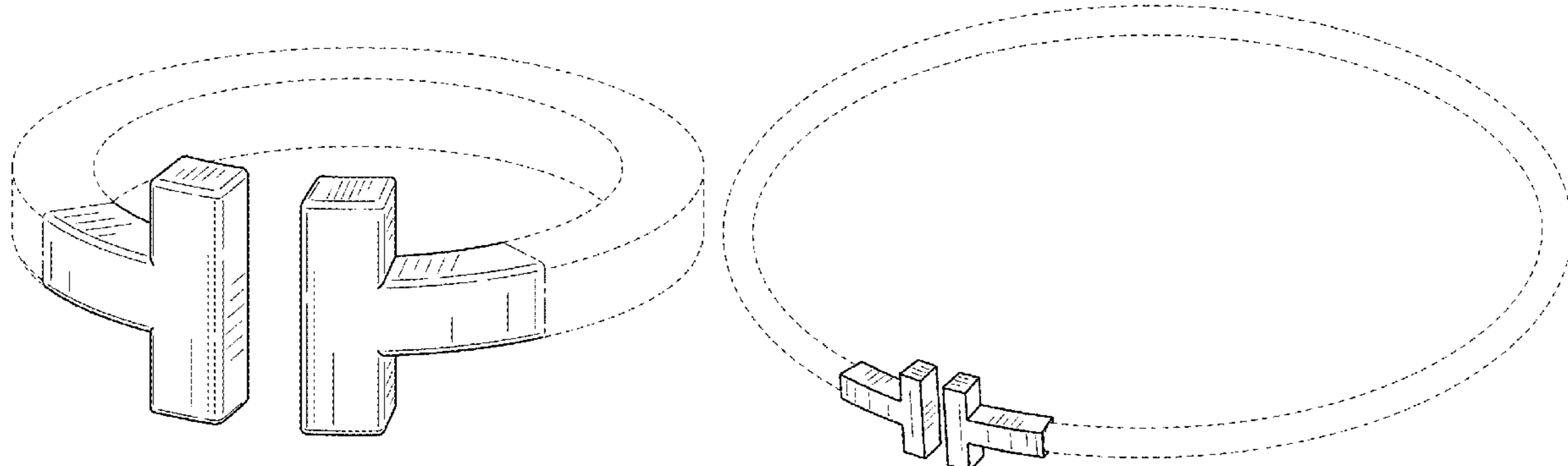
The ornamental design for a jewelry item, as shown and described.

DESCRIPTION

FIG. 1 is a front perspective view of a jewelry item showing our new design;
FIG. 2 is a front view thereof;
FIG. 3 is a rear view thereof;
FIG. 4 is a left side view thereof;
FIG. 5 is a right side view thereof;
FIG. 6 is a top view thereof;
FIG. 7 is a bottom view thereof;
FIG. 8 is a front perspective view of a jewelry item shown in an alternate environment;
FIG. 9 is a front view thereof;
FIG. 10 is a rear view thereof;
FIG. 11 is a left side view thereof;
FIG. 12 is a right side view thereof;
FIG. 13 is a top view thereof;
FIG. 14 is a bottom view thereof;
FIG. 15 is a front perspective view of a second embodiment of a jewelry item;
FIG. 16 is a front view thereof;
FIG. 17 is a rear view thereof;
FIG. 18 is a left side view thereof;
FIG. 19 is a right side view thereof;
FIG. 20 is a top view thereof; and
FIG. 21 is a bottom view thereof.

The broken lines depicting a hinge and jewelry band represent portions of the jewelry item which form no part of the claimed design. The dot-dash style broken lines represent the boundaries of the claim.

1 Claim, 9 Drawing Sheets



(58) **Field of Classification Search**

CPC ... A44C 9/0038; A44C 9/0046; A44C 9/0053;
A44C 9/0061; A44C 9/0069; A44C
9/0076; A44C 17/02

See application file for complete search history.

(56) **References Cited**

U.S. PATENT DOCUMENTS

D249,877	S	*	10/1978	Shambrook	D11/61
D251,776	S	*	5/1979	Rosen	D11/61
D305,516	S	*	1/1990	Bulgari	D11/15
D402,570	S	*	12/1998	Wright	D10/31
D593,431	S	*	6/2009	Komenaka	D11/26
D634,665	S	*	3/2011	Lagnese	D11/60
D713,294	S	*	9/2014	Mouquet	D11/231

OTHER PUBLICATIONS

Loren Stewart, "Two-Diamond Adjustable Ring" www.barneys.com, printed on Jun. 20, 2014.

"Carma Rose Gold Plated Ring" www.follifollie.us.com, printed on Nov. 20, 2014.

* cited by examiner

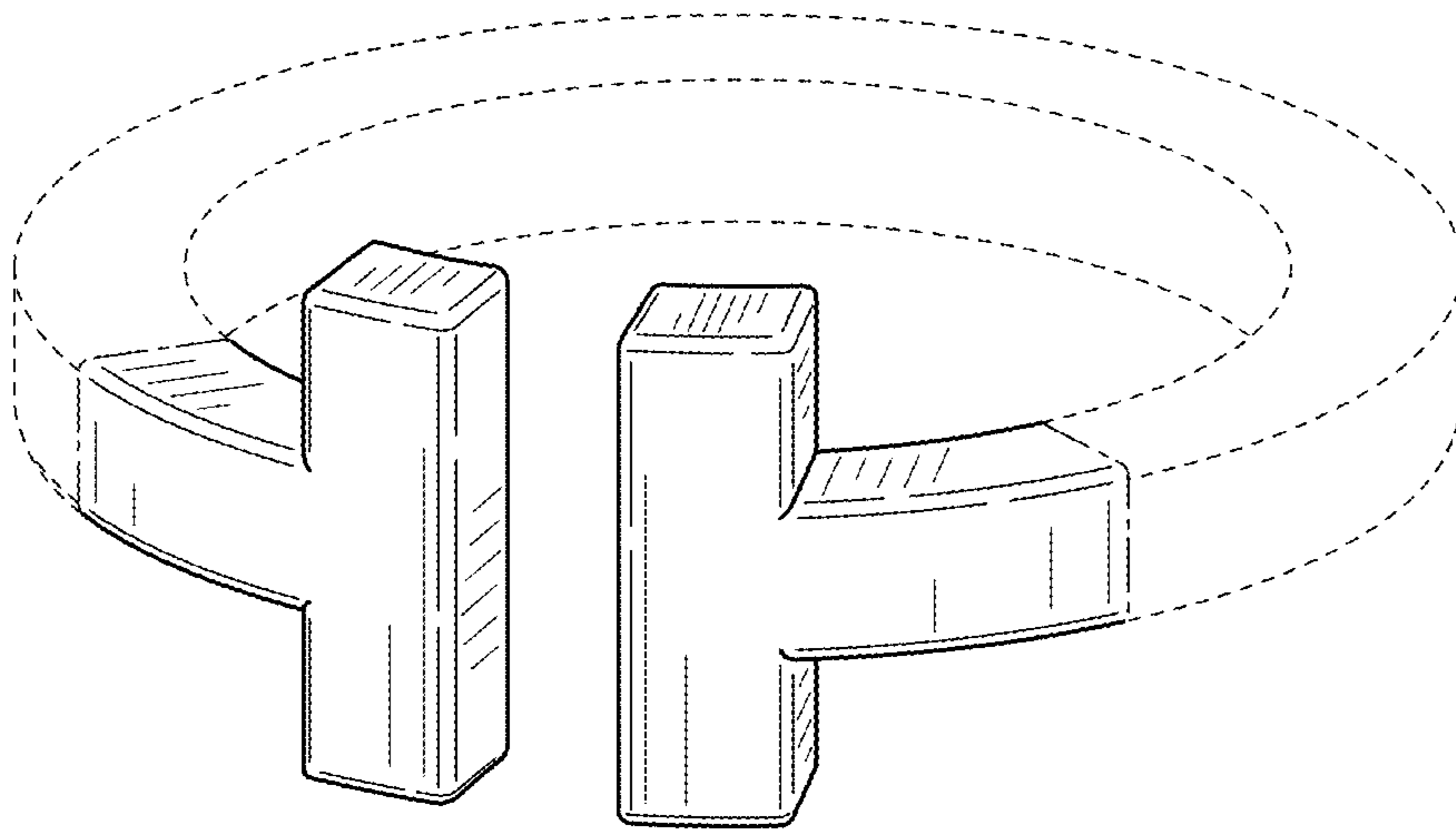


FIG. 1

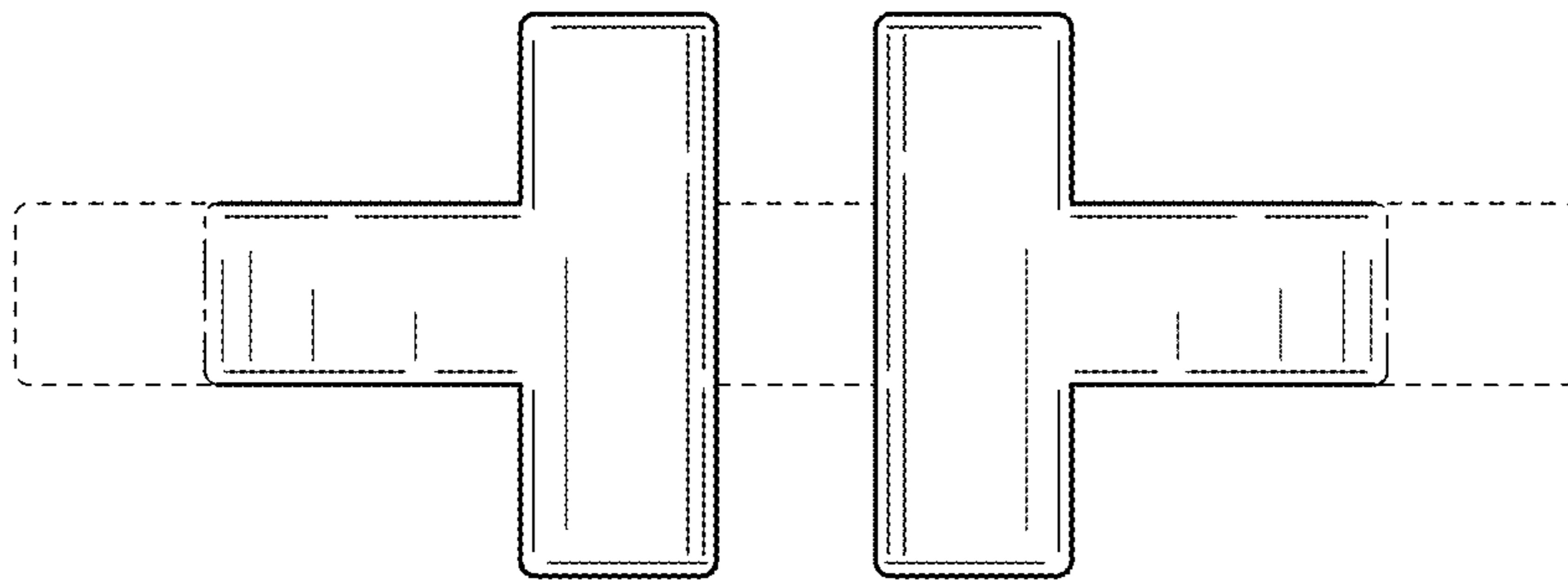


FIG. 2

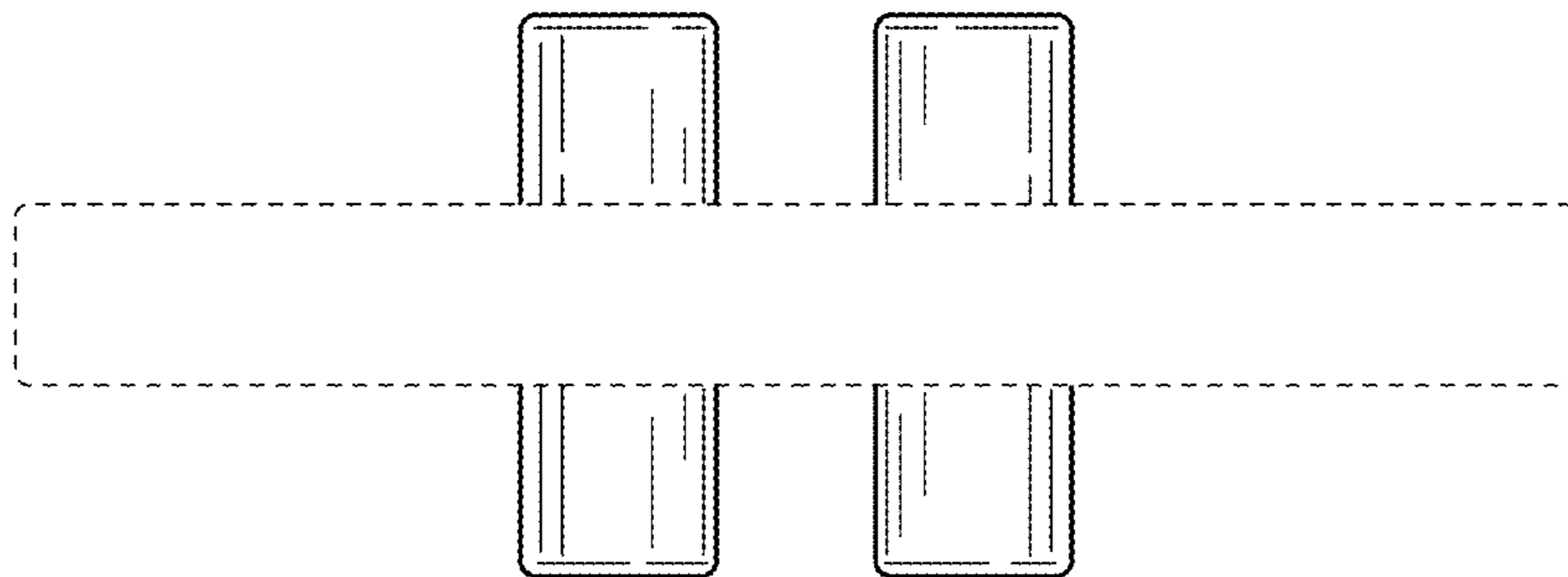


FIG. 3

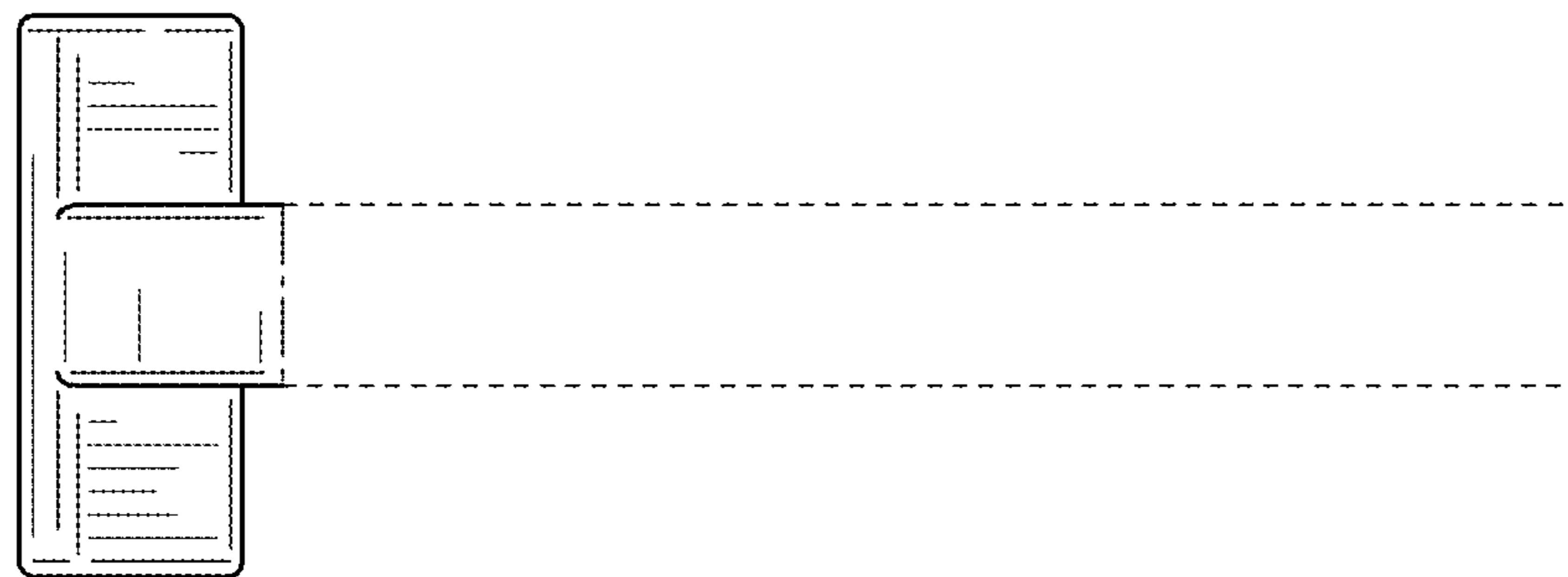


FIG. 4

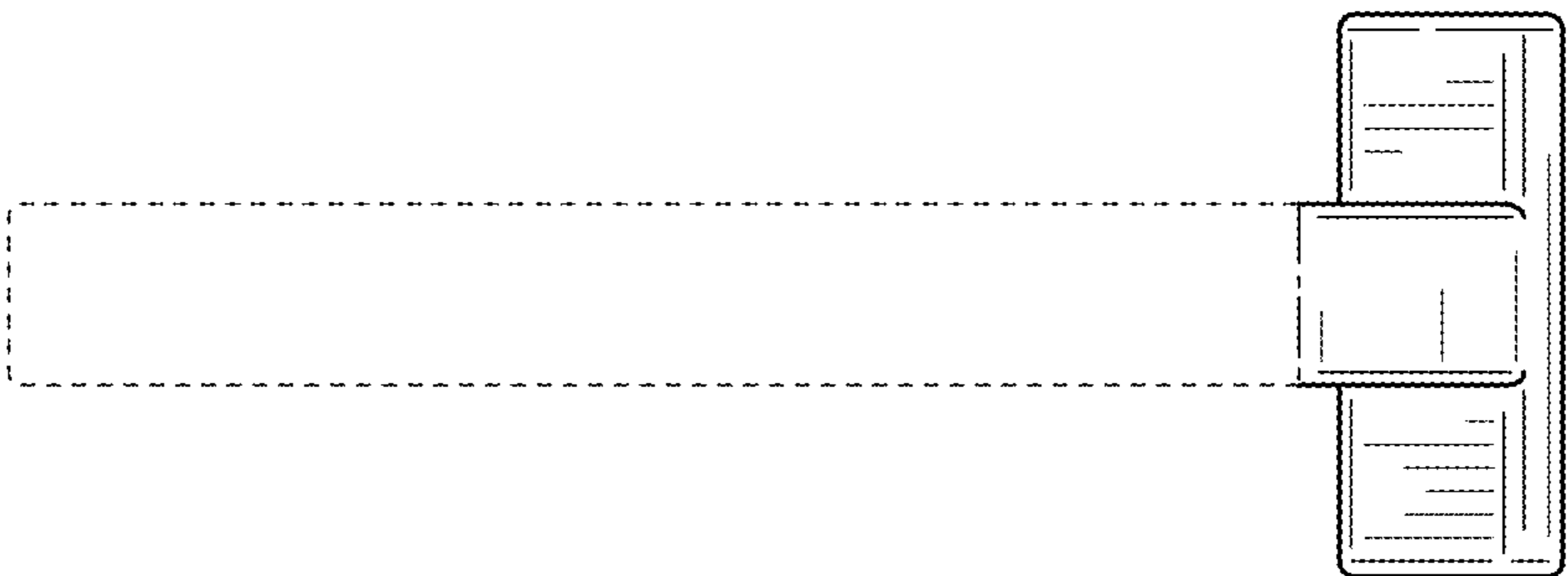


FIG. 5

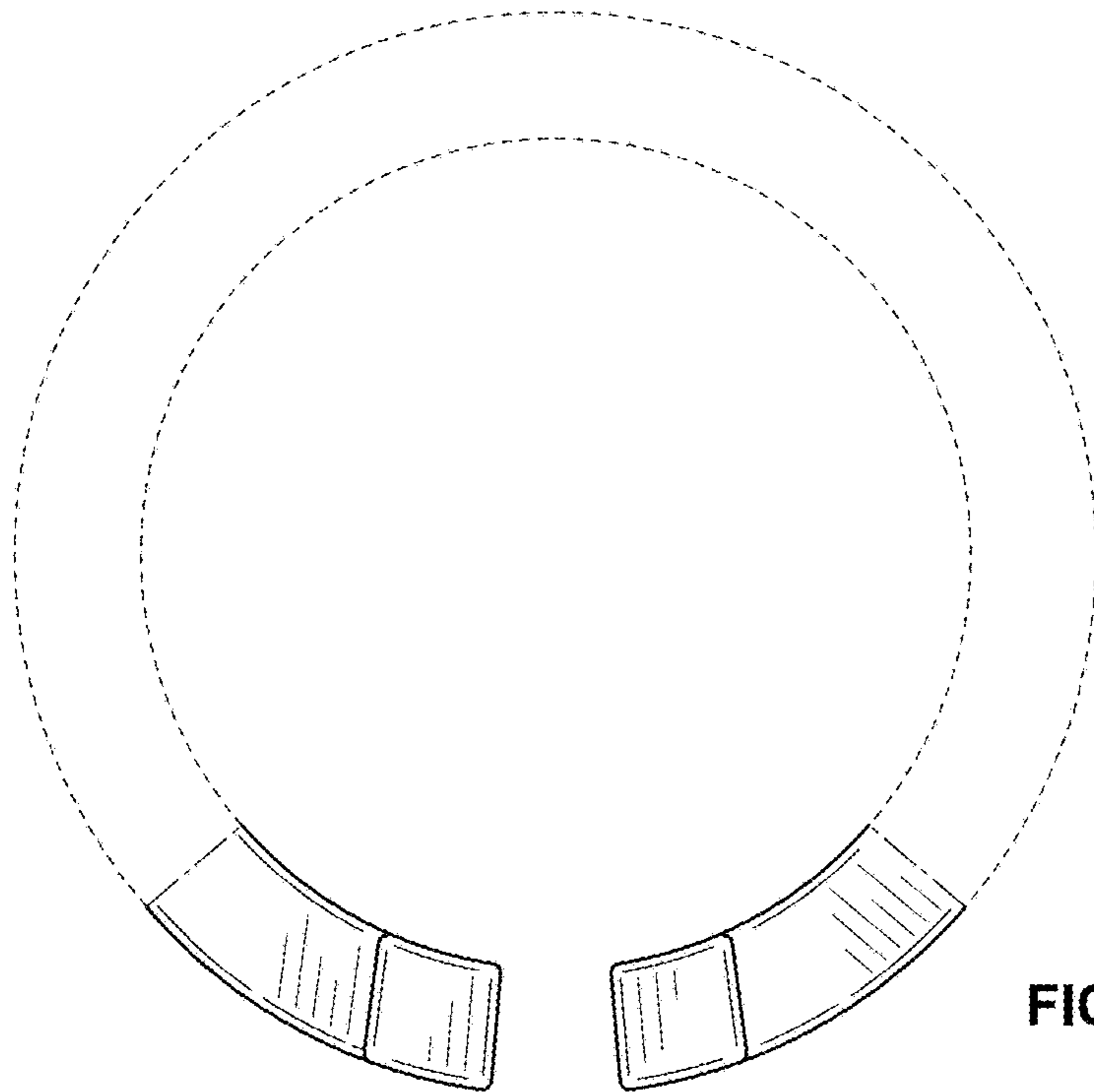


FIG. 6

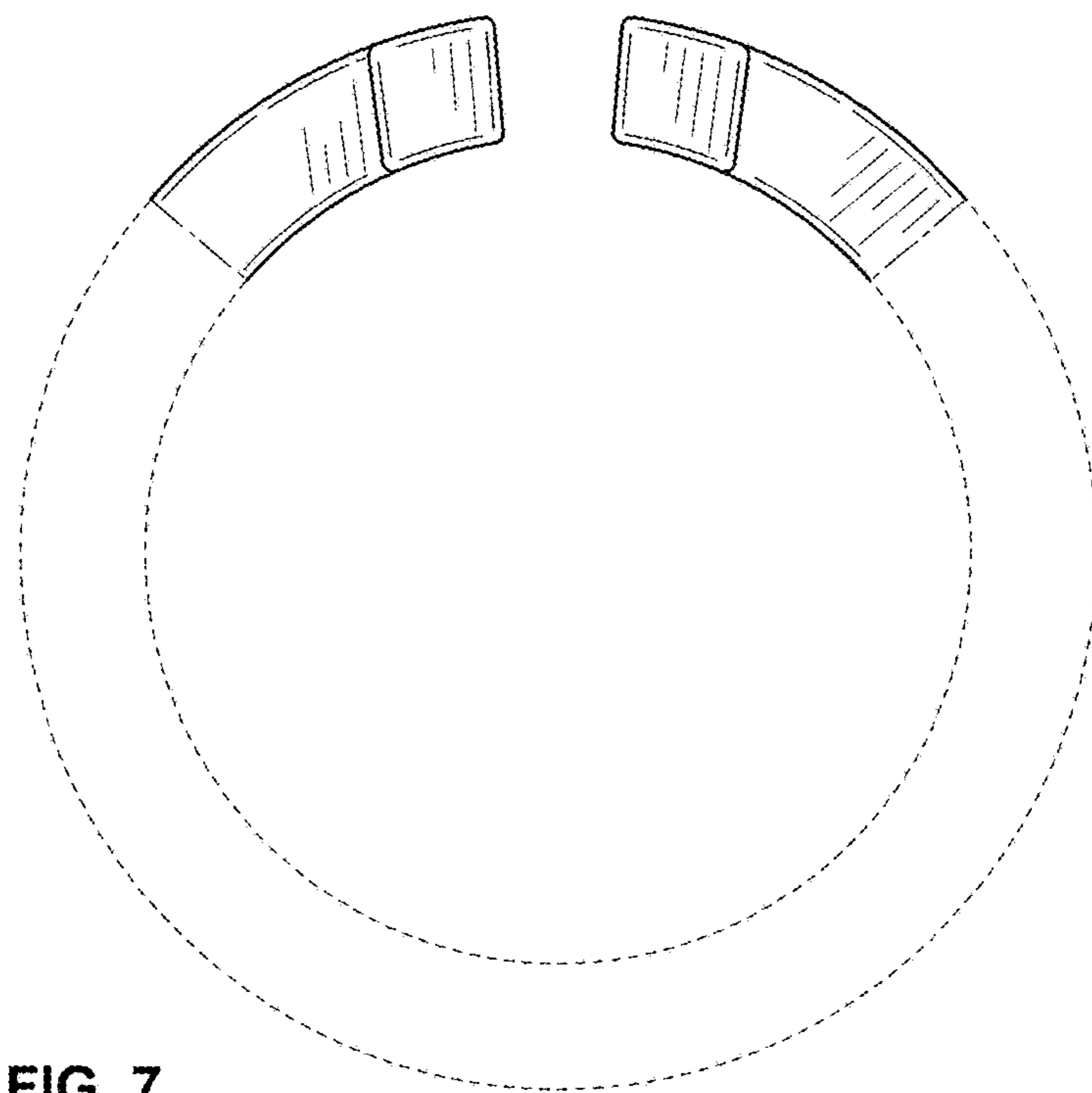


FIG. 7

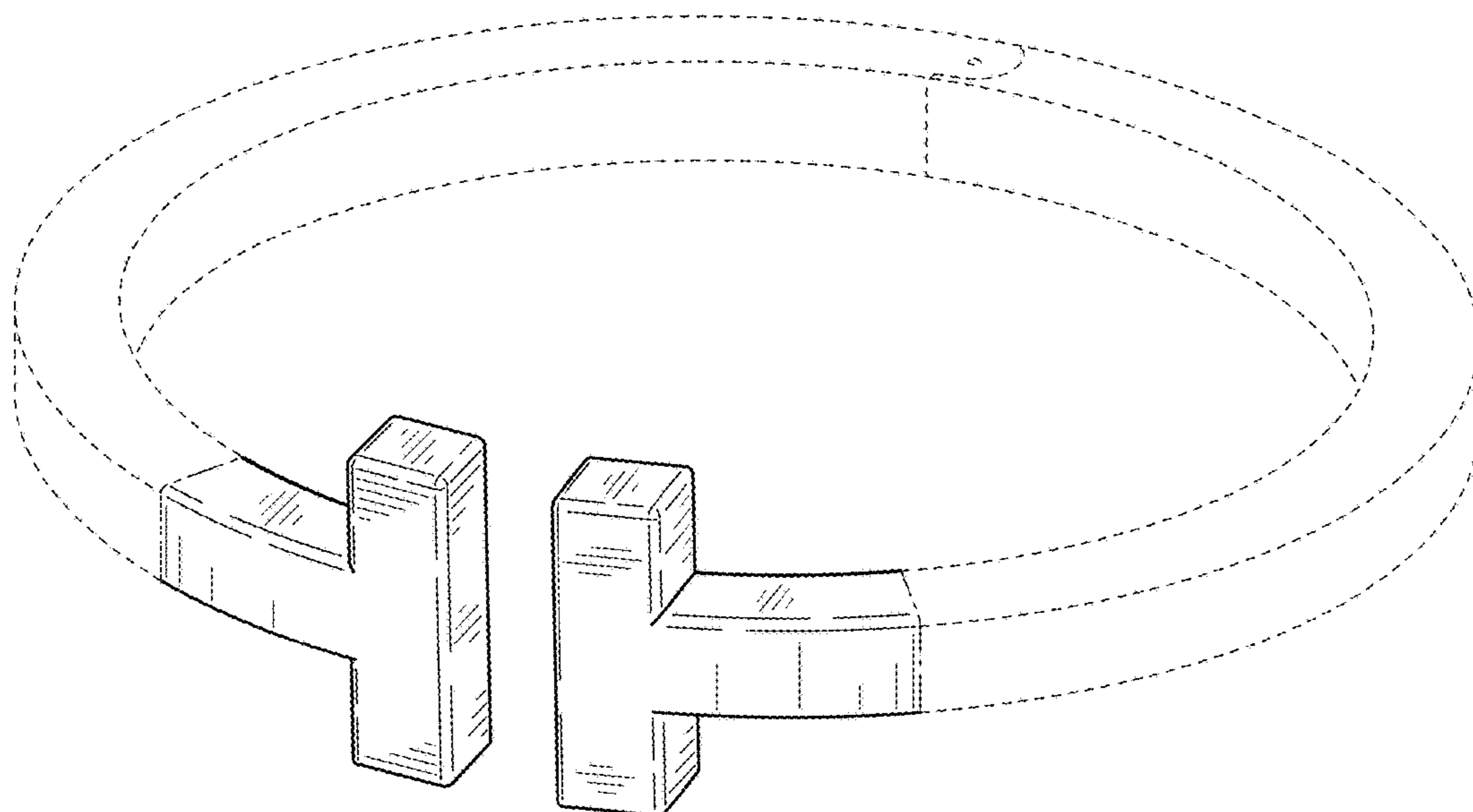


FIG. 8

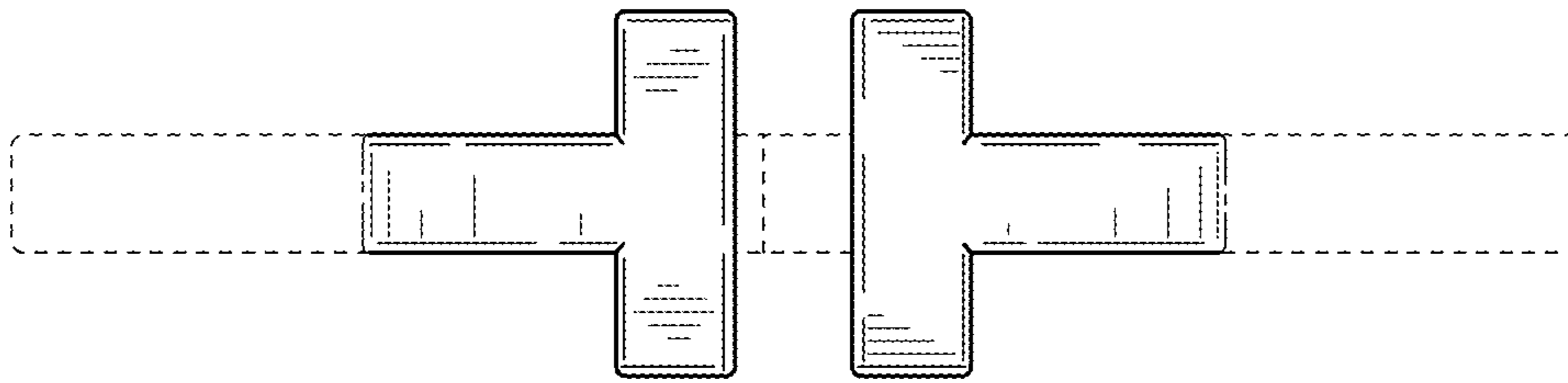


FIG. 9

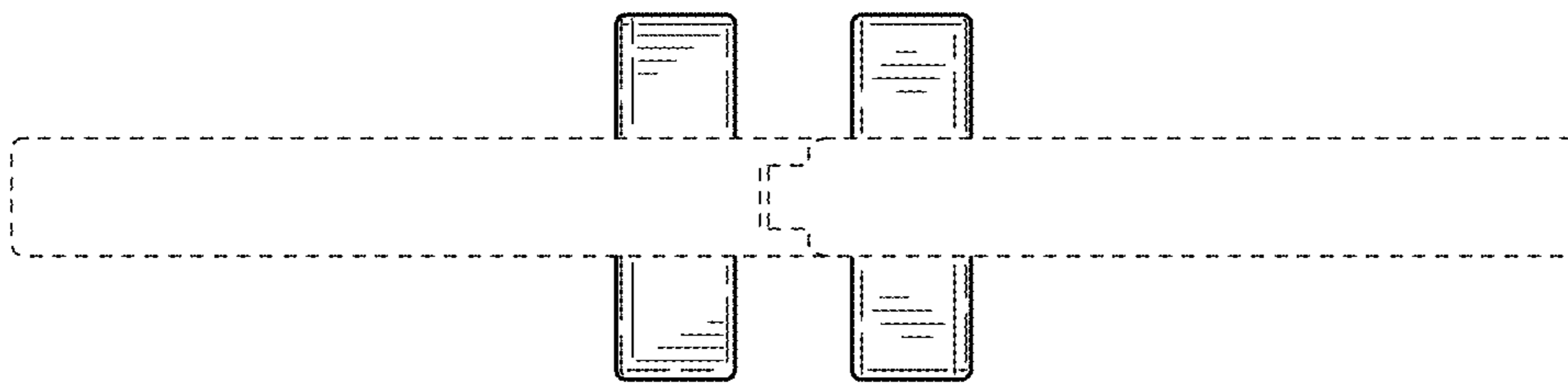


FIG. 10



FIG. 11

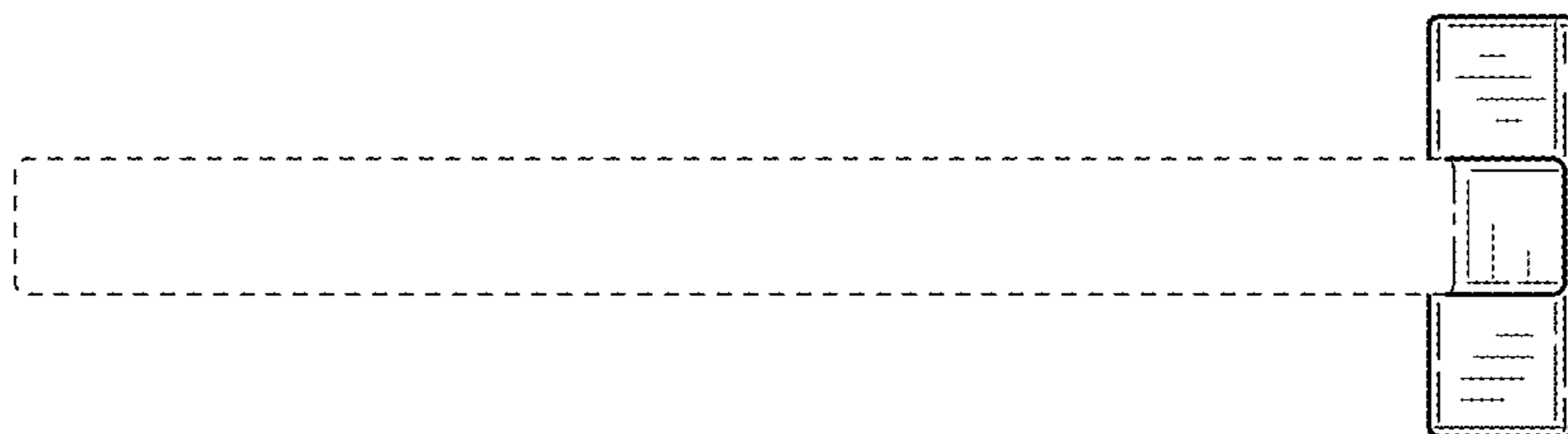


FIG. 12

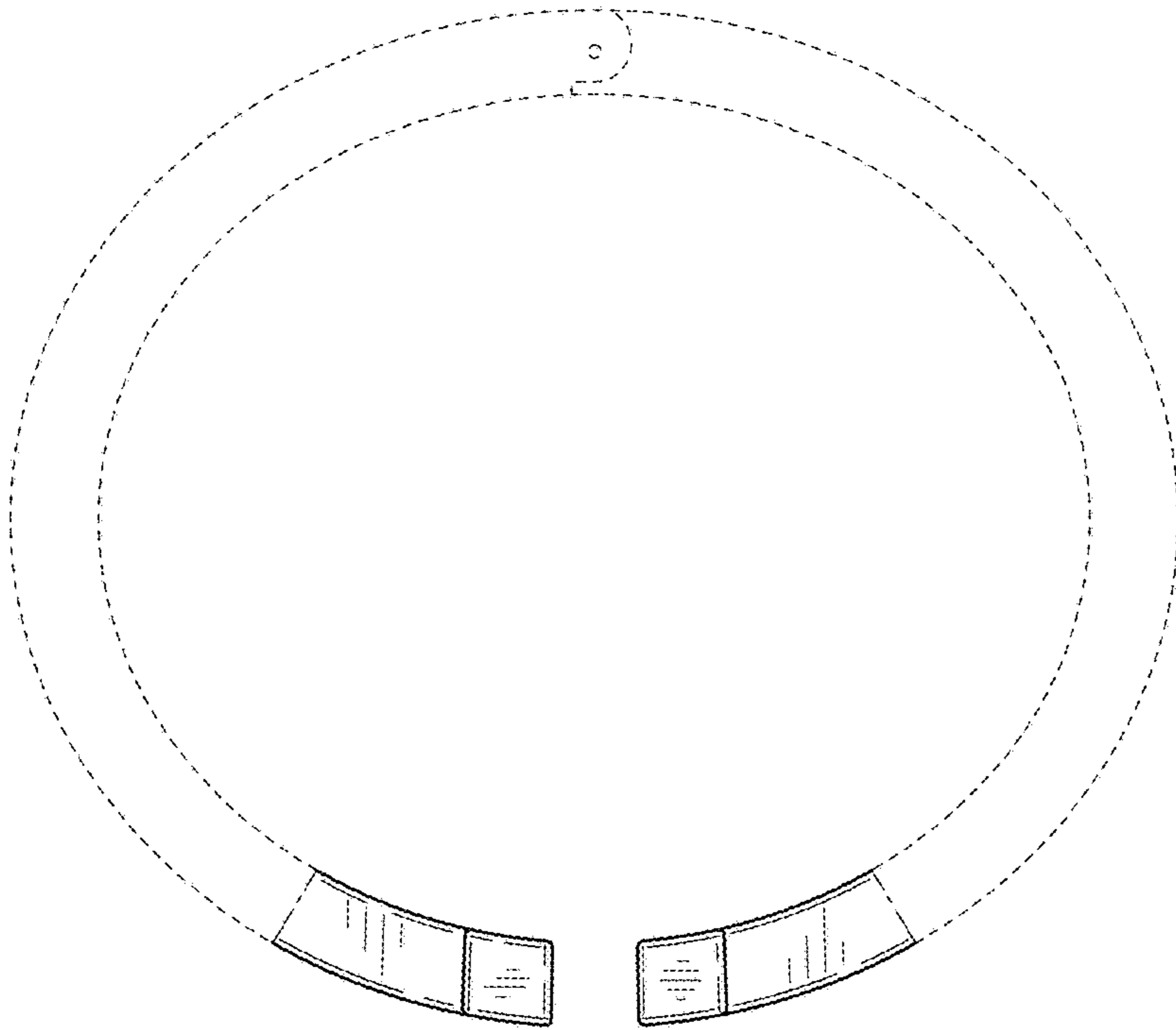


FIG. 13

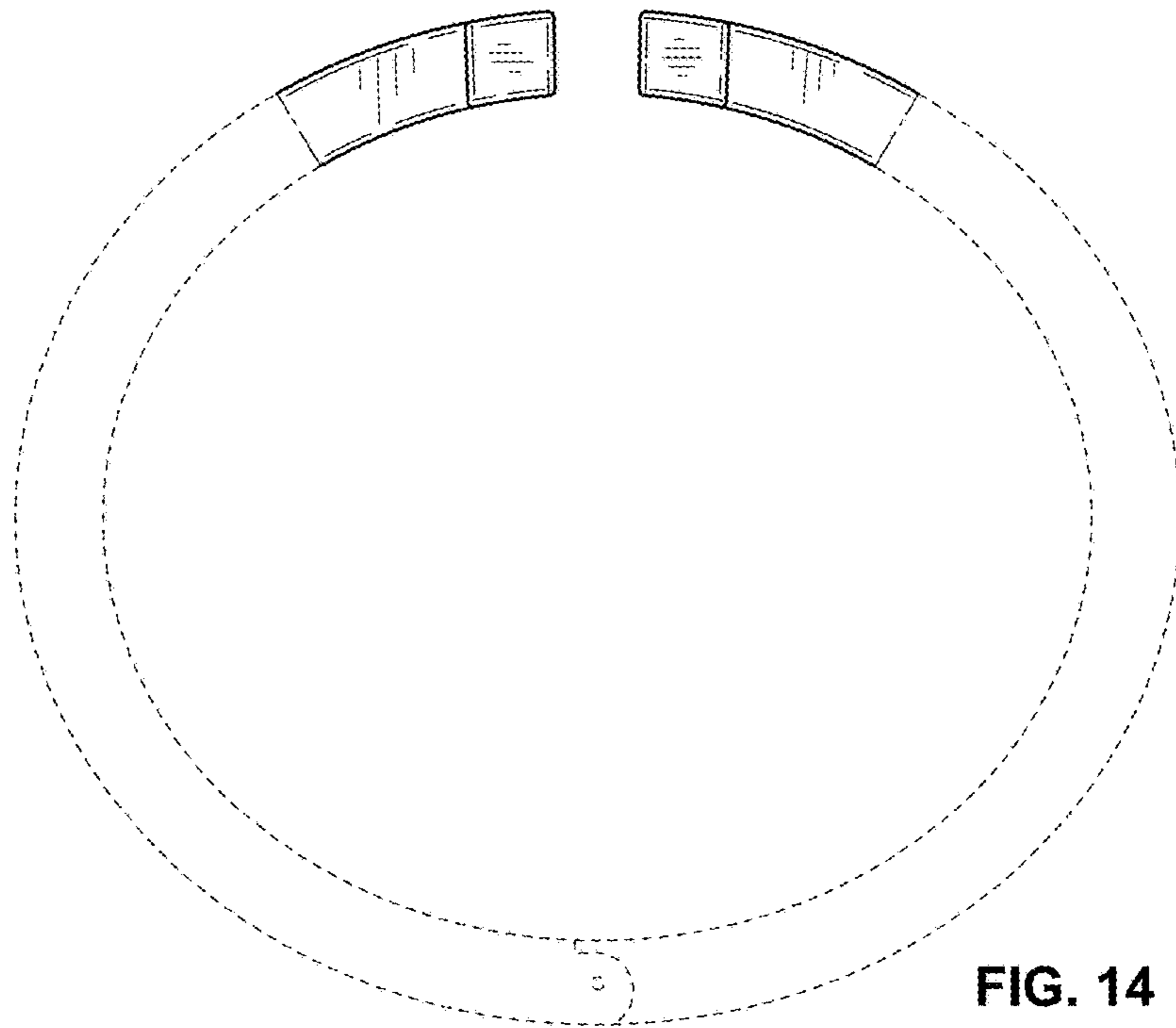


FIG. 14

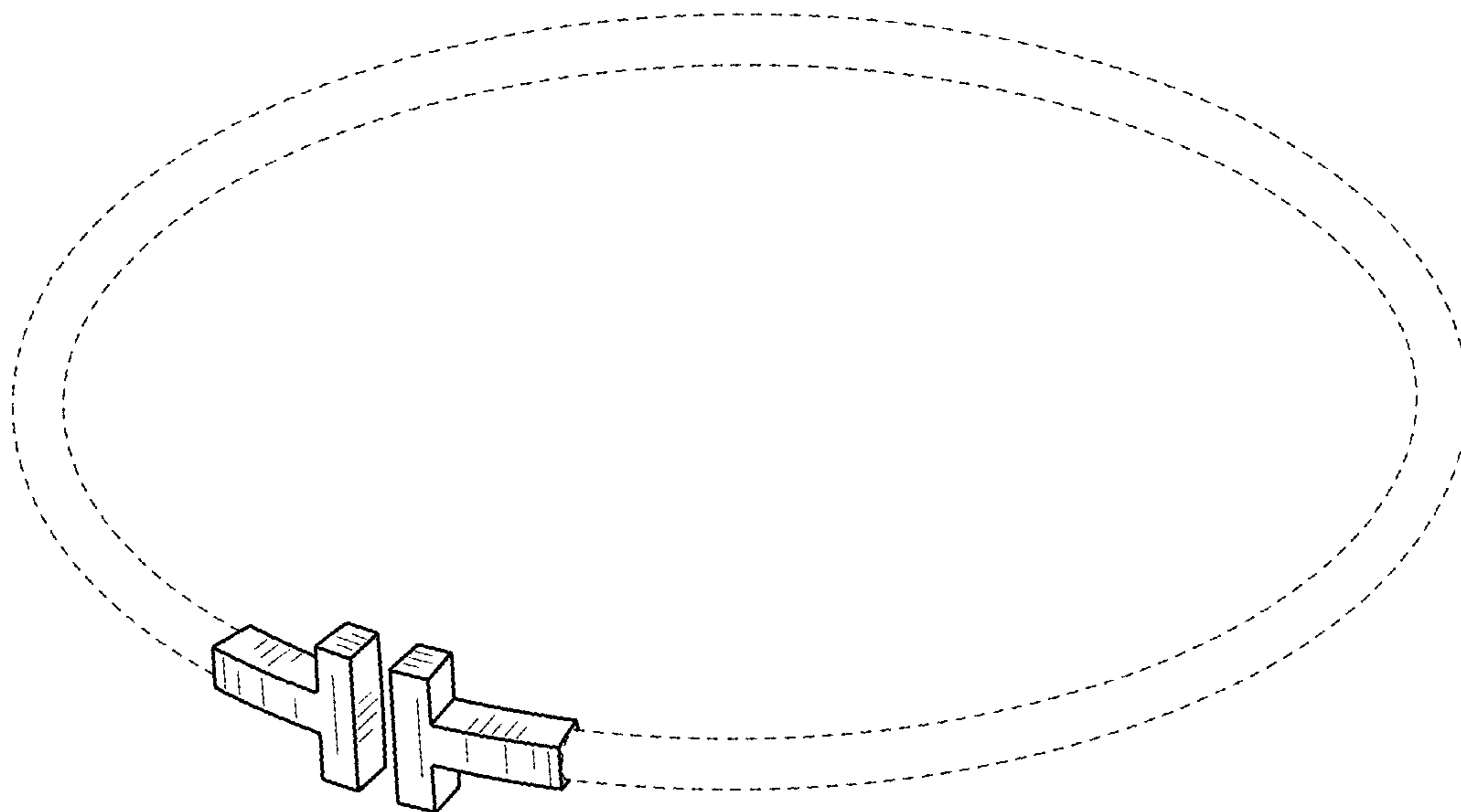


FIG. 15

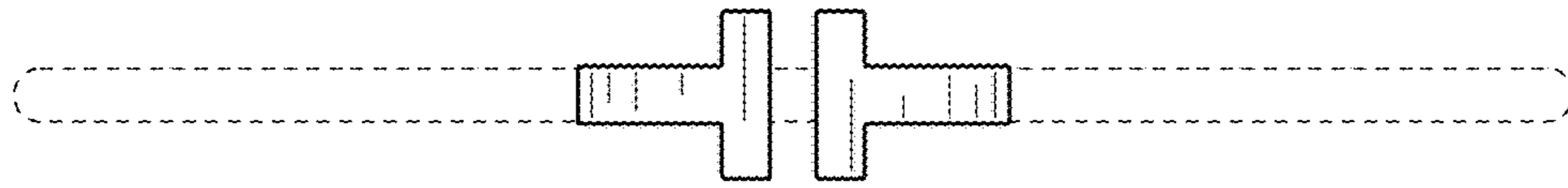


FIG. 16

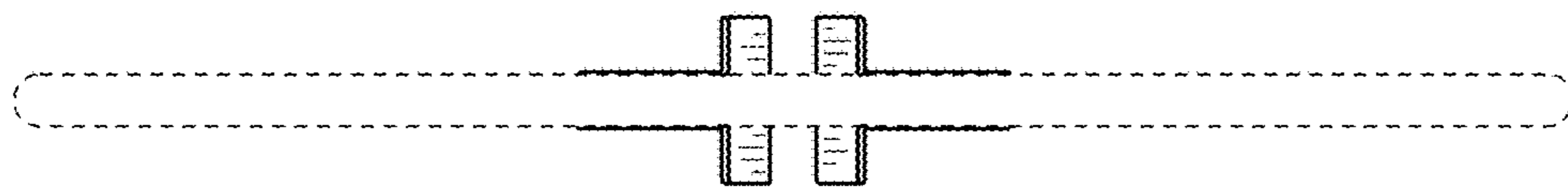


FIG. 17

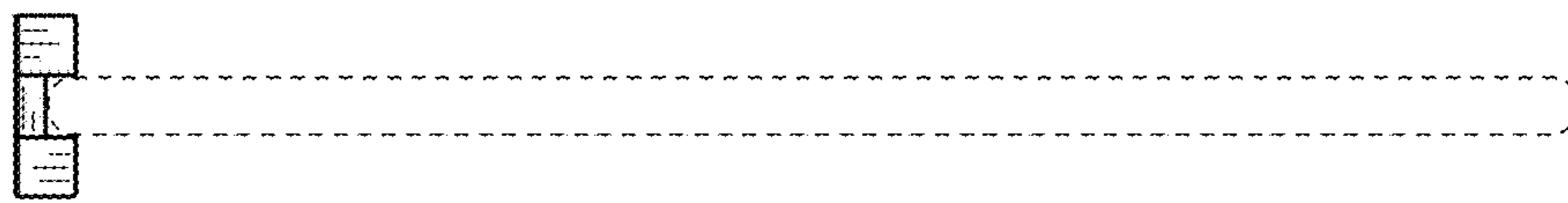


FIG. 18

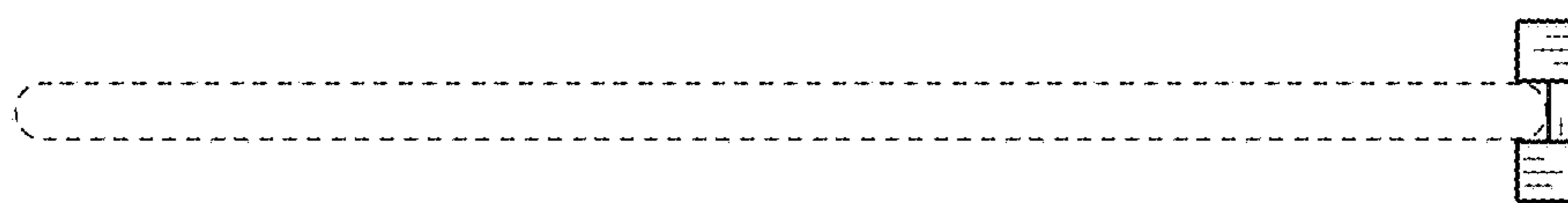


FIG. 19

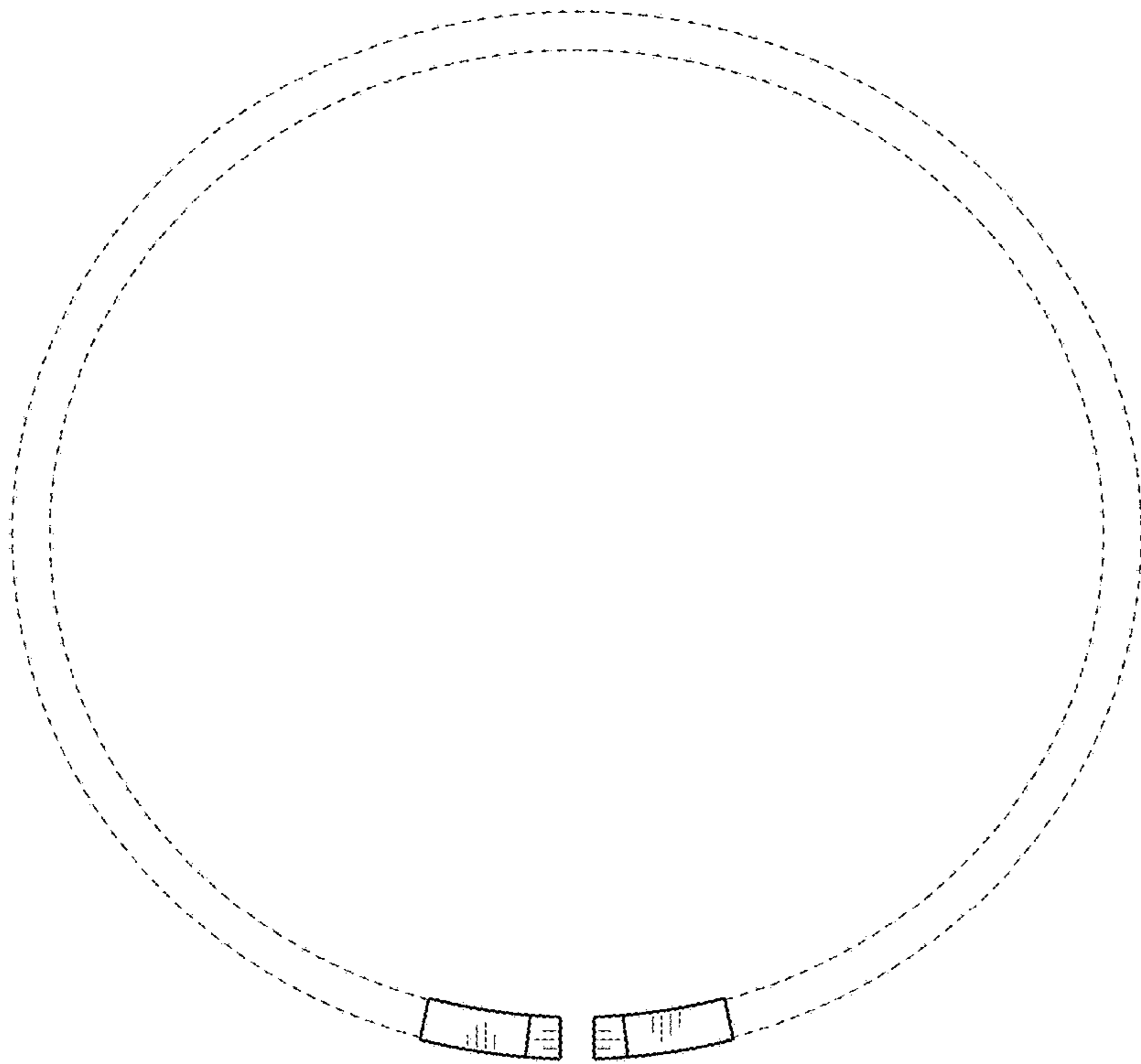


FIG. 20

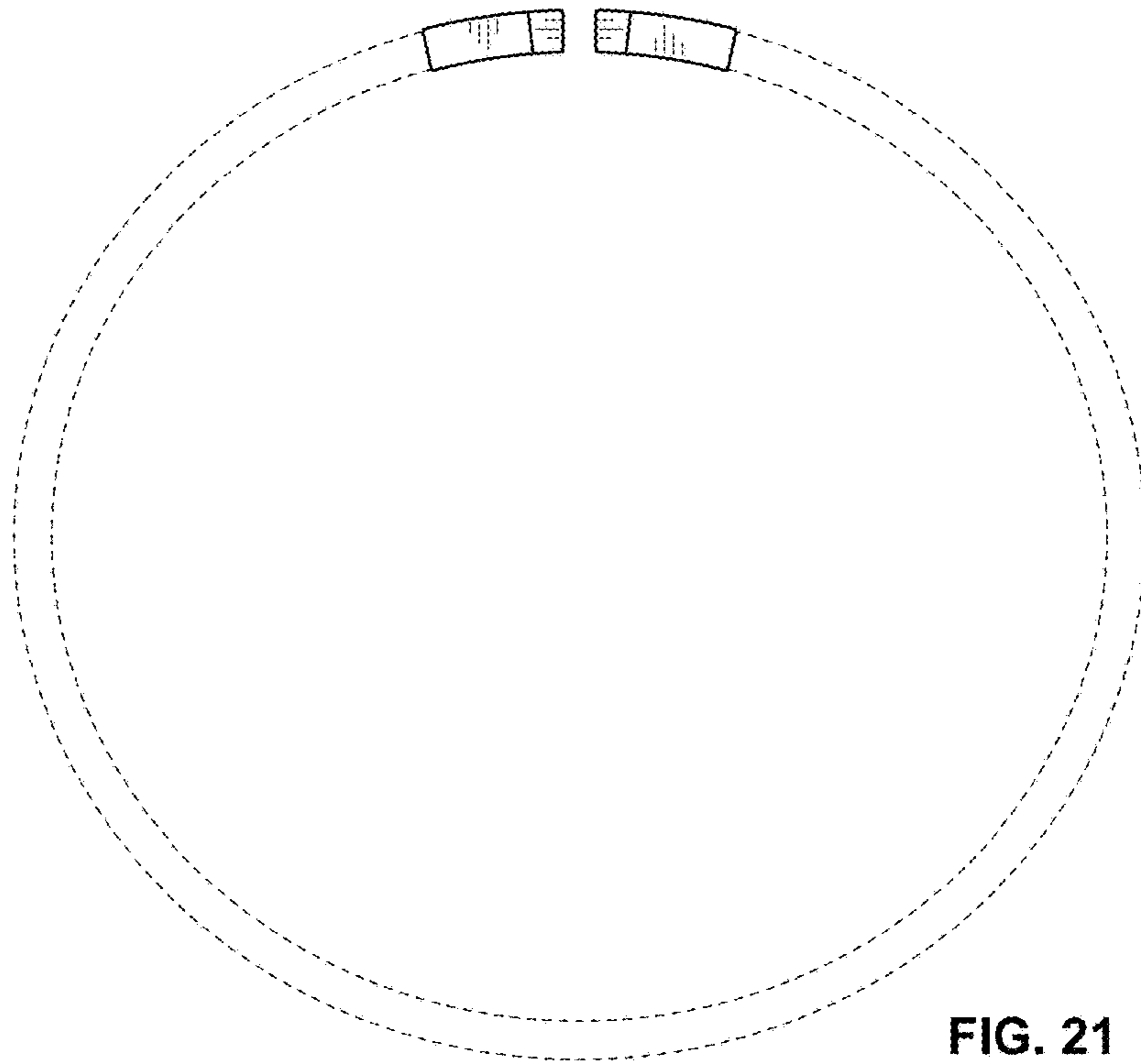


FIG. 21