



US00D78000S

(12) **United States Design Patent**
Taglia

(10) **Patent No.:** **US D780,000 S**

(45) **Date of Patent:** **** Feb. 28, 2017**

(54) **BRACELET**

(71) Applicant: **SWATCH LTD**, Biel/Bienne (CH)

(72) Inventor: **Margherita Taglia**, Zurich (CH)

(73) Assignee: **SWATCH LTD**, Biel/Bienne (CH)

(**) Term: **15 Years**

(21) Appl. No.: **29/538,232**

(22) Filed: **Sep. 2, 2015**

(30) **Foreign Application Priority Data**

Mar. 2, 2015 (WO) DM/085750

(51) **LOC (10) Cl.** **11-01**

(52) **U.S. Cl.**
USPC **D11/6**

(58) **Field of Classification Search**

USPC D11/1-26; D10/70, 98, 32, 38; D14/344

CPC A44C 5/00; A44C 5/0007; A44C 5/0015;

A44C 5/0023; A44C 5/003; A44C

5/0038; A44C 5/0053; A44C 5/0061;

A44C 5/0069; A44C 5/0076; A44C

5/0084; A44C 5/0092; A44C 5/20; A61B

5/02405

See application file for complete search history.

(56) **References Cited**

U.S. PATENT DOCUMENTS

D86,378 S * 3/1932 Kestenman D11/12
D142,879 S * 11/1945 Livingston D10/32

D164,343 S * 8/1951 Wishengrad D11/12
D314,710 S * 2/1991 Weil D10/32
D315,514 S * 3/1991 Weil D10/32
D316,050 S * 4/1991 Weil D10/32
D340,879 S * 11/1993 French D11/3
5,384,756 A * 1/1995 Pelosi A44C 25/00
368/10
D361,281 S * 8/1995 Roth D10/32
D455,083 S * 4/2002 Wieck D10/32
D578,900 S * 10/2008 Nisembaum D10/32
D679,213 S * 4/2013 Jamin D11/12

* cited by examiner

Primary Examiner — Melanie Pellegrini

(74) *Attorney, Agent, or Firm* — Donald J. Ranft; Collen IP

(57) **CLAIM**

The ornamental design for a bracelet, as shown.

DESCRIPTION

FIG. 1 is a front right perspective view of a bracelet showing my new design;

FIG. 2 is a rear left perspective view thereof;

FIG. 3 is a front view thereof;

FIG. 4 is a rear view thereof;

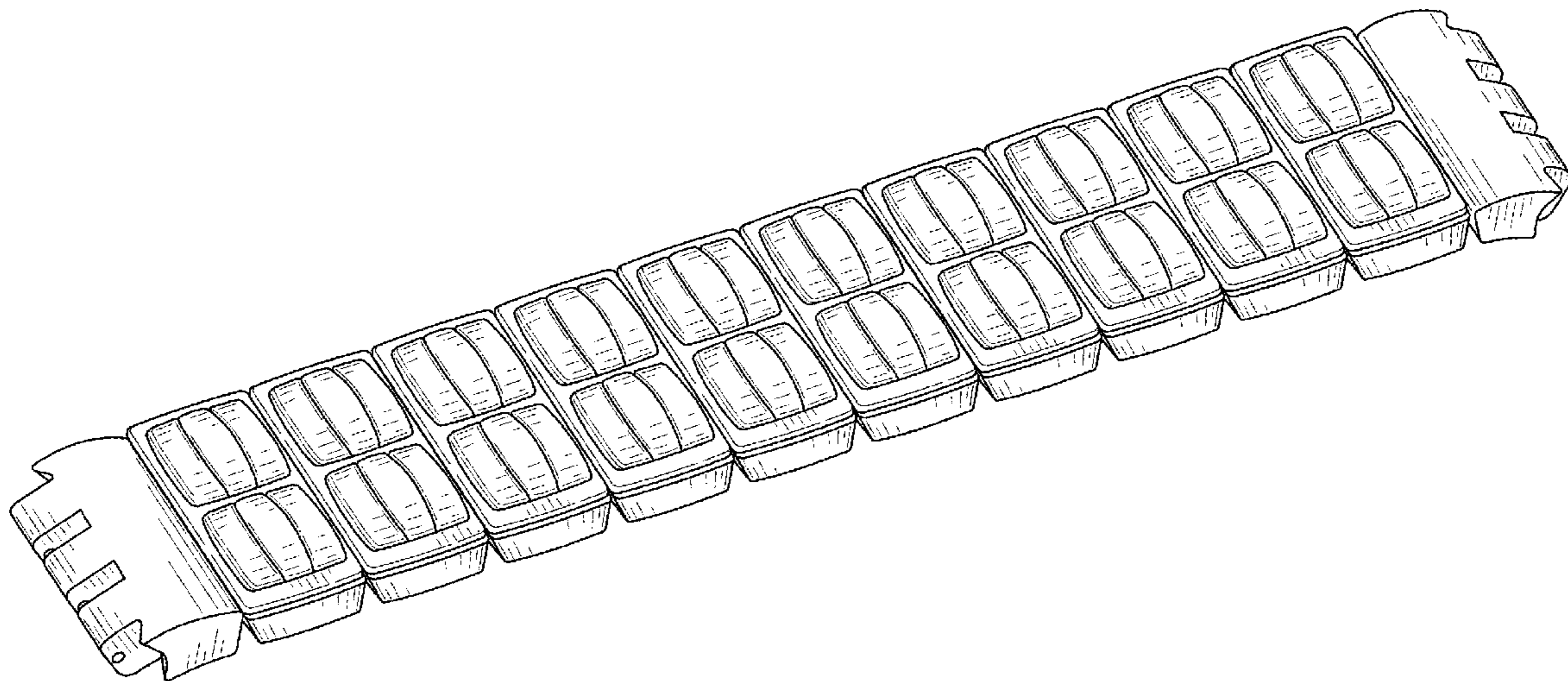
FIG. 5 is a left side view thereof;

FIG. 6 is a right side view thereof;

FIG. 7 is a top view thereof; and,

FIG. 8 is a bottom view thereof.

1 Claim, 4 Drawing Sheets



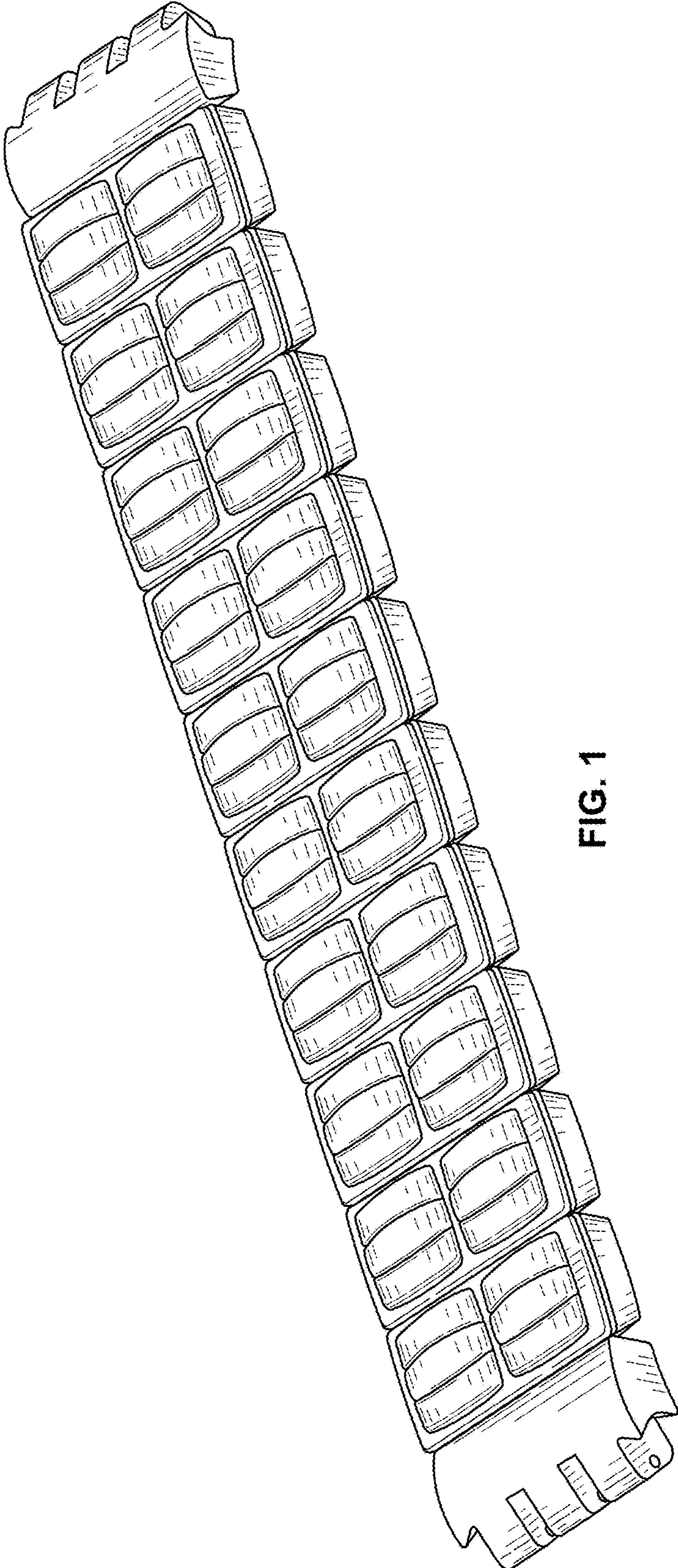


FIG. 1

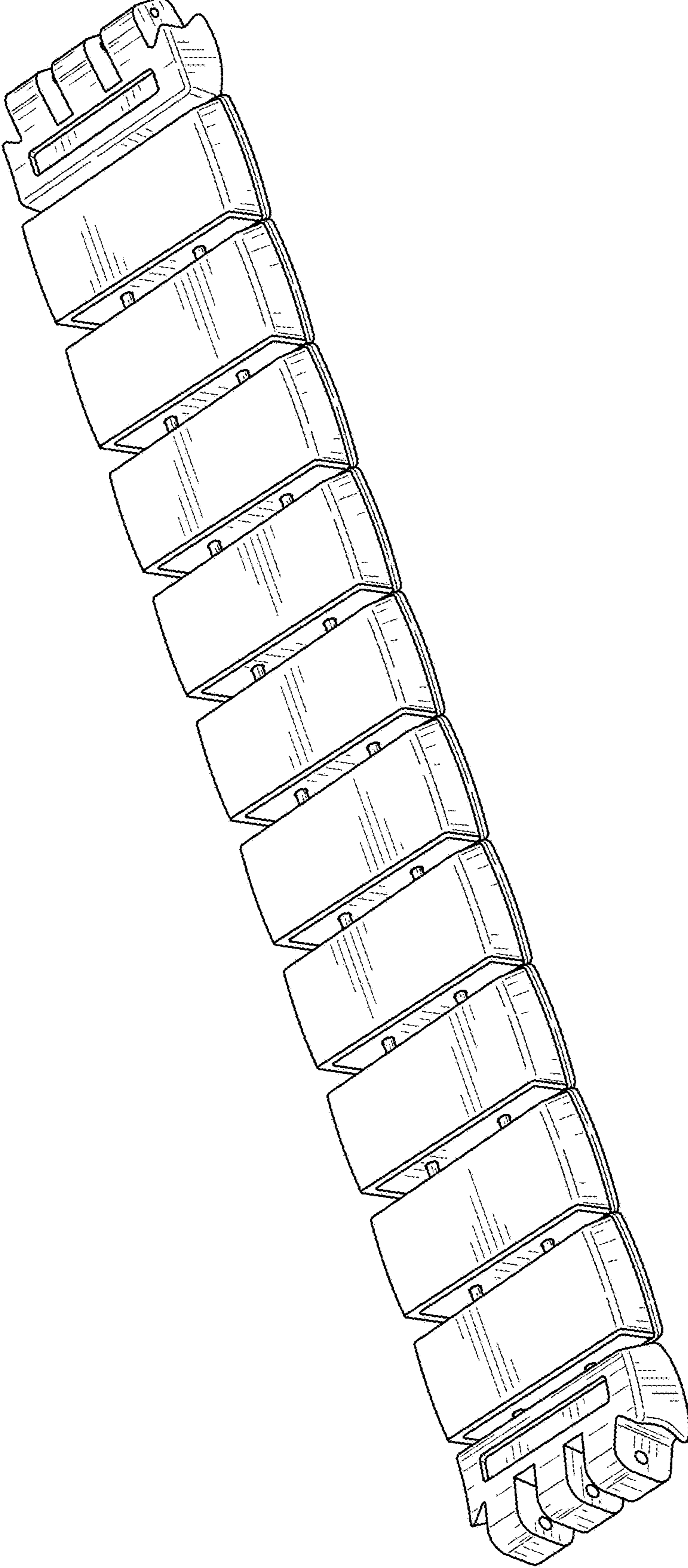


FIG. 2

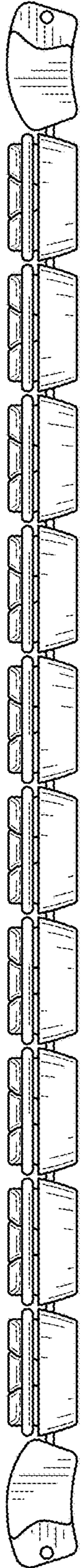


FIG. 3

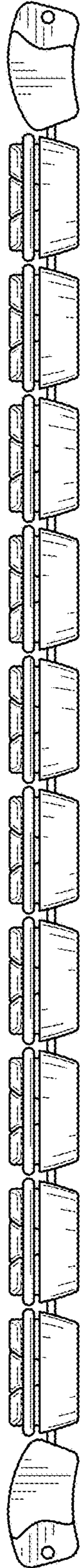


FIG. 4

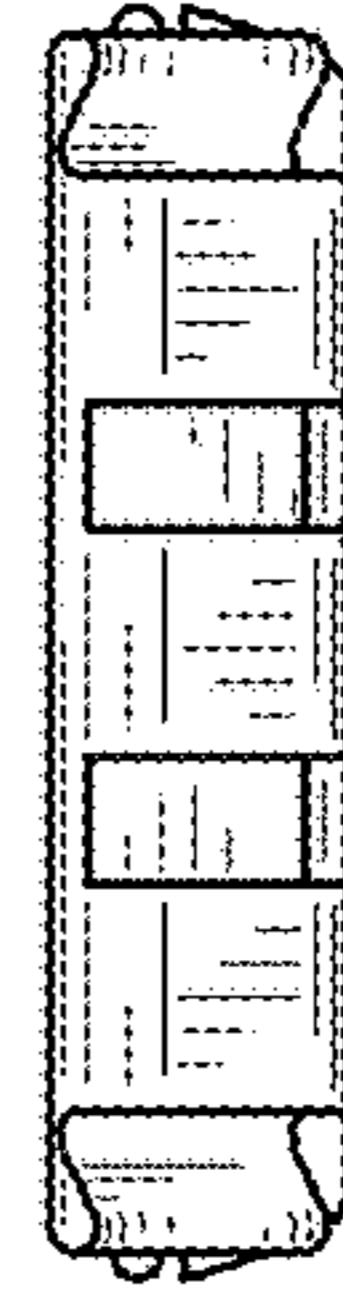


FIG. 6



FIG. 5

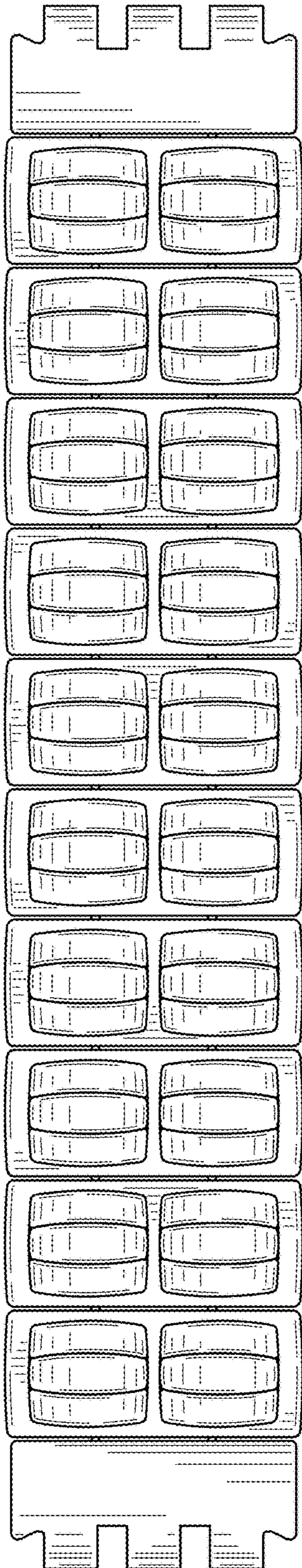


FIG. 7

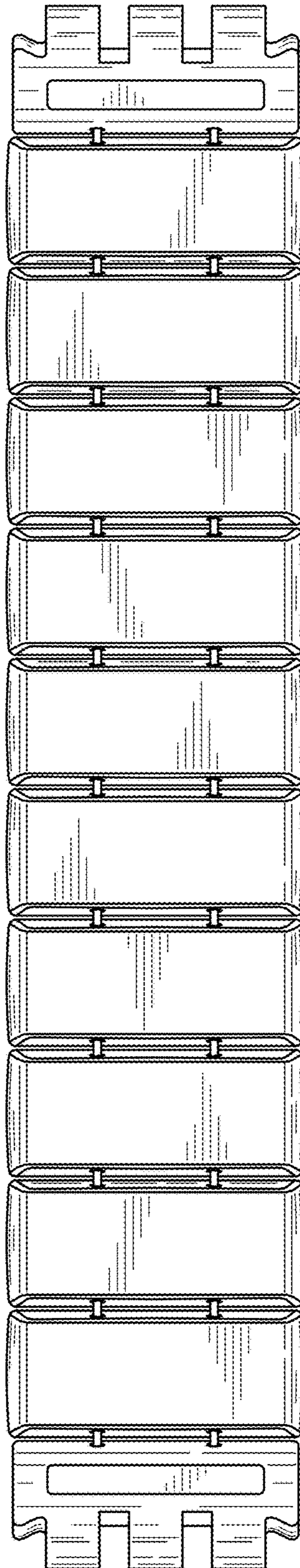


FIG. 8