



US00D779997S

(12) **United States Design Patent**
King

(10) **Patent No.:** **US D779,997 S**

(45) **Date of Patent:** **** Feb. 28, 2017**

- (54) **BRACELET**
- (71) Applicant: **ClearSite, LLC**, Bethel, CT (US)
- (72) Inventor: **Charles E. King**, Bethel, CT (US)
- (73) Assignee: **ClearSite, LLC**, Bethel, CT (US)
- (**) Term: **15 Years**
- (21) Appl. No.: **29/545,720**
- (22) Filed: **Nov. 16, 2015**
- (51) **LOC (10) Cl.** **11-01**
- (52) **U.S. Cl.**
USPC **D11/4**
- (58) **Field of Classification Search**
USPC D11/1-39; 63/1.11, 1.14, 1.15; D28/73,
D28/76, 91.1, 99, 4; D3/215, 203.1
CPC A44C 5/00; A44C 5/007; A44C 5/0015;
A44C 5/003; A44C 5/053; A44C 9/00;
A44C 9/0007; A44C 9/001; A44C
9/0023; A44C 9/003; A44C 9/0038; A44C
9/0046; A44C 9/0053; A44C 9/0061;
A44C 9/0069; A44C 9/0076; A44C
9/0092; A44C 15/00; A44C 15/0015;
A44C 15/002; A44C 15/003
See application file for complete search history.

(56) **References Cited**
U.S. PATENT DOCUMENTS

- 1,975,507 A * 10/1934 Hackel A44C 5/003
132/297
- 3,559,854 A * 2/1971 Loveland A44C 5/003
132/294

- 4,989,420 A * 2/1991 Reinhold A44C 9/0069
221/185
- D331,724 S * 12/1992 Klein D11/26
- 5,412,956 A * 5/1995 Levy A44C 9/02
63/15.65
- D488,086 S * 4/2004 Schubach D11/26
- D495,616 S * 9/2004 Fountoulakis D11/26
- 7,347,066 B1 * 3/2008 Feuer A44C 9/0046
63/1.16
- 8,875,892 B1 * 11/2014 Warner A44C 5/003
206/533
- 2013/0104599 A1 * 5/2013 Beldiman B65D 83/0805
63/1.14
- 2014/0123702 A1 * 5/2014 Pierce A44C 15/00
63/40

* cited by examiner

Primary Examiner — Melanie Pellegrini

(74) *Attorney, Agent, or Firm* — Carson C. K. Fincham;
Fincham Downs, LLC

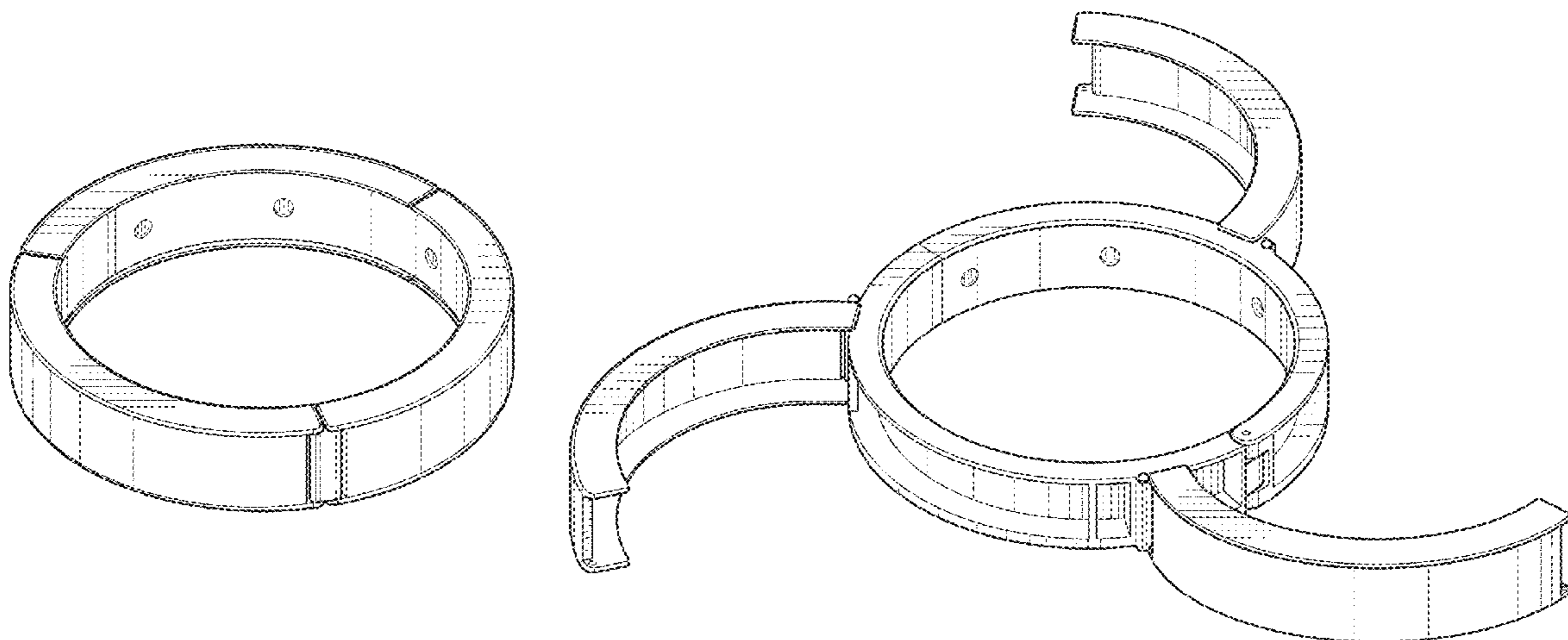
(57) **CLAIM**

The ornamental design for a bracelet, as shown and described.

DESCRIPTION

FIG. 1 is a top right side perspective view of a bracelet according to the new design, shown in a closed position; FIG. 2 is a top right side perspective view thereof, shown in an open position; FIG. 3 is a top view of FIG. 1; FIG. 4 is a bottom view of FIG. 1; FIG. 5 is a left side view of FIG. 1; FIG. 6 is a right side view of FIG. 1; FIG. 7 is a rear view of FIG. 1; and, FIG. 8 is a front view of FIG. 1.

1 Claim, 4 Drawing Sheets



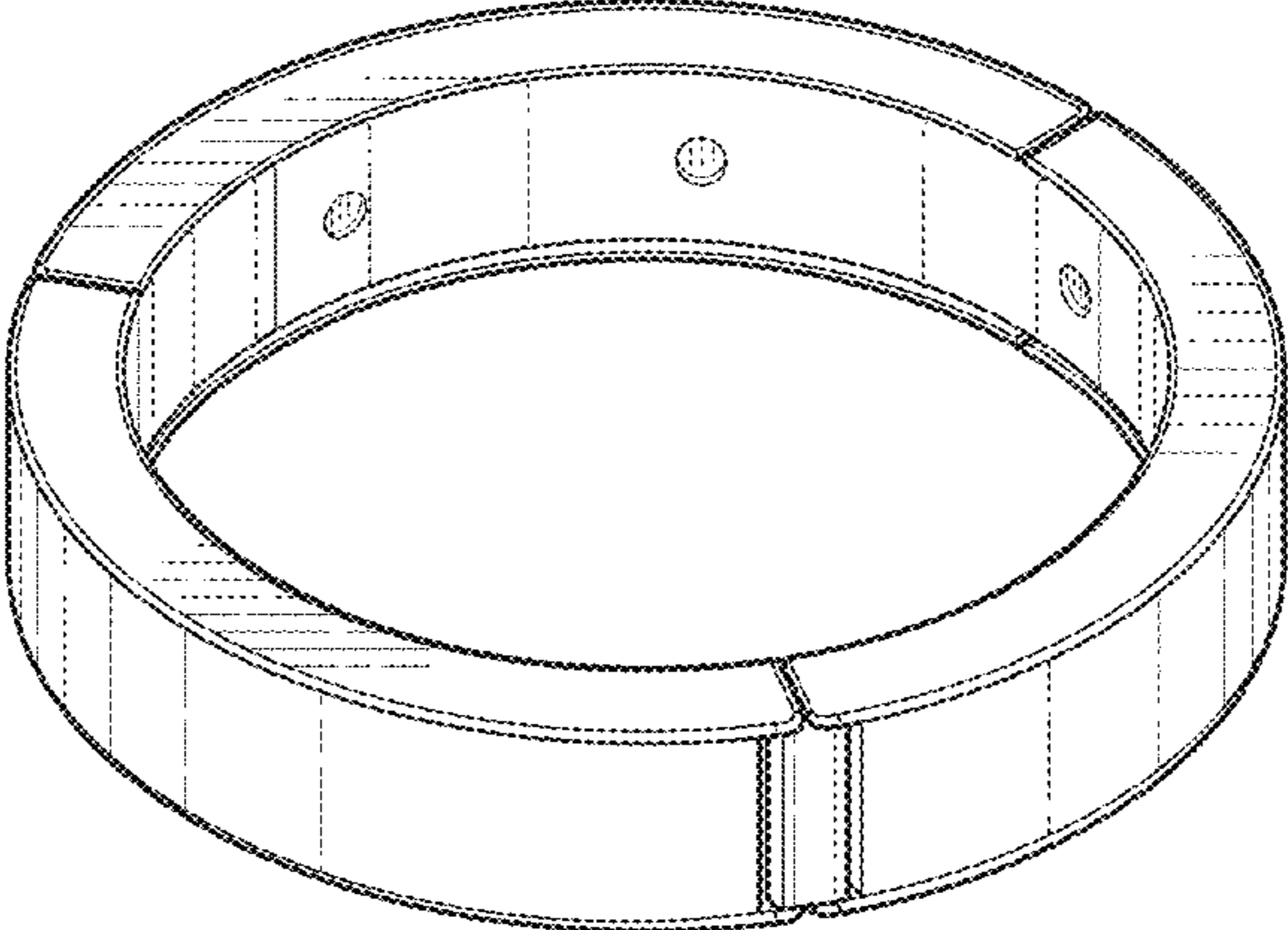


FIG. 1

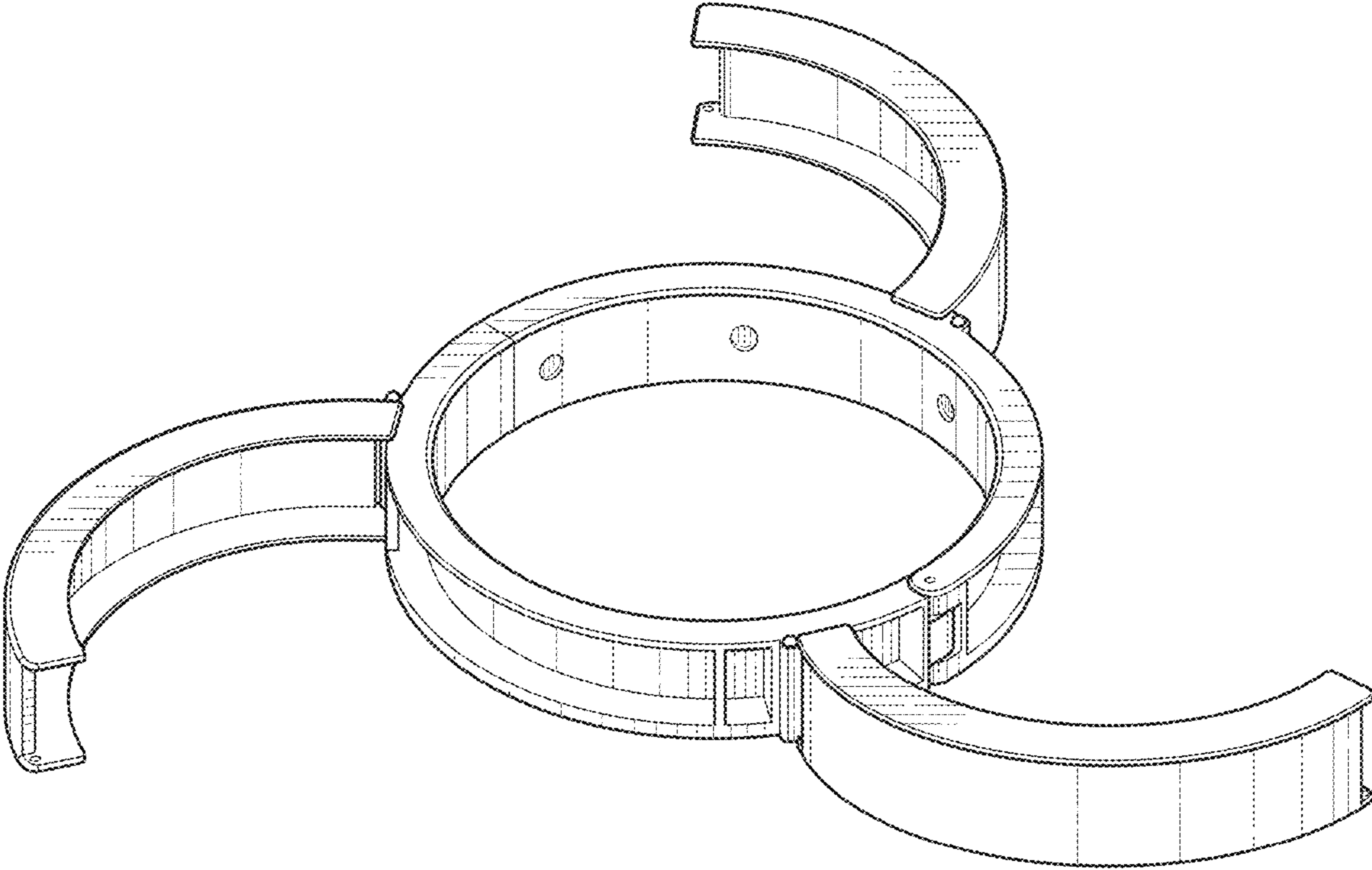


FIG. 2

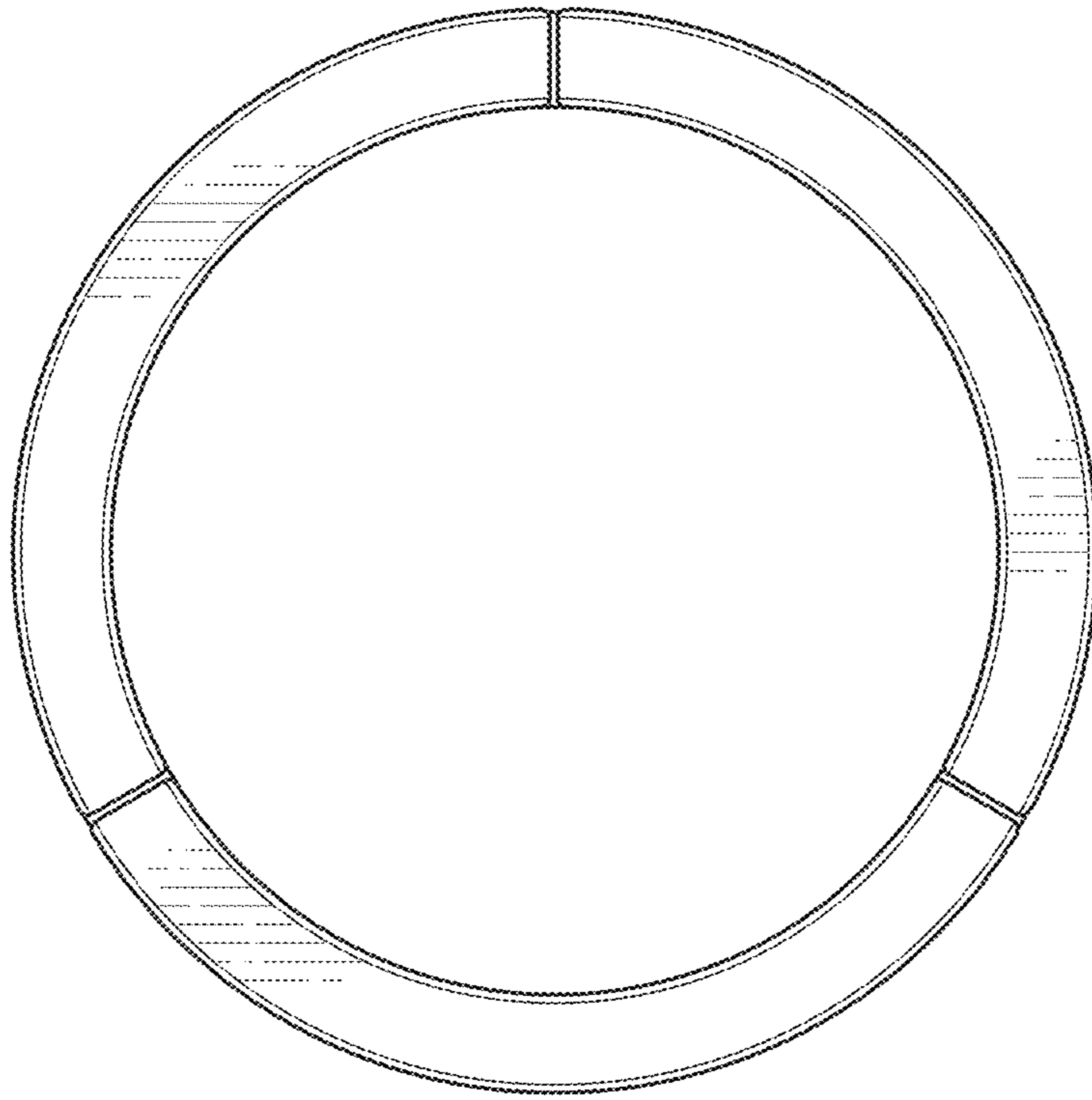


FIG. 3

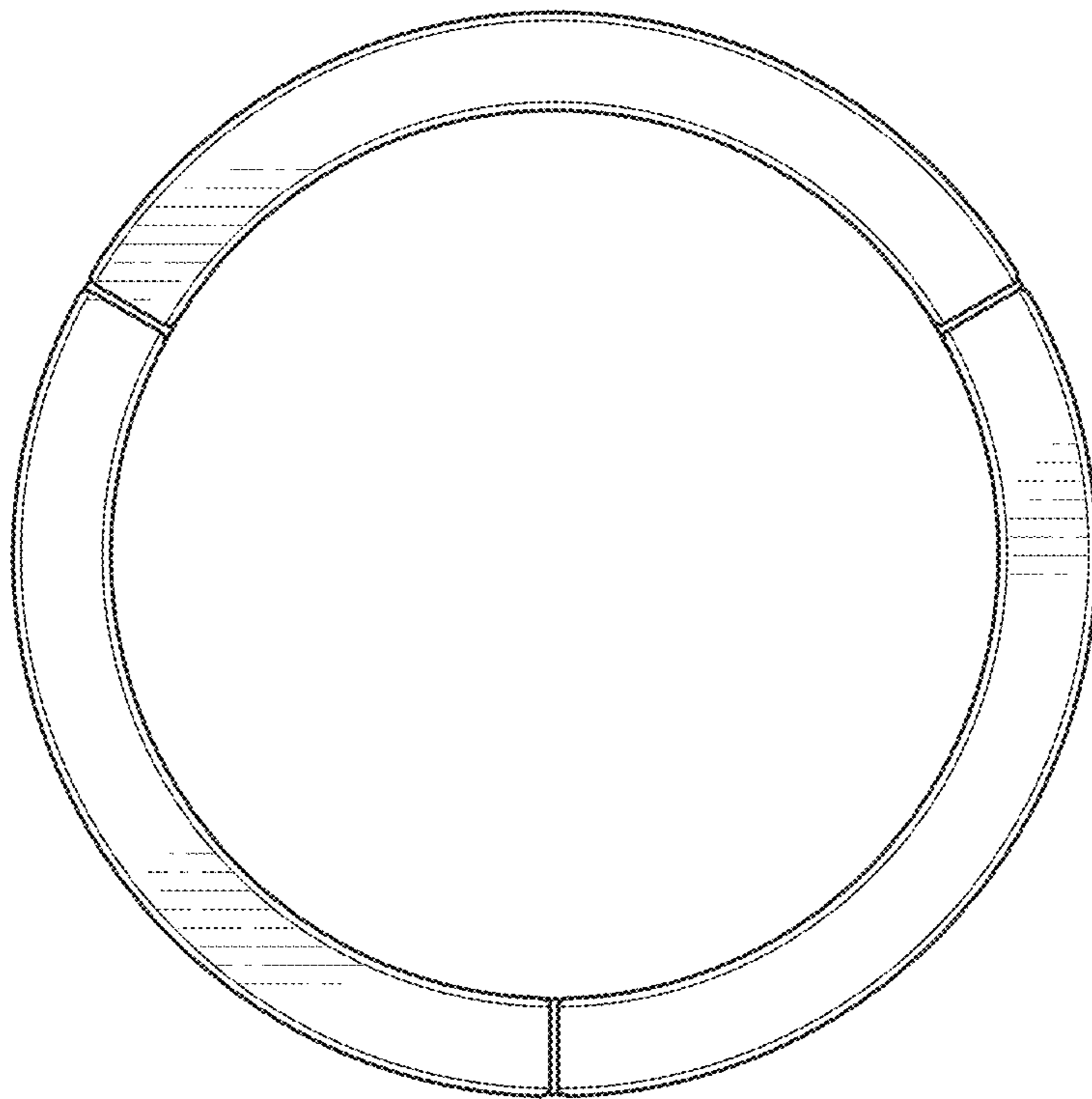


FIG. 4

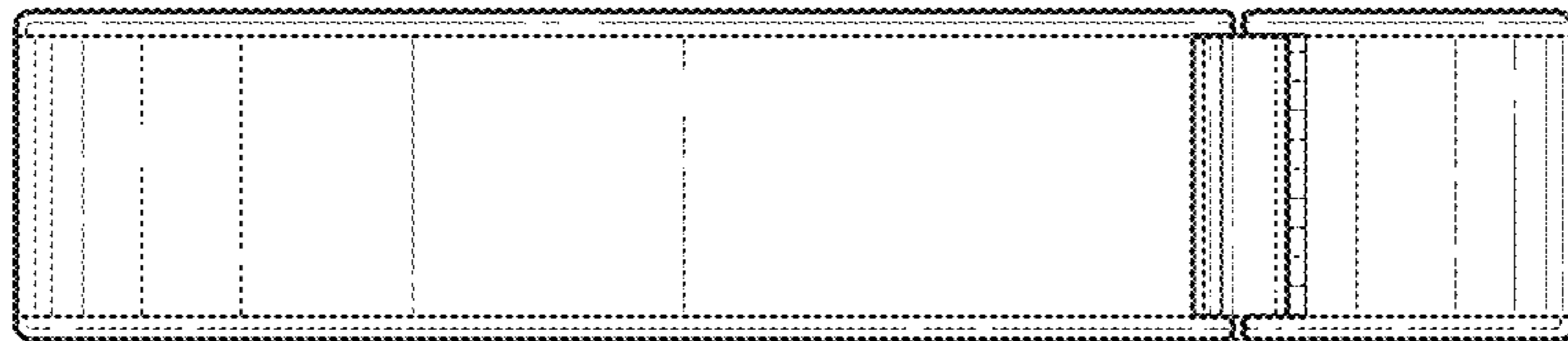


FIG. 5

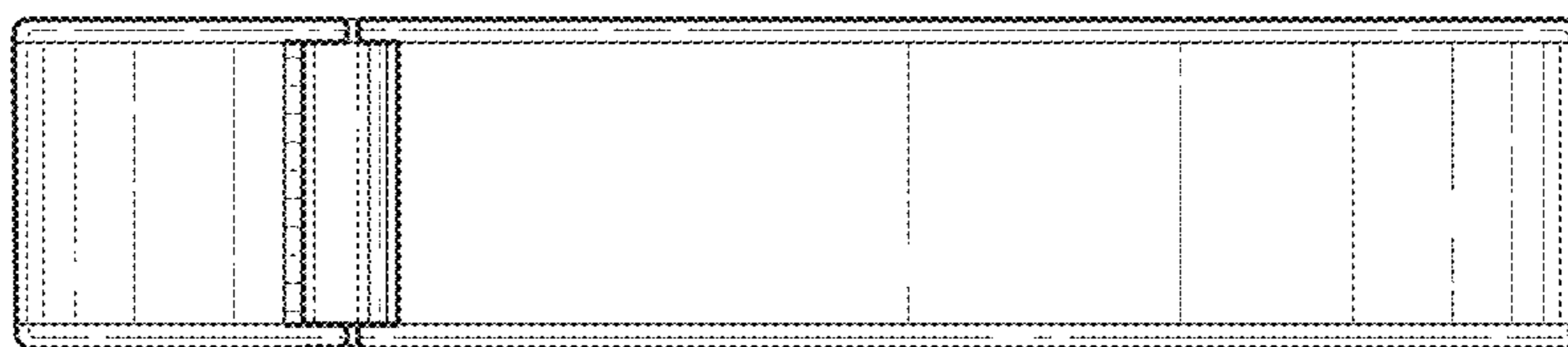


FIG. 6



FIG. 7

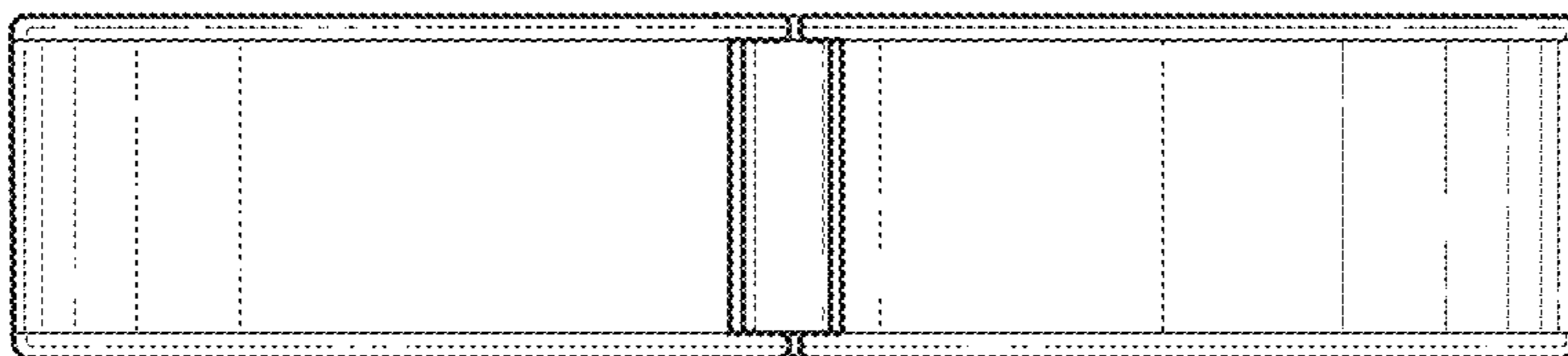


FIG. 8