

US00D779989S

(12) **United States Design Patent**  
**Lee**

(10) **Patent No.:** **US D779,989 S**  
(45) **Date of Patent:** **\*\* Feb. 28, 2017**

- (54) **WRISTBAND**
- (71) Applicant: **HON HAI PRECISION INDUSTRY CO., LTD.**, New Taipei (TW)
- (72) Inventor: **Chueh Lee**, New Taipei (TW)
- (73) Assignee: **HON HAI PRECISION INDUSTRY CO., LTD.**, New Taipei (TW)
- (\*\*) Term: **14 Years**
- (21) Appl. No.: **29/507,463**
- (22) Filed: **Oct. 28, 2014**

8,370,549	B2 *	2/2013	Burton	.....	A63B 24/00
					703/1
D715,668	S *	10/2014	Roush	.....	D10/70
D718,647	S *	12/2014	Roush	.....	D10/70
D720,074	S *	12/2014	Suvilaakso	.....	D24/167
D720,249	S *	12/2014	Park	.....	D11/3
D720,635	S *	1/2015	Park	.....	D10/70
D724,453	S *	3/2015	Ogihara	.....	D10/70
D727,183	S *	4/2015	Park	.....	D10/70
D727,759	S *	4/2015	Martinez	.....	D10/70
D729,248	S *	5/2015	Porter	.....	D14/434
D735,068	S *	7/2015	Garcia Pla	.....	D11/3
D735,587	S *	8/2015	Squires	.....	D10/32
D737,699	S *	9/2015	Chang	.....	D10/39
D740,702	S *	10/2015	Behar	.....	D10/39
D740,703	S *	10/2015	Behar	.....	D10/39
D742,875	S *	11/2015	Ji	.....	D10/32

(Continued)

(30) **Foreign Application Priority Data**

- Sep. 19, 2014 (TW) ..... 103305562
- (51) **LOC (10) Cl.** ..... **11-01**
- (52) **U.S. Cl.**  
USPC ..... **D11/3; D14/344; D24/167; D10/70**
- (58) **Field of Classification Search**  
USPC .... **D11/1-26; D10/70, 98, 32, 38; D24/167, D24/200; D14/344; D3/203.1, 215, 218, D3/201**  
CPC ..... **A44C 5/00; A44C 5/0007; A44C 5/0015; A44C 5/0023; A44C 5/003; A44C 5/0038; A44C 5/0053; A44C 5/0061; A44C 5/0069; A44C 5/0076; A44C 5/0084; A44C 5/0092; A44C 5/20; A61B 5/02405**  
See application file for complete search history.

(56) **References Cited**

**U.S. PATENT DOCUMENTS**

D141,753	S *	7/1945	Du Bois	.....	D11/3
D535,205	S *	1/2007	Frederick	.....	D10/104.1
D656,856	S *	4/2012	Kleinberg	.....	D11/3

**OTHER PUBLICATIONS**

[Online] <https://timedotcom.files.wordpress.com/2014/01/fitbit.jpg?quality=75&strip=color&w=750>. Retrieved May 25, 2016.\*

(Continued)

*Primary Examiner* — Melanie Pellegrini  
(74) *Attorney, Agent, or Firm* — Zhigang Ma

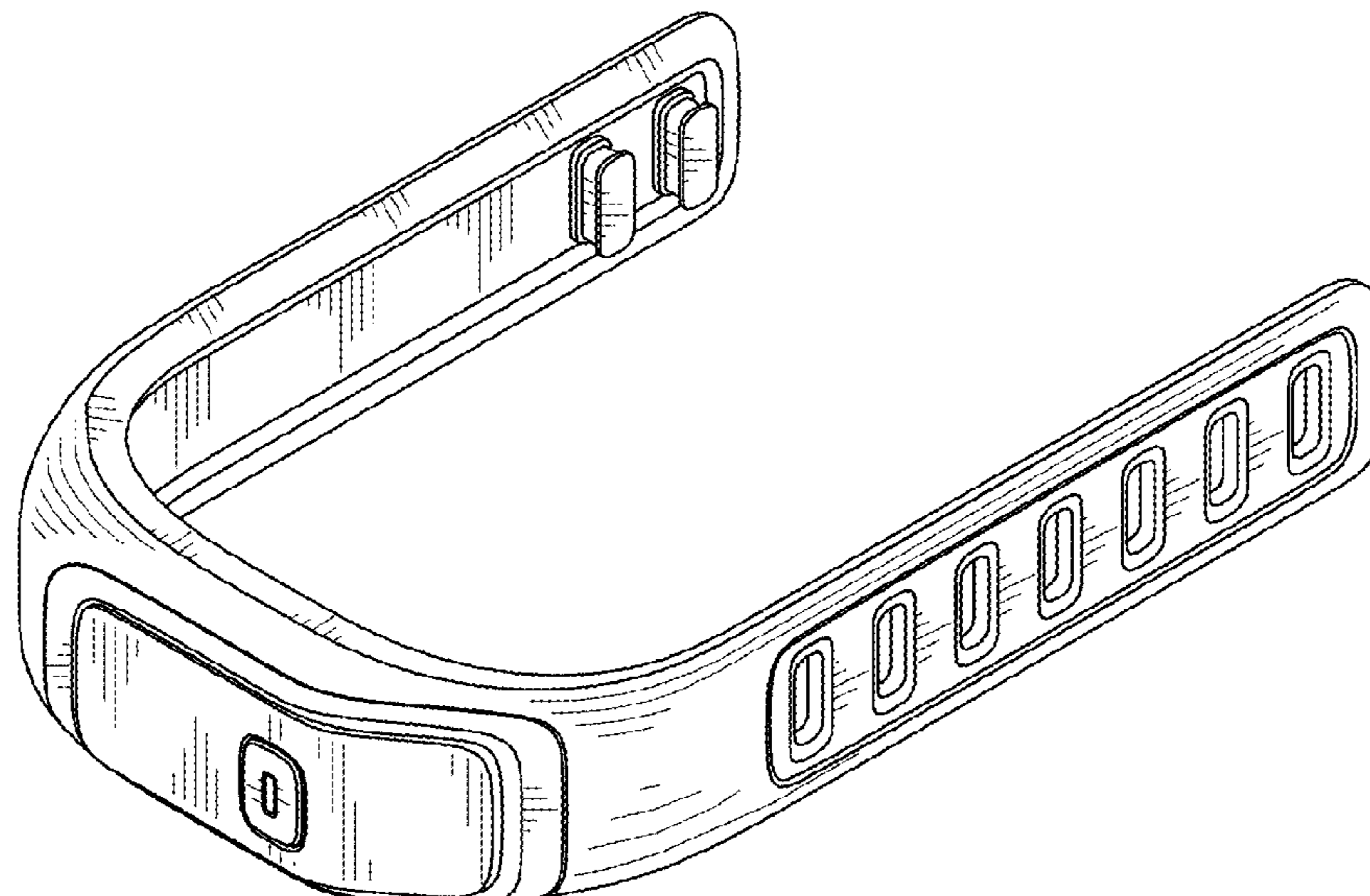
(57) **CLAIM**

The ornamental design for a wristband, as shown and described.

**DESCRIPTION**

FIG. 1 is a perspective view of a wristband; FIG. 2 is a front elevational view thereof; FIG. 3 is a rear elevational view thereof; FIG. 4 is a right-side elevational view thereof; FIG. 5 is a left-side elevational view thereof; FIG. 6 is a top plan view thereof; and, FIG. 7 is a bottom plan view thereof.

**1 Claim, 7 Drawing Sheets**



(56)

**References Cited**

U.S. PATENT DOCUMENTS

D746,477 S \* 12/2015 Cha ..... D24/186  
D747,714 S \* 1/2016 Erbeus ..... D10/32  
D749,002 S \* 2/2016 Park ..... D10/70  
D751,069 S \* 3/2016 Choi ..... D10/32  
2011/0032105 A1\* 2/2011 Hoffman ..... G04F 10/00  
340/573.1  
2011/0209373 A1\* 9/2011 Padgett ..... A44C 5/0015  
40/633  
2016/0015136 A1\* 1/2016 Yue ..... A44C 5/2071  
63/1.11

OTHER PUBLICATIONS

[Online] [http://supersonicinc.com/image/cache/catalog/Sc-61SW\\_ORANGE\\_1-500x500.jpg](http://supersonicinc.com/image/cache/catalog/Sc-61SW_ORANGE_1-500x500.jpg). Retrieved May 25, 2016.\*

[Online] <http://i0.wp.com/bestfitnesstrackers.co/wp-content/uploads/2014/07/41tb3DgXKzL.jpg?fit=400%2C400>. Retrieved May 25, 2016.\*

\* cited by examiner

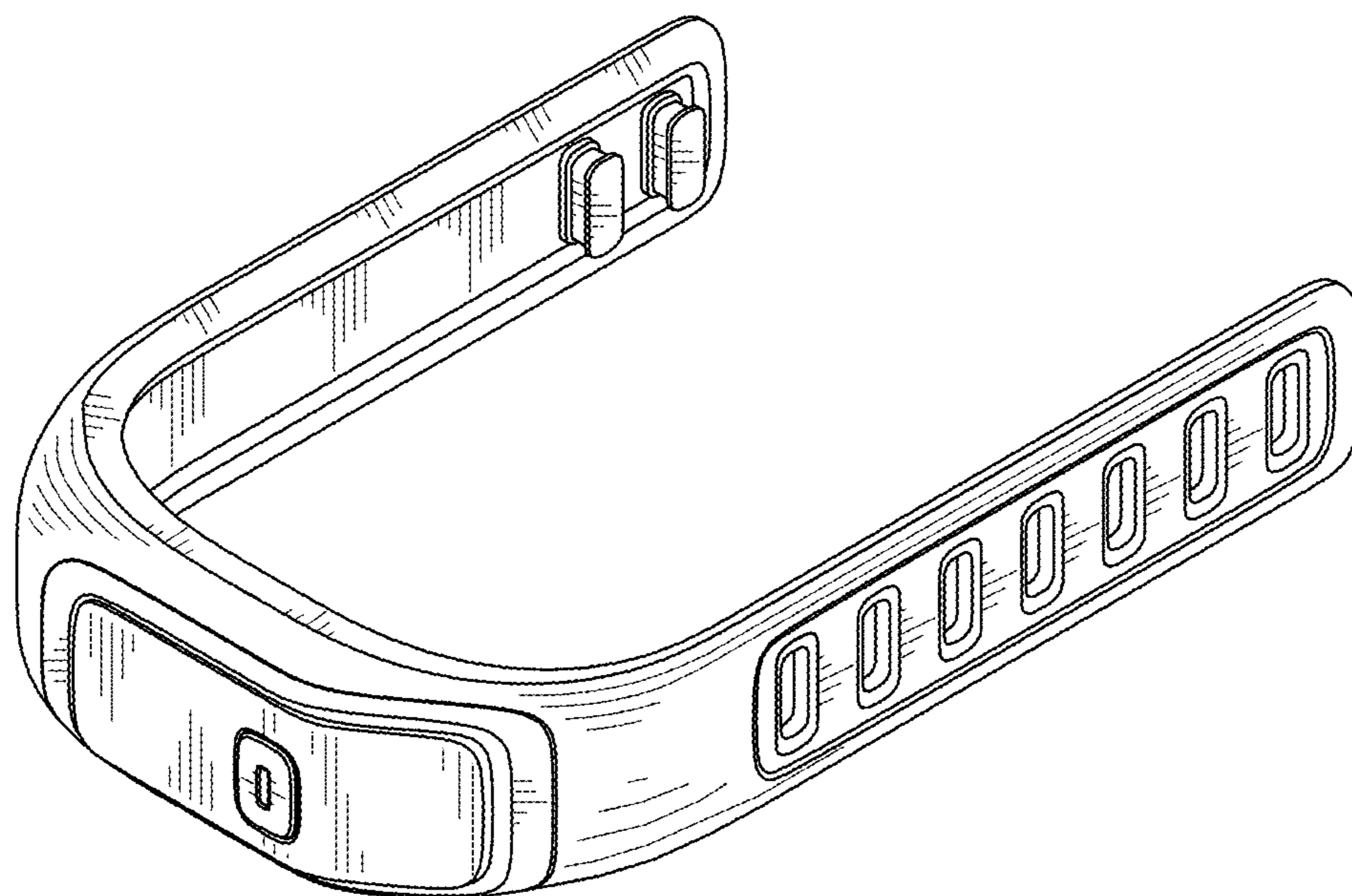


FIG. 1

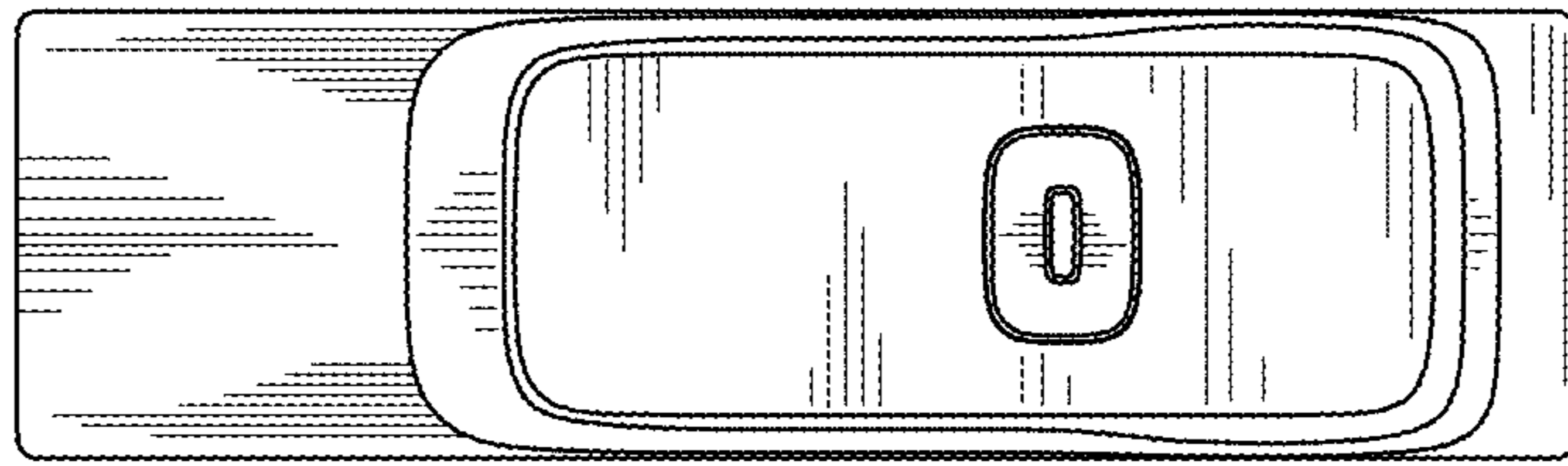


FIG. 2

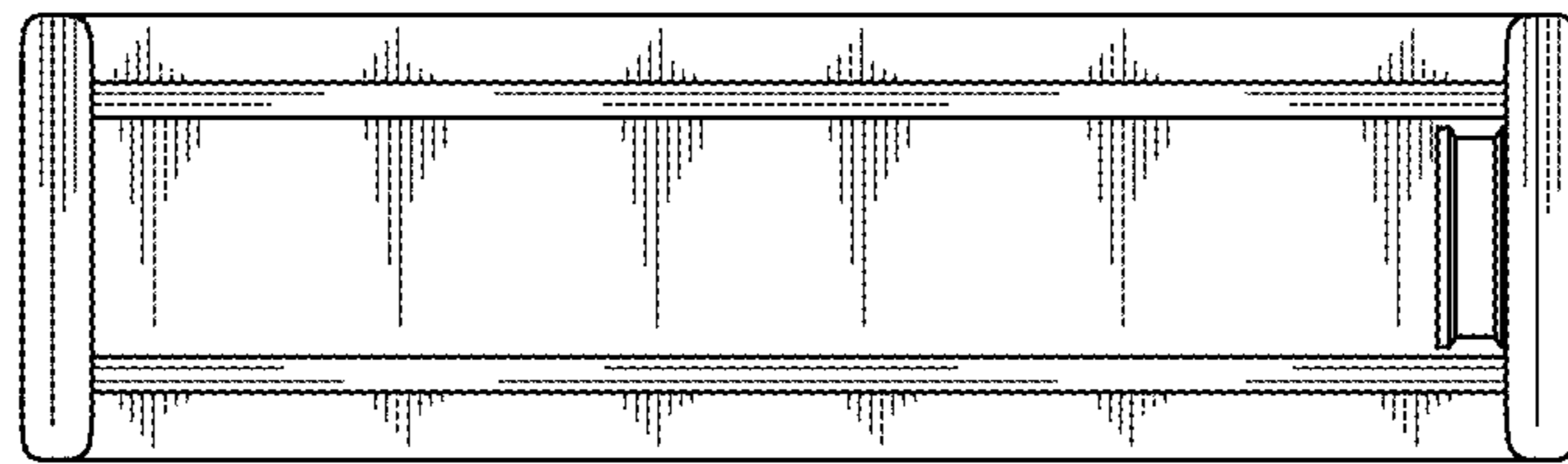


FIG. 3

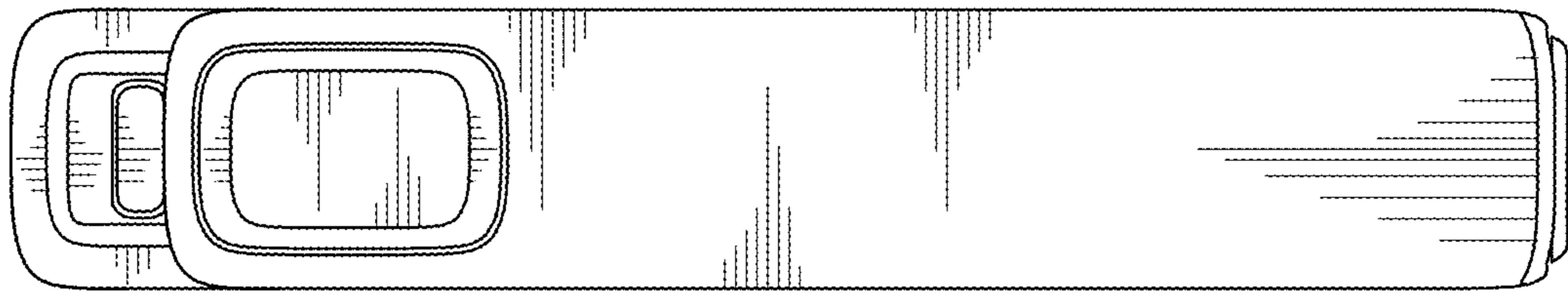


FIG. 4

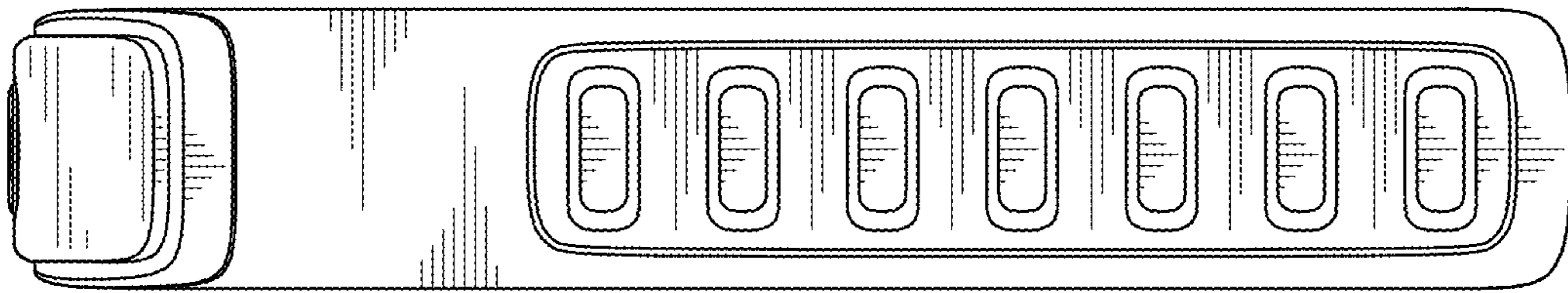


FIG. 5

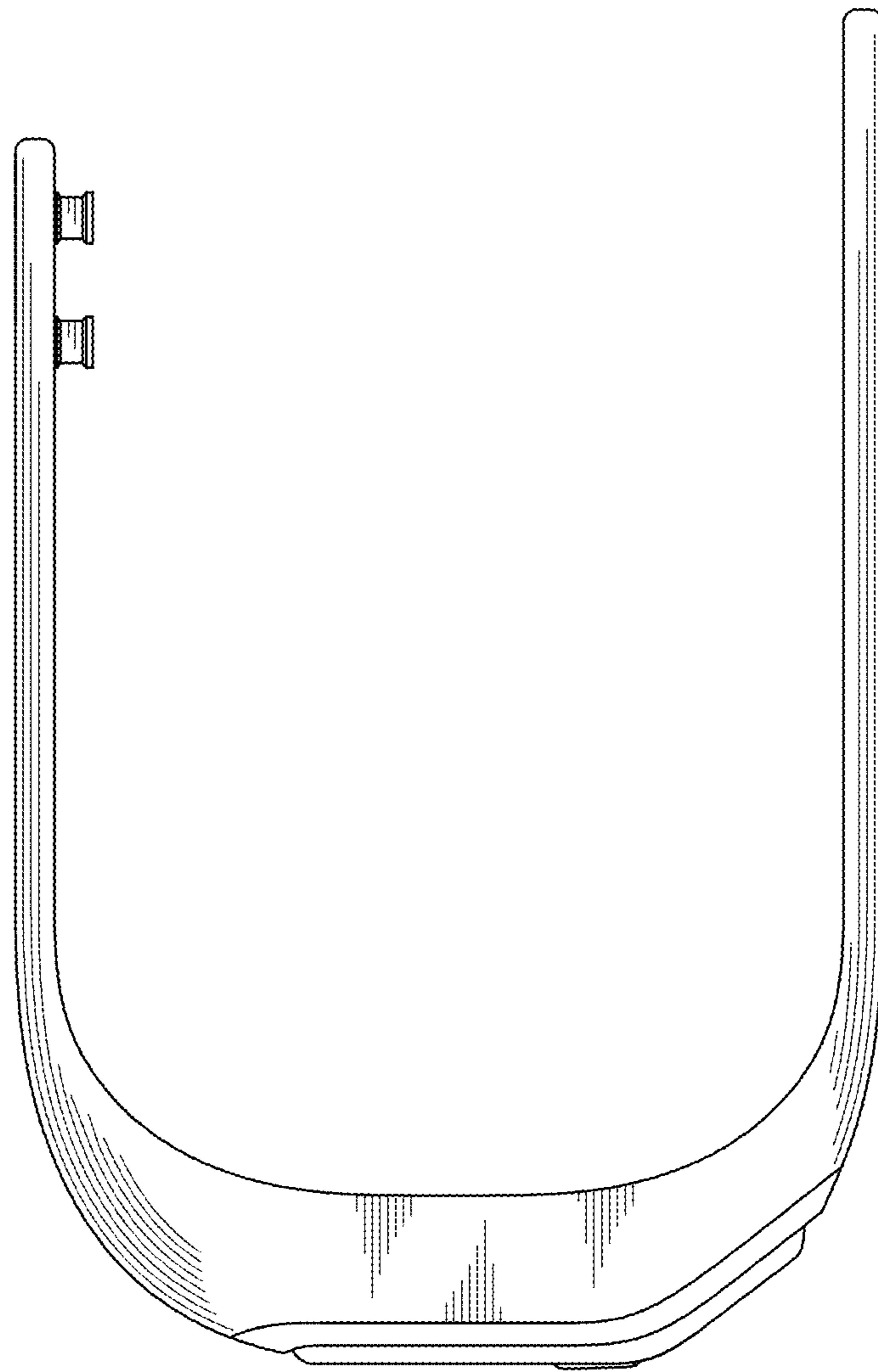


FIG. 6



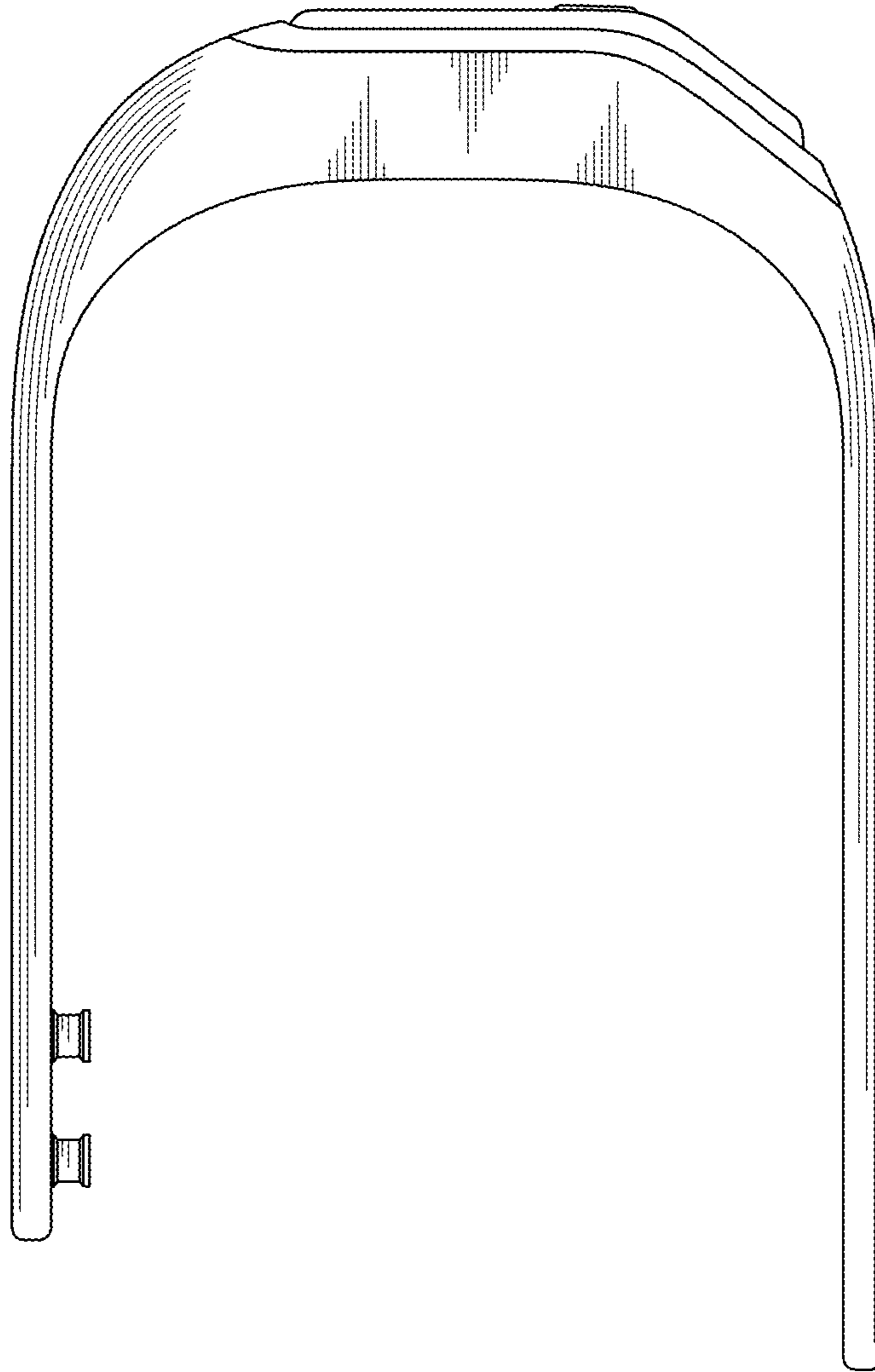


FIG. 7