



US00D779988S

(12) **United States Design Patent**
Vu et al.

(10) **Patent No.:** **US D779,988 S**

(45) **Date of Patent:** **** Feb. 28, 2017**

(54) **ACTIVITY MONITORING DEVICE**

(71) Applicant: **Misfit, Inc.**, Burlingame, CA (US)

(72) Inventors: **Sonny X. Vu**, Salem, NH (US);
Matthew Ryan Montgomery, Palo Alto, CA (US); **Jessica Ng Sheung-Yan**, San Francisco, CA (US)

(73) Assignee: **Misfit, Inc.**, Burlingame, CA (US)

(**) Term: **15 Years**

(21) Appl. No.: **29/538,738**

(22) Filed: **Sep. 8, 2015**

Related U.S. Application Data

(60) Continuation of application No. 29/517,446, filed on Feb. 12, 2015, now Pat. No. Des. 740,706, which is a continuation of application No. 29/504,667, filed on Oct. 8, 2014, now Pat. No. Des. 739,776, which is a division of application No. 29/461,314, filed on Jul. 22, 2013, now Pat. No. Des. 717,674.

(51) **LOC (10) Cl.** **10-02**

(52) **U.S. Cl.**

USPC **D10/132**; D10/70; D10/103; D10/126

(58) **Field of Classification Search**

USPC D10/30-39, 65, 70, 78, 97, 98, 103, 126, D10/128, 132; D14/138 R, 203.5, 203.6, D14/341, 344, 347; D24/167, 168, 186

CPC A44C 5/00-5/16; G04B 37/00-37/228; G04B 45/0069; G04B 47/04; G04B 19/00-19/34; G04B 21/12; G04B 23/12; G04B 47/00-47/068; G01C 17/00; G01C 21/00-21/3697

See application file for complete search history.

(56) **References Cited**

U.S. PATENT DOCUMENTS

3,744,236 A 7/1973 Kishida
D246,104 S 10/1977 Vong

D249,874 S 10/1978 Lawrence
D349,864 S 8/1994 Dunlap
D364,099 S 11/1995 Bergeron
D417,236 S 11/1999 Burrus
6,208,593 B1 3/2001 Liao
D486,090 S 2/2004 Thomson
7,134,784 B1 11/2006 Marin
7,180,830 B1 2/2007 Cotsen

(Continued)

OTHER PUBLICATIONS

Election/Restriction mailed Jun. 23, 2014 from Design U.S. Appl. No. 29/461,314, 8 pp.

(Continued)

Primary Examiner — Antoine D Davis

(74) *Attorney, Agent, or Firm* — Cooley LLP

(57) **CLAIM**

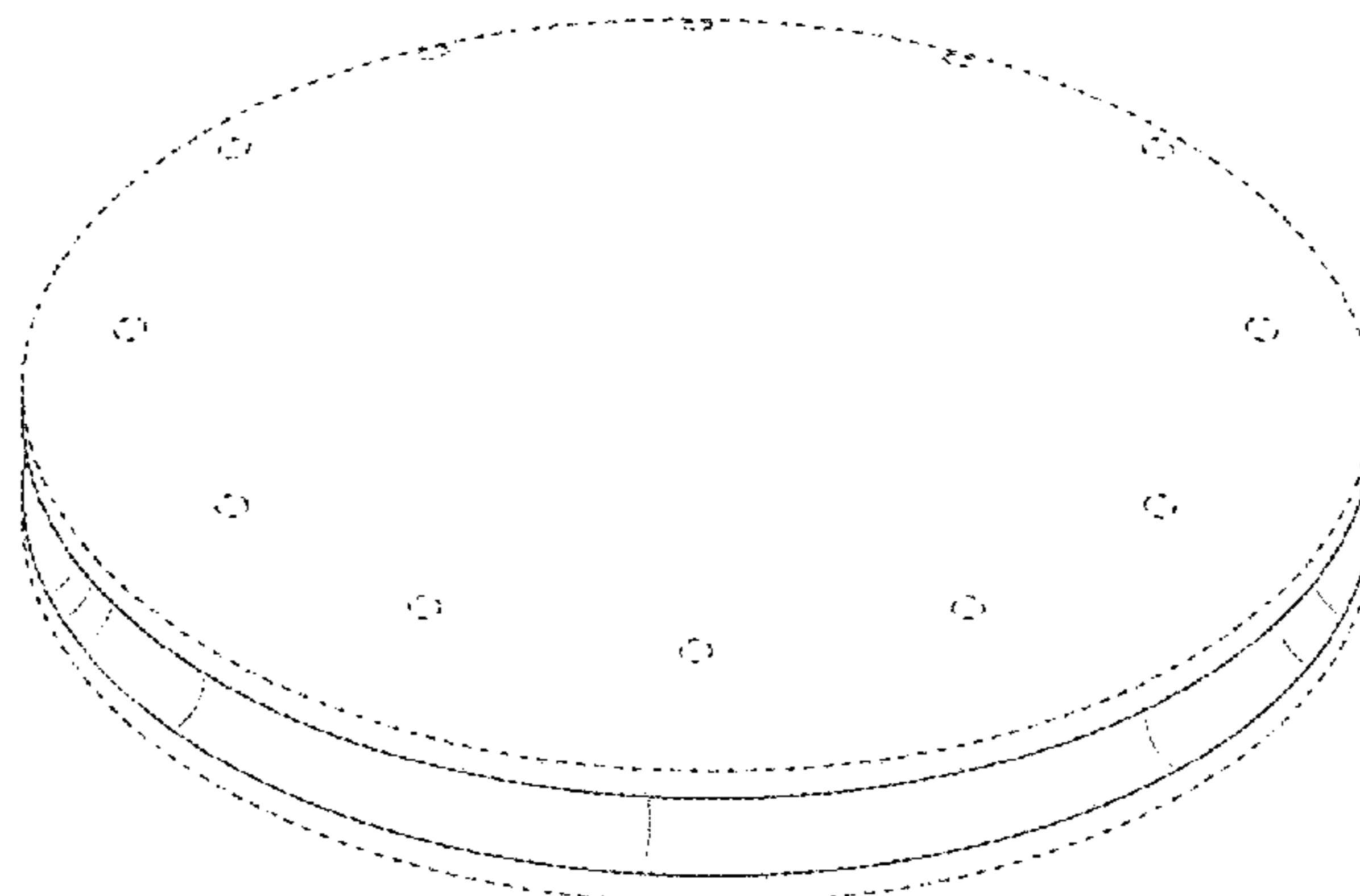
The ornamental design for an activity monitoring device, as shown and described.

DESCRIPTION

FIG. 1 is a top perspective view of an embodiment; FIG. 2 is a bottom perspective view of the embodiment; FIG. 3 is a top view of the embodiment; FIG. 4 is a bottom view of the embodiment; FIG. 5 is a left side view of the embodiment, the right side view being a mirror image thereof; FIG. 6 is a back view of the embodiment; and, FIG. 7 is a front view of the embodiment.

The broken lines immediately adjacent the shaded areas represent the bounds of the claimed design while all other broken lines are directed to environment and are for illustrative purposes only; the broken lines form no part of the claimed design.

1 Claim, 6 Drawing Sheets



(56)

References Cited

U.S. PATENT DOCUMENTS

D596,051	S	7/2009	Mille	
8,199,612	B2	6/2012	Jolidon	
D664,456	S	7/2012	Trine et al.	
D668,164	S	10/2012	Cowles et al.	
D671,026	S	11/2012	Thurau	
8,400,883	B2	3/2013	Lin	
8,477,567	B2	7/2013	Greubel et al.	
D687,328	S	8/2013	Clymer et al.	
D692,332	S	10/2013	Ni et al.	
D695,145	S	12/2013	De Belder	
D700,080	S	2/2014	Broadbent et al.	
D708,073	S	7/2014	Parmigiani	
D709,785	S	7/2014	Stegmann	
D717,674	S	11/2014	Vu	
D724,970	S	3/2015	Hasegawa	
D726,680	S *	4/2015	Kim	D10/37
D726,924	S *	4/2015	Tseng	D24/186
D733,596	S *	7/2015	Goodner	D10/70
D736,107	S *	8/2015	Lee	D10/70
D739,284	S *	9/2015	Vu	D10/103
D739,775	S *	9/2015	Vu	D10/103
D739,776	S *	9/2015	Vu	D10/103
D739,777	S *	9/2015	Vu	D10/103
D739,778	S *	9/2015	Vu	D10/103
D739,942	S *	9/2015	Pernu	D24/167
9,140,717	B2 *	9/2015	Perkins	G01C 21/16
D740,706	S *	10/2015	Vu	D10/103
D743,819	S *	11/2015	Golnik	D10/70
D749,570	S *	2/2016	Lee	D14/344
D756,955	S *	5/2016	Wagner	D14/203.6

OTHER PUBLICATIONS

Election/Restriction mailed Apr. 13, 2016 from Design U.S. Appl. No. 29/542,007, 8 pp.

Election/Restriction mailed May 14, 2015 from Design U.S. Appl. No. 29/512,056, 8 pp.

Design Examination Report No. 1 mailed Apr. 18, 2016 from Australian Application No. 201611773, 12 pp.

Design Examination Report No. 1 mailed Apr. 18, 2016 from Australian Application No. 201611774, 12 pp.

Design Examination Report No. 1 mailed Apr. 18, 2016 from Australian Application No. 201611775, 12 pp.

Design Examination Report No. 1 mailed Apr. 18, 2016 from Australian Application No. 201611776, 12 pp.

Design Examination Report No. 1 mailed Apr. 18, 2016 from Australian Application No. 201611777, 12 pp.

Design Examination Report No. 1 mailed Jun. 1, 2016 from Australian Application No. 201611763, 12 pp.

<https://www.facebook.com/MisfitWearables> published on Oct. 1, 2013, 1 pp.

<https://twitter.com/Misfit> published on Feb. 25, 2014, 1 pp.

<https://www.facebook.com/diana.chang.165?fref=ts> published on Aug. 18, 2015, 1 pp.

<http://www.wired.com/2013/08/misfit-shine-a-fitness-tracker-that-charts-new-wearable-territory/> published on Aug. 16, 2013, 1 p.

<http://www.gadfit.com/mothers-day-fitness-trackers-deals/> published on May 1, 2014, 1 p.

Design Examination Report No. 2 mailed Sep. 29, 2016 from Australian Application No. 201611777, 7 pp.

* cited by examiner

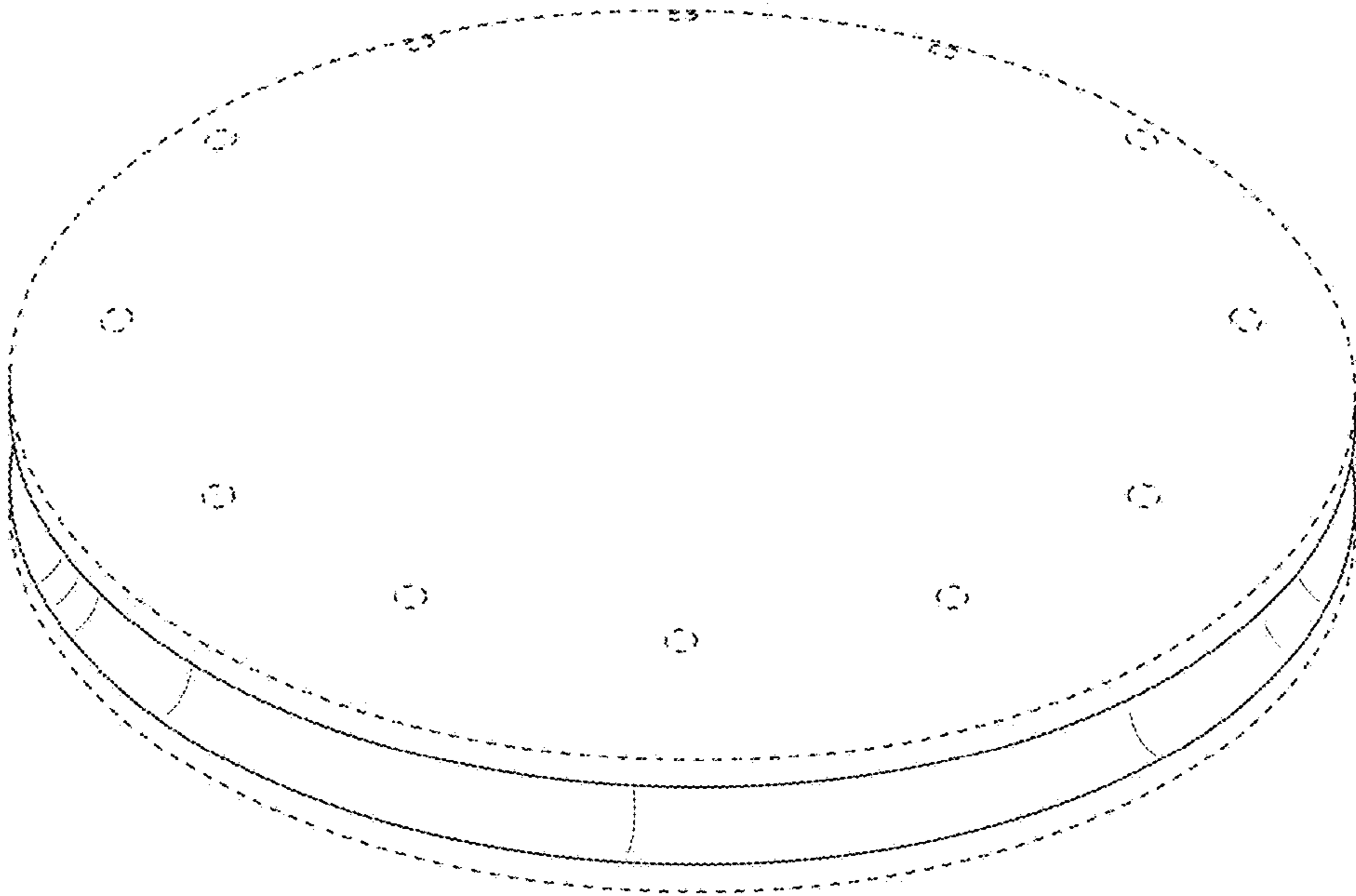


FIG. 1

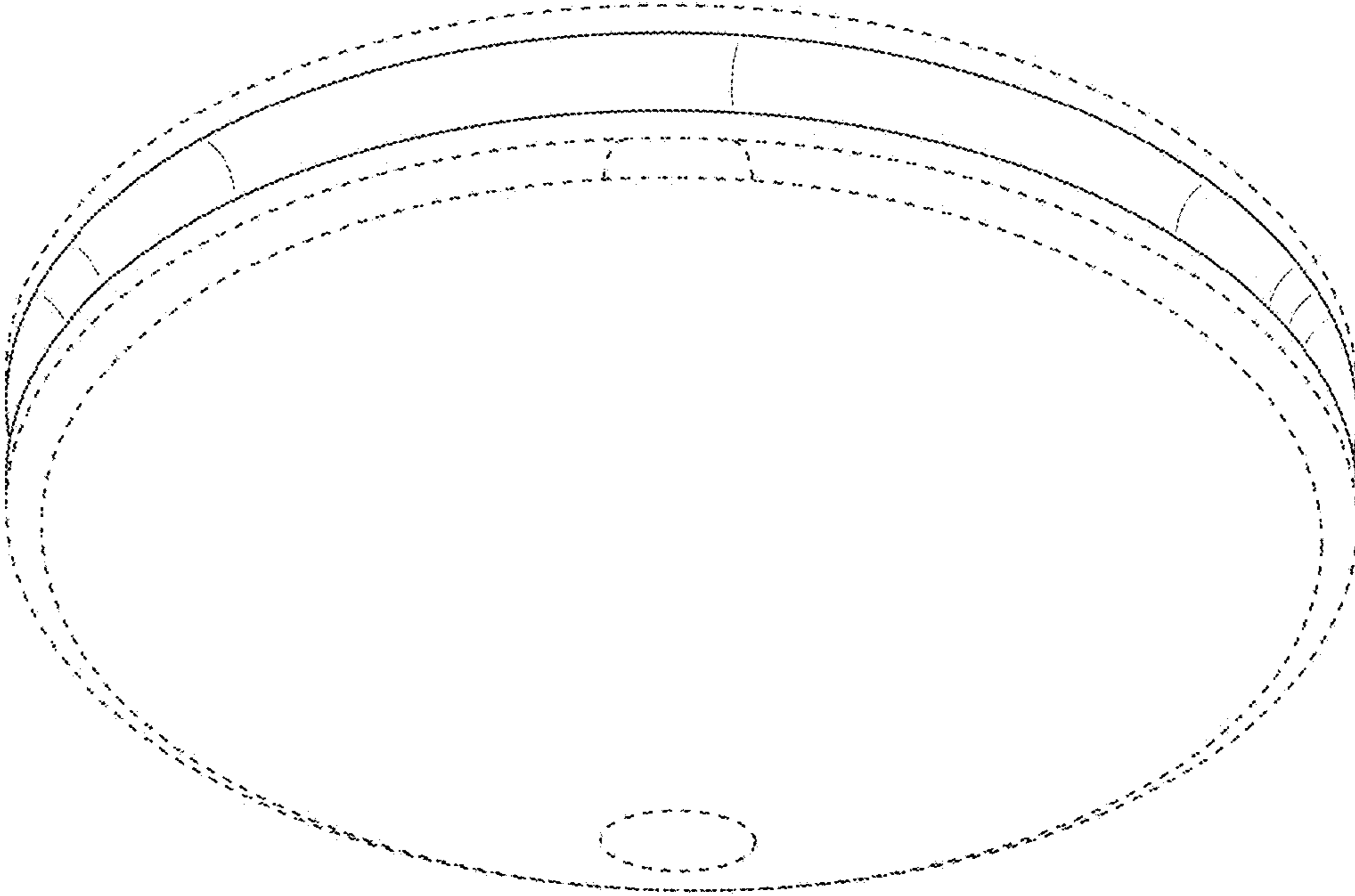


FIG. 2

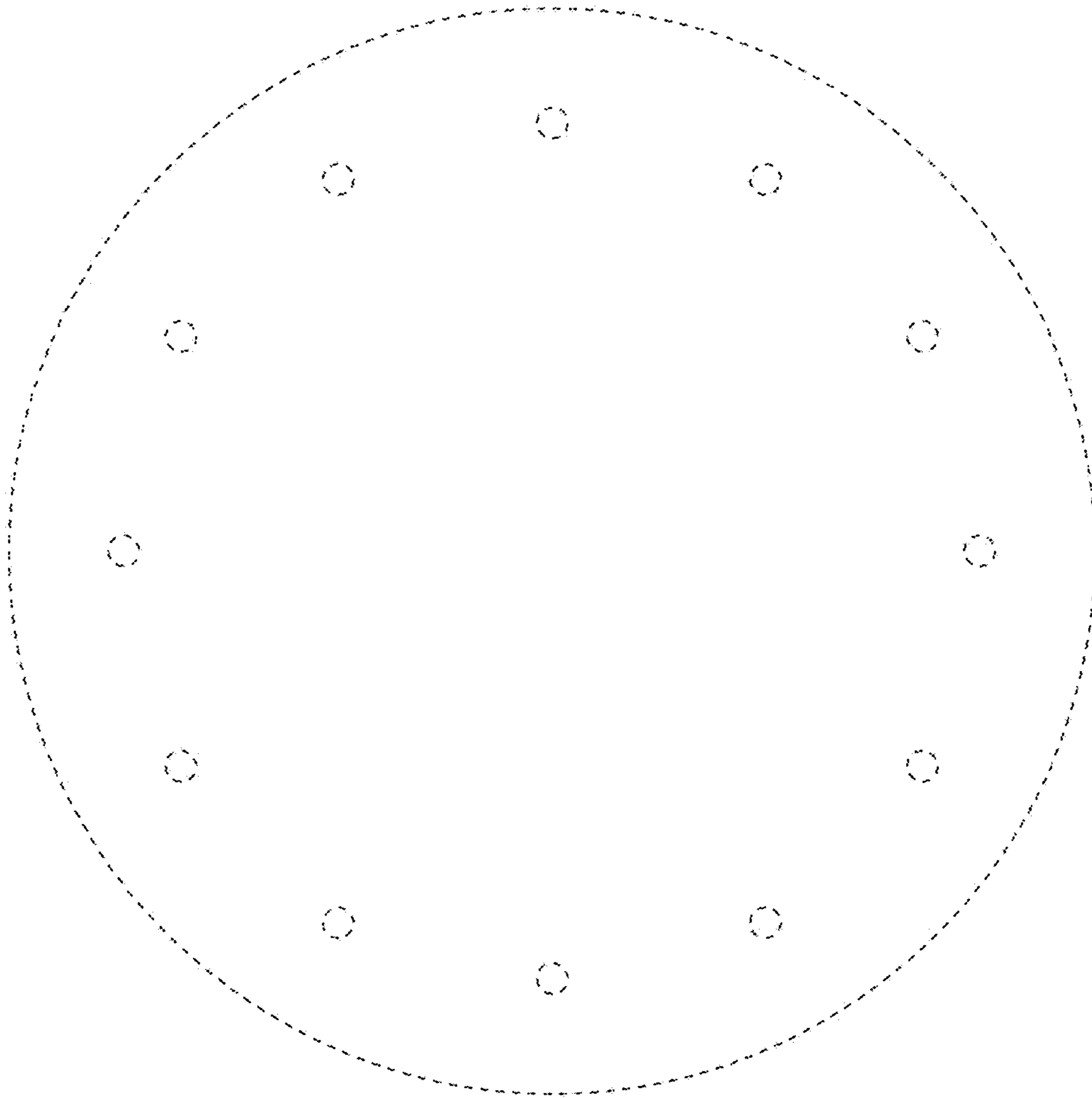


FIG. 3

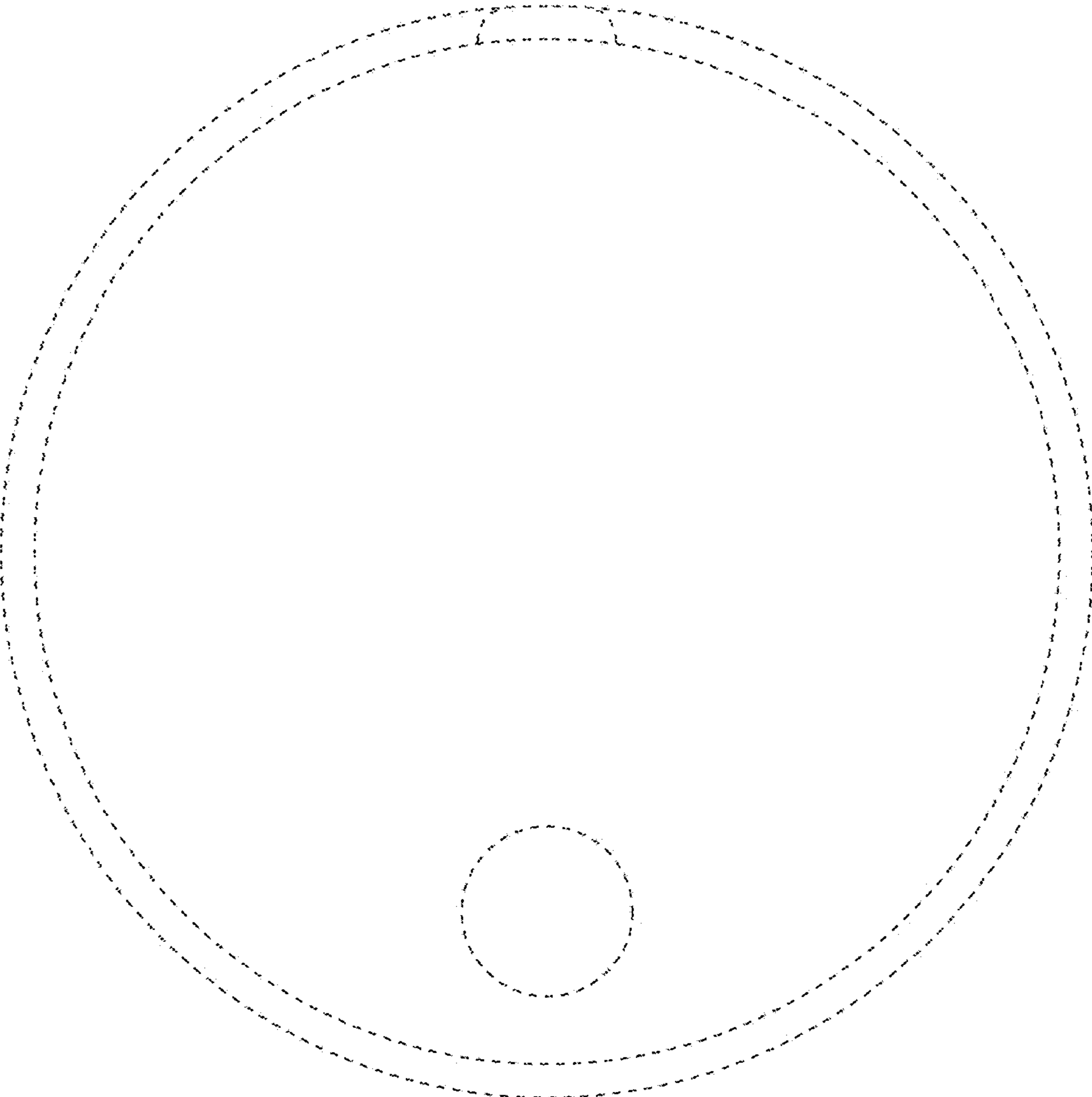


FIG. 4

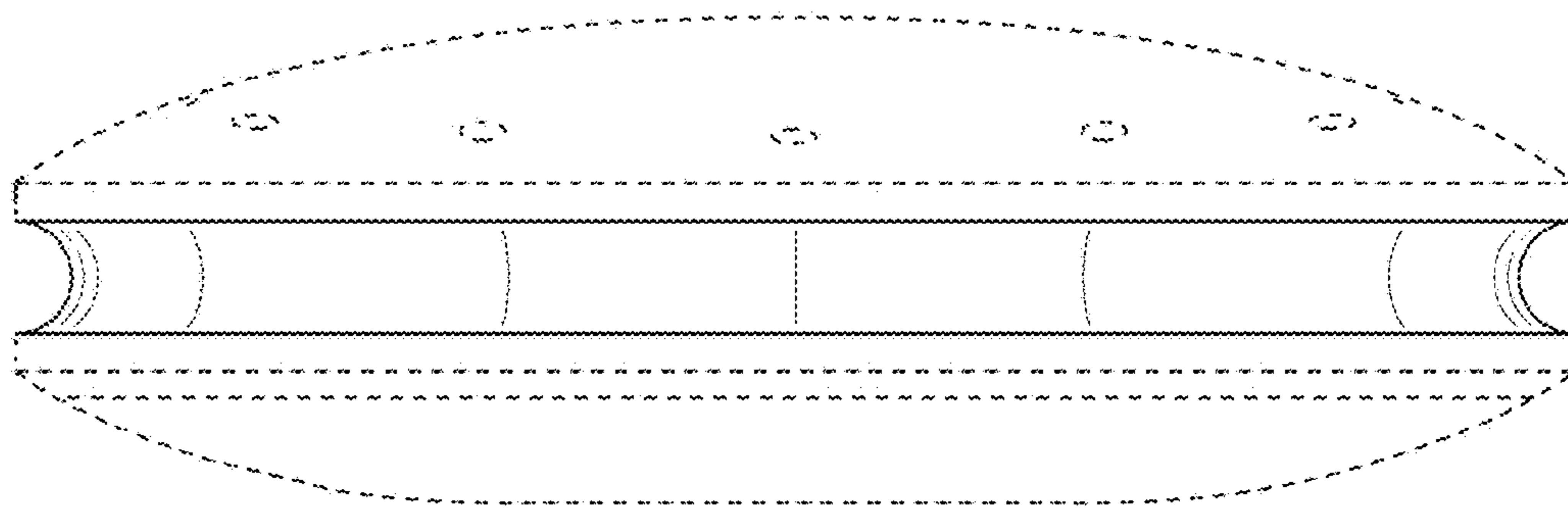


FIG. 5

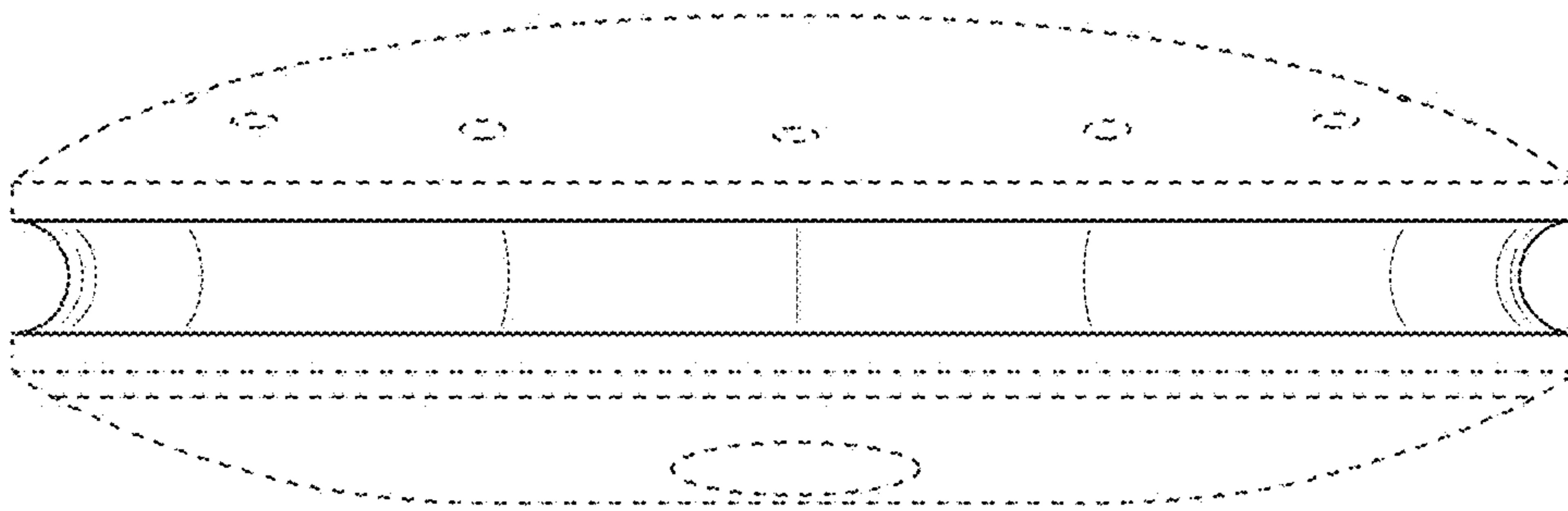


FIG. 6

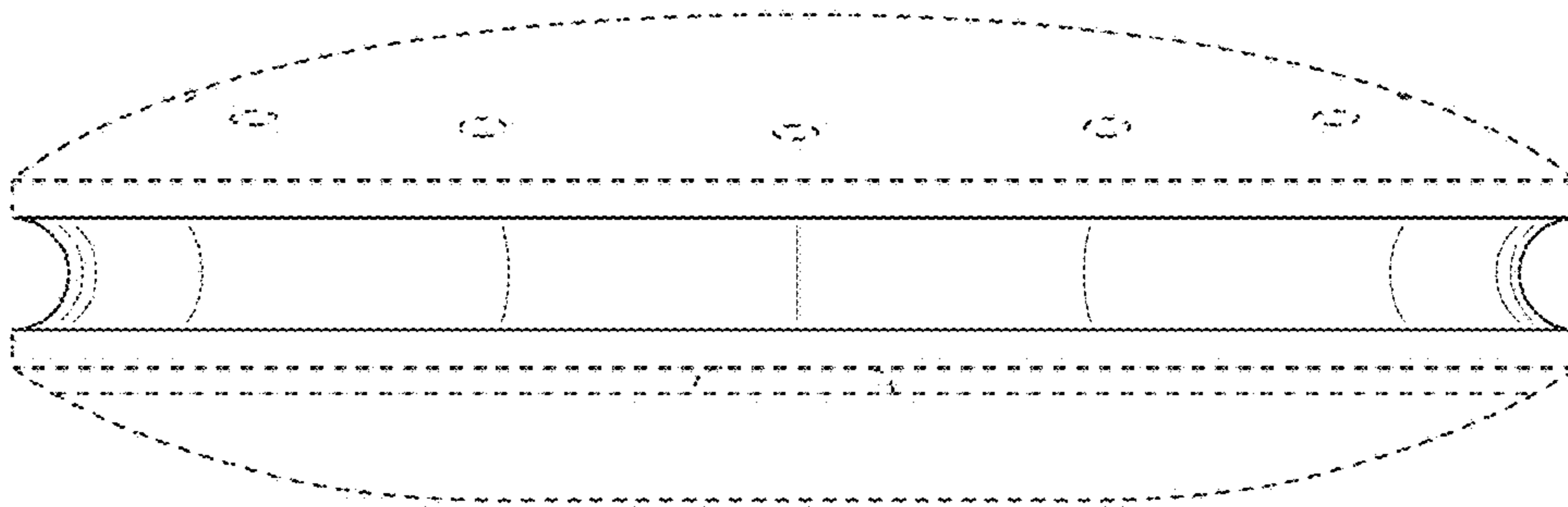


FIG. 7