



US00D779987S

(12) **United States Design Patent** (10) **Patent No.:** **US D779,987 S**  
**Perret et al.** (45) **Date of Patent:** **\*\* Feb. 28, 2017**

(54) **DETAIL OF A WRIST WATCH**

- (71) Applicant: **HYT SA**, Neuchâtel (CH)
- (72) Inventors: **Sébastien Perret**, Bôle (CH); **Lucien Vouillamoz**, Feusisberg (CH)
- (73) Assignee: **HYT SA**, Neuchâtel (CH)
- (\*\*) Term: **14 Years**
- (21) Appl. No.: **29/516,961**
- (22) Filed: **Feb. 9, 2015**

**Related U.S. Application Data**

- (63) Continuation of application No. 29/449,342, filed on Mar. 15, 2013, now abandoned.
- (51) **LOC (10) Cl.** ..... **10-07**
- (52) **U.S. Cl.**  
USPC ..... **D10/128**
- (58) **Field of Classification Search**  
USPC ..... D10/30-39, 1-29, 122-132; 368/21, 28, 368/80, 223, 228, 232, 276, 277, 281, 368/282, 285, 294, 295, 308, 316, 317, 368/319  
CPC ..... G04B 15/00; G04B 15/02; G04B 15/06; G04B 15/14; G04B 19/00; G04B 19/04; G04B 19/10; G04B 19/12; G04B 19/28; G04B 37/00; G04B 37/0008; G04B 45/00; G04B 45/0069; G04B 45/0076; G04B 45/02; G04B 1/00; G04B 1/26; G04C 3/00; G04C 3/04; G04C 3/042  
See application file for complete search history.

(56) **References Cited**

**U.S. PATENT DOCUMENTS**

- D714,662 S \* 10/2014 Mille ..... D10/39
  - D727,753 S \* 4/2015 Laucella ..... D10/39
  - D731,900 S \* 6/2015 Mille ..... D10/125
  - D731,901 S \* 6/2015 Mille ..... D10/125
- (Continued)

**OTHER PUBLICATIONS**

Wrist Watch | H2 Black DLC and Pink Gold | Hyt Watches, posted at Hyt.com, posting date n/a, © 2015 hytwatches.com, [online], [site visited May 23, 2016], Available at <http://www.hytwatches.com/collection-h2/watch/h2-black-dlc-pink-gold/>.\*

(Continued)

*Primary Examiner* — Susan Bennett Hattan

*Assistant Examiner* — Jennifer Wright

(74) *Attorney, Agent, or Firm* — Da Vinci Partners LLC; John Moeteli

(57) **CLAIM**

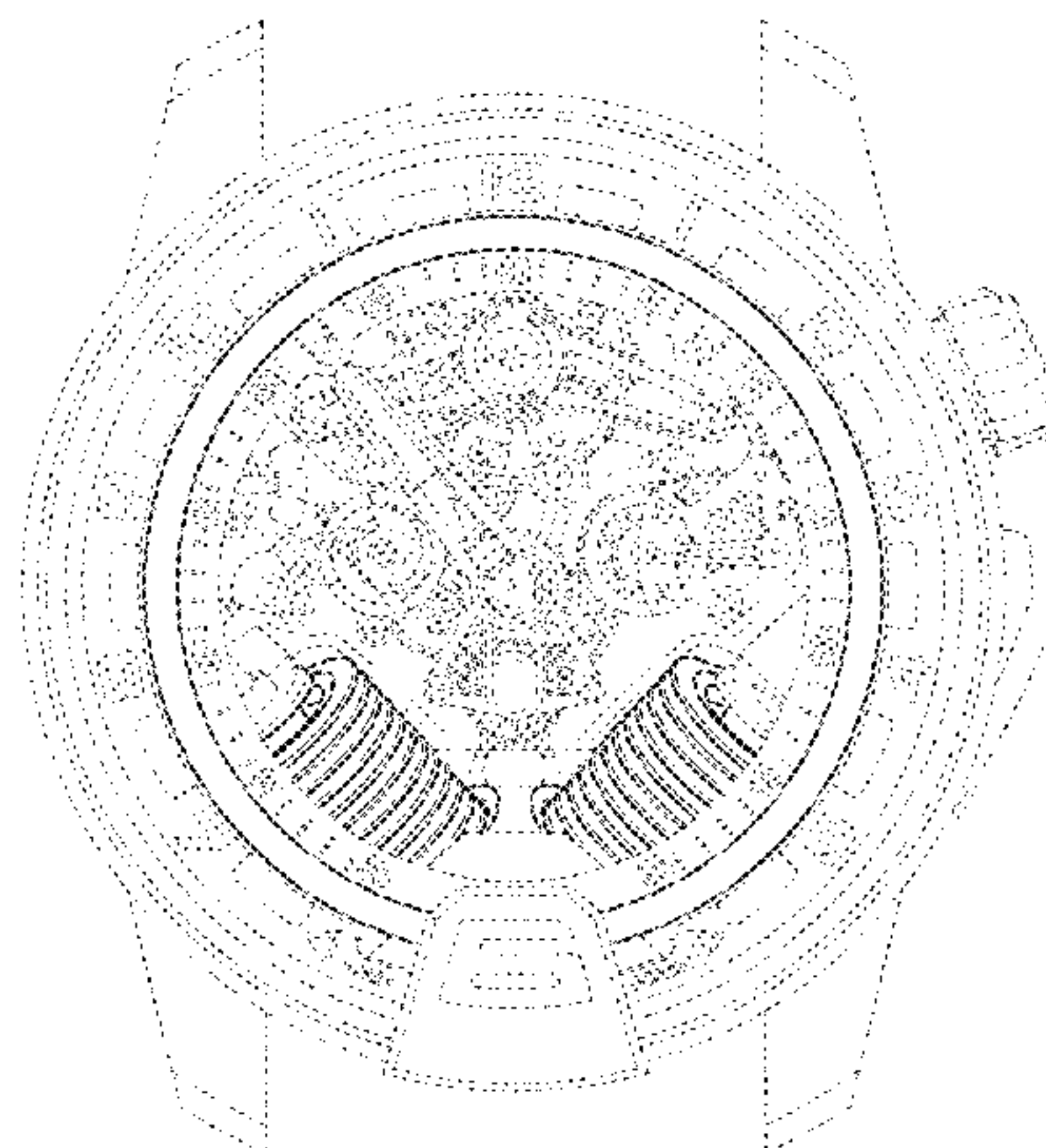
The ornamental design for a detail of a wrist watch, as shown and described.

**DESCRIPTION**

FIG. 1 is a top view of a detail of the wrist watch.  
 FIG. 2 is a bottom view of a detail of the wrist watch.  
 FIG. 3 is a right perspective view of a detail of the wrist watch.  
 FIG. 4 is a perspective view of a detail of the wrist watch.  
 FIG. 5 is a front perspective view of a detail of the wrist watch.  
 FIG. 6 is a bottom perspective view of a detail of the wrist watch.  
 FIG. 7 is a bottom right perspective view of a detail of the wrist watch; and,  
 FIG. 8 is a left side perspective view of a detail of the wrist watch.

The broken lines depict environment only and form no part of the claimed design.

**1 Claim, 8 Drawing Sheets**



(56)

**References Cited**

U.S. PATENT DOCUMENTS

D731,902 S \* 6/2015 Mille ..... D10/125  
D731,903 S \* 6/2015 Mille ..... D10/125  
D732,405 S \* 6/2015 Mille ..... D10/125  
D732,406 S \* 6/2015 Mille ..... D10/125  
D732,407 S \* 6/2015 Mille ..... D10/125  
D736,653 S \* 8/2015 Mille ..... D10/39  
D737,693 S \* 9/2015 Mille ..... D10/39  
D751,421 S \* 3/2016 Perret ..... D10/126  
2014/0328146 A1\* 11/2014 Vouillamoz ..... F04B 53/14  
368/65  
2015/0098665 A1\* 4/2015 Vouillamoz ..... G04B 1/265  
383/40  
2016/0033936 A1\* 2/2016 Jaccard ..... G04B 1/14  
368/148

OTHER PUBLICATIONS

Wrist Watch | Metal Bellows | Sigmanetics, posted at sigmanetics.com, posting date n/a, © 2016 sigmanetics, [online], [site visited May 23, 2016], Available at <http://www.sigmanetics.com/technical-resources/metal-bellows-technology/bellows-materials>.\*

\* cited by examiner



Fig. 1



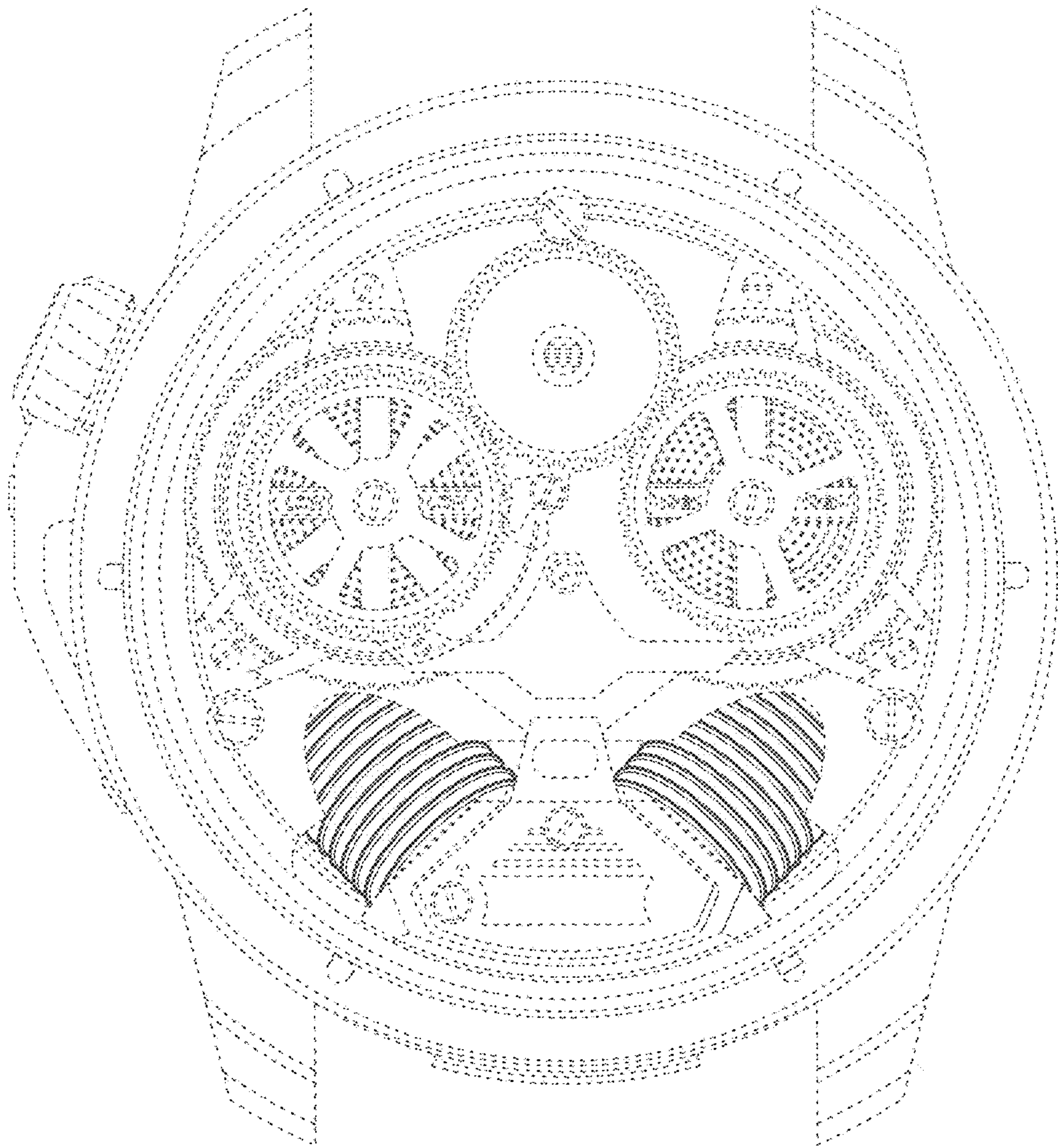


Fig.2

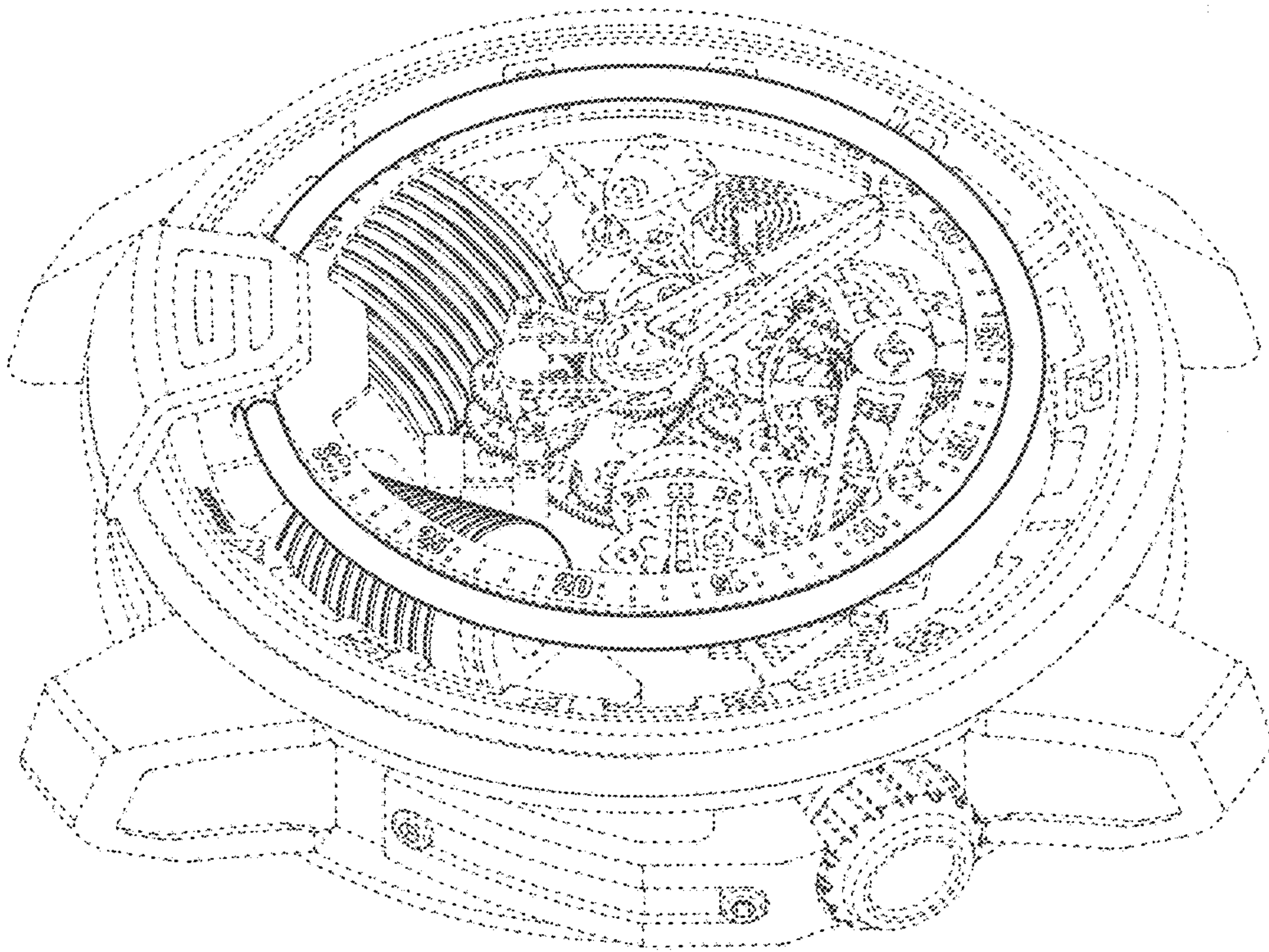


Fig.3



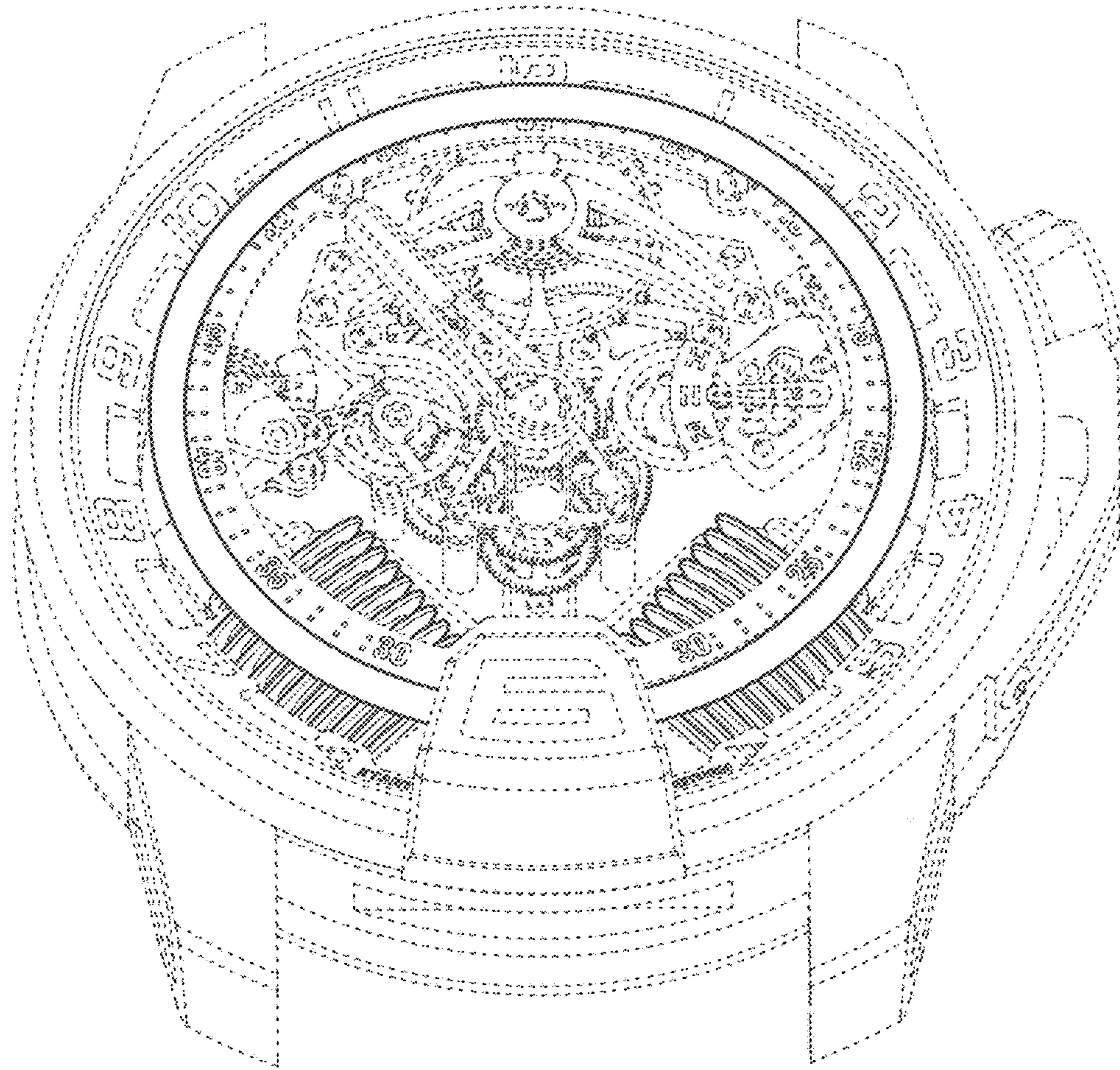


Fig.4

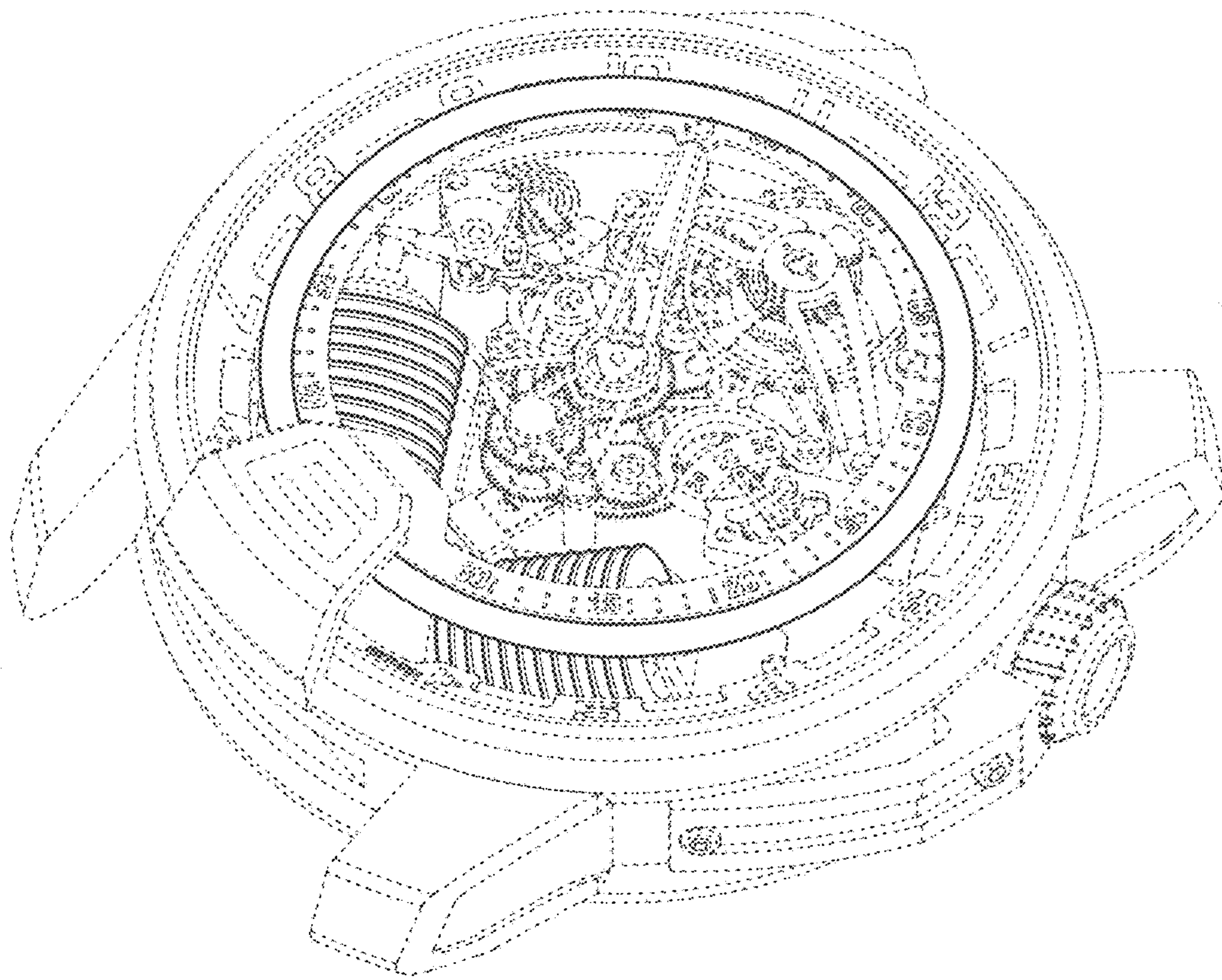


Fig.5



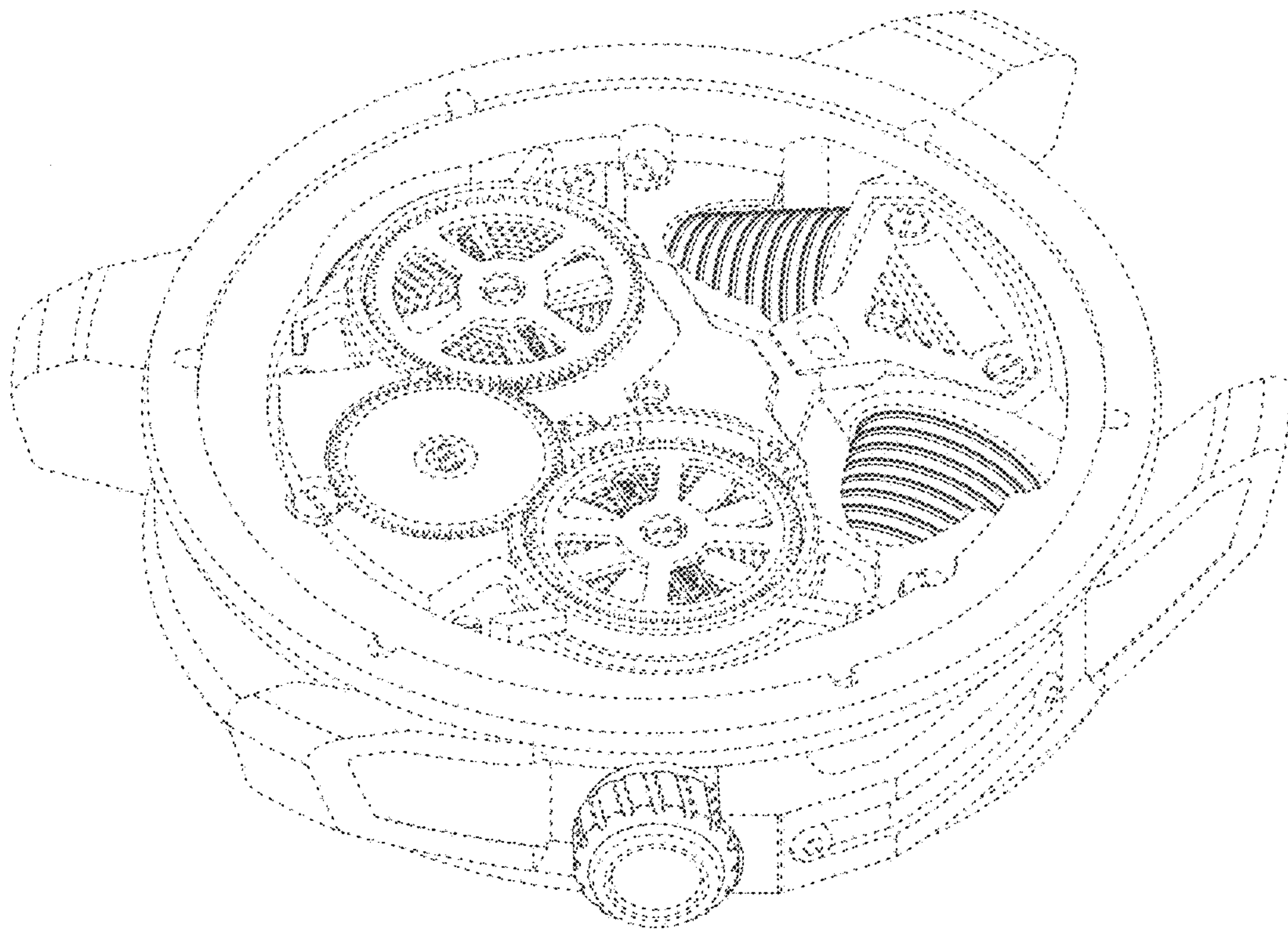


Fig.6



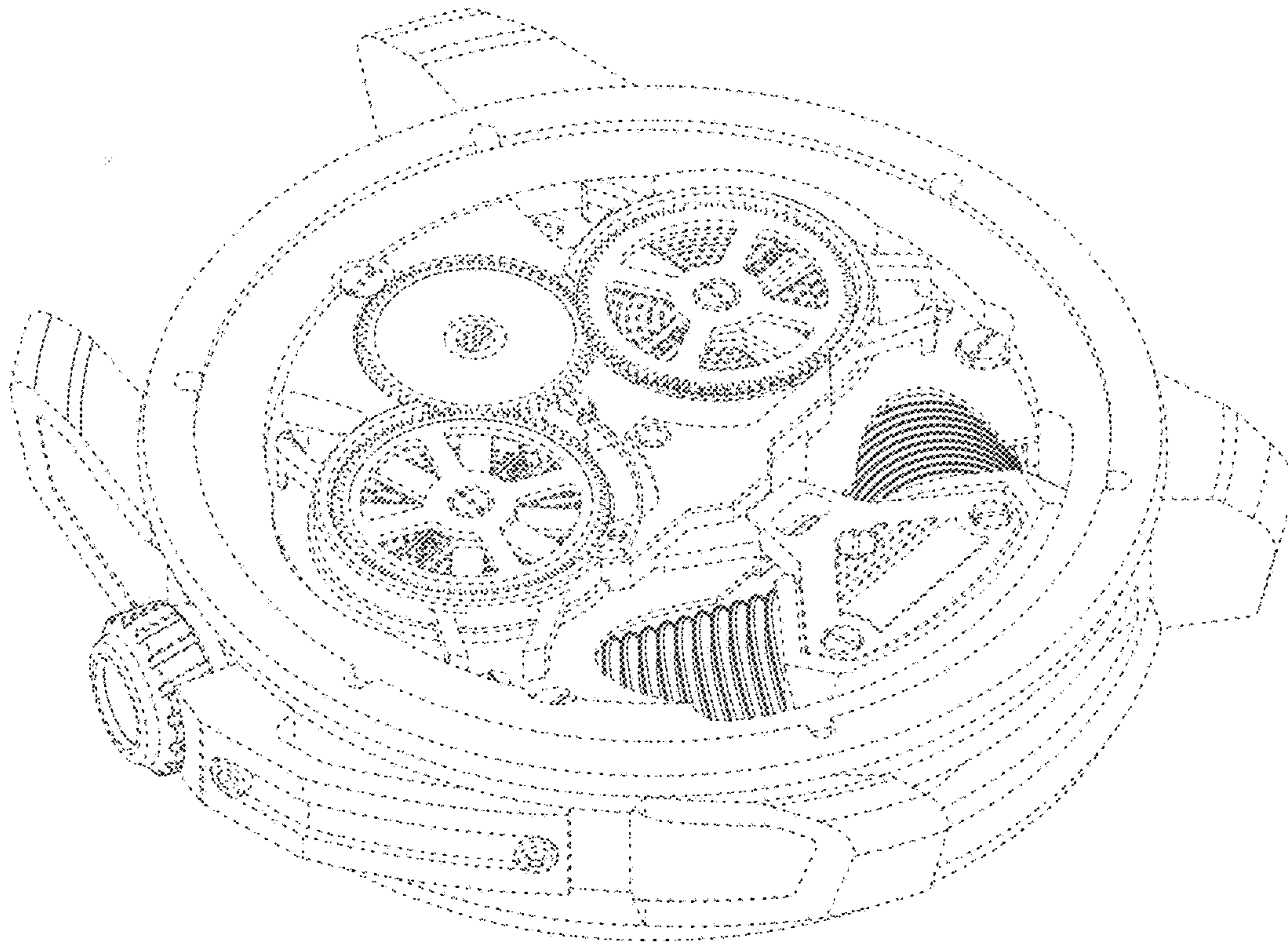


Fig.7

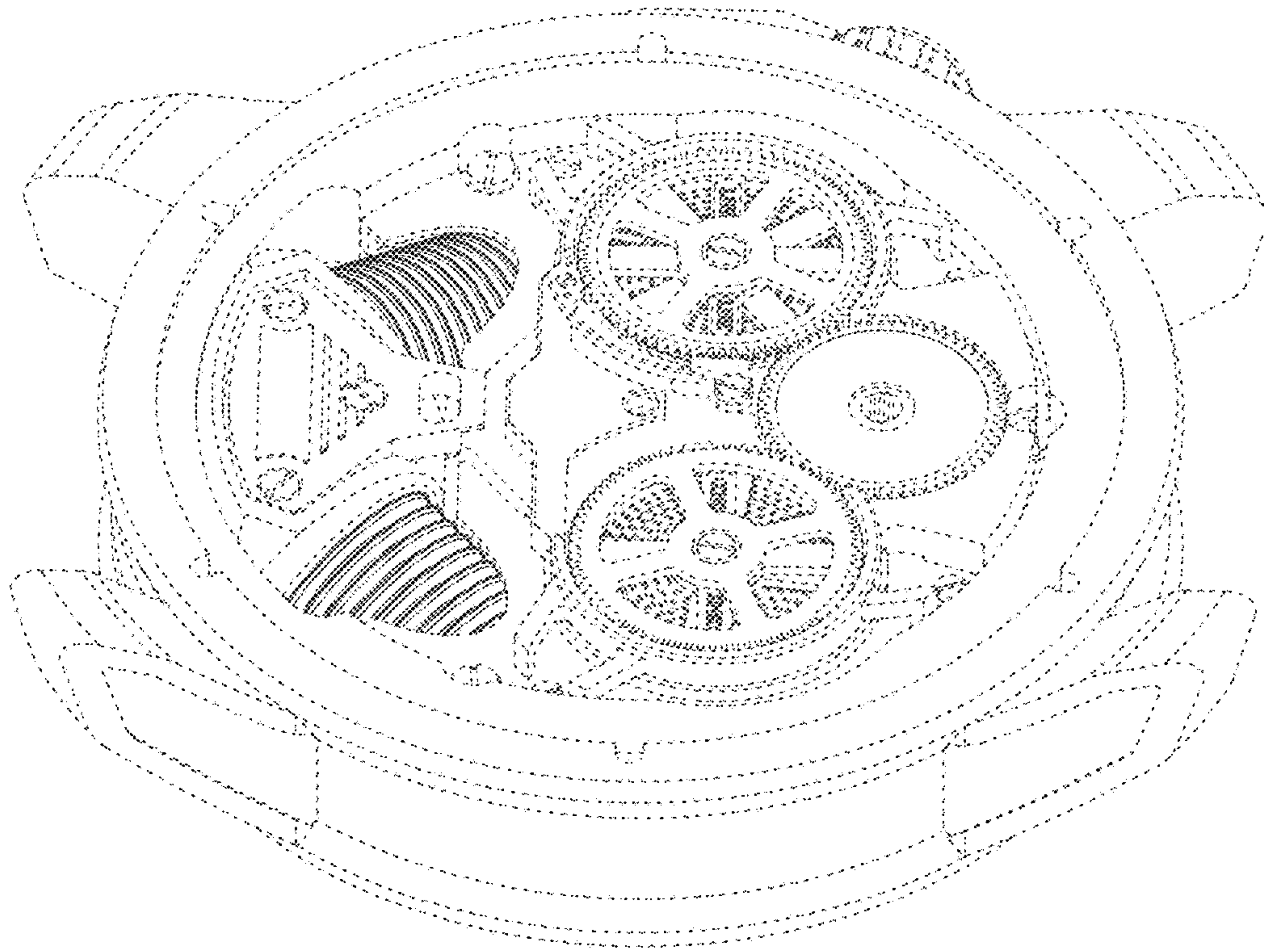


Fig.8