



US00D779984S

(12) **United States Design Patent** (10) **Patent No.:** **US D779,984 S**  
**Deyaf et al.** (45) **Date of Patent:** **\*\* Feb. 28, 2017**

(54) **SURFACE MOUNT LIGHT**  
(71) Applicant: **SpeedTech Lights Inc.**, Buda, TX (US)  
(72) Inventors: **Malik Deyaf**, Buda, TX (US); **Mostafa Abdallah**, Buda, TX (US)  
(73) Assignee: **SpeedTech Lights, Inc.**, Buda, TX (US)  
(\*\*) Term: **15 Years**  
(21) Appl. No.: **29/552,223**  
(22) Filed: **Jan. 21, 2016**  
(51) **LOC (10) Cl.** ..... **10-05**  
(52) **U.S. Cl.**  
USPC ..... **D10/114.2**  
(58) **Field of Classification Search**  
USPC ..... D10/104.1, 109.1, 109.2, 110, 111,  
D10/114.1-114.8; D26/28, 35, 36  
CPC ..... F21W 2101/02; F21W 2101/10; F21W  
2101/14  
See application file for complete search history.

D530,437 S \* 10/2006 Neufeglise ..... D26/28  
D547,889 S \* 7/2007 Huang ..... D26/28  
D584,180 S \* 1/2009 Pokorny ..... D10/111  
D589,835 S \* 4/2009 Pokorny ..... D10/110  
D589,836 S \* 4/2009 Pokorny ..... D10/110  
D592,330 S \* 5/2009 Huang ..... D26/28  
D592,985 S \* 5/2009 Barnett ..... D10/114.1  
D594,768 S \* 6/2009 Barnett ..... D10/114.1  
D595,172 S \* 6/2009 Pokorny ..... D10/114.1  
D604,188 S \* 11/2009 Shin ..... D10/114.4  
D618,125 S \* 6/2010 Luscombe ..... D10/114.1  
D647,418 S \* 10/2011 Miller ..... D10/114.4  
D654,387 S \* 2/2012 Wilson ..... D10/114.2  
D669,806 S \* 10/2012 Stein ..... D10/114.2  
D669,807 S \* 10/2012 Stein ..... D10/114.2  
D711,024 S \* 8/2014 Kuwano ..... D26/28

\* cited by examiner

*Primary Examiner* — George D Kirschbaum  
*Assistant Examiner* — Joseph Kukella

(57) **CLAIM**

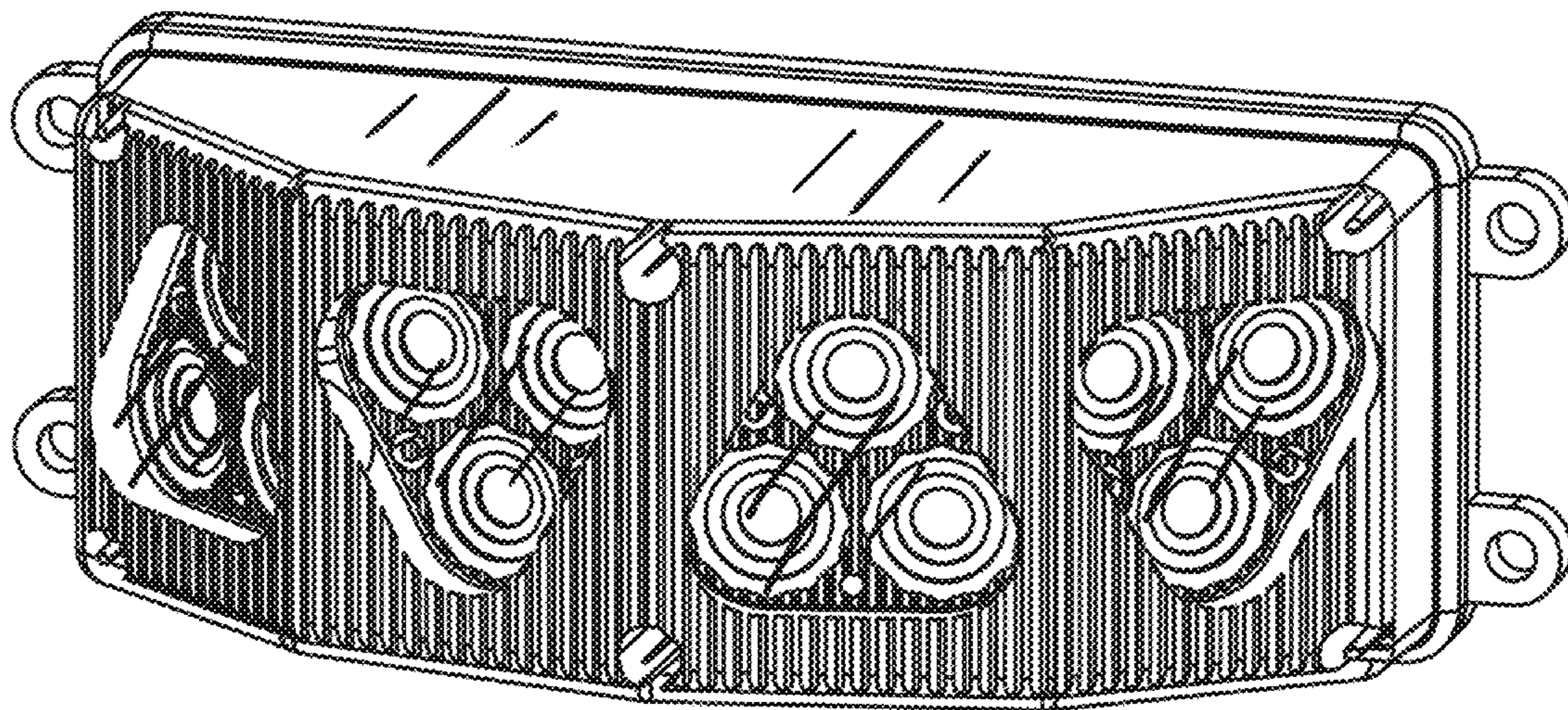
The ornamental design for a surface mount light, as shown.

**DESCRIPTION**

FIG. 1 is a perspective view of a surface mount light showing our new design;  
FIG. 2 is a front view thereof;  
FIG. 3 is a back view thereof;  
FIG. 4 is a right side view thereof;  
FIG. 5 is a left side view thereof;  
FIG. 6 is a top plan view thereof; and,  
FIG. 7 is a bottom plan view thereof.

**1 Claim, 4 Drawing Sheets**

(56) **References Cited**  
U.S. PATENT DOCUMENTS  
D320,185 S \* 9/1991 Muller ..... D10/111  
D326,237 S \* 5/1992 Gale ..... D10/114.8  
D397,633 S \* 9/1998 Yang ..... D10/111  
D414,712 S \* 10/1999 Yang ..... D10/111  
D421,726 S \* 3/2000 Yang ..... D10/111  
D425,223 S \* 5/2000 Li ..... D10/111  
D524,673 S \* 7/2006 Dicke ..... D10/114.1



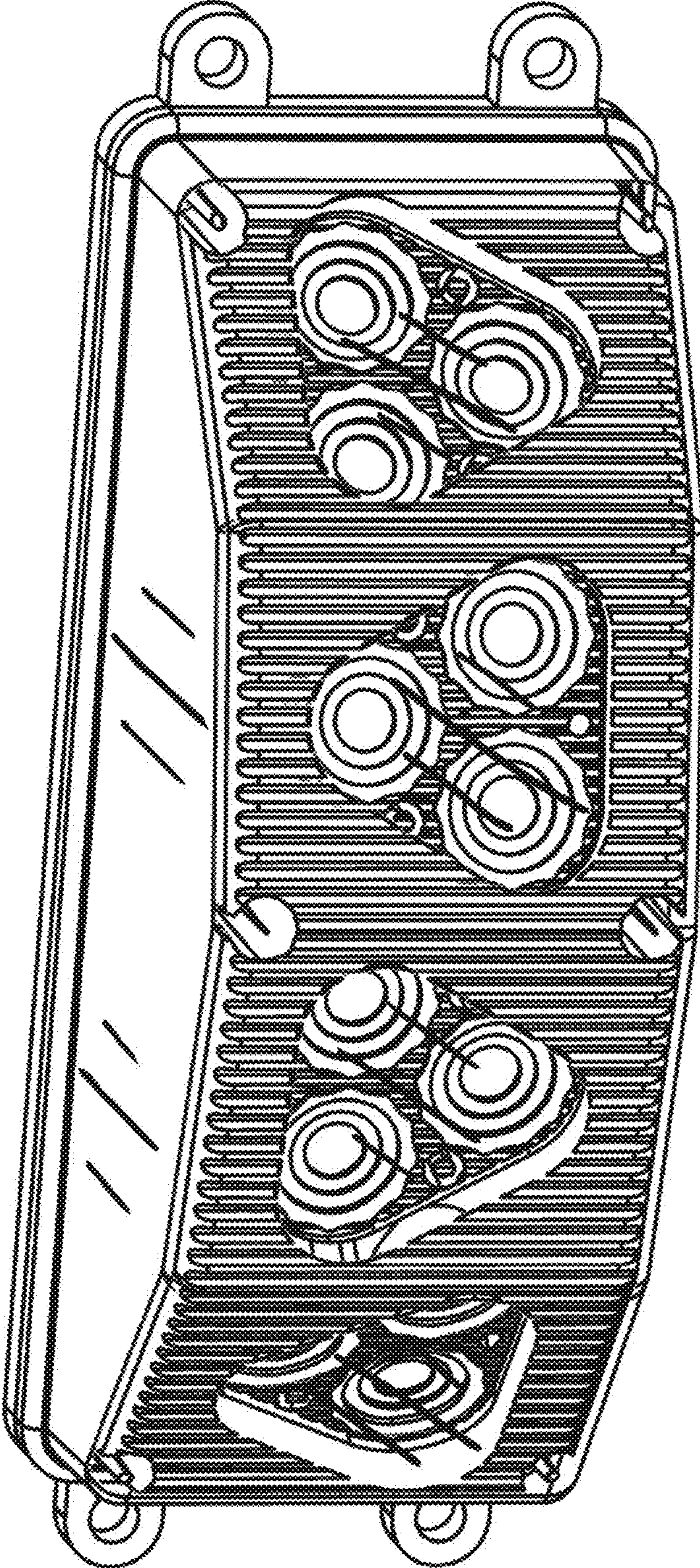


FIG. 1

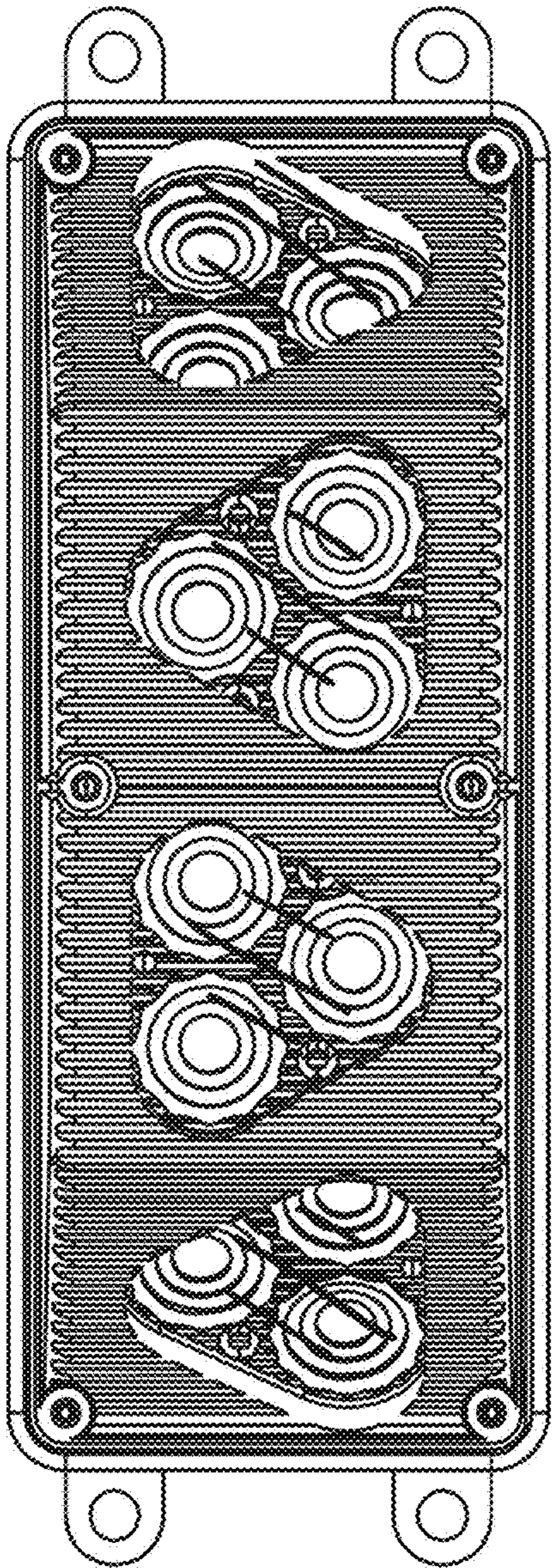


FIG. 2

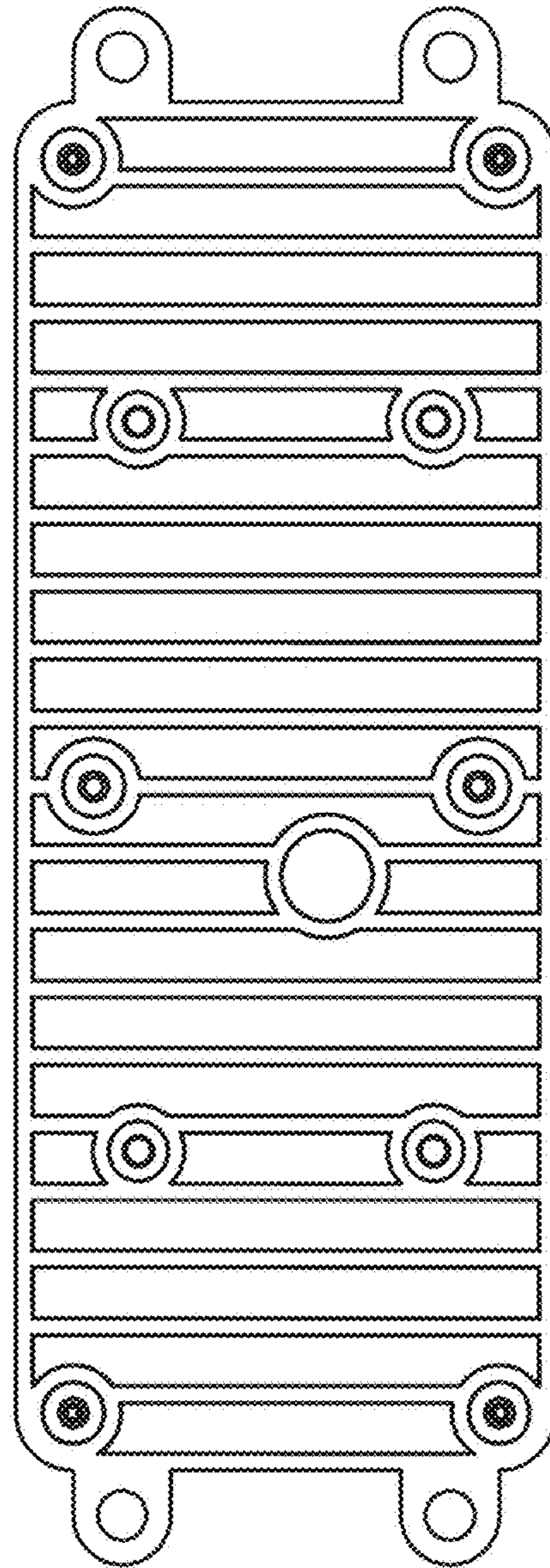


FIG. 3

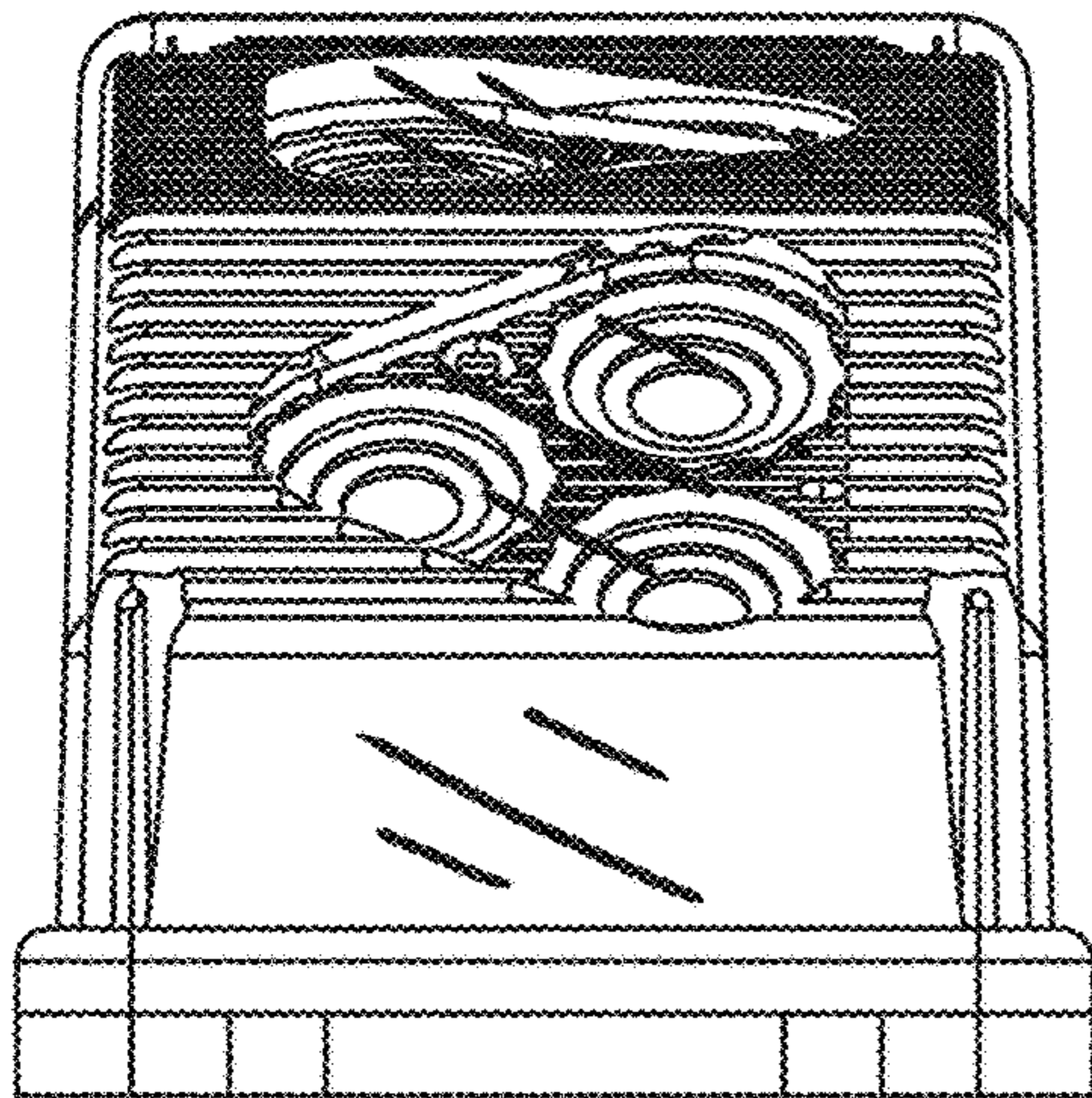


FIG. 4

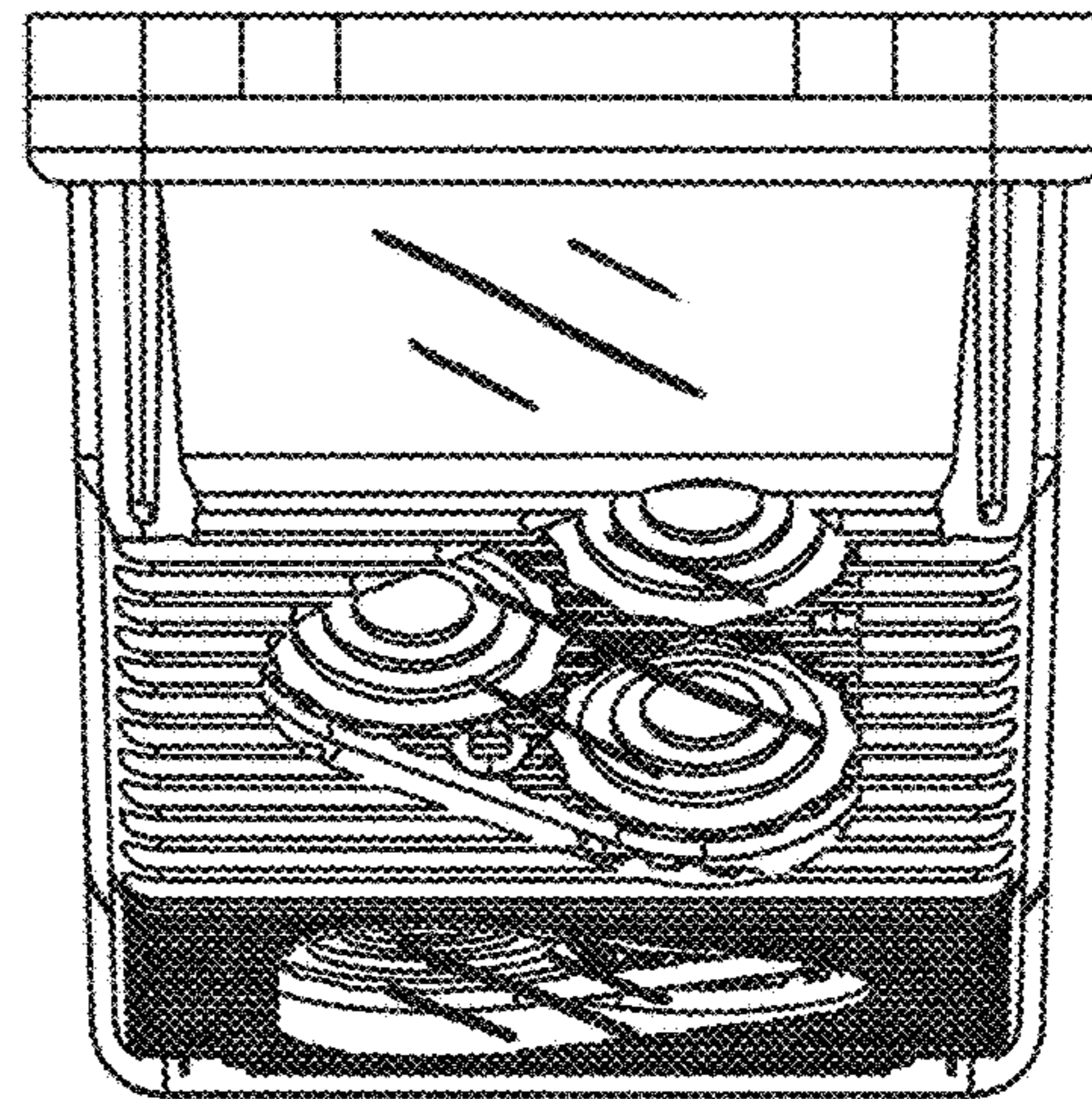


FIG. 5

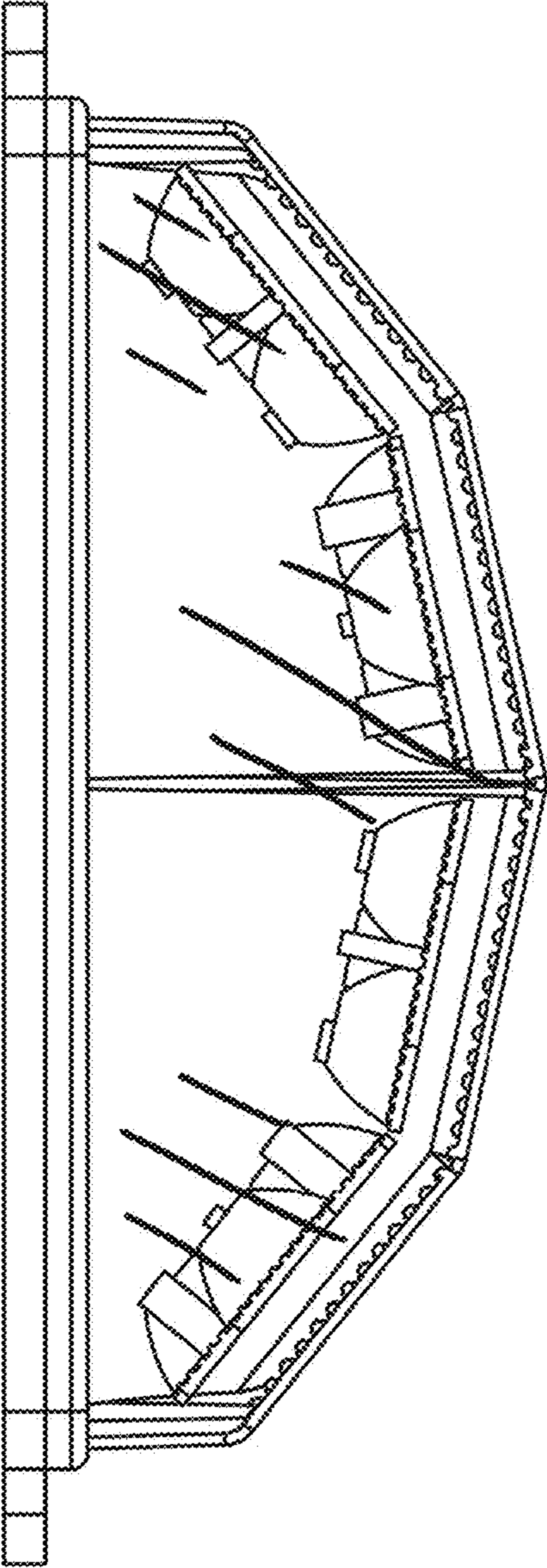


FIG. 6

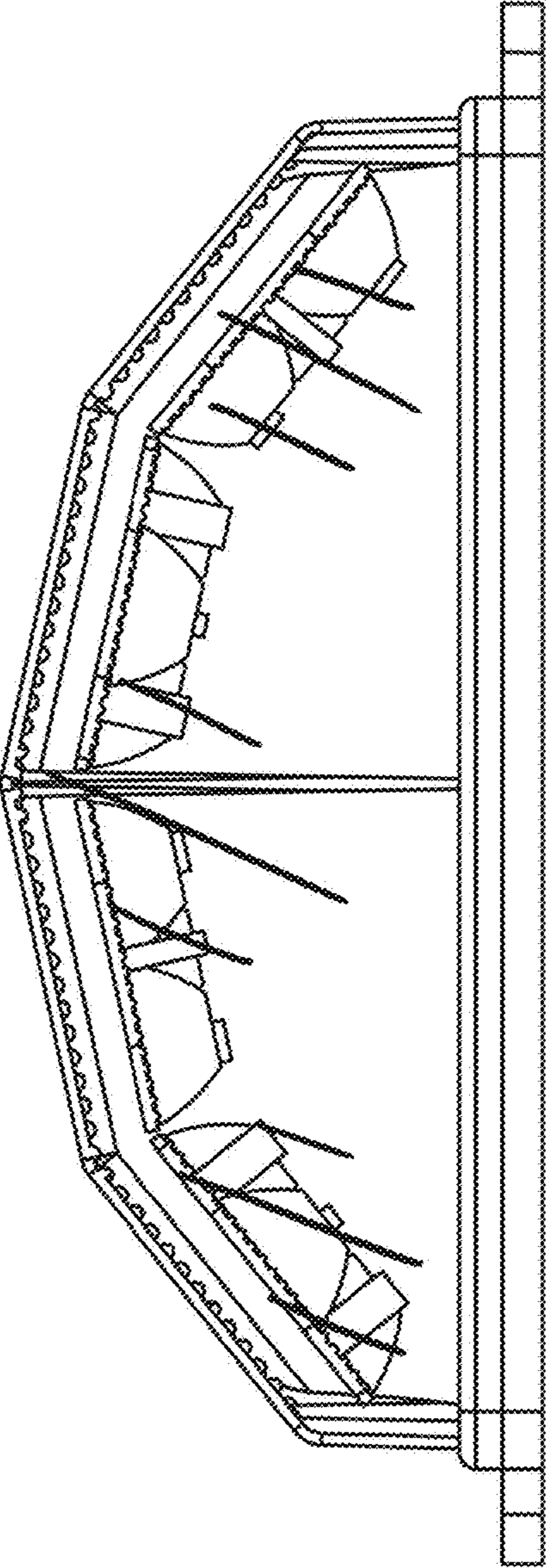


FIG. 7