



US00D779983S

(12) **United States Design Patent** (10) **Patent No.:** **US D779,983 S**
Hosseiny (45) **Date of Patent:** **** Feb. 28, 2017**

(54) **POLE DESIGN FOR A SEDIMENT SAMPLER**

(71) Applicant: **Seyed Mohammad Hossein Hosseiny**,
Houston, TX (US)

(72) Inventor: **Seyed Mohammad Hossein Hosseiny**,
Houston, TX (US)

(73) Assignee: **UNIVERSITY OF HOUSTON
SYSTEM**, Houston, TX (US)

(**) Term: **15 Years**

(21) Appl. No.: **29/533,255**

(22) Filed: **Jul. 15, 2015**

(51) **LOC (10) Cl.** **10-04**

(52) **U.S. Cl.**
USPC **D10/103**

(58) **Field of Classification Search**
USPC D10/103; D24/216
CPC ... E02D 1/04; E02D 1/06; E21B 49/00; E21B
49/02; E21B 49/025; G01N 1/08; G01N
1/085; G01N 1/12; G01N 1/1409; G01N
1/16; G01N 1/18; G01N 1/24; G01N
1/26; G01N 2001/1418; G01N
2001/1427; G01N 2001/1436; G01N
2001/1445

See application file for complete search history.

(56) **References Cited**

U.S. PATENT DOCUMENTS

D723,180 S * 2/2015 Klein D24/216

OTHER PUBLICATIONS

Colette Griffith and Kristy J. Hendrickson to Carl Bach, Jun. 20, 2011, Landau Associates Technical Memorandum re Bed Load Sampling and Analysis Results, Short-Term Stormwater Treatment, North Boeing Field, Seattle, Washington.

Francalanci, S., E. Paris, and L. Solari (2013), A combined field sampling-modeling approach for computing sediment transport during flash floods in a gravel-bed stream, *Water Resour. Res.*, 49, 6642-6655, doi: 10.1002/wrcr.20544.

Emmett, William W., and Geological Survey (U.S.). *A Field Calibration of the Sediment-trapping Characteristics of the Helley-Smith Bedload Sampler*. [Reston, Va.] : Washington: Dept. of the Interior, Geological Survey, 1980.

(Continued)

Primary Examiner — Antoine D Davis

(74) *Attorney, Agent, or Firm* — Winstead PC

(57) **CLAIM**

I claim the ornamental design for a pole design for a sediment sampler, as shown and described.

DESCRIPTION

FIG. 1 shows a perspective view of a pole design for a sediment sampler;

FIG. 2 shows a rear side view of a pole design;

FIG. 3 shows a front view of a pole design;

FIG. 4 shows a right side view of a bottom section of a pole design;

FIG. 5 shows a left side view of a bottom section of a pole design;

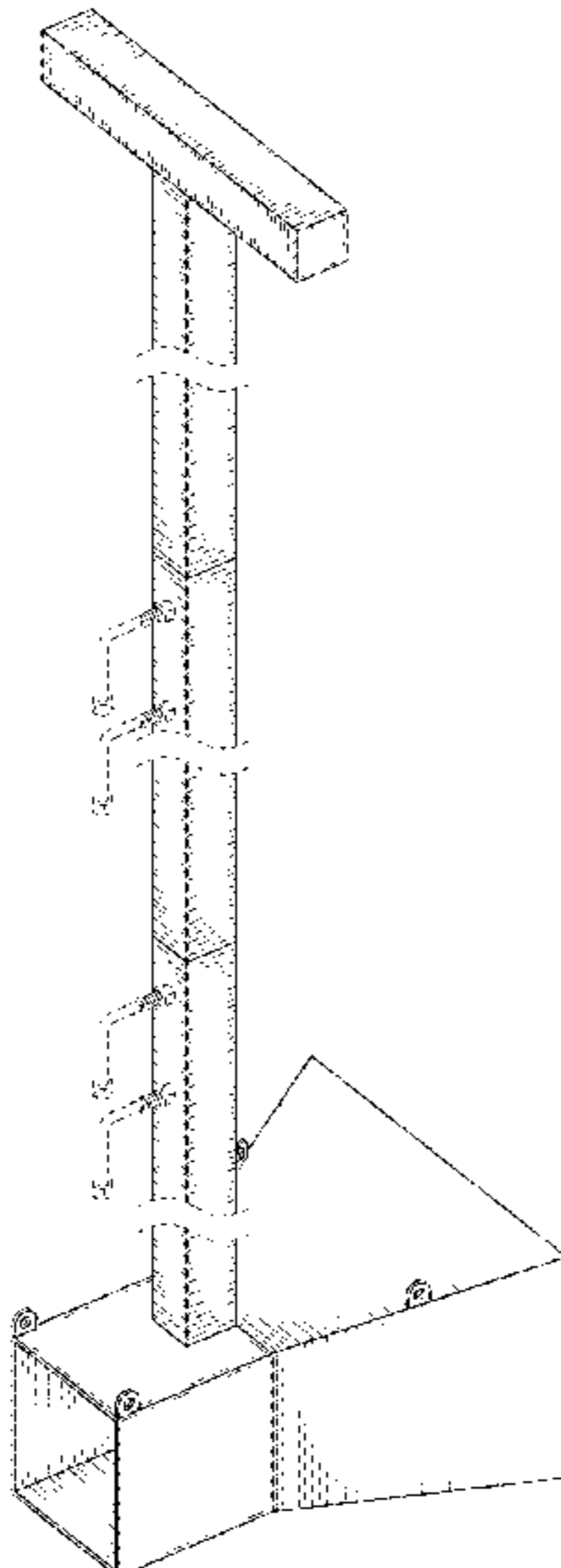
FIG. 6 shows a top view of a pole design;

FIG. 7 shows a bottom view of a pole design; and,

FIG. 8 shows an unassembled view of a T-bar, middle section, and bottom section of a pole design.

The dashed lines are for the purpose of illustrating portions of a pole design for a sediment sampler and form no part of the claimed design. The dotted lines on the surface portions indicate contour and not surface decoration. The article is shown with symbolic breaks in its length. The appearance of any portion of the article between the break lines forms no part of the claimed design.

1 Claim, 5 Drawing Sheets



(56)

References Cited

OTHER PUBLICATIONS

Potyondy, John P., Bunte, Kristin et al., Bedload Movement in Mountain Channels: Insights Gained from the Use of Portable Bedload Traps, 2nd Joint Federal Interagency Conference, Las Vegas, NV, Jun. 27-Jul. 1, 2010.

Bunte, Kristin et al., A Comparison of Coarse Bedload Transport Measured with Bedload Traps and Helley Smith Samplers. *Geodinamica Acta*. 21(1-2): 53-66.

* cited by examiner

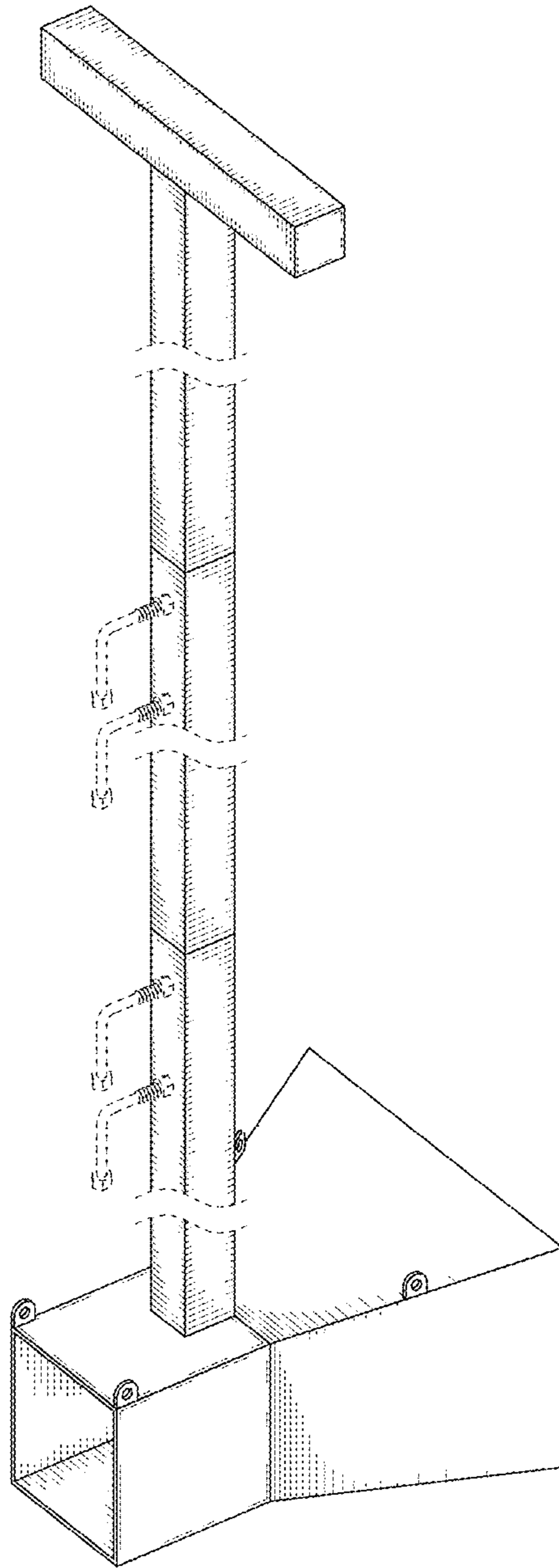


FIG. 1

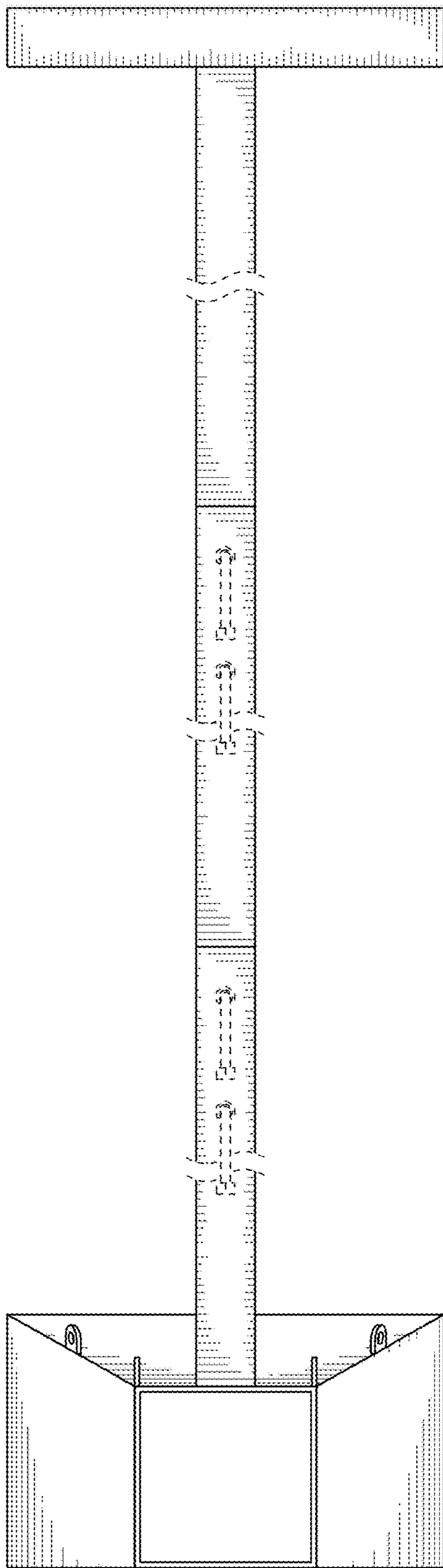


FIG. 2

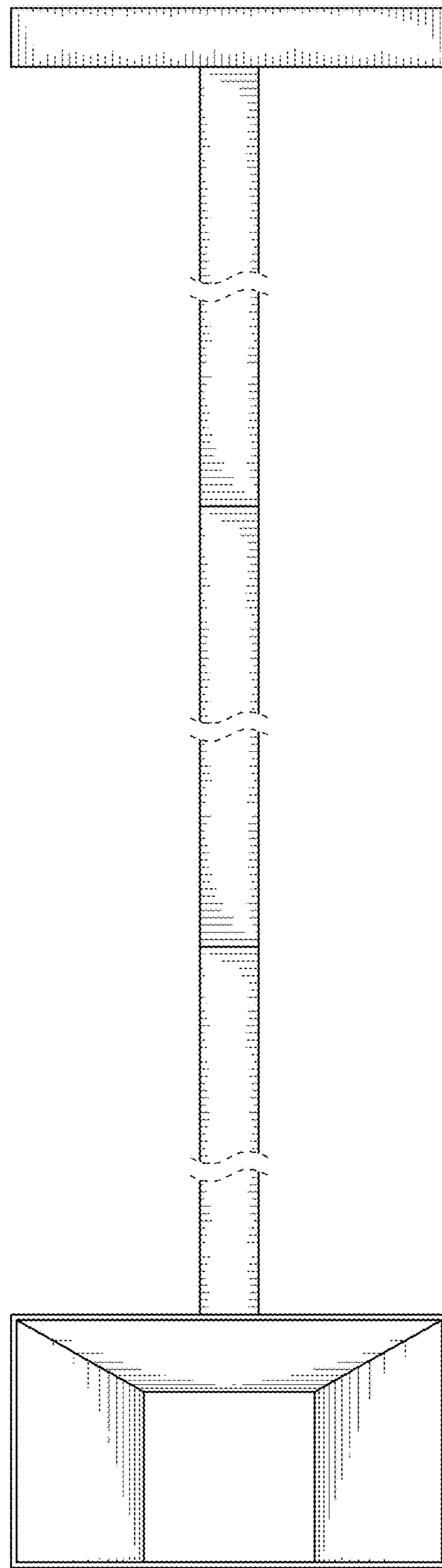


FIG. 3

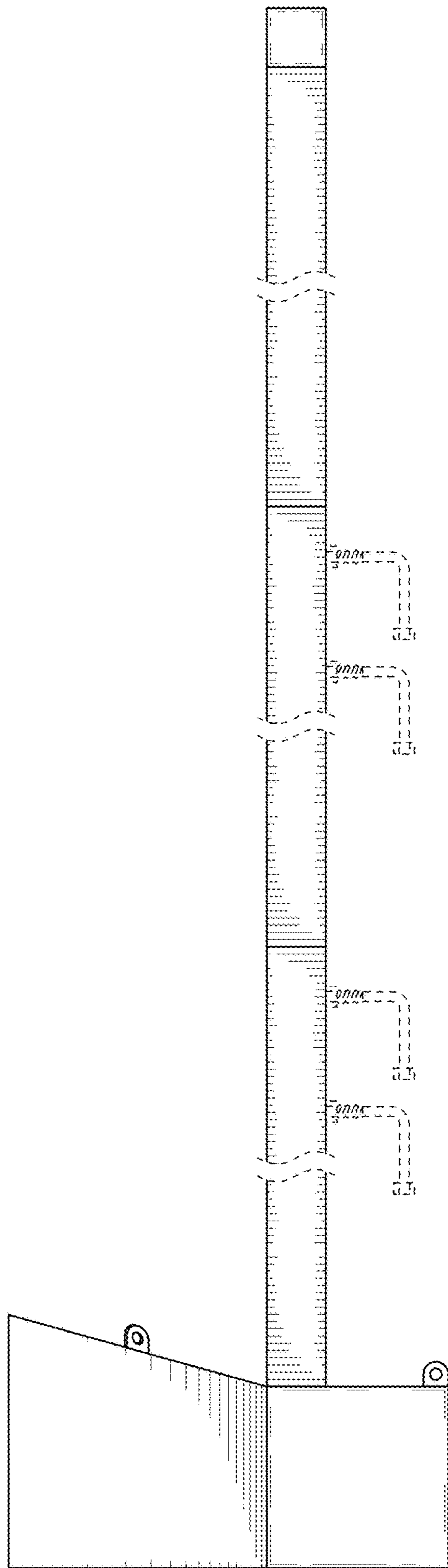


FIG. 4

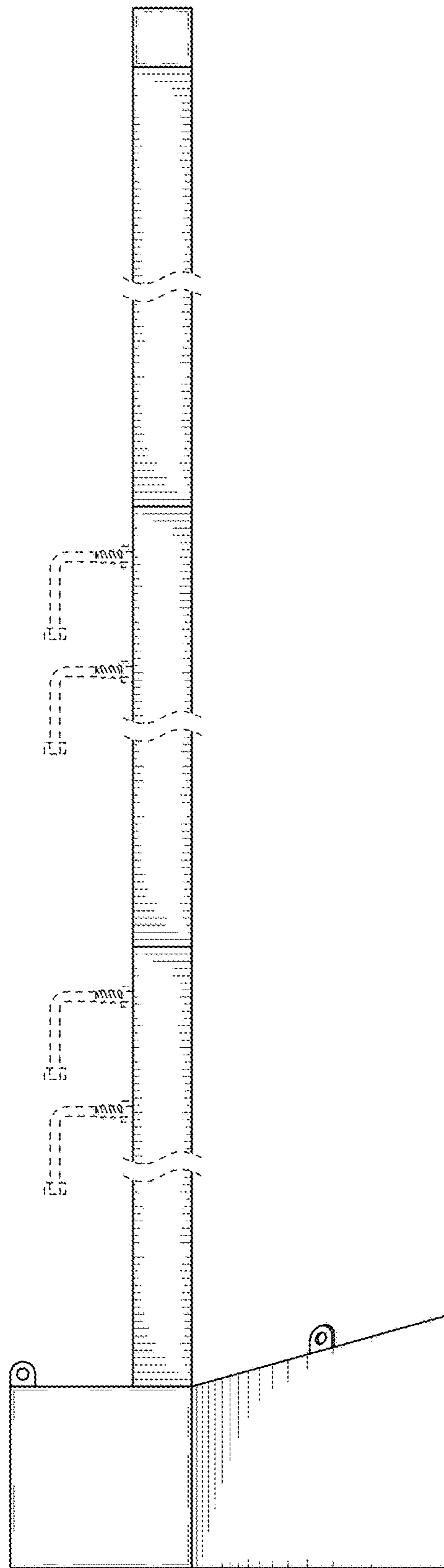


FIG. 5

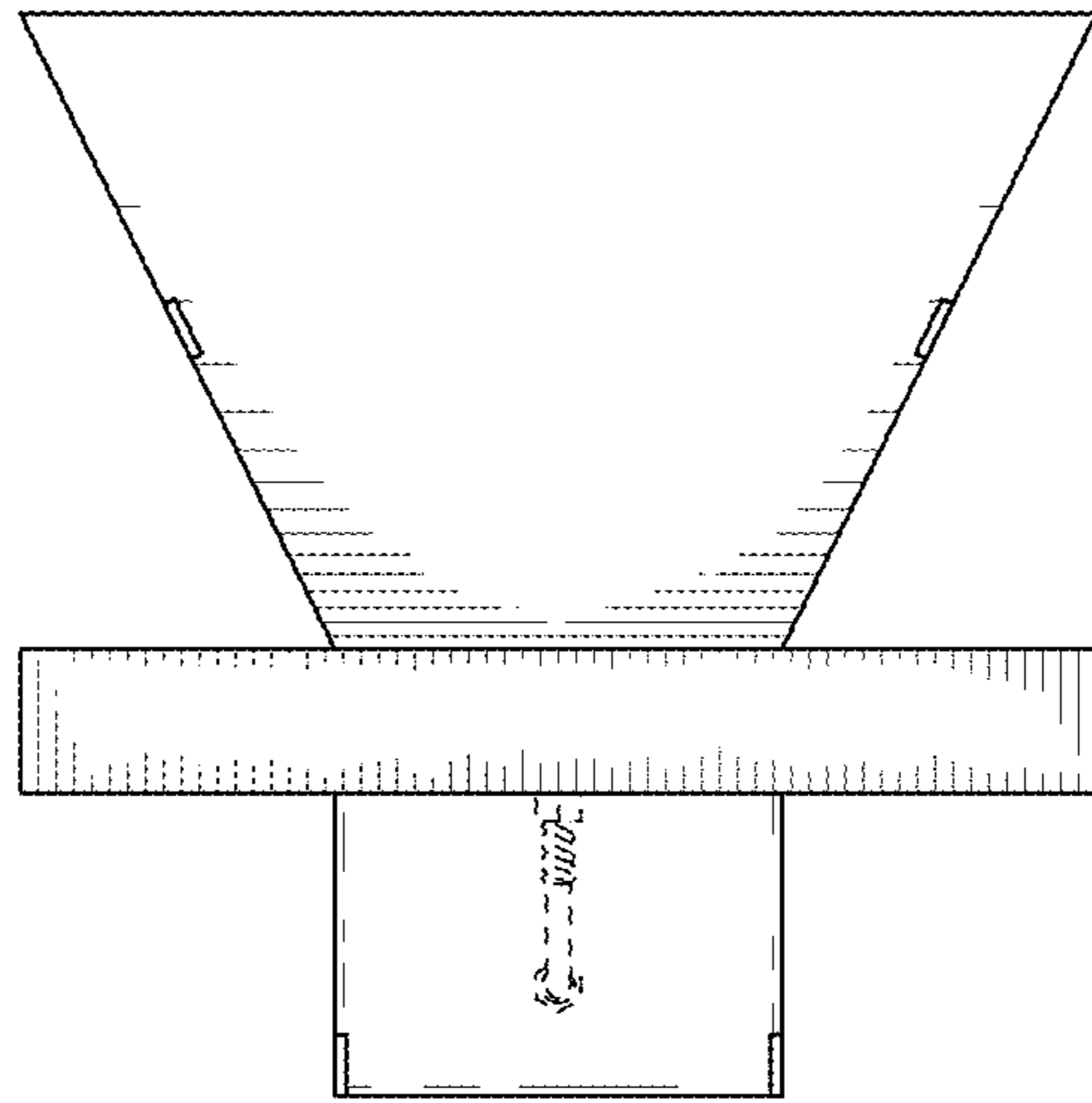


FIG. 6

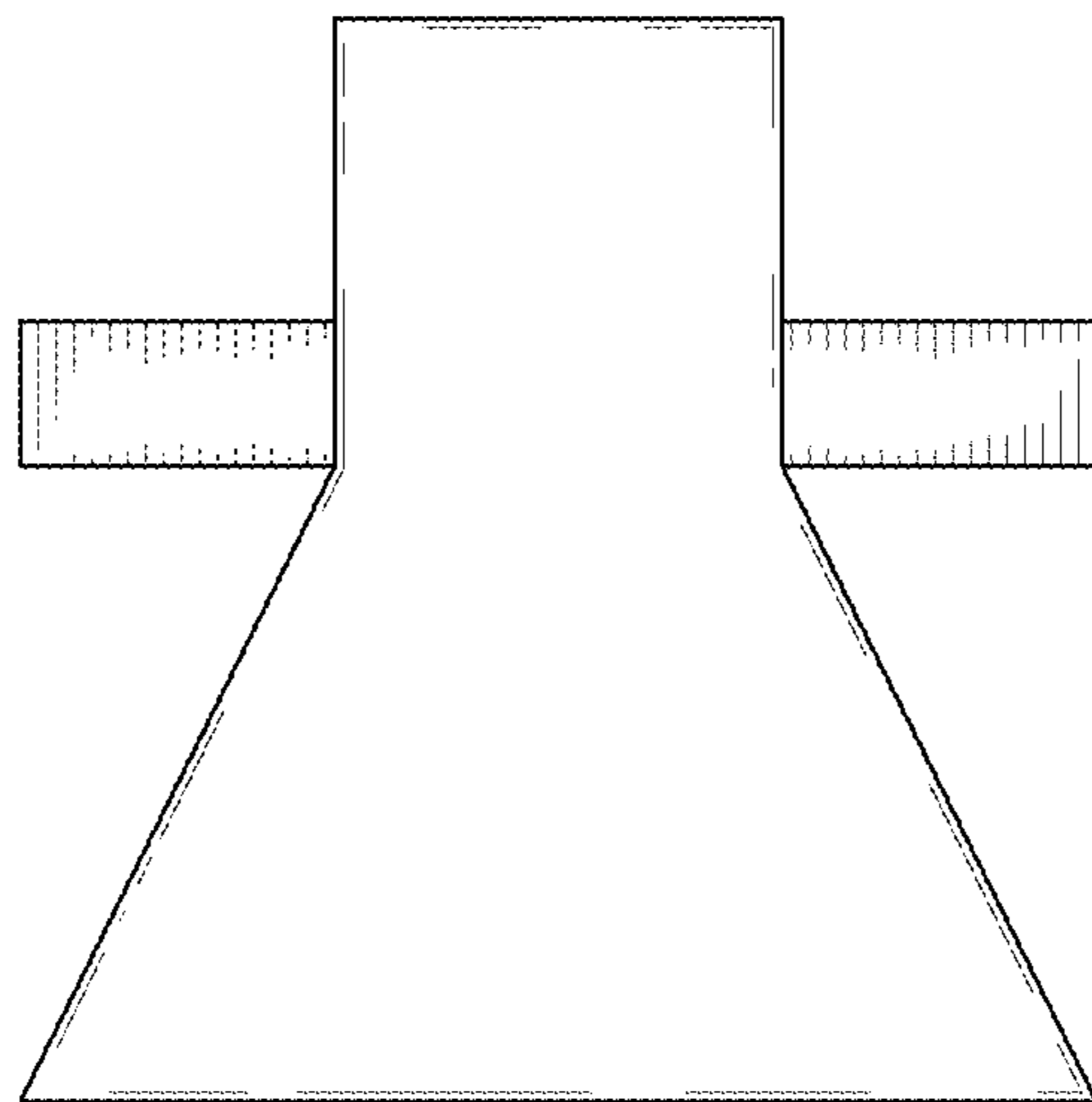


FIG. 7

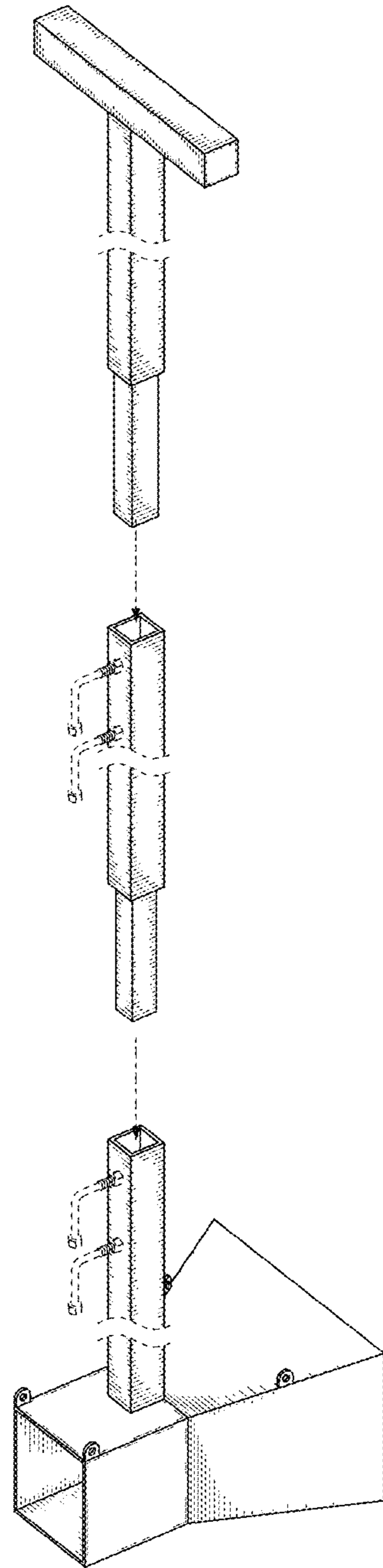


FIG. 8