



US00D779982S

(12) **United States Design Patent**  
**Madrid**

(10) **Patent No.:** **US D779,982 S**

(45) **Date of Patent:** **\*\* Feb. 28, 2017**

(54) **HANDGUN PROXIMITY SENSOR WITH GLOBAL POSITIONING SYSTEM (GPS) TRACKING**

8,127,657 B2 \* 3/2012 Gorali ..... F41A 17/06  
42/70.04

\* cited by examiner

(71) Applicant: **Safety Trace, LLC**, Weslaco, TX (US)

*Primary Examiner* — Antoine D Davis

(72) Inventor: **Jack Fredrick Madrid**, Rancho Cucamonga, CA (US)

(74) *Attorney, Agent, or Firm* — Griffith Bates Champion & Harper LLP; Scott L. Harper

(73) Assignee: **Safety Trace, LLC**, Weslaco, TX (US)

(57) **CLAIM**

(\*\*) Term: **15 Years**

The ornamental design for handgun proximity sensor with global positioning system (GPS) tracking, as shown and described.

(21) Appl. No.: **29/540,549**

**DESCRIPTION**

(22) Filed: **Sep. 25, 2015**

(51) **LOC (10) Cl.** ..... **10-04**

(52) **U.S. Cl.**  
USPC ..... **D10/70; D22/108**

(58) **Field of Classification Search**  
USPC ..... D10/70; D22/108  
CPC ..... F41A 17/06; F41A 17/063  
See application file for complete search history.

FIG. 1 is a perspective view of a handgun proximity sensor with global positioning system (GPS) tracking showing my new design;  
FIG. 2 is a front elevational view thereof;  
FIG. 3 is a rear elevational view thereof;  
FIG. 4 is a left side elevational view thereof;  
FIG. 5 is a right side elevational view thereof;  
FIG. 6 is a top plan view thereof; and,  
FIG. 7 is a bottom plan view thereof.

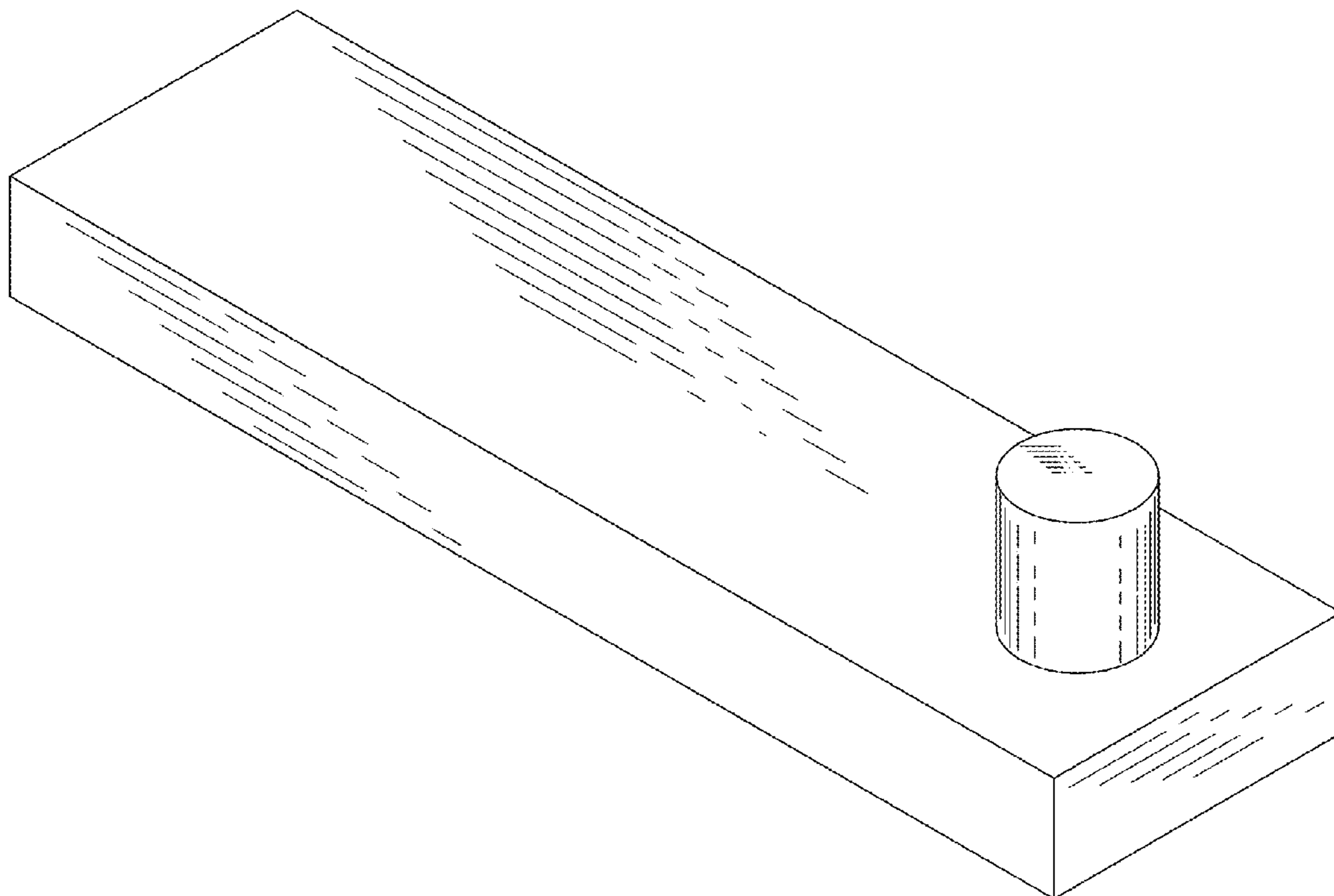
The broken line showing a micro universal serial bus (USB) port in FIG. 4 is included for the purpose of illustrating environmental structure and forms no part of the claimed design.

(56) **References Cited**

**U.S. PATENT DOCUMENTS**

- 5,461,812 A \* 10/1995 Bennett ..... F41A 17/063  
42/70.06
- 7,281,397 B2 \* 10/2007 Victor ..... E05B 73/00  
42/70.01

**1 Claim, 7 Drawing Sheets**



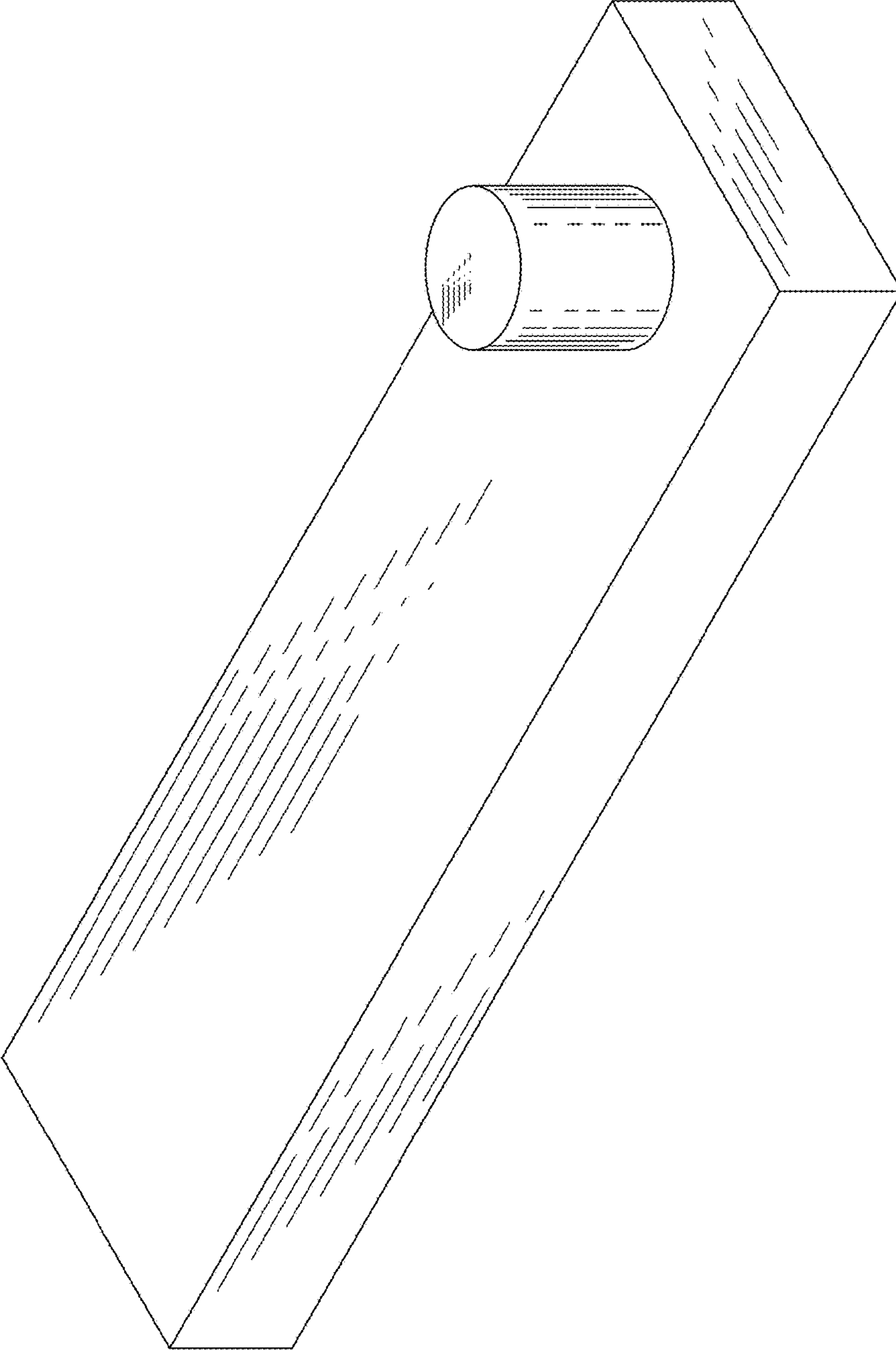


FIG. 1



FIG. 2

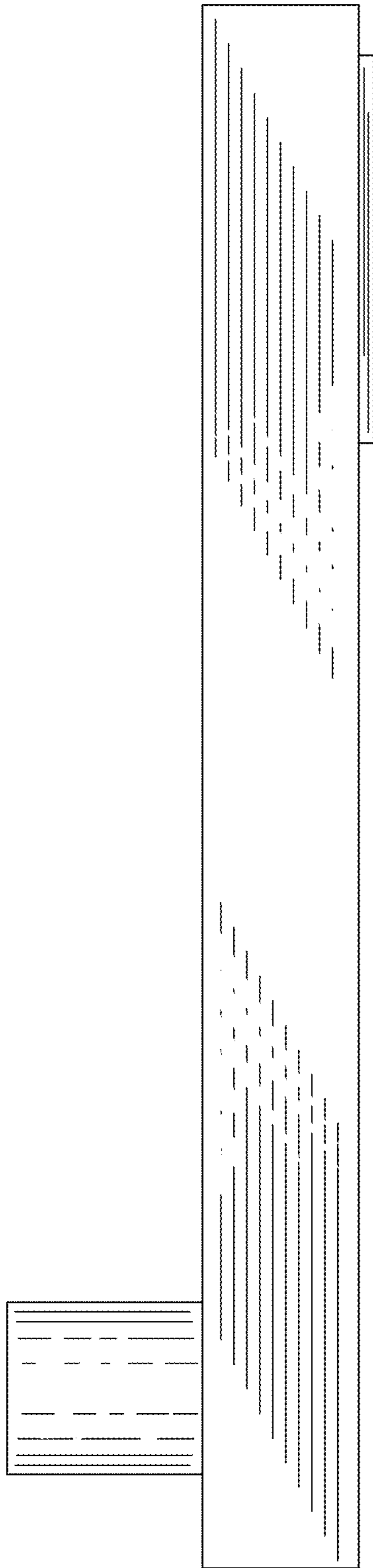


FIG. 3

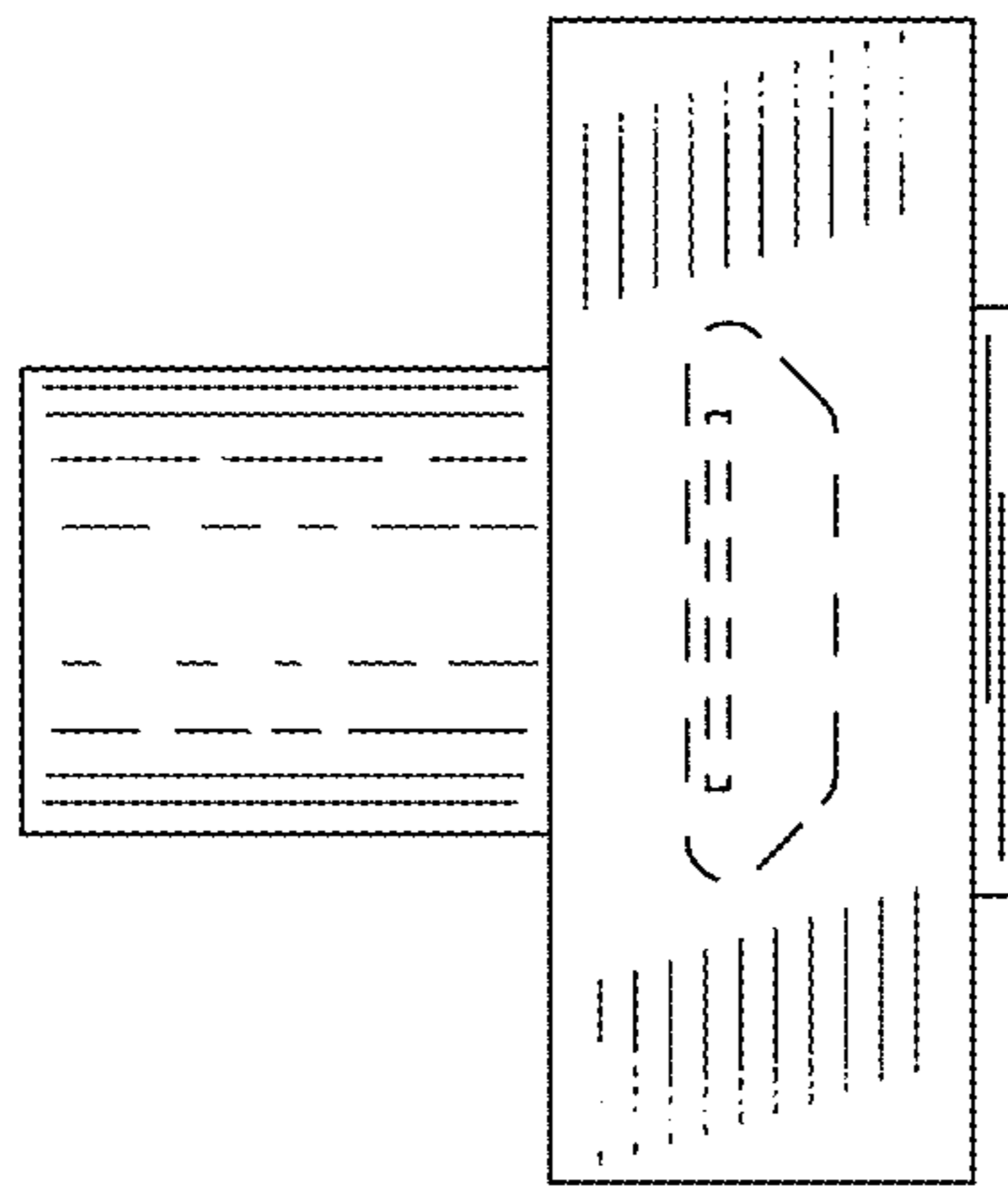


FIG. 4

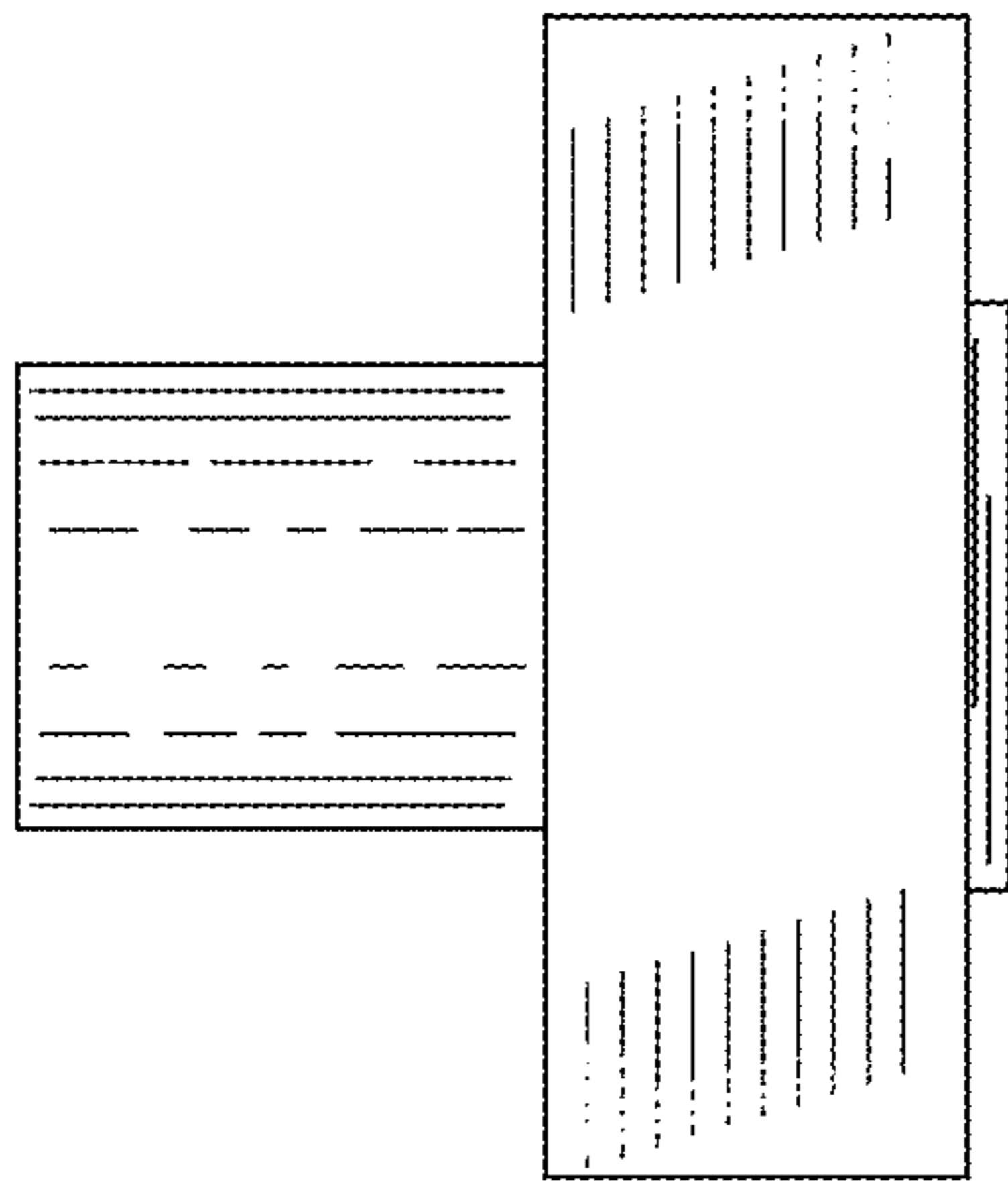


FIG. 5

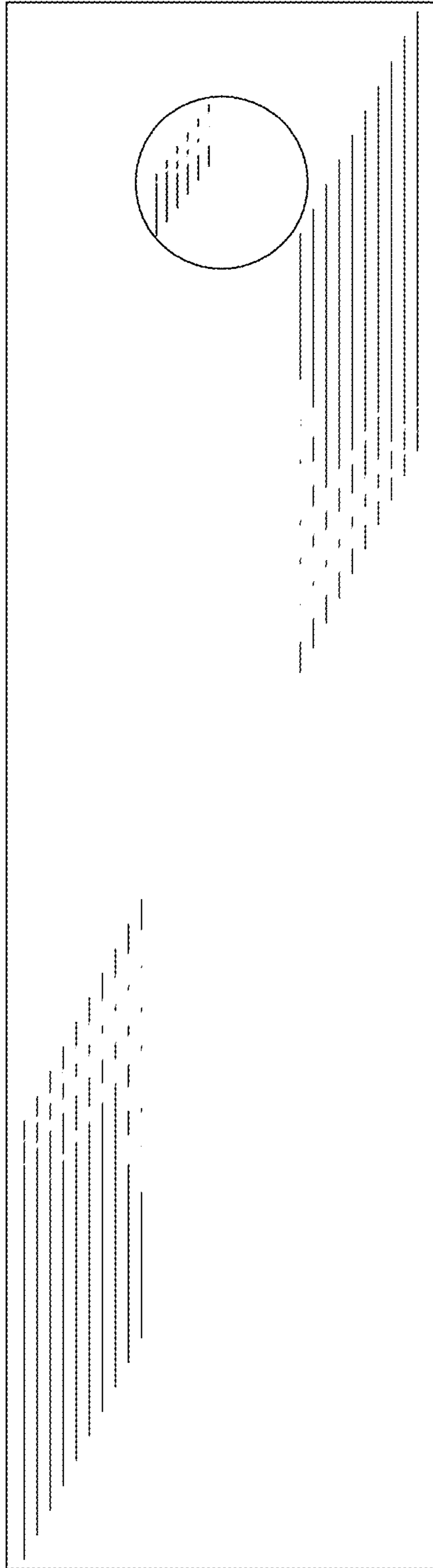


FIG. 6

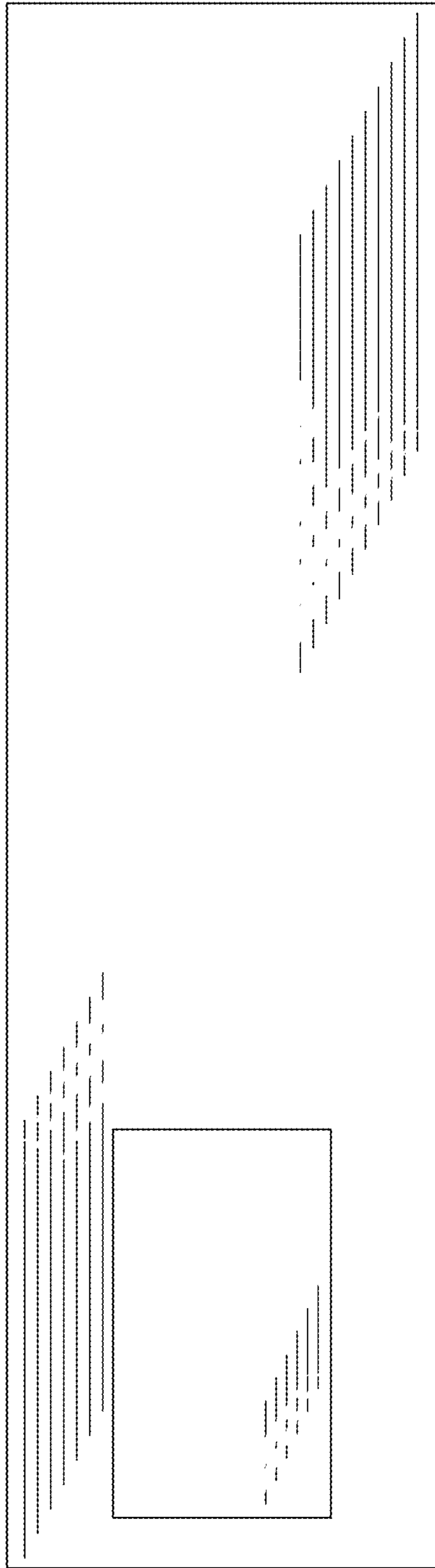


FIG. 7