



US00D779981S

(12) **United States Design Patent** (10) **Patent No.:** **US D779,981 S**
Kobayashi et al. (45) **Date of Patent:** **** Feb. 28, 2017**

- (54) **LASER RANGE FINDER**
 - (71) Applicant: **Nikon Vision Co., Ltd.**, Tokyo (JP)
 - (72) Inventors: **Yuki Kobayashi**, Tokyo (JP); **Kenji Abe**, Kawasaki (JP); **Tomohiro Hoshi**, Tokyo (JP)
 - (73) Assignee: **Nikon Vision Co., Ltd.**, Tokyo (JP)
 - (**) Term: **15 Years**
 - (21) Appl. No.: **29/538,356**
 - (22) Filed: **Sep. 2, 2015**
 - (51) **LOC (10) Cl.** **10-04**
 - (52) **U.S. Cl.**
USPC **D10/70; D16/130**
 - (58) **Field of Classification Search**
USPC **D10/766, 70**
- (Continued)

- (56) **References Cited**
 - U.S. PATENT DOCUMENTS
 - D371,084 S * 6/1996 Ogawa D10/70
 - D390,483 S * 2/1998 Zykan D10/66
- (Continued)

- FOREIGN PATENT DOCUMENTS
- CN 302503649 S 7/2013
- Primary Examiner* — Antoine D Davis
- (74) *Attorney, Agent, or Firm* — Wolf, Greenfield & Sacks, P.C.

(57) **CLAIM**
The ornamental design for a laser range finder, as shown and described.

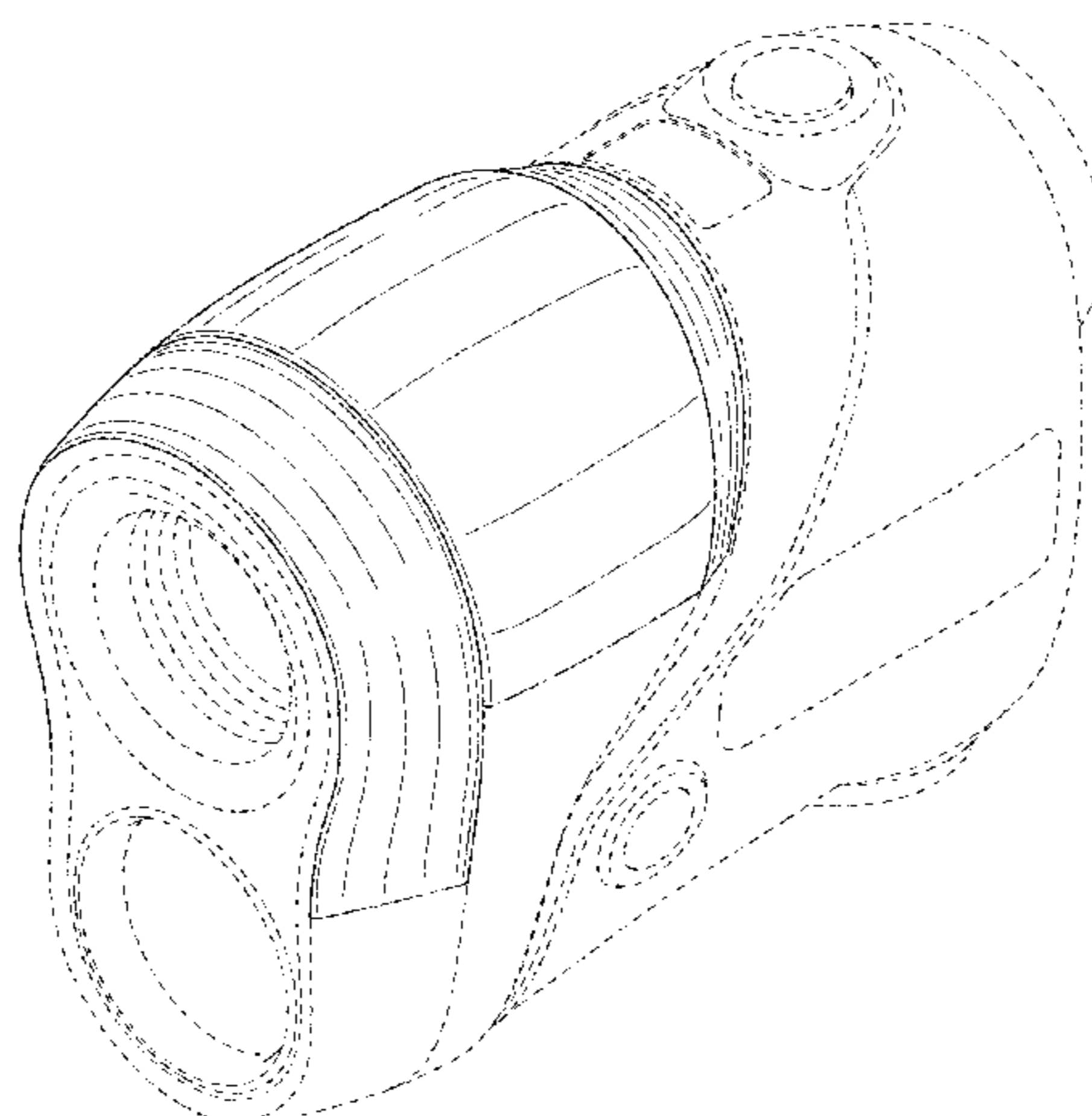
DESCRIPTION

FIG. 1 is a front, top, and left side perspective view of a first embodiment of a laser range finder showing our new design;

FIG. 2 is a rear, bottom, and right side perspective view thereof;
 FIG. 3 is a front elevational view thereof;
 FIG. 4 is a rear elevational view thereof;
 FIG. 5 is a top plan view thereof;
 FIG. 6 is a bottom plan view thereof;
 FIG. 7 is a right side elevational view thereof;
 FIG. 8 is a left side elevational view thereof;
 FIG. 9 is a front, top, and left side perspective view of a second embodiment of a laser range finder showing our new design;
 FIG. 10 is a rear, bottom, and right side perspective view thereof;
 FIG. 11 is a front elevational view thereof;
 FIG. 12 is a rear elevational view thereof;
 FIG. 13 is a top plan view thereof;
 FIG. 14 is a bottom plan view thereof;
 FIG. 15 is a right side elevational view thereof;
 FIG. 16 is a left side elevational view thereof;
 FIG. 17 is a front, top, and left side perspective view of a third embodiment of a laser range finder showing our new design;
 FIG. 18 is a rear, bottom, and right side perspective view thereof;
 FIG. 19 is a front elevational view thereof;
 FIG. 20 is a rear elevational view thereof;
 FIG. 21 is a top plan view thereof;
 FIG. 22 is a bottom plan view thereof;
 FIG. 23 is a right side elevational view thereof; and,
 FIG. 24 is a left side elevational view thereof.

The features shown in broken lines in the drawings depict environmental subject matter only and form no part of the claimed design. The dash-dotted lines denote the boundary of the claim and form no part of the claimed design.

1 Claim, 24 Drawing Sheets



(58) **Field of Classification Search**

CPC ... G01C 3/00; G01C 3/02; G01C 3/04; G01C
3/06; G01C 3/08; G01C 3/085; G01C
3/10; G01C 3/12; G01C 3/16; G01C
3/18; G01C 3/20; G01C 3/22; G01C
3/24; G01C 3/26; G01C 3/28; G01C
3/30; G01C 3/32

See application file for complete search history.

(56) **References Cited**

U.S. PATENT DOCUMENTS

D448,315 S * 9/2001 Ito D10/70
7,053,992 B2 * 5/2006 LaBelle G01S 7/497
356/5.01
D525,544 S * 7/2006 Nojima D10/70
D570,234 S * 6/2008 Hui D10/70
D579,805 S * 11/2008 Chen D10/70
7,508,497 B2 * 3/2009 LaBelle G01C 3/08
356/5.01
D611,848 S * 3/2010 Liu D10/70
7,738,082 B1 * 6/2010 Peters G01C 3/22
356/4.01
D647,159 S * 10/2011 Kobayashi D22/109
D683,374 S * 5/2013 Yokoi D16/132
D683,375 S * 5/2013 Yokoi D16/132
D683,376 S * 5/2013 Yokoi D16/132
D683,377 S * 5/2013 Yokoi D16/132
D683,378 S * 5/2013 Yokoi D16/132
D716,858 S * 11/2014 Kobayashi D16/132
D723,080 S * 2/2015 Kobayashi D16/132
9,062,970 B2 * 6/2015 Perger G01C 3/04

* cited by examiner

FIG. 1

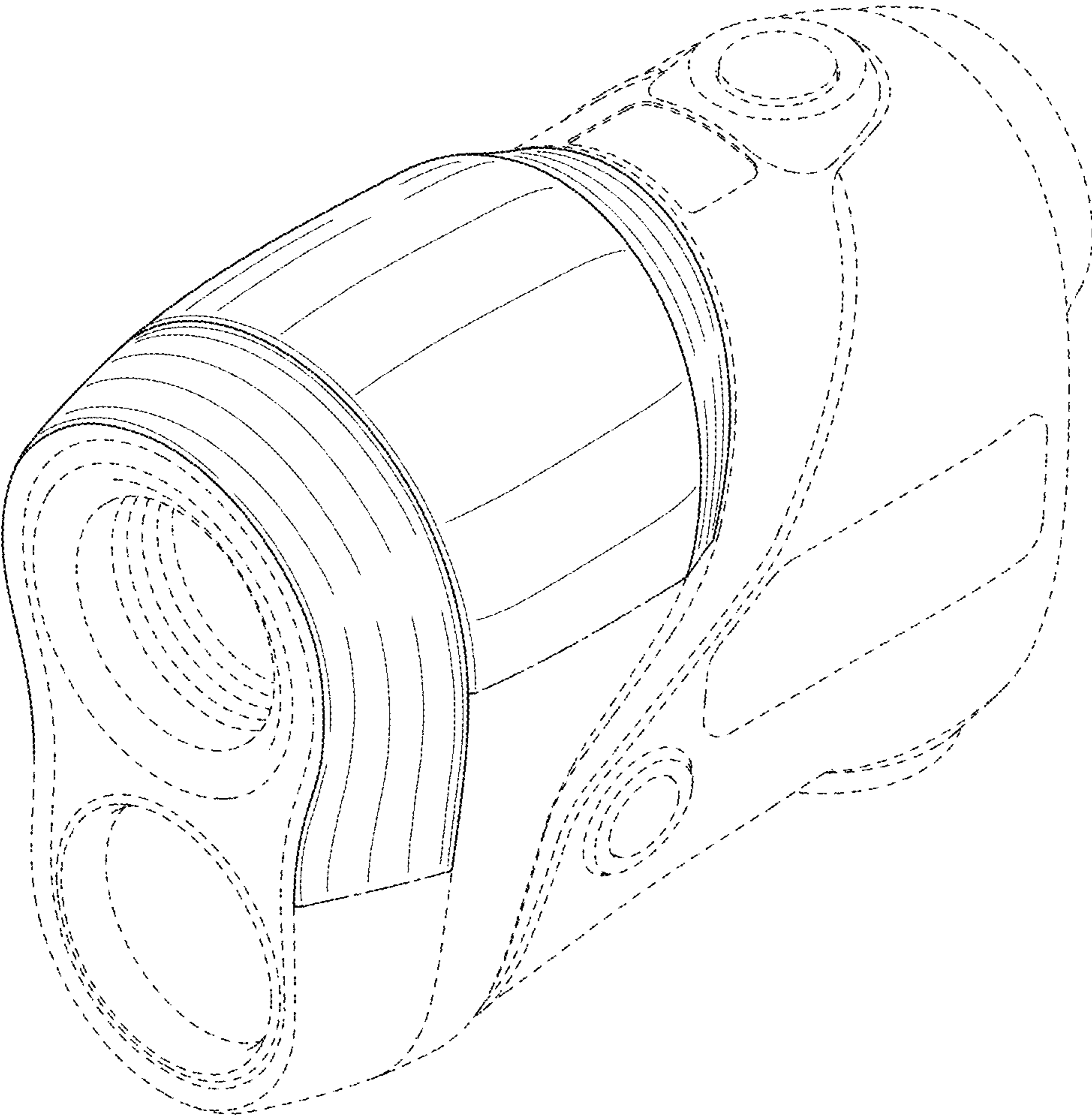


FIG. 2

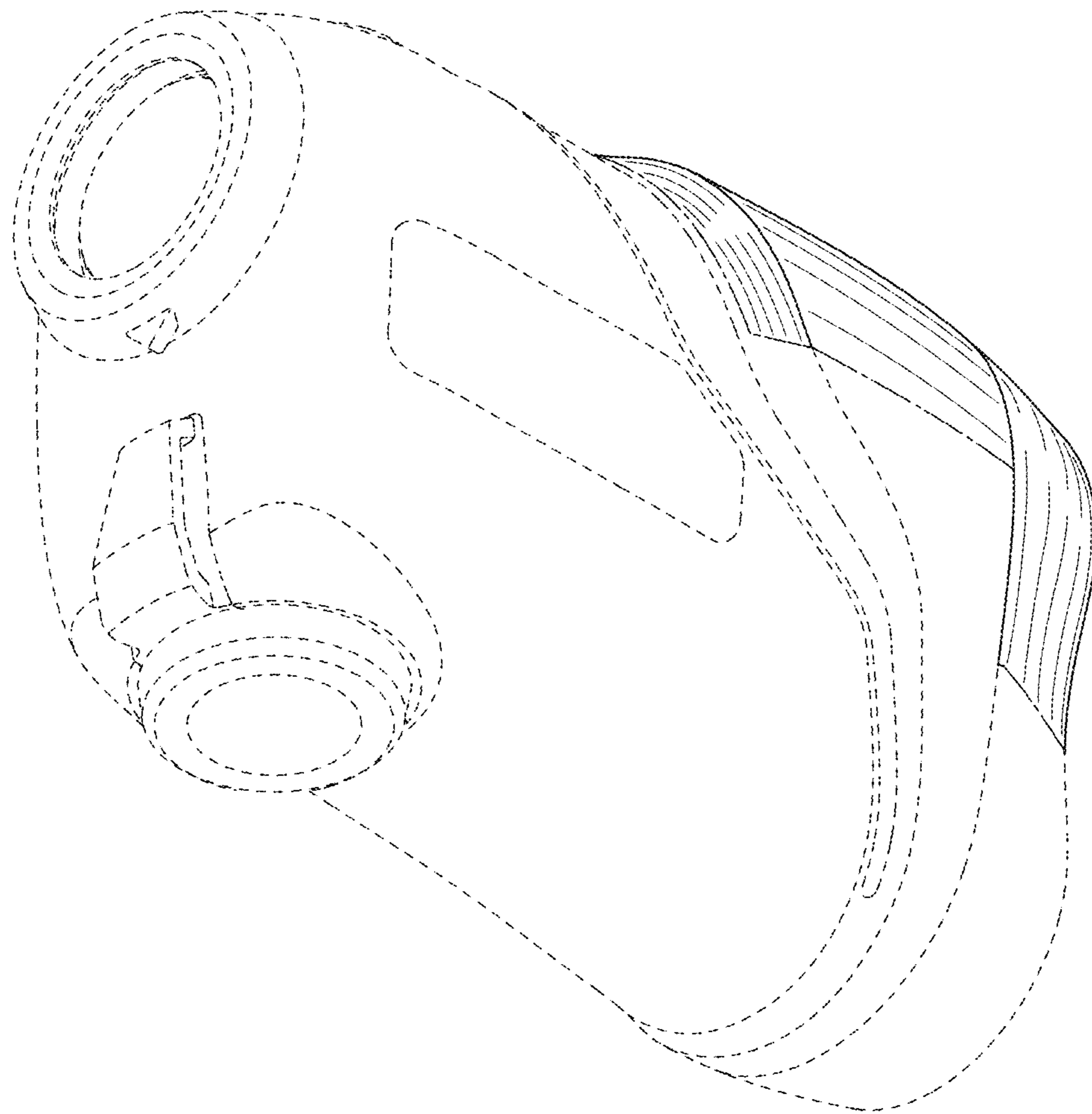


FIG. 3

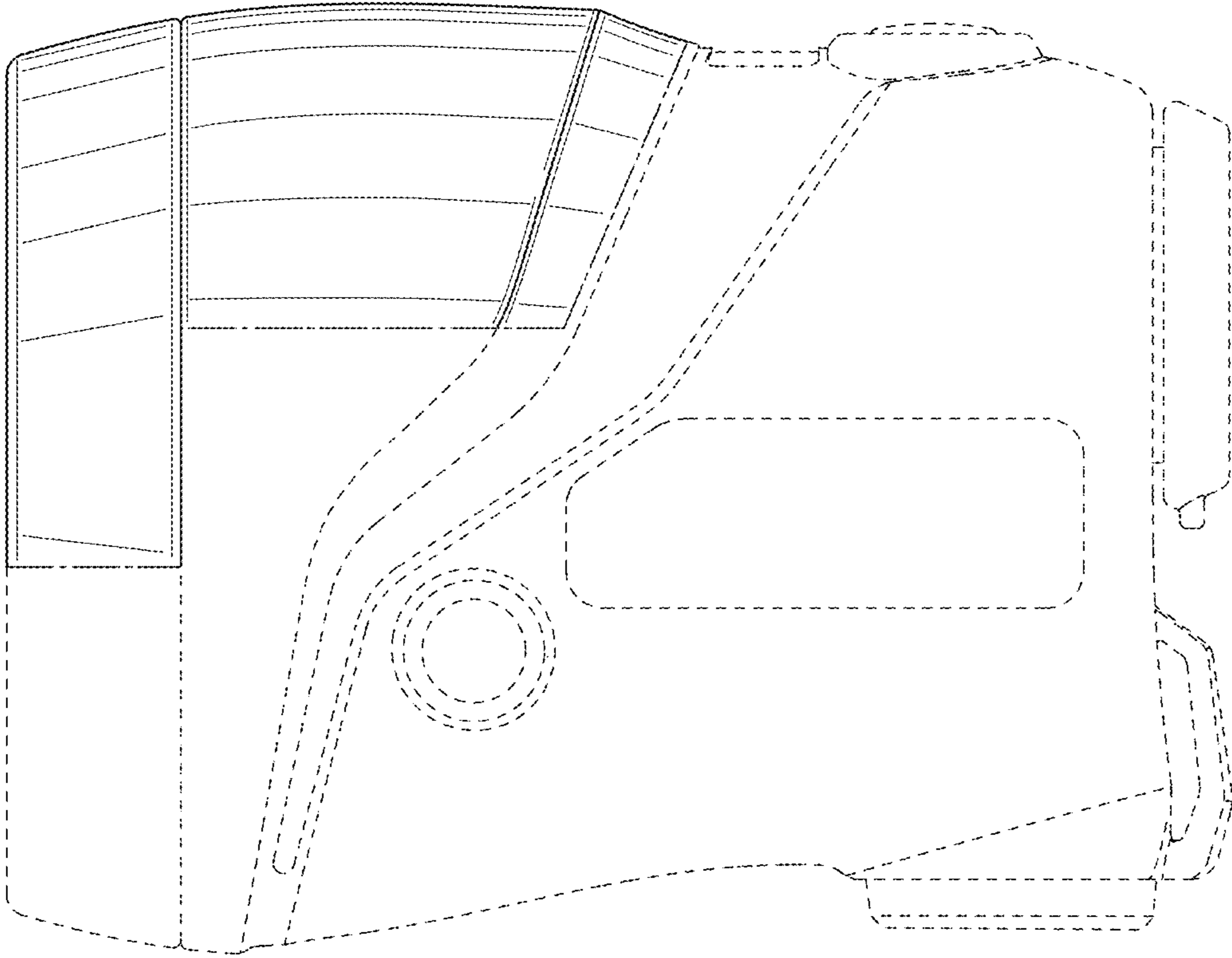


FIG. 4

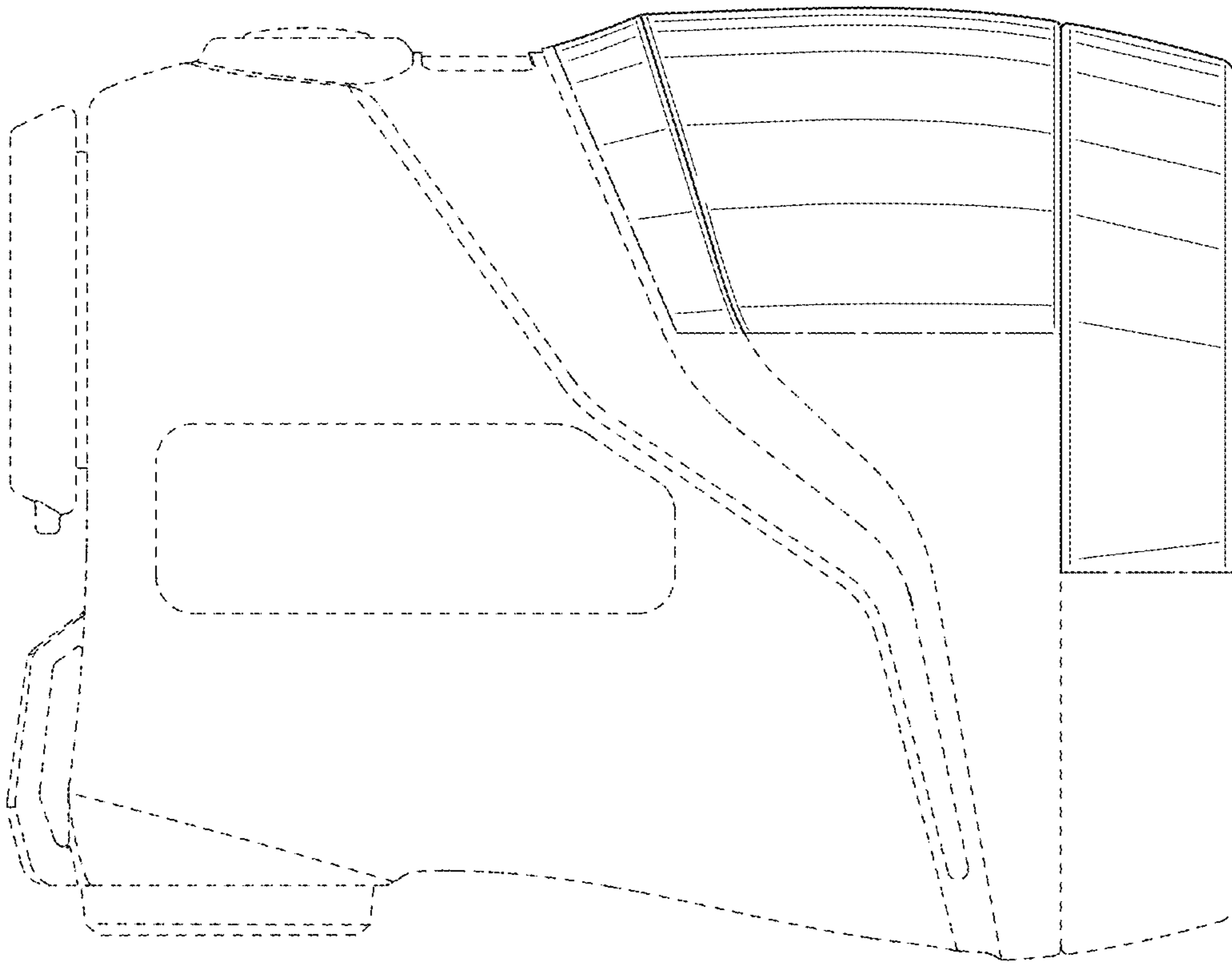


FIG. 5

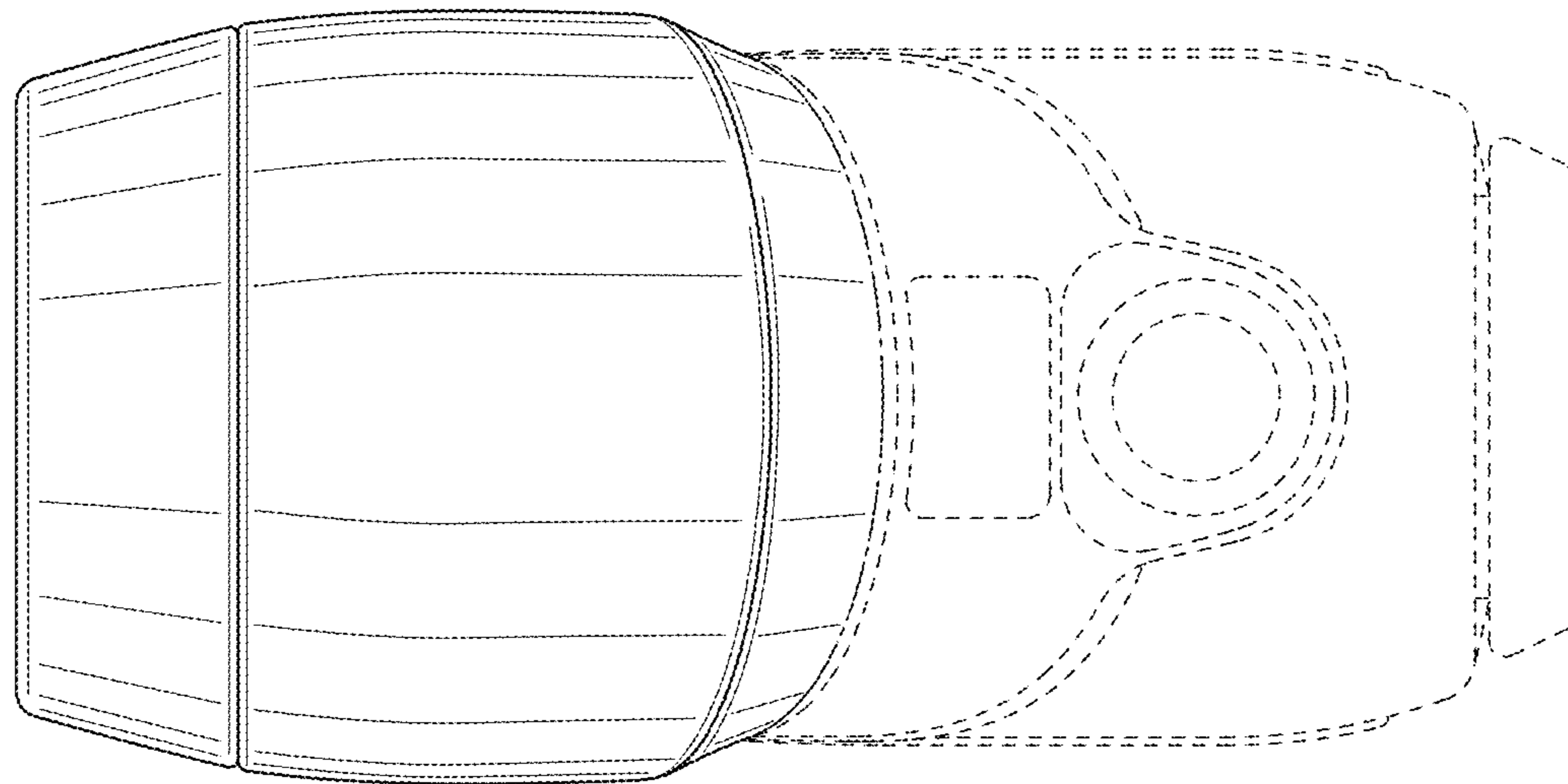


FIG. 6

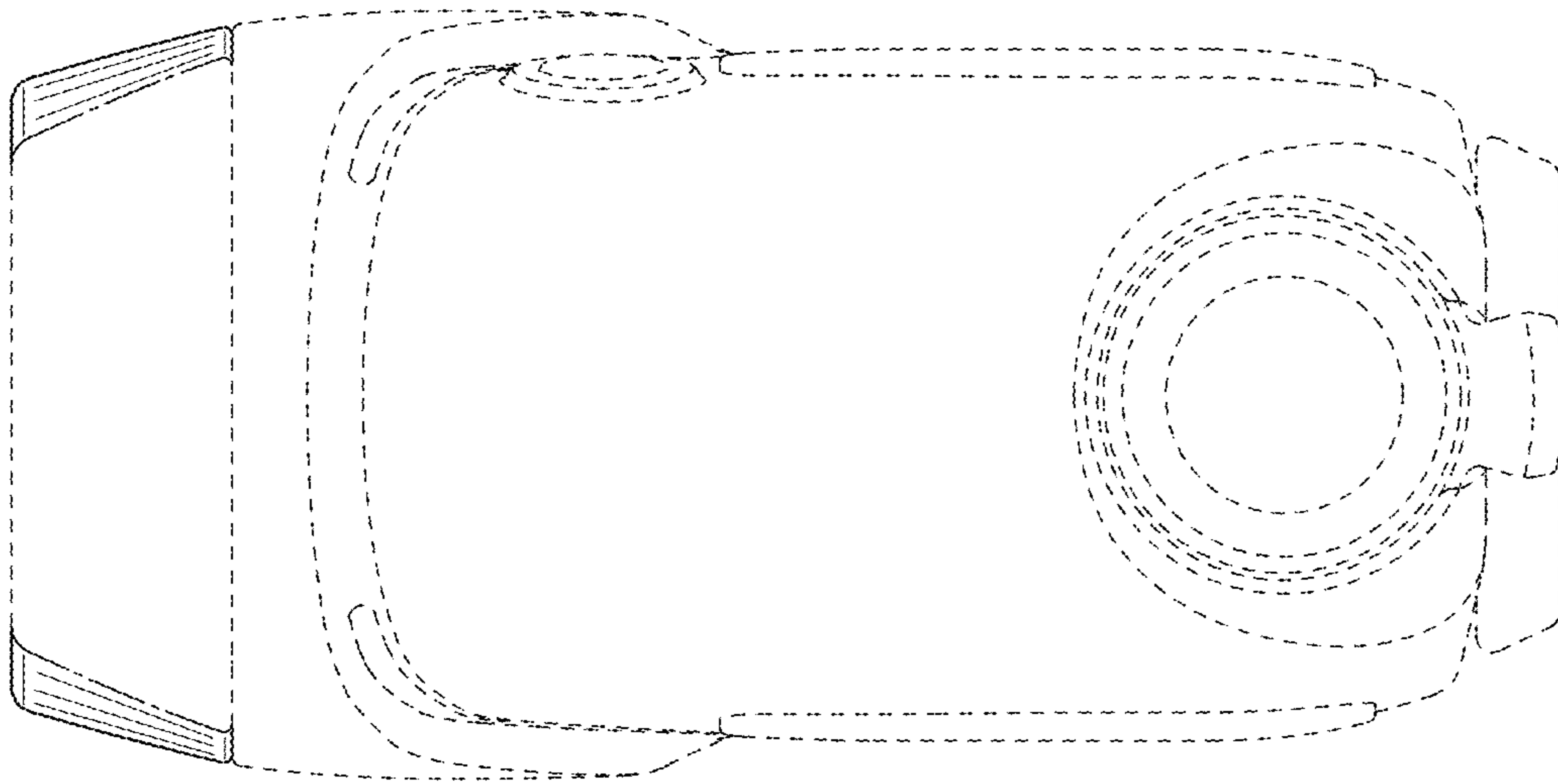


FIG. 7

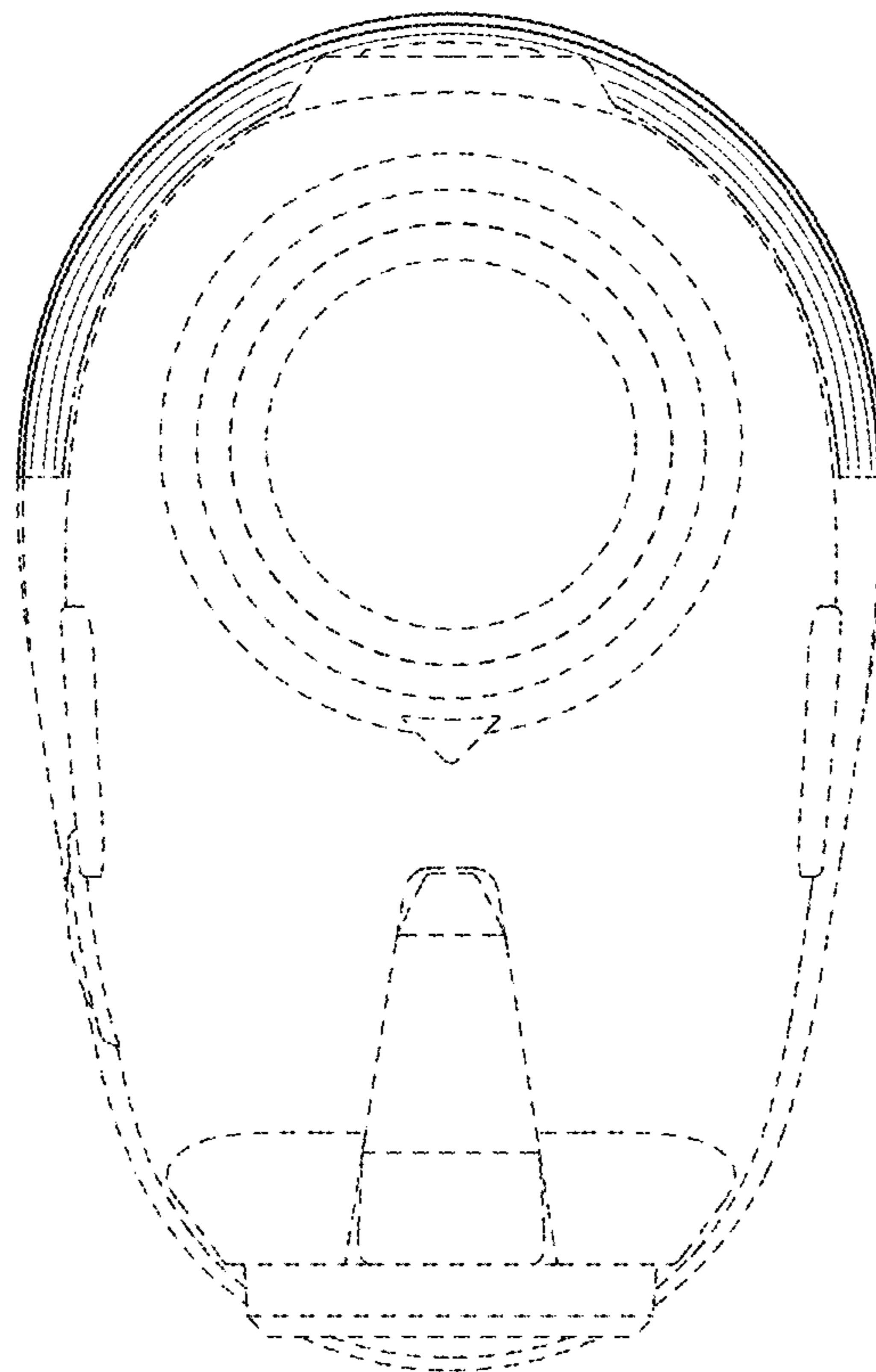


FIG. 8

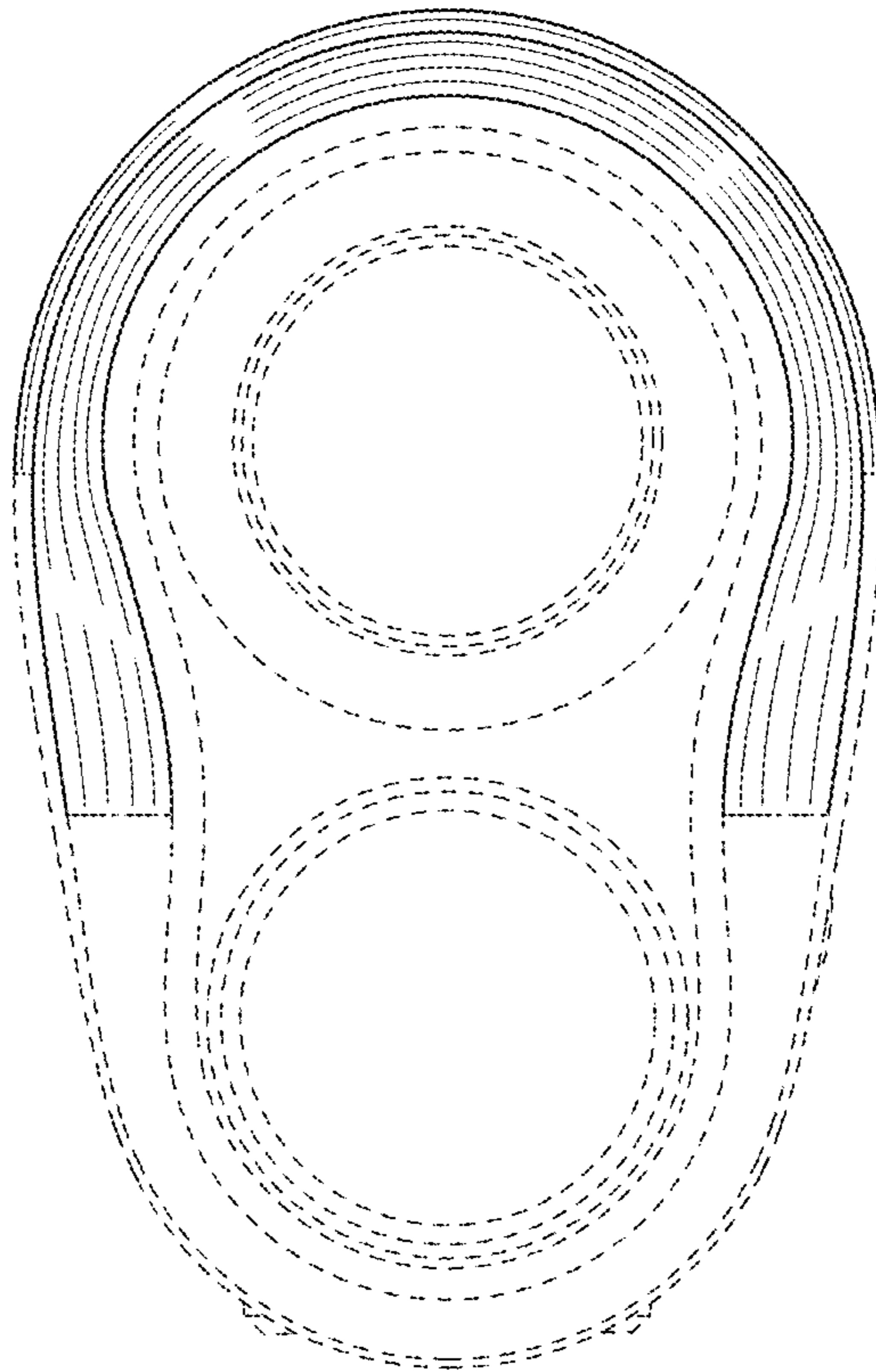


FIG. 9

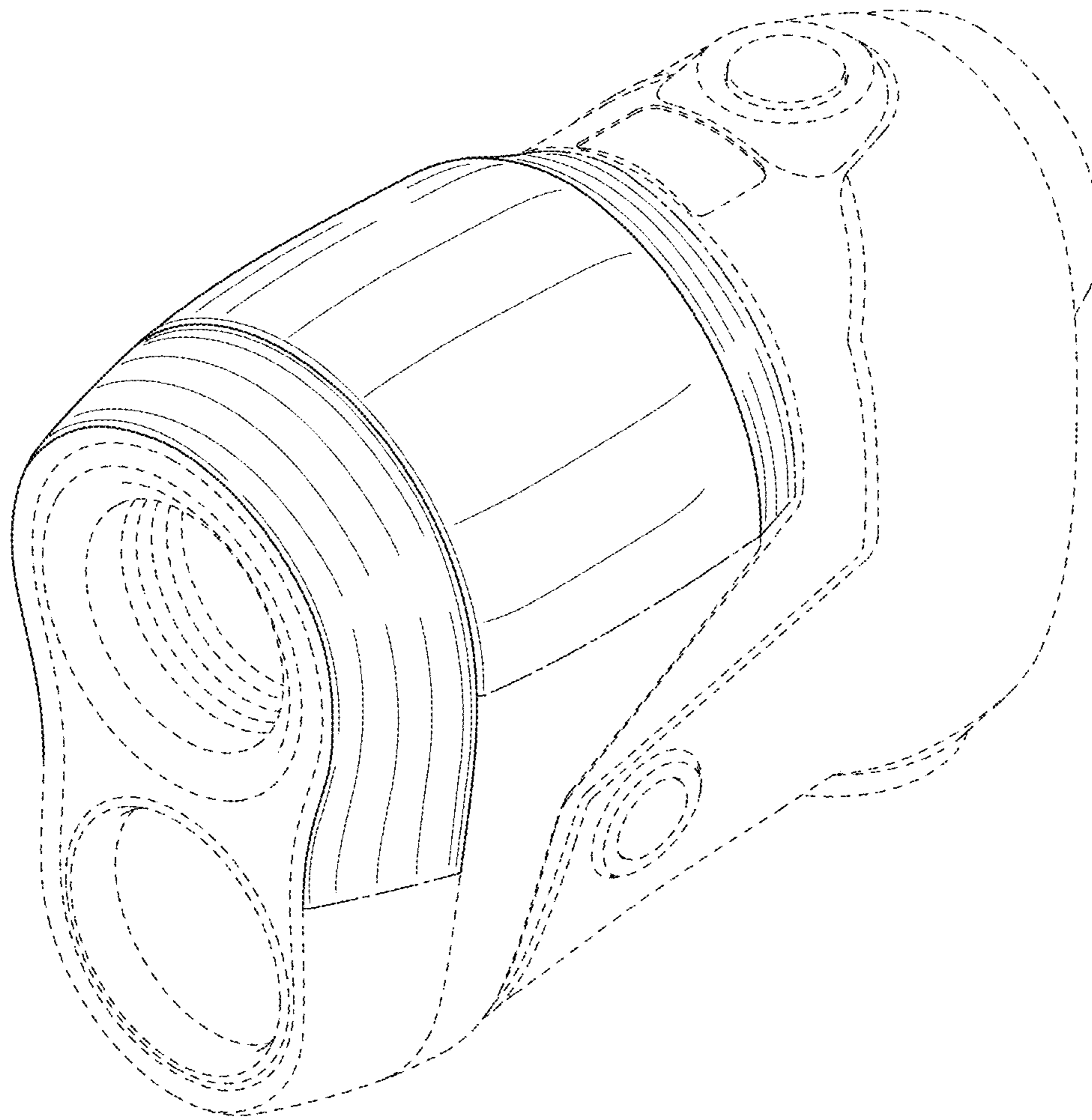


FIG. 10

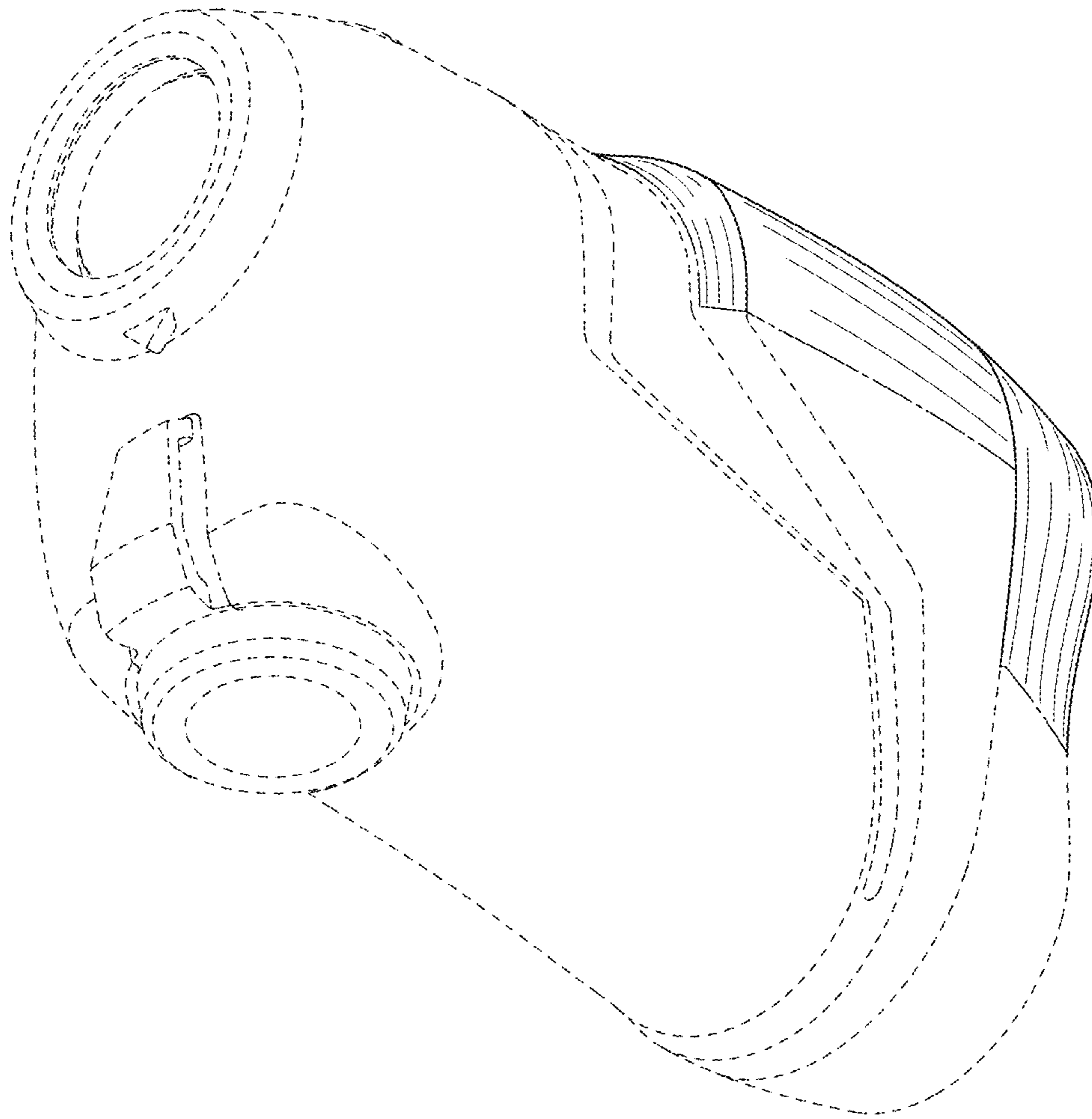


FIG. 11

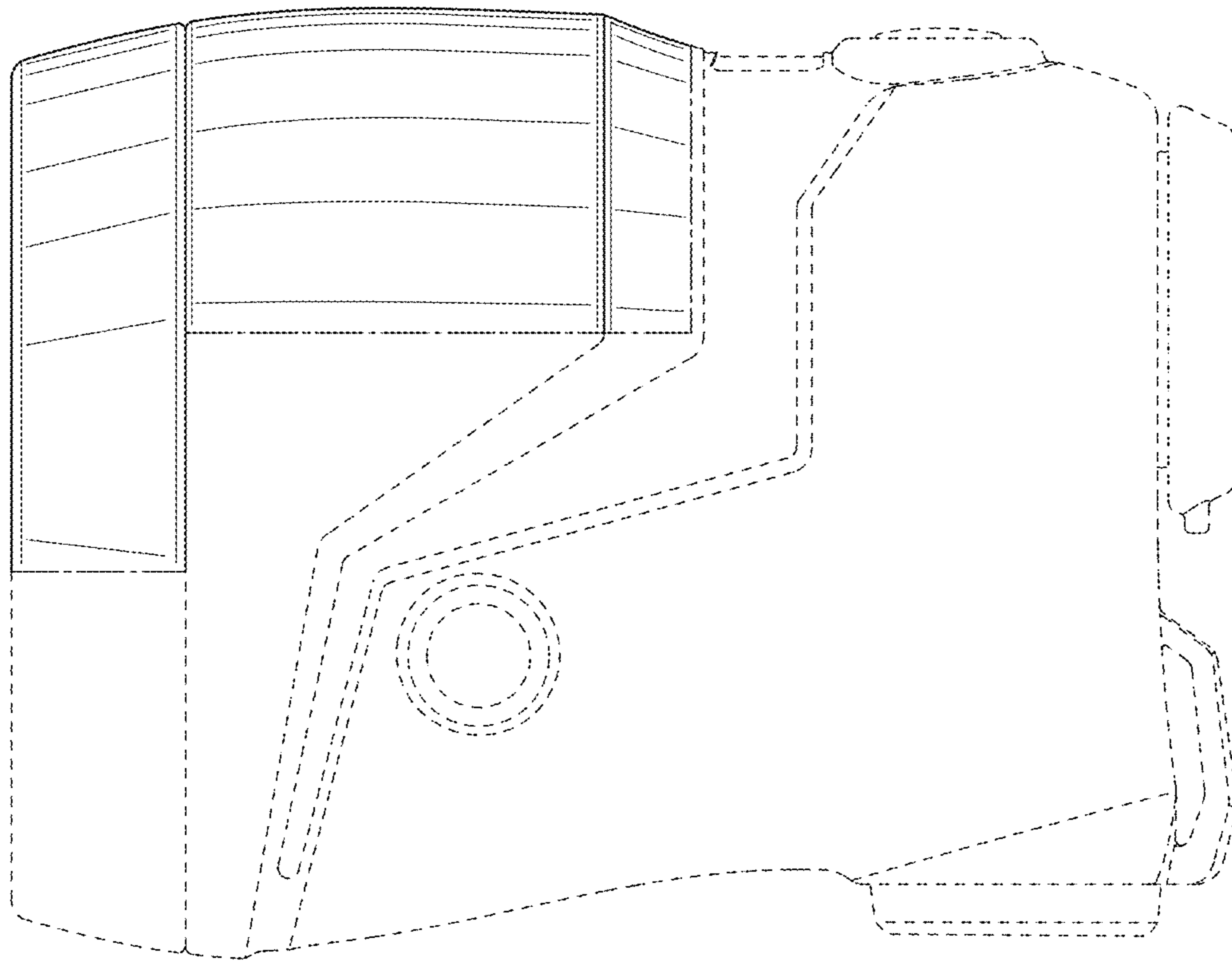


FIG. 12

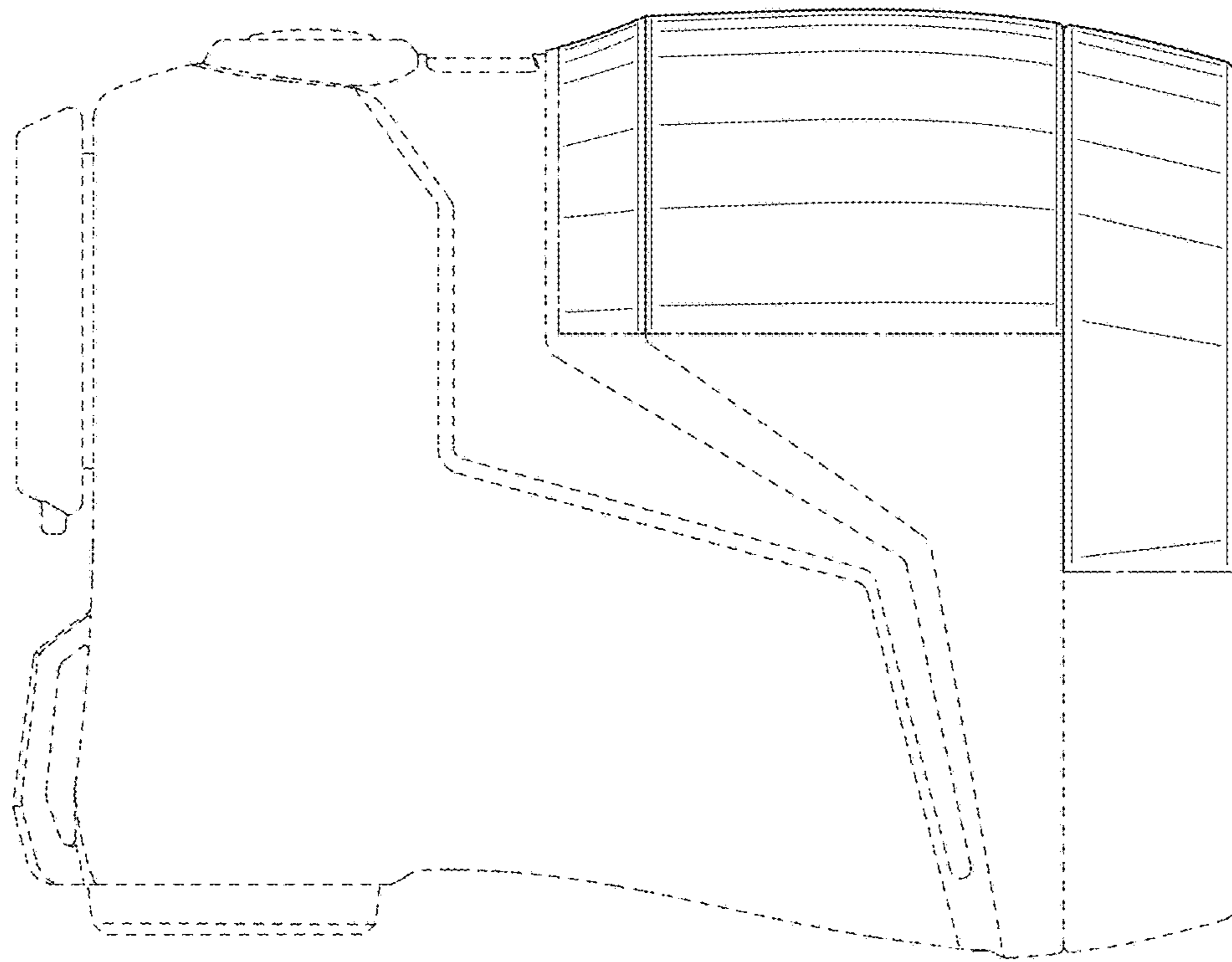


FIG. 13

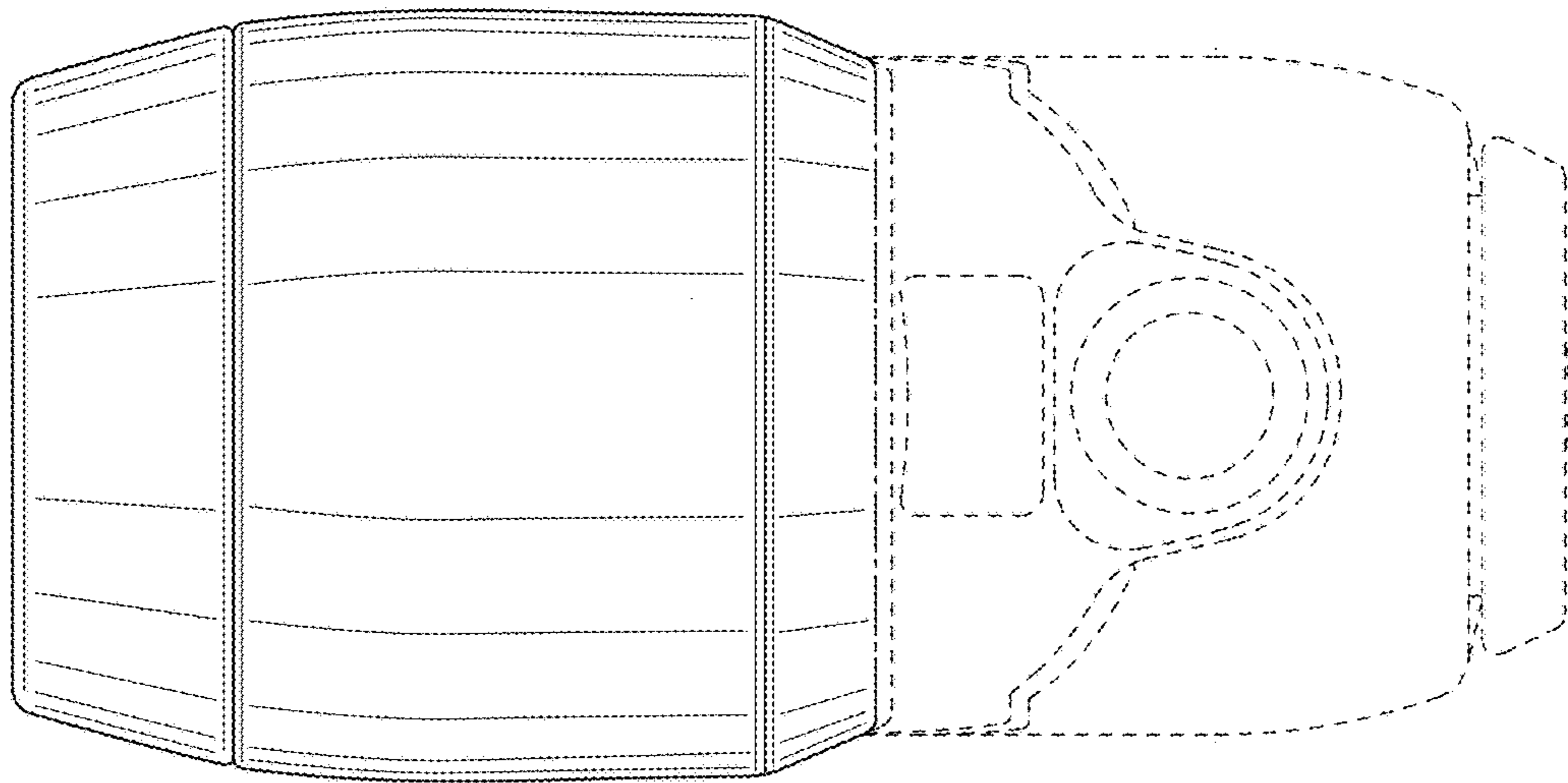


FIG. 14

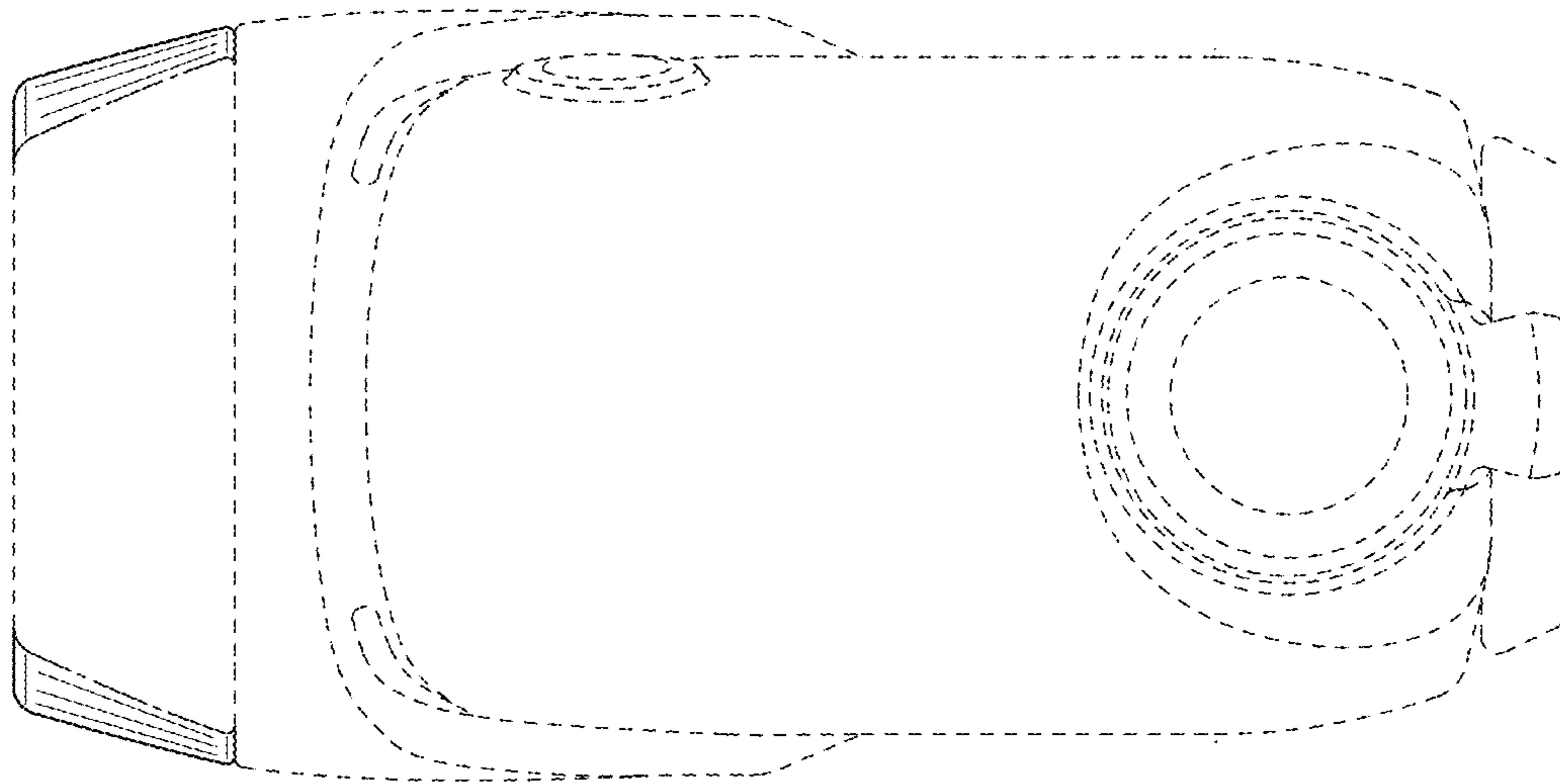


FIG. 15

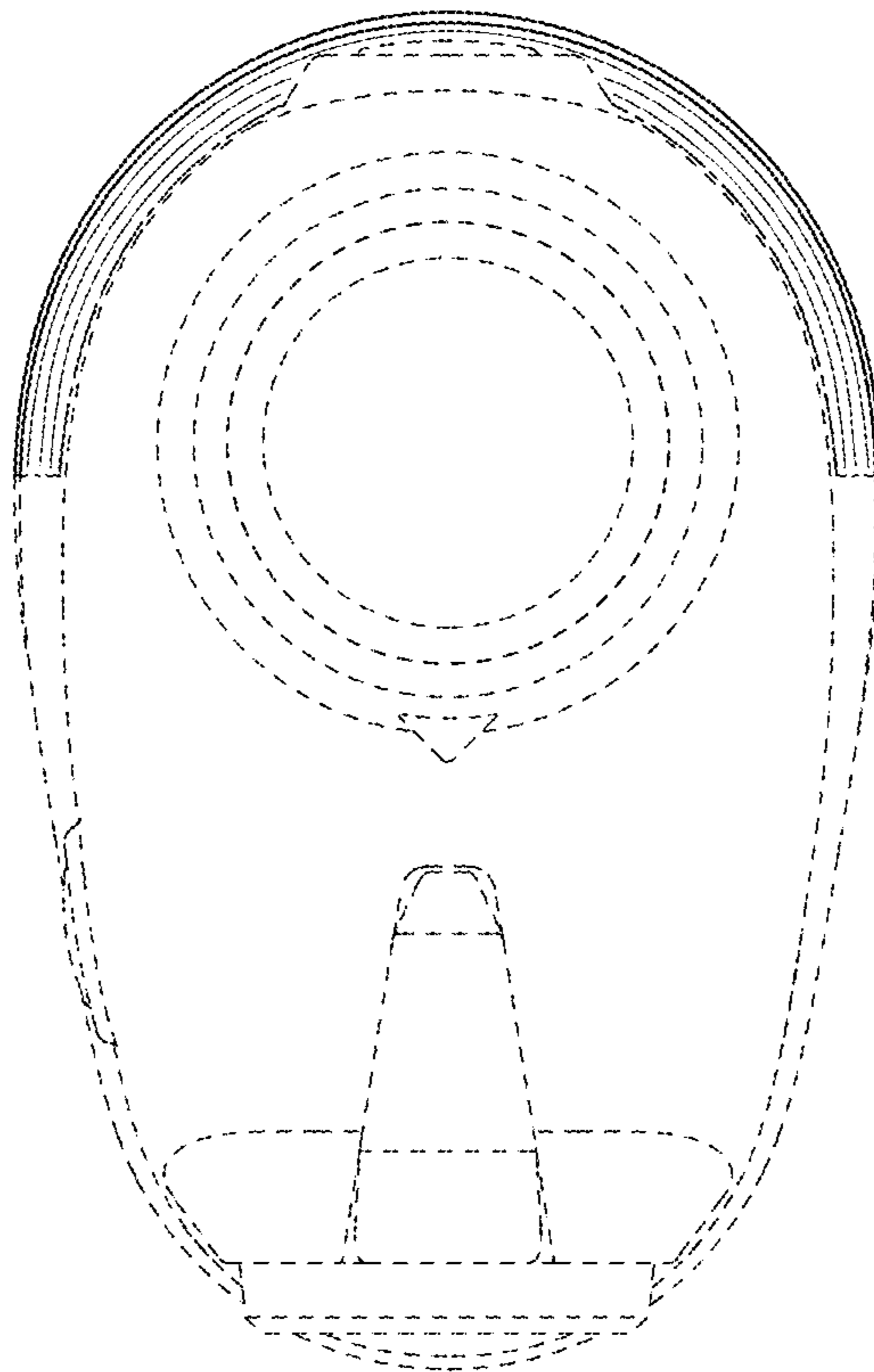


FIG. 16

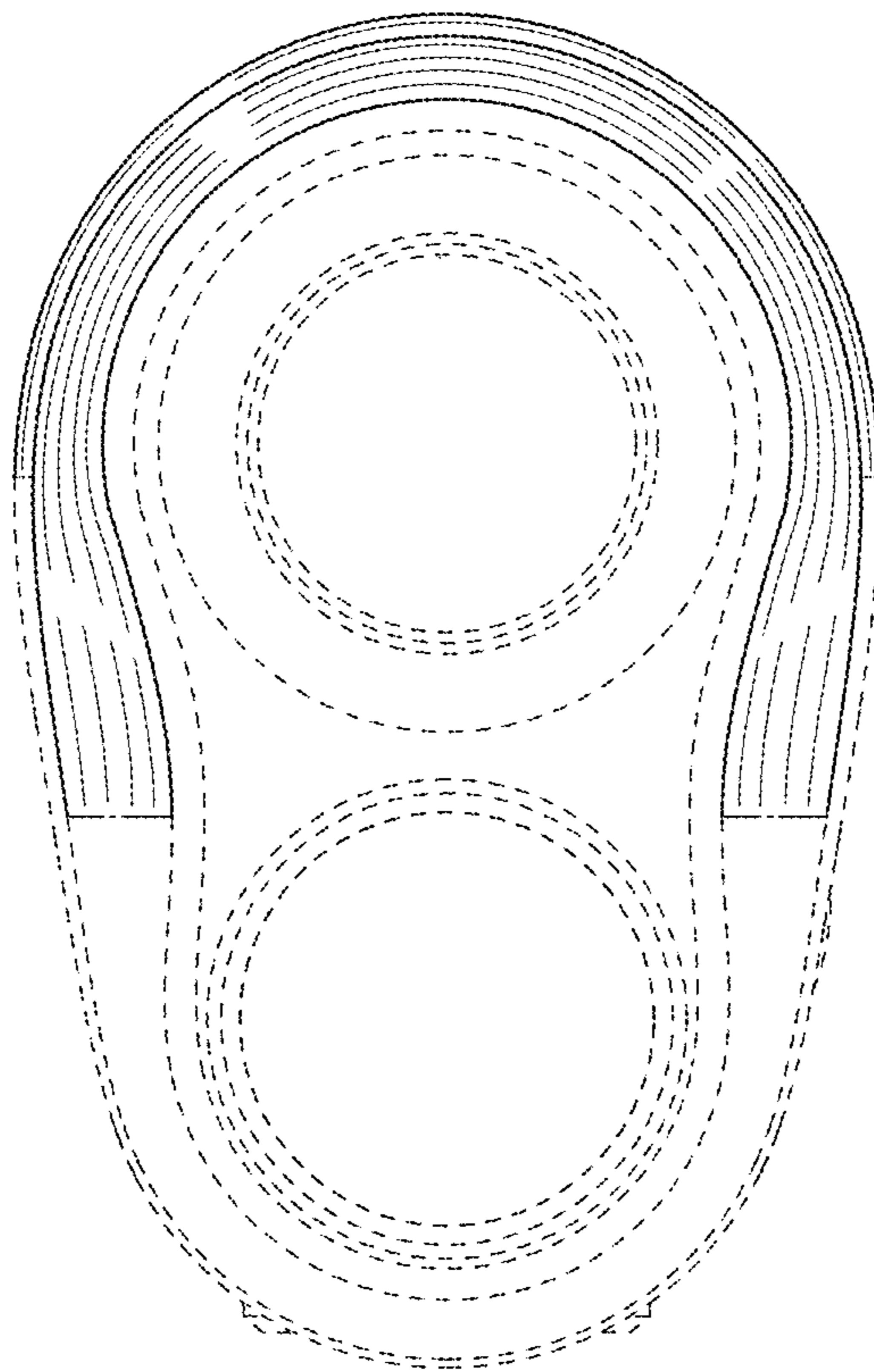


FIG. 17

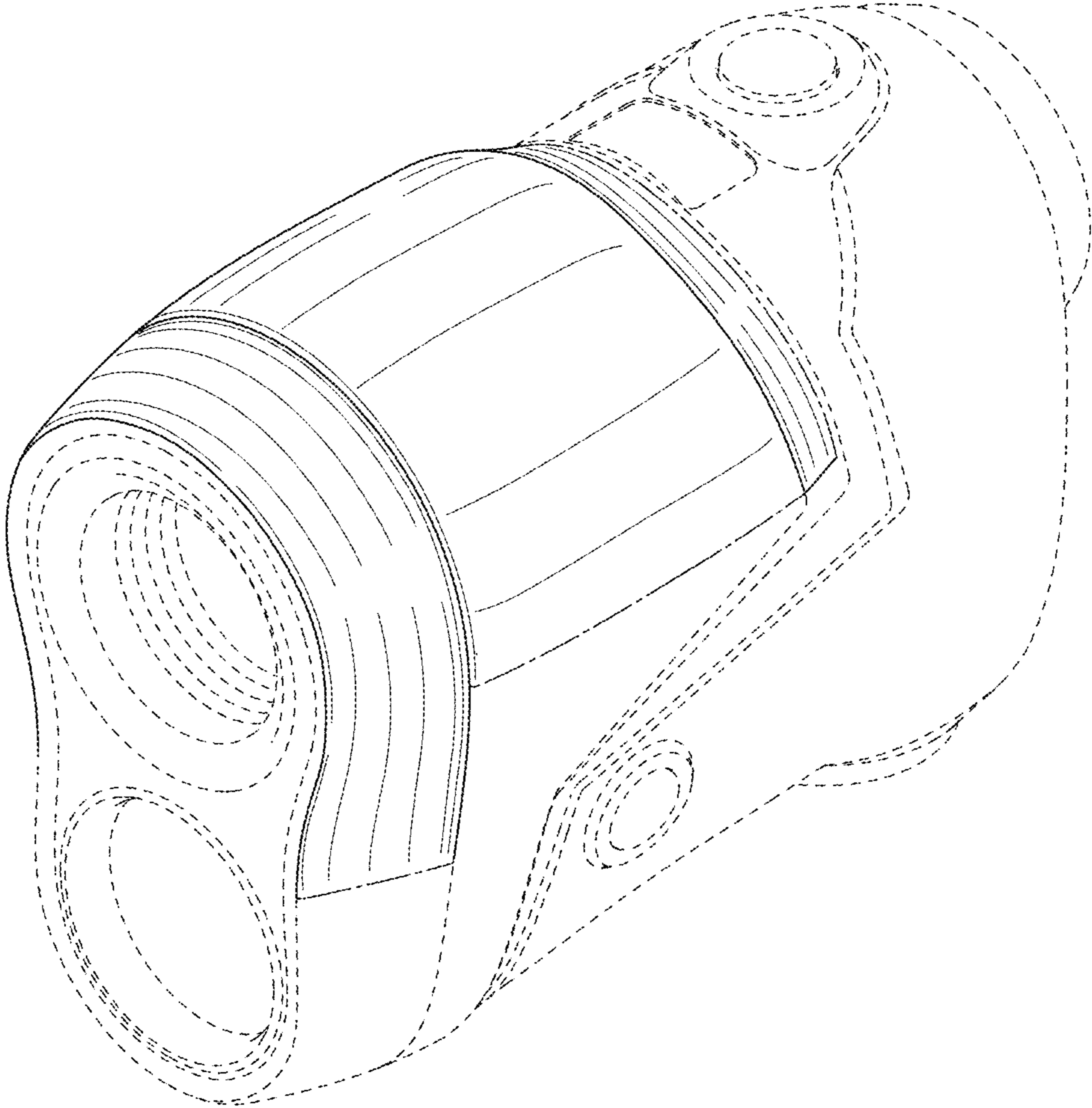


FIG. 18

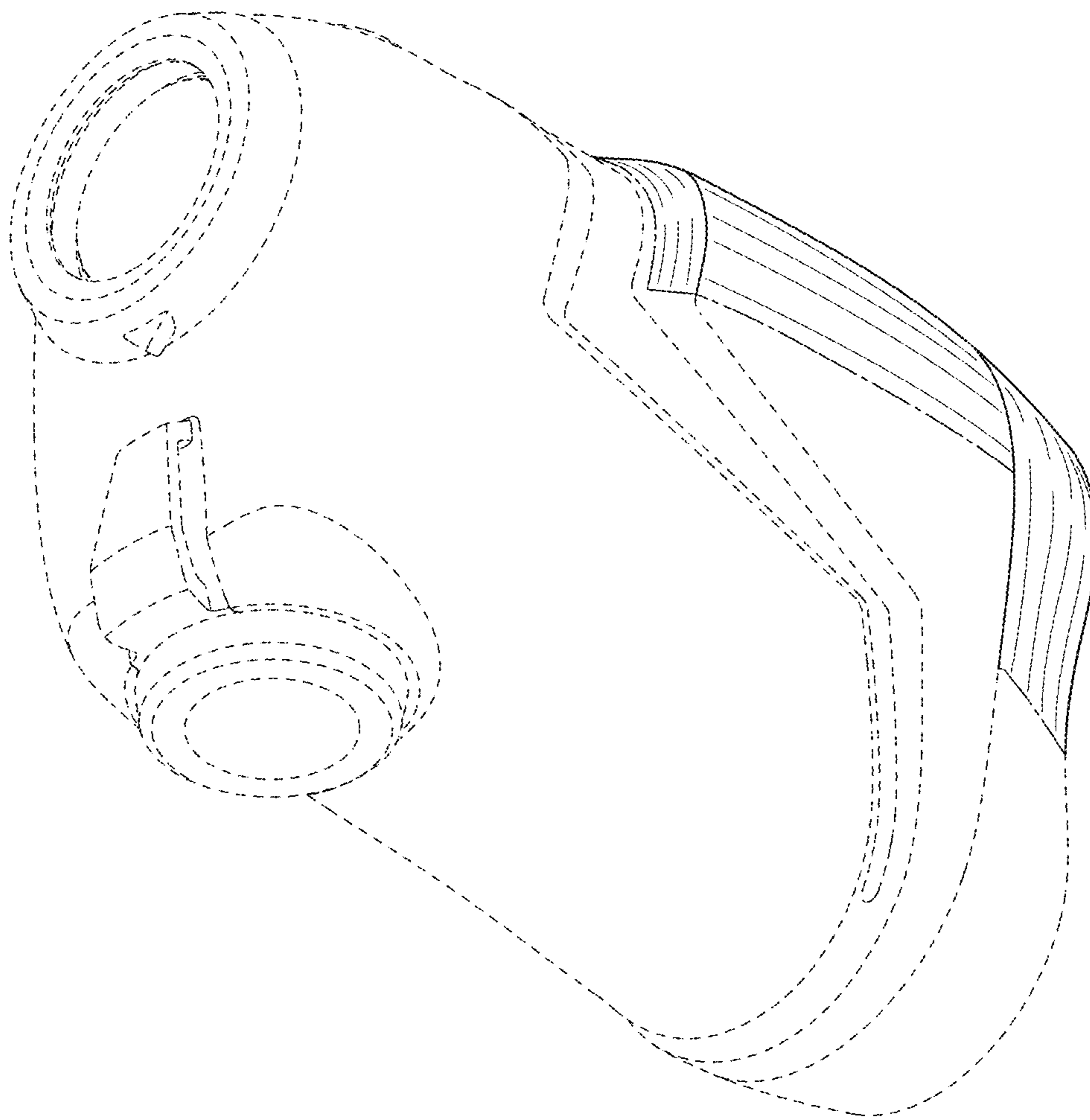


FIG. 19

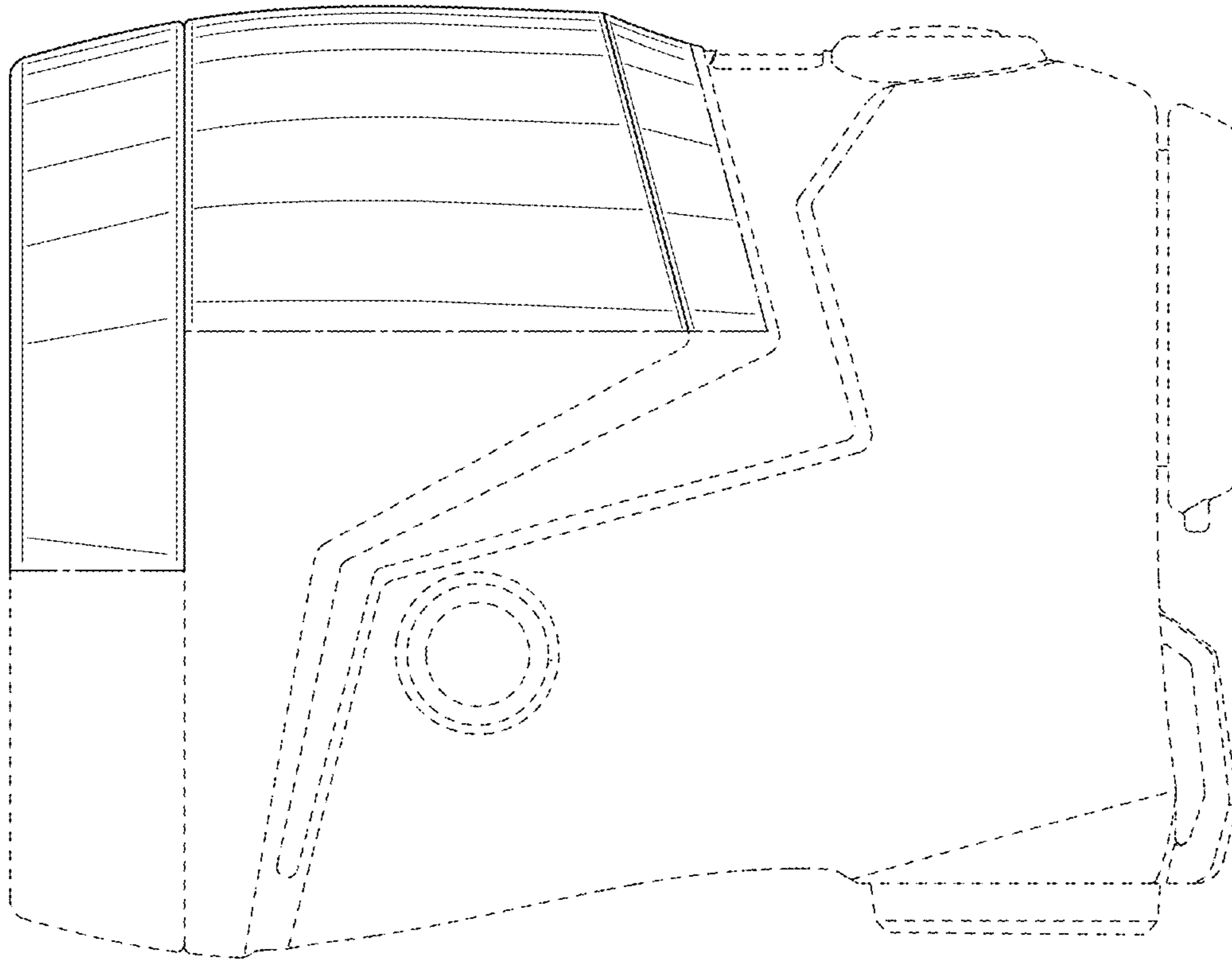


FIG. 20

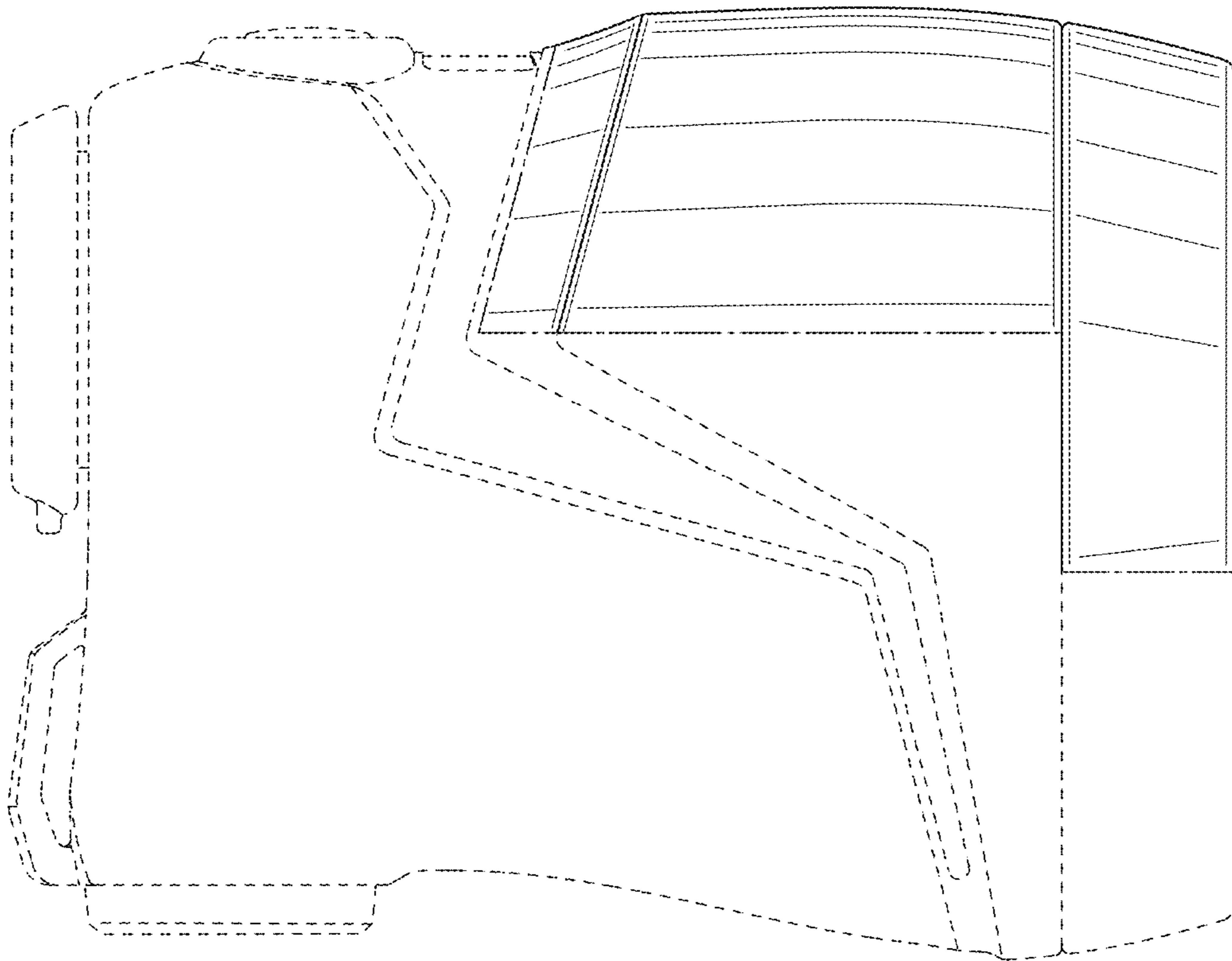


FIG. 21

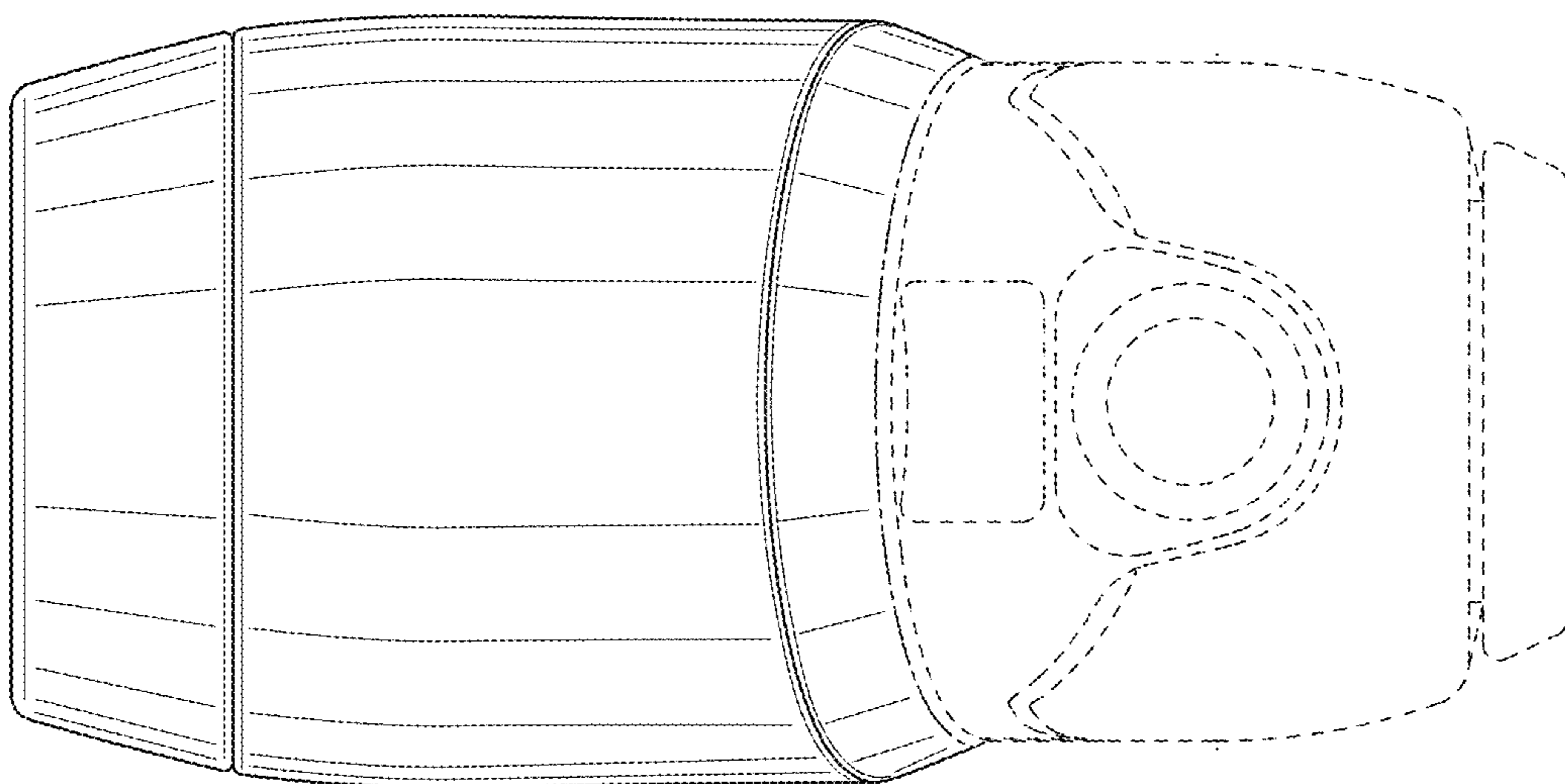


FIG. 22

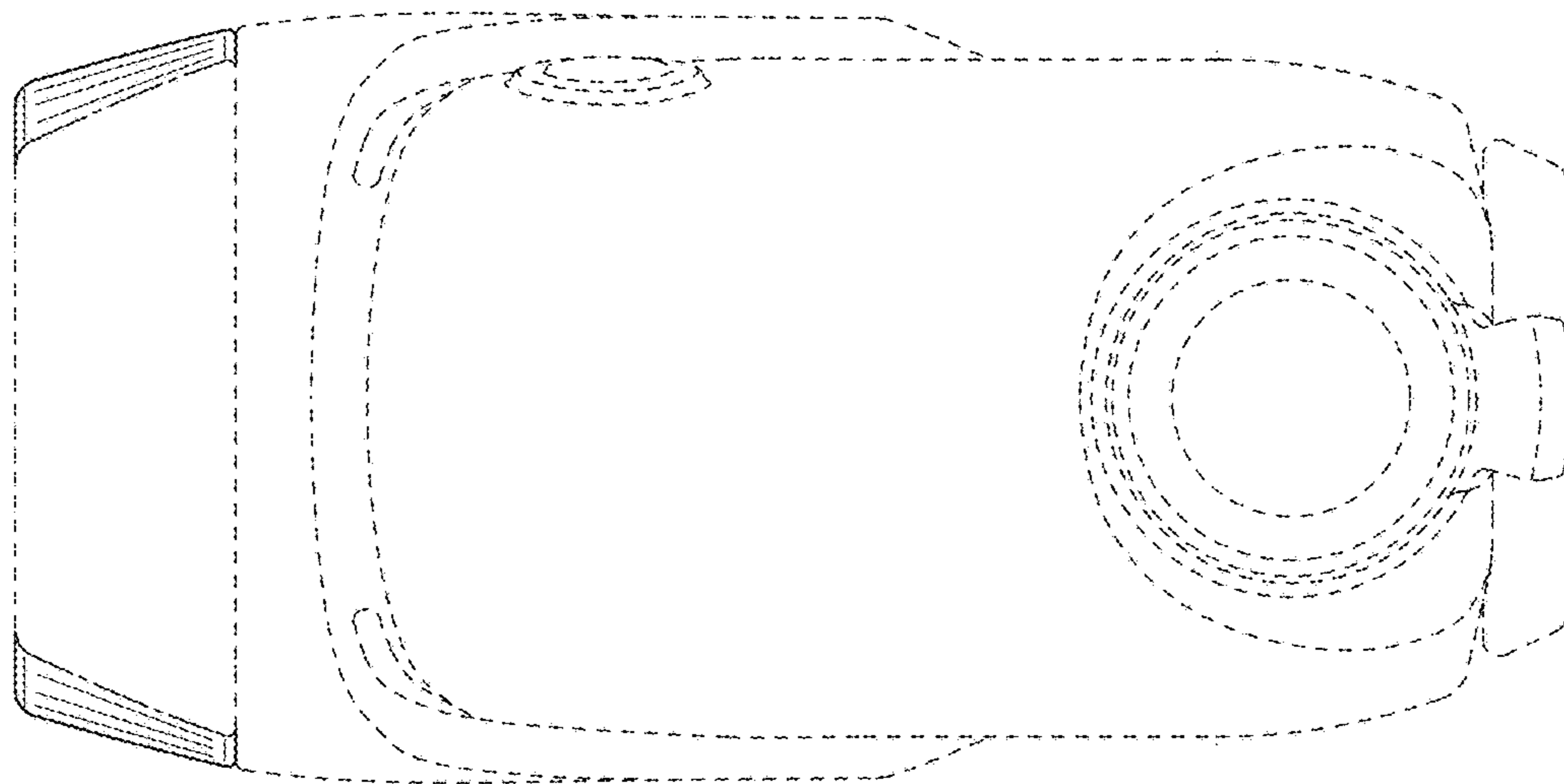


FIG. 23

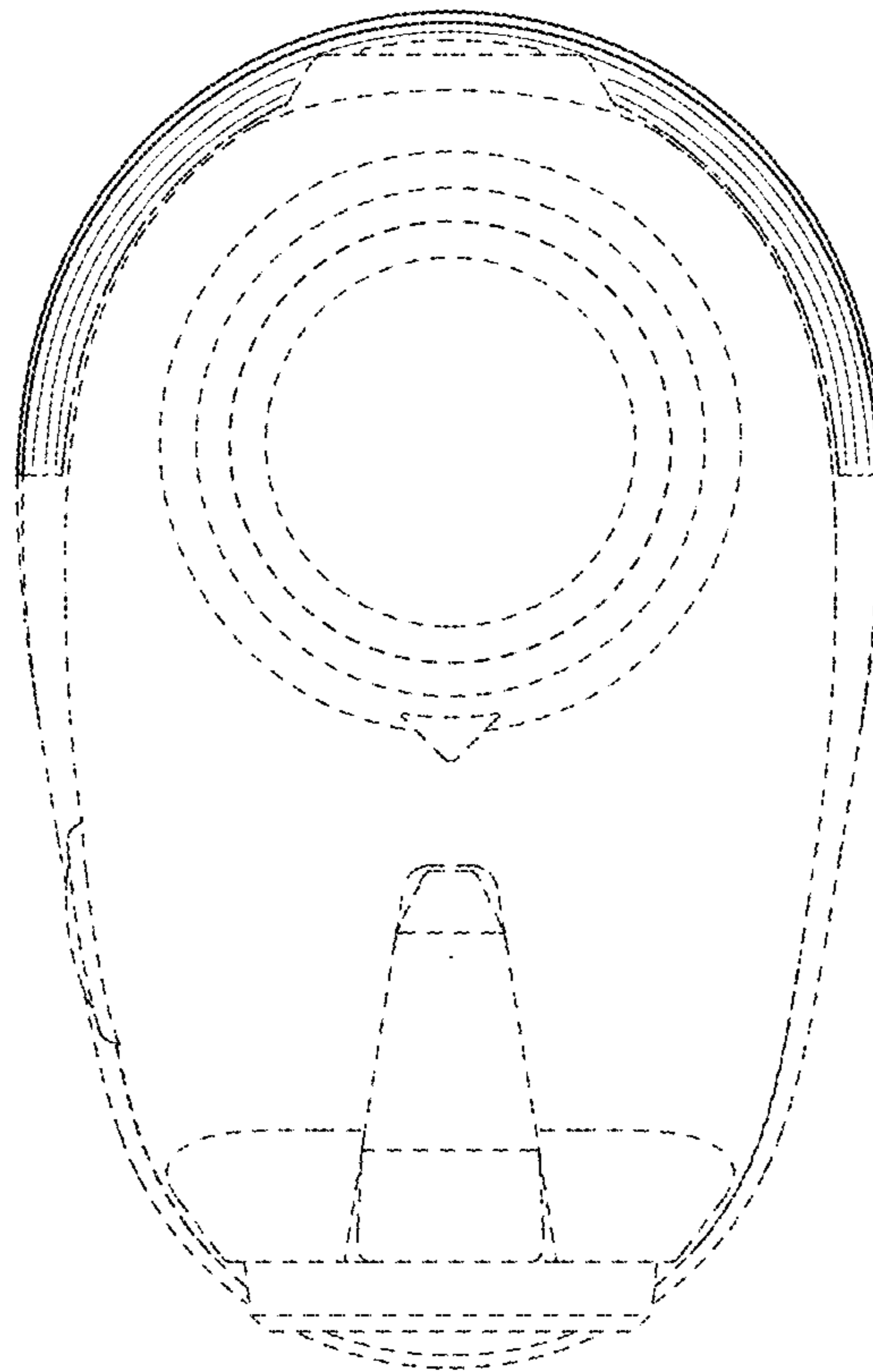


FIG. 24

