



US00D779980S

(12) **United States Design Patent** (10) **Patent No.:** **US D779,980 S**  
**Neto et al.** (45) **Date of Patent:** **\*\* Feb. 28, 2017**

(54) **AIRBORNE RADAR UNIT**

G01S 2013/9058; G01S 2013/9064; G01S  
2013/907; G01S 2013/9076; G01S  
2013/9082; G01S 2013/9088; G01S  
2007/027

(71) Applicant: **BRADAR INDÚSTRIA S.A.**, São José  
dos Campos, São Paulo (BR)

See application file for complete search history.

(72) Inventors: **João Roberto Moreira Neto**, São  
Paulo (BR); **Marco André Remy**, São  
Paulo (BR); **Eurico Vaz Júnior**, São  
Paulo (BR); **Luiz Carlos Imoto**, São  
Paulo (BR); **Dieter Luebeck**, São Paulo  
(BR)

(56) **References Cited**

U.S. PATENT DOCUMENTS

D656,421 S \* 3/2012 Marrocco ..... D10/63

\* cited by examiner

*Primary Examiner* — Antoine D Davis

(73) Assignee: **BRADAR INDÚSTRIA S.A.**, São José  
dos Campos, São Paulo (BR)

(74) *Attorney, Agent, or Firm* — Nixon & Vanderhye P.C.

(\*\*) Term: **14 Years**

(21) Appl. No.: **29/516,682**

(57) **CLAIM**

(22) Filed: **Feb. 5, 2015**

The ornamental design for an “airborne radar unit,” as  
shown and described.

(30) **Foreign Application Priority Data**

**DESCRIPTION**

Sep. 26, 2014 (BR) ..... 302014004886

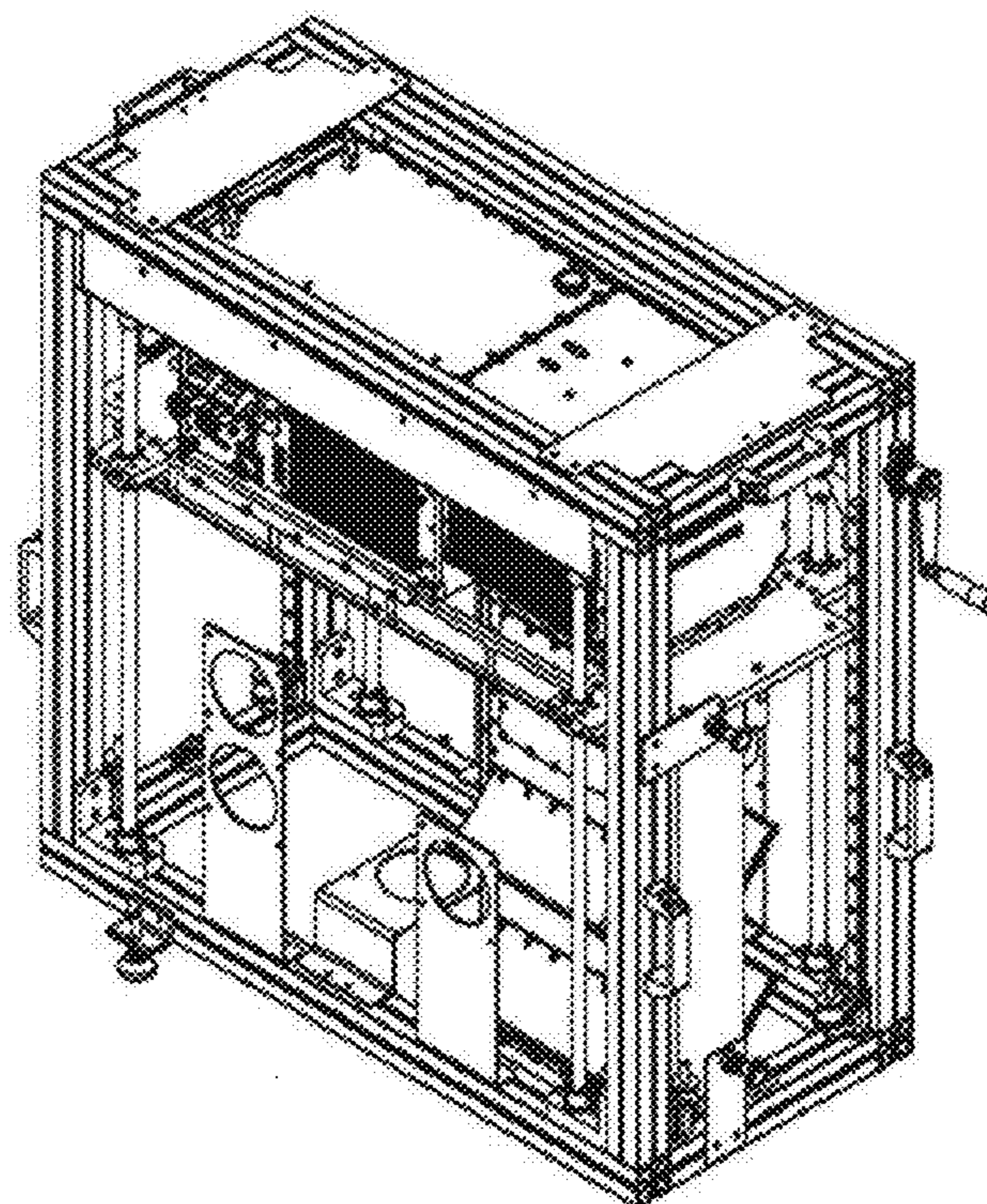
(51) **LOC (10) Cl.** ..... **10-04**

(52) **U.S. Cl.**  
USPC ..... **D10/67; D10/70**

(58) **Field of Classification Search**  
USPC ..... D10/61–68, 70  
CPC ..... G01S 13/00; G01S 13/89; G01S 13/90;  
G01S 13/9005; G01S 13/9011; G01S  
13/9017; G01S 13/9023; G01S 13/9039;

FIG. 1 is a perspective view thereof;  
FIG. 2 is a frontal view thereof;  
FIG. 3 is a back view thereof;  
FIG. 4 is left side view thereof;  
FIG. 5 is a right side view thereof;  
FIG. 6 is a top view thereof; and,  
FIG. 7 is a bottom view thereof.

**1 Claim, 3 Drawing Sheets**



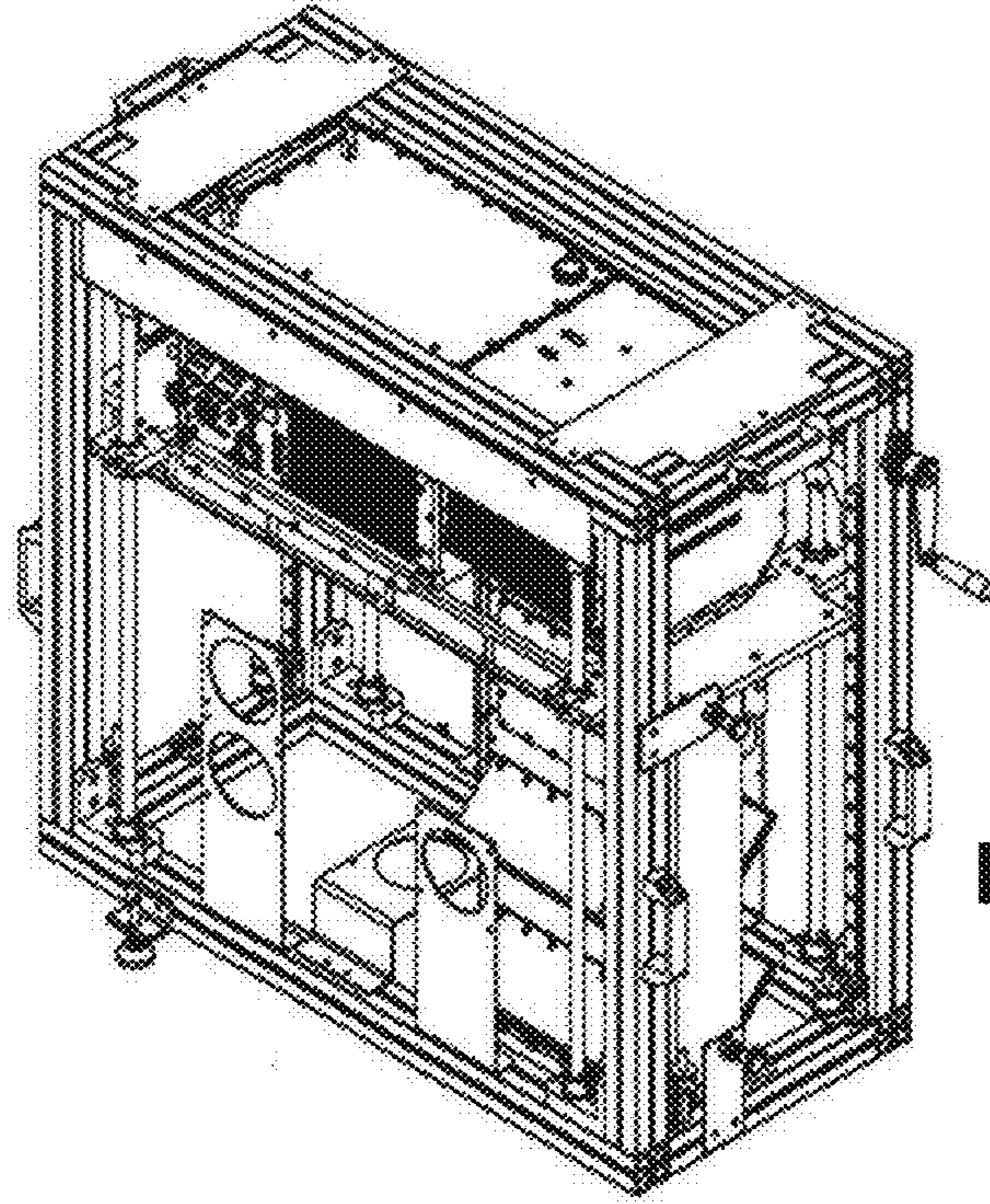


FIG. 1

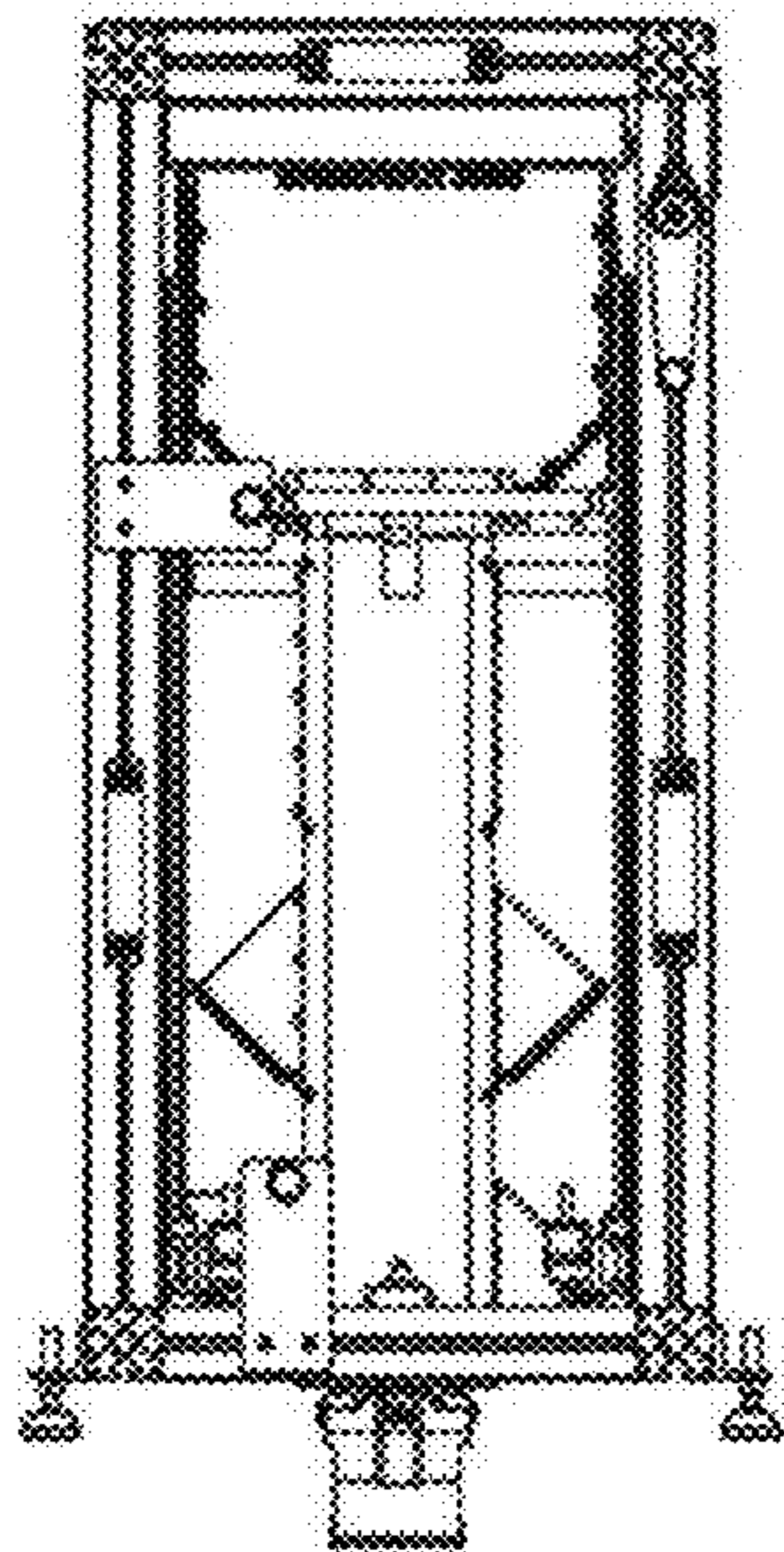


FIG. 2

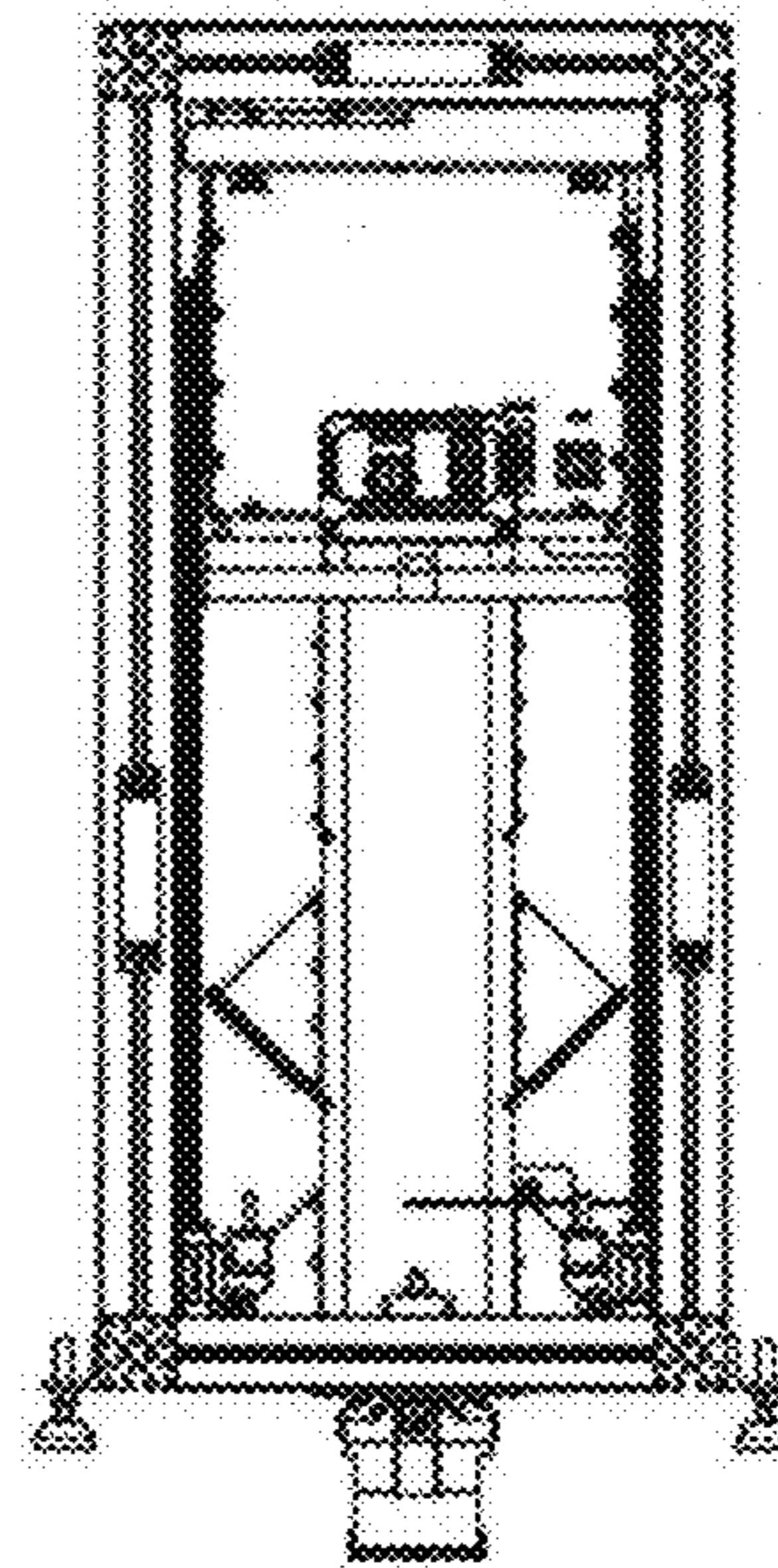


FIG. 3

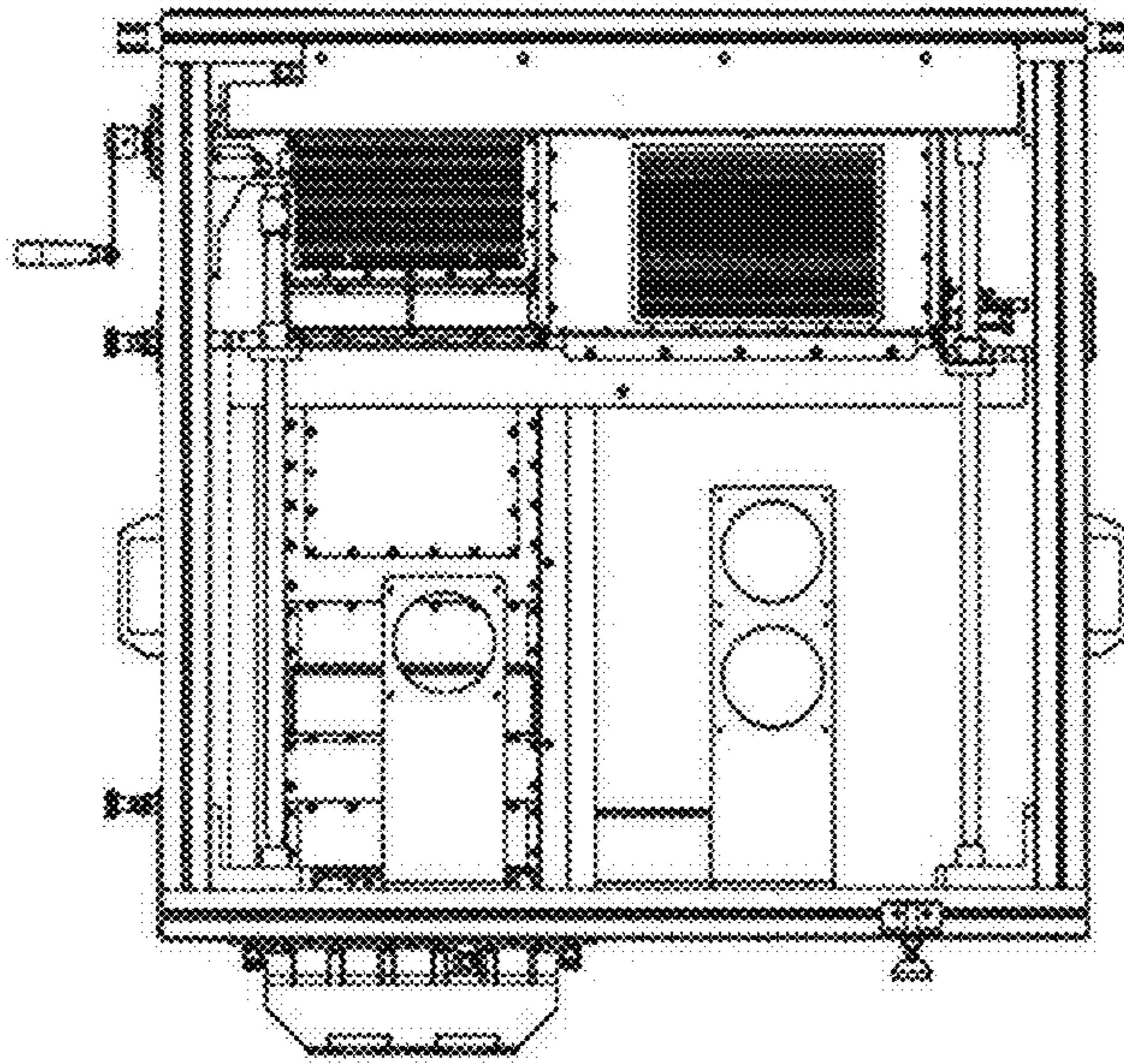


FIG. 4

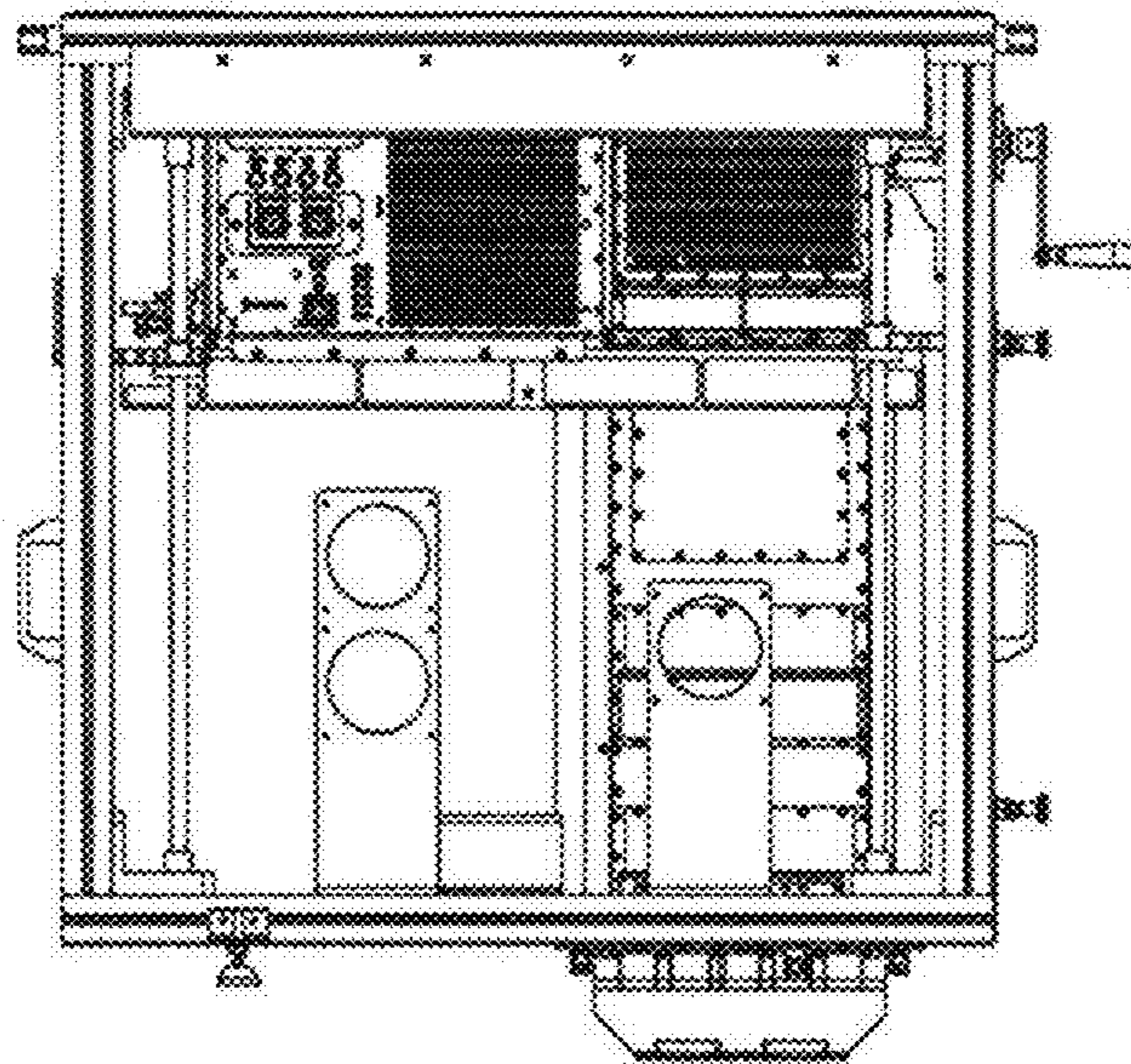


FIG. 5

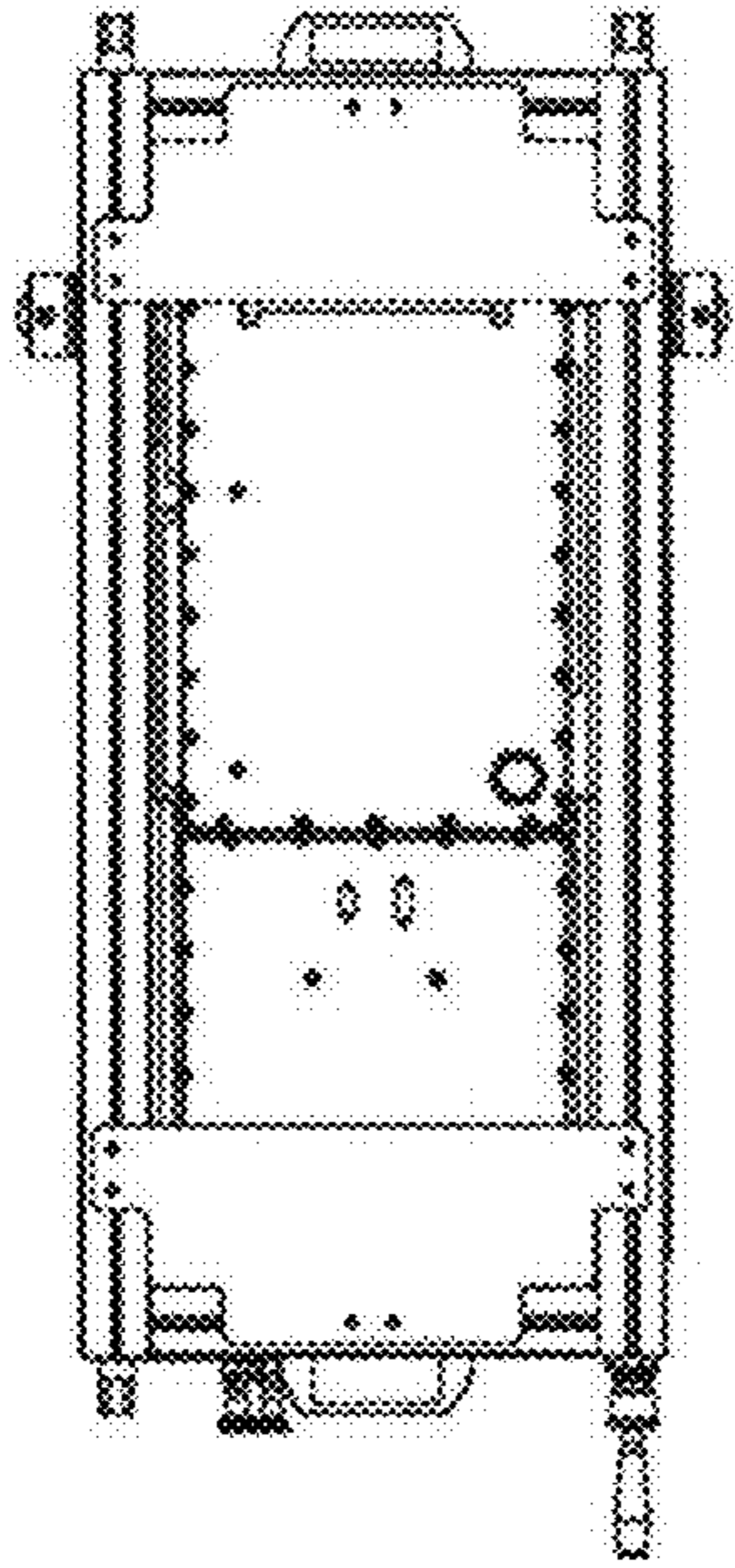


FIG. 6

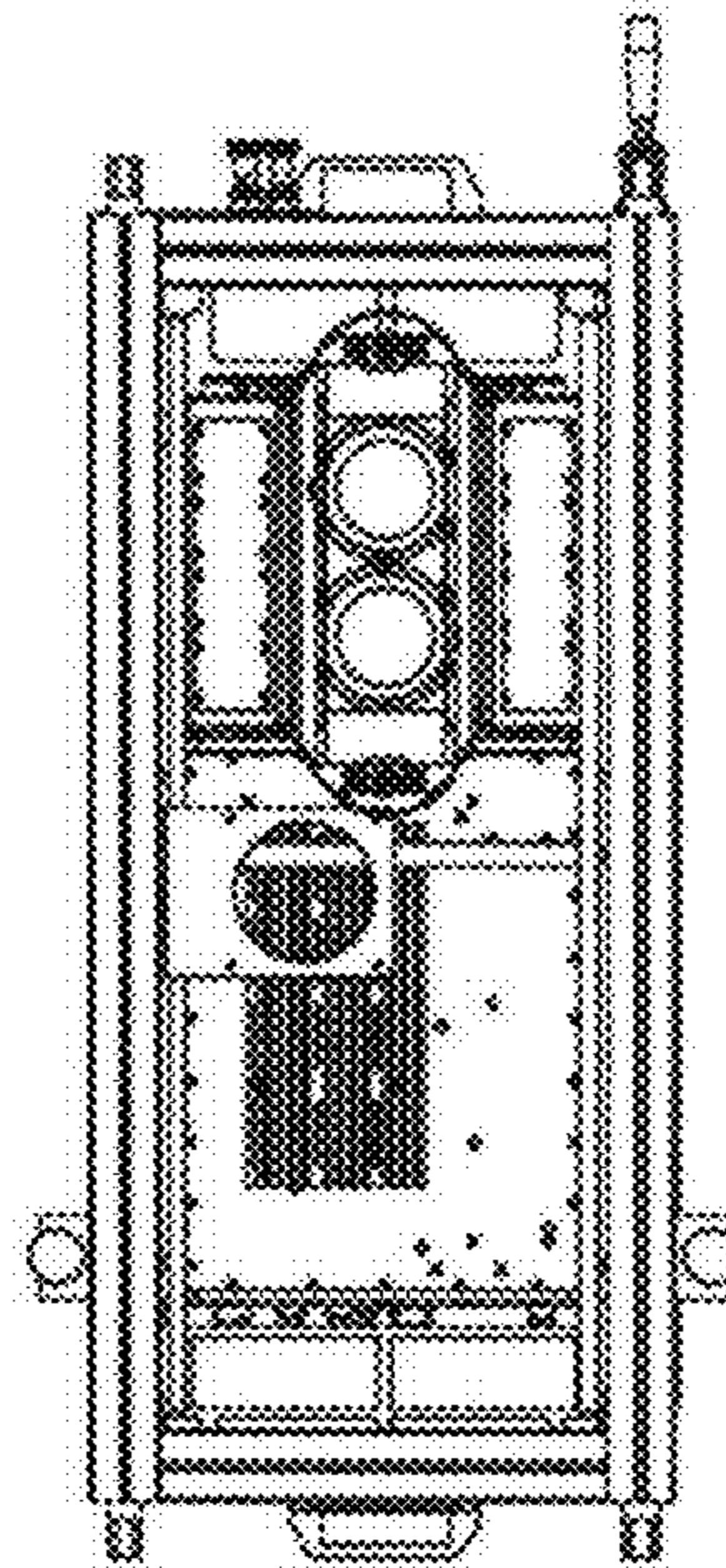


FIG. 7