



US00D779978S

(12) **United States Design Patent** (10) **Patent No.:** **US D779,978 S**
Mikhnenko et al. (45) **Date of Patent:** **** Feb. 28, 2017**

(54) **PERSONAL PORTABLE AIR QUALITY SENSOR**

G01N 27/122; G01N 33/004-33/0075;
H04B 17/23

See application file for complete search history.

(71) Applicants: **Igor Sergeevich Mikhnenko**, Saint Petersburg (RU); **Vera Aleksandrovna Kozyr**, Saint Petersburg (RU); **Aleksandr Urievich Vlasenko**, Saint Petersburg (RU); **Aleksandr Urievich Sheptovetsky**, Moscow (RU); **Boris Mikhailovich Medvedev**, Moscow (RU)

(56) **References Cited**

U.S. PATENT DOCUMENTS

D309,578 S *	7/1990	Schwan	D10/52
D371,517 S *	7/1996	Narayanan	D10/78
D426,473 S *	6/2000	Blackburn	D10/56
6,940,411 B2 *	9/2005	Smith	A61B 5/083 340/632

(Continued)

Primary Examiner — Antoine D Davis

(72) Inventors: **Igor Sergeevich Mikhnenko**, Saint Petersburg (RU); **Vera Aleksandrovna Kozyr**, Saint Petersburg (RU); **Aleksandr Urievich Vlasenko**, Saint Petersburg (RU); **Aleksandr Urievich Sheptovetsky**, Moscow (RU); **Boris Mikhailovich Medvedev**, Moscow (RU)

(57) **CLAIM**

The ornamental design for a personal portable air quality sensor, as shown and described.

DESCRIPTION

FIG. 1 is an upper perspective view showing sensor exterior design;
FIG. 2 is an upper right side perspective view showing sensor exterior design;
FIG. 3 is a front side parallel view showing sensor exterior design;
FIG. 4 is a left side parallel view showing sensor exterior design;
FIG. 5 is a right side parallel view showing sensor exterior design;
FIG. 6 is a back side parallel view showing sensor exterior design;
FIG. 7 is a top side parallel view showing sensor exterior design;
FIG. 8 is a bottom side parallel view showing sensor exterior design;
FIG. 9 is a lower bottom side perspective view showing sensor exterior design with closed handle half-ring;
FIG. 10 is a lower bottom side perspective view showing sensor exterior design with open handle half-ring; and,

(Continued)

(73) Assignee: **Igor Mikhnenko**, Kharkiv (UA)

(**) Term: **15 Years**

(21) Appl. No.: **29/539,595**

(22) Filed: **Sep. 16, 2015**

(51) **LOC (10) Cl.** **10-04**

(52) **U.S. Cl.**
USPC **D10/52; D10/53; D10/56; D10/57; D10/81**

(58) **Field of Classification Search**
USPC **D10/52, 53, 56, 57, 81**
CPC **G01N 1/22-1/2294; G01N 2001/2217-2001/2297; G01N 25/56;**

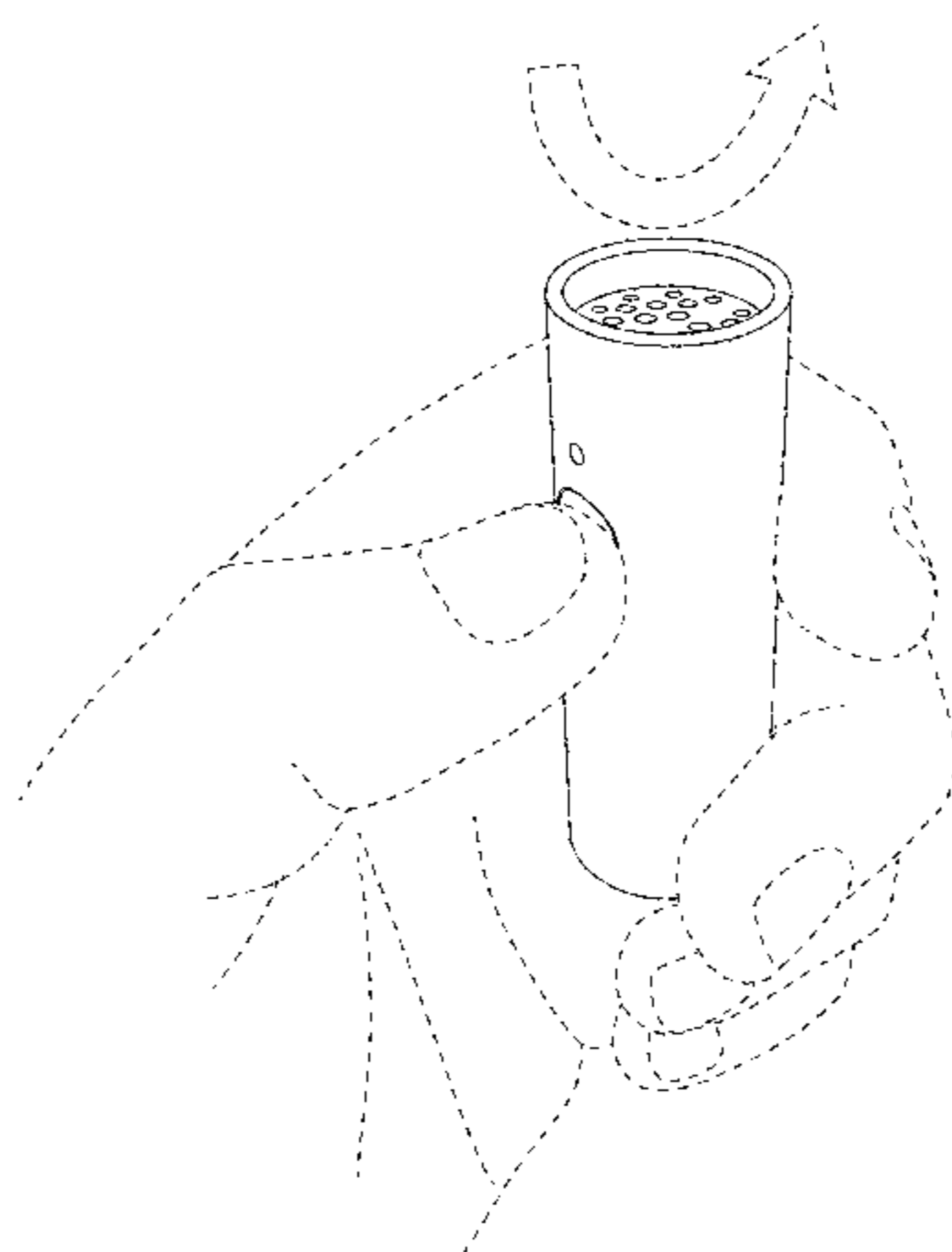


FIG. 11 is an illustration in perspective view showing sensor in use.

1 Claim, 10 Drawing Sheets

(56)

References Cited

U.S. PATENT DOCUMENTS

D751,485 S * 3/2016 Chung D12/209

* cited by examiner

FIG. 1

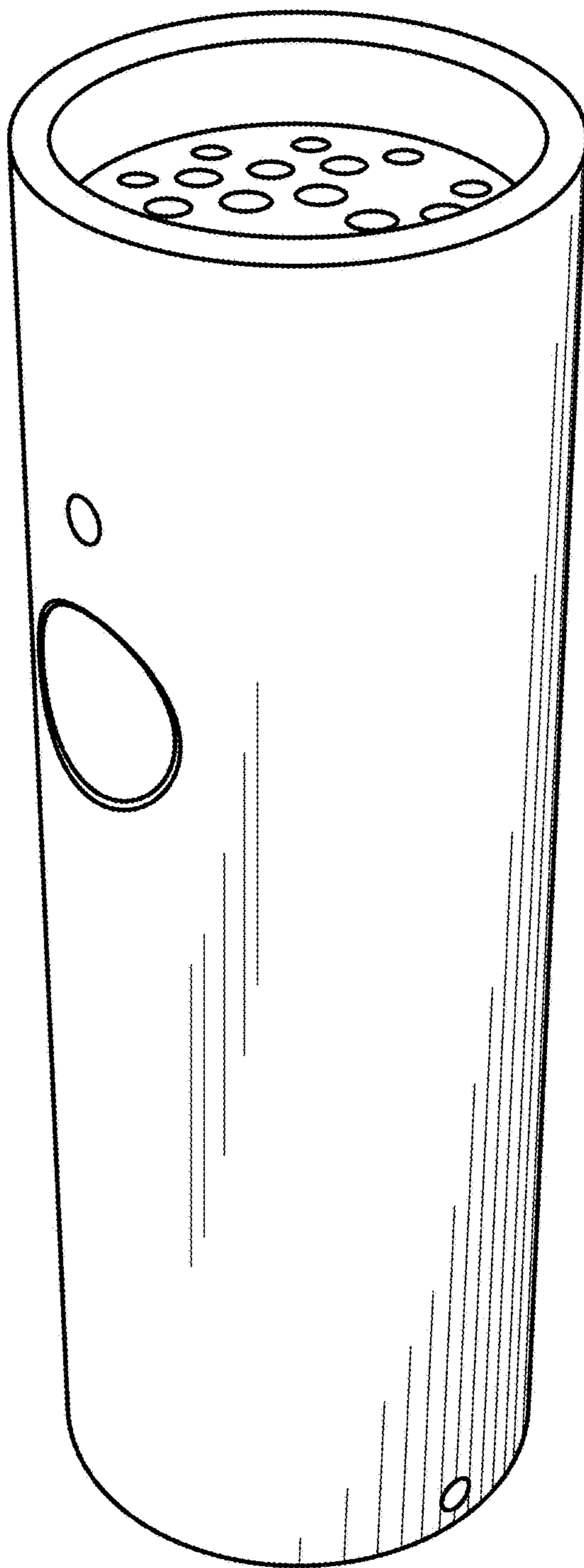


FIG. 2

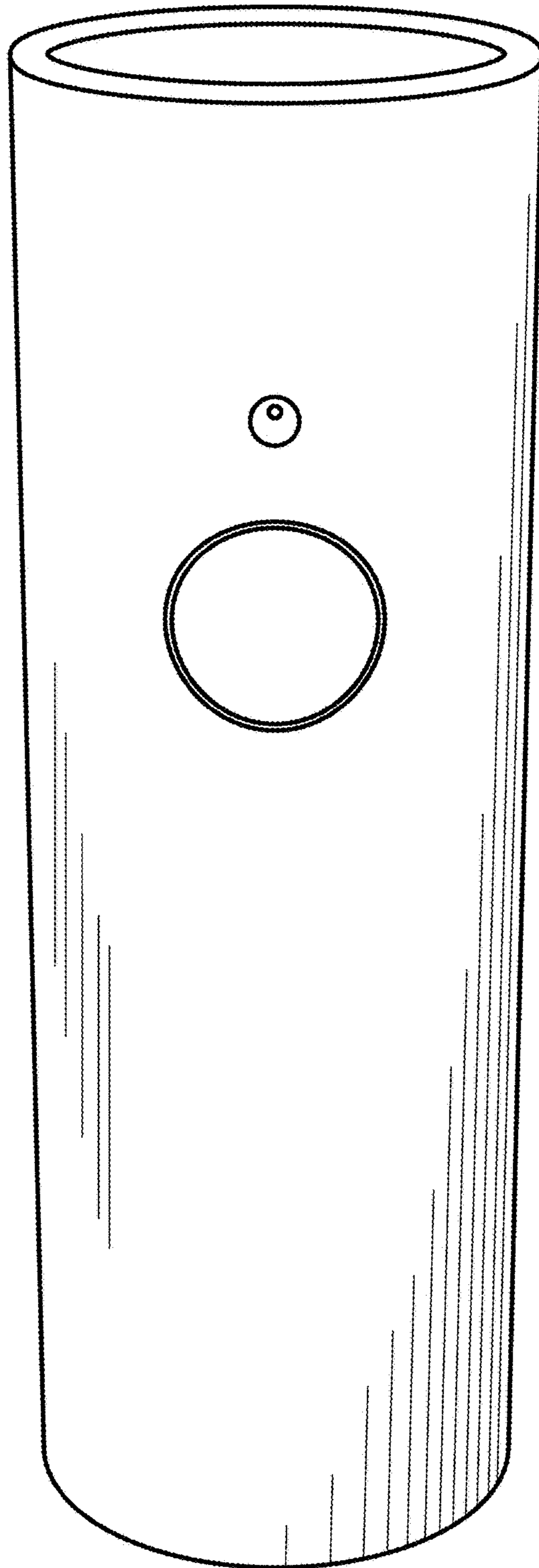


FIG. 3

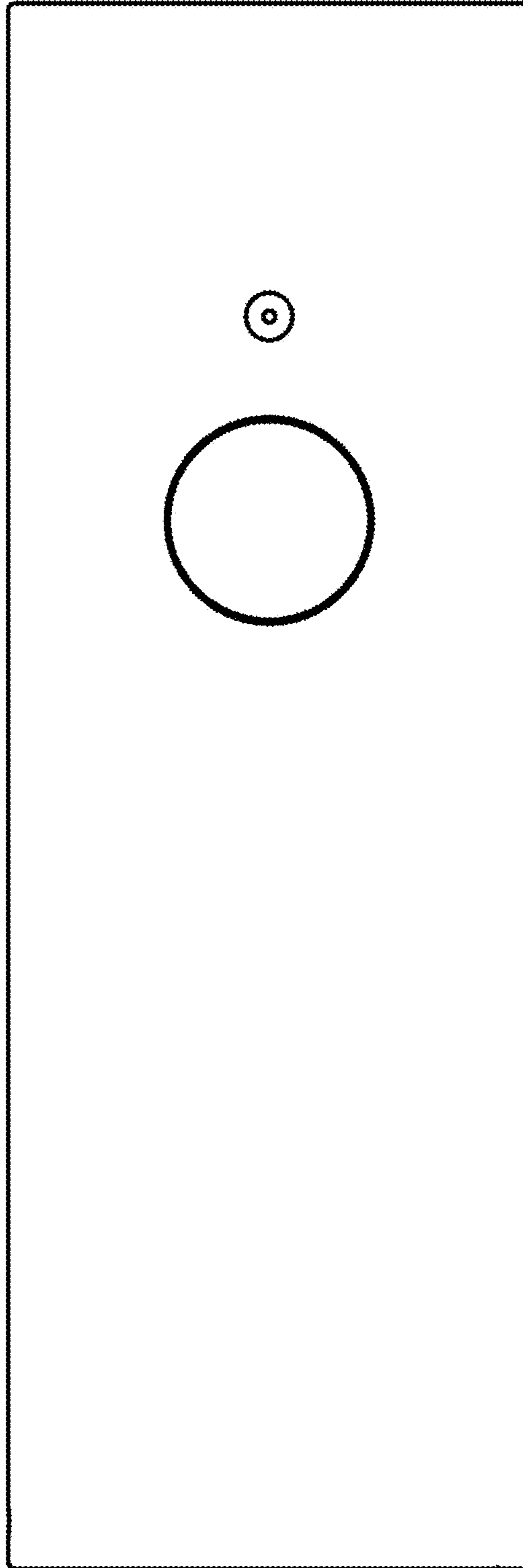


FIG. 4

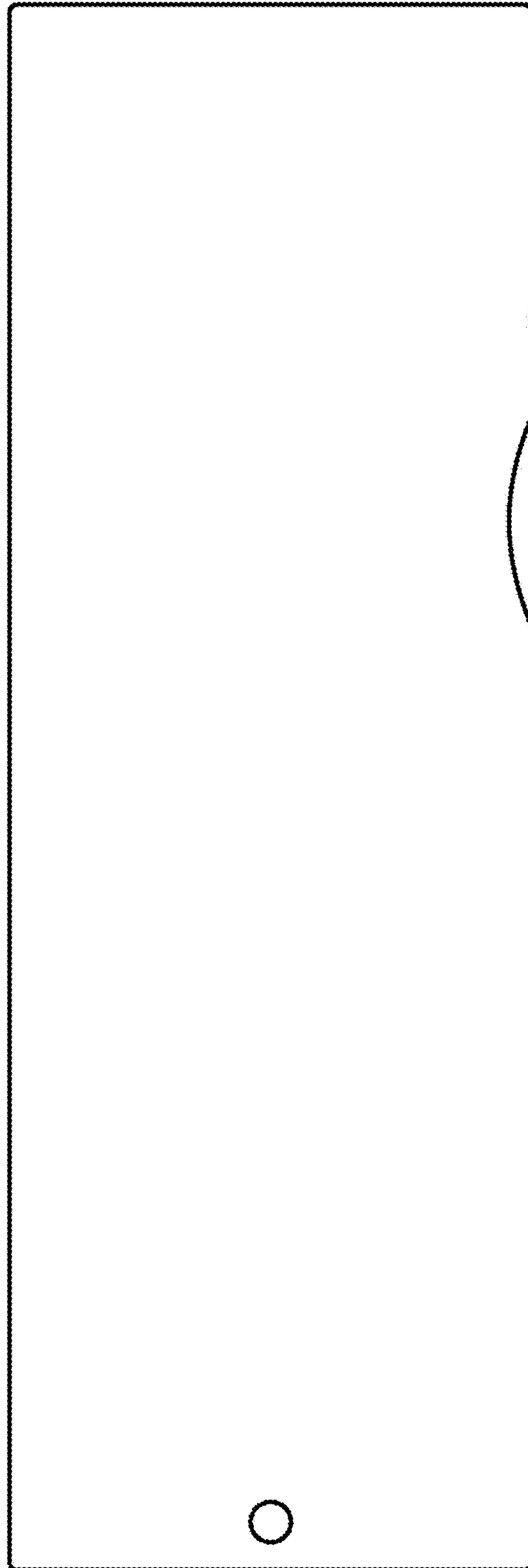


FIG. 5

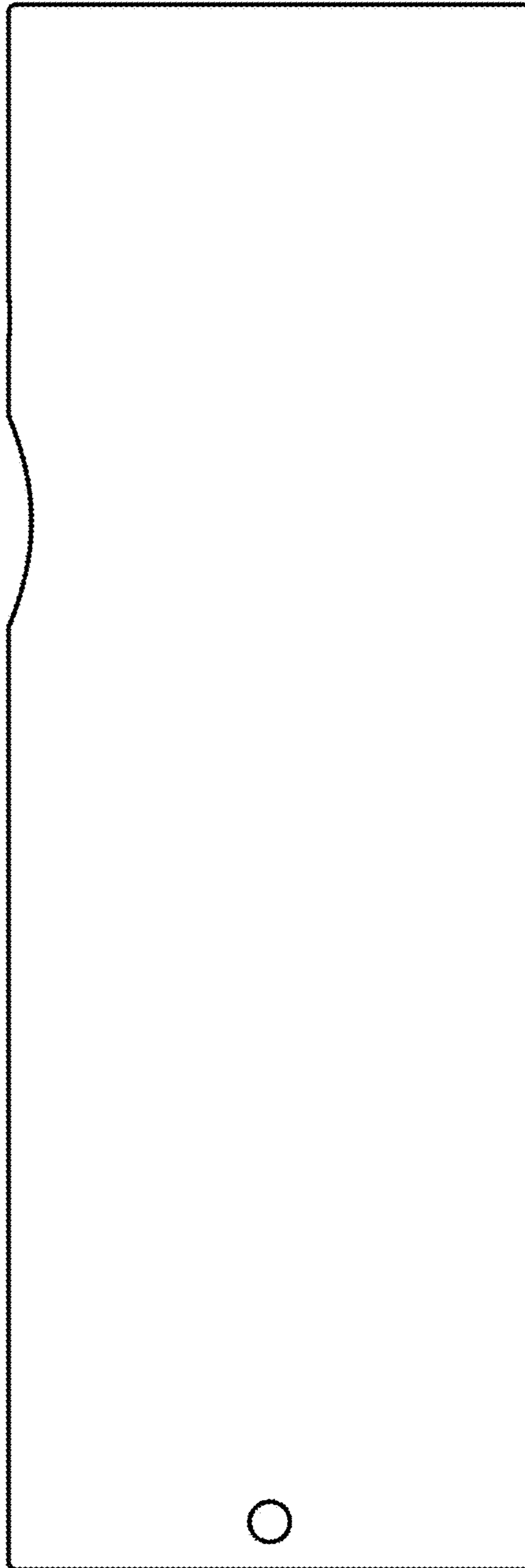


FIG. 6

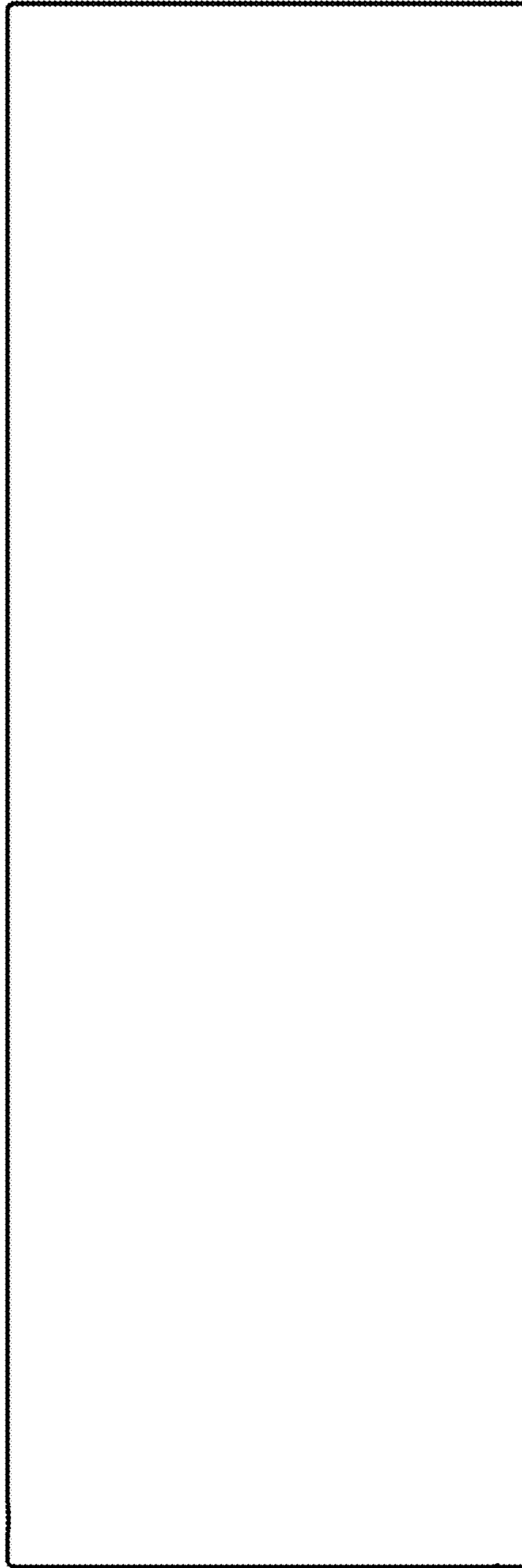


FIG. 7

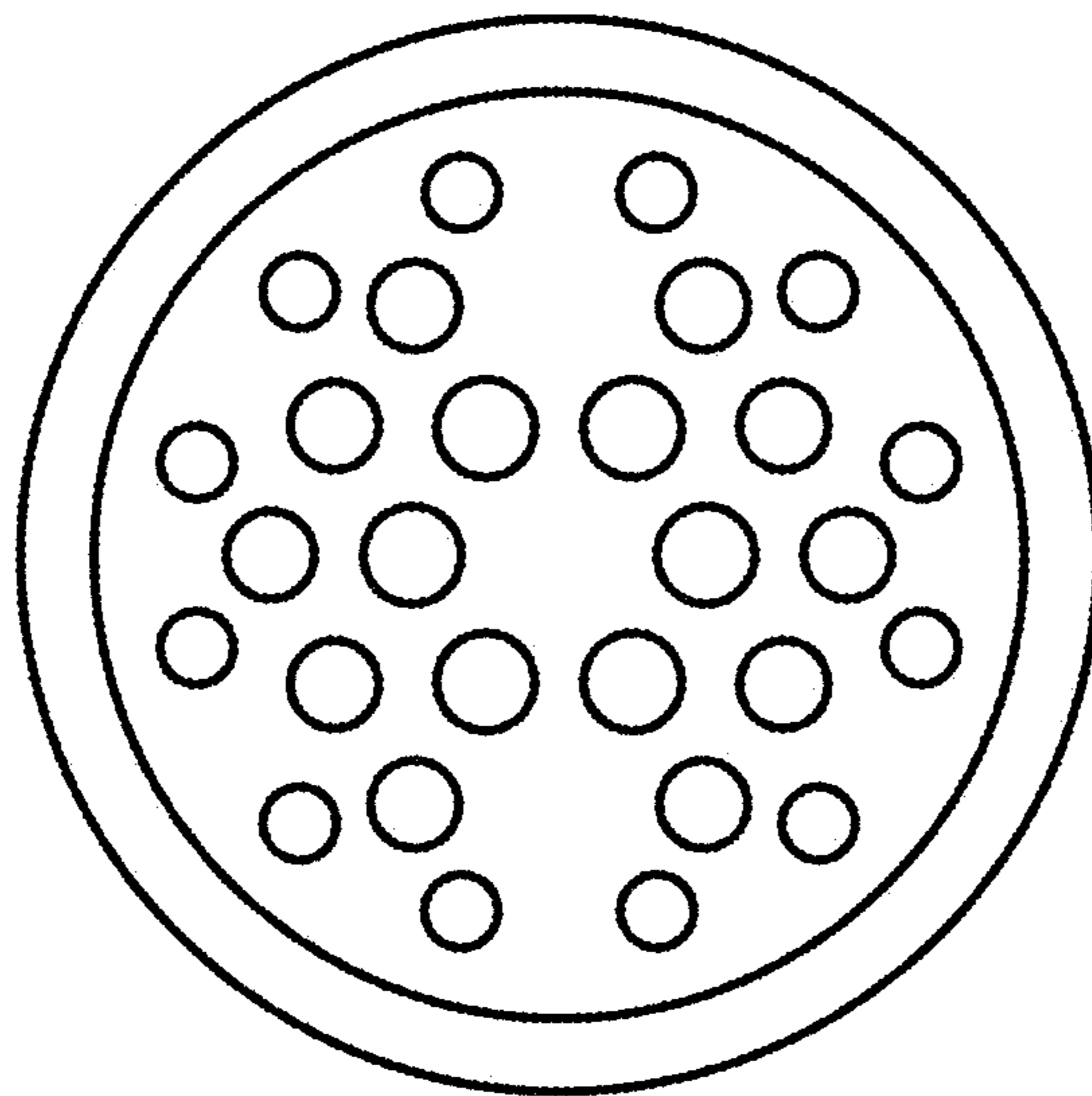


FIG. 8

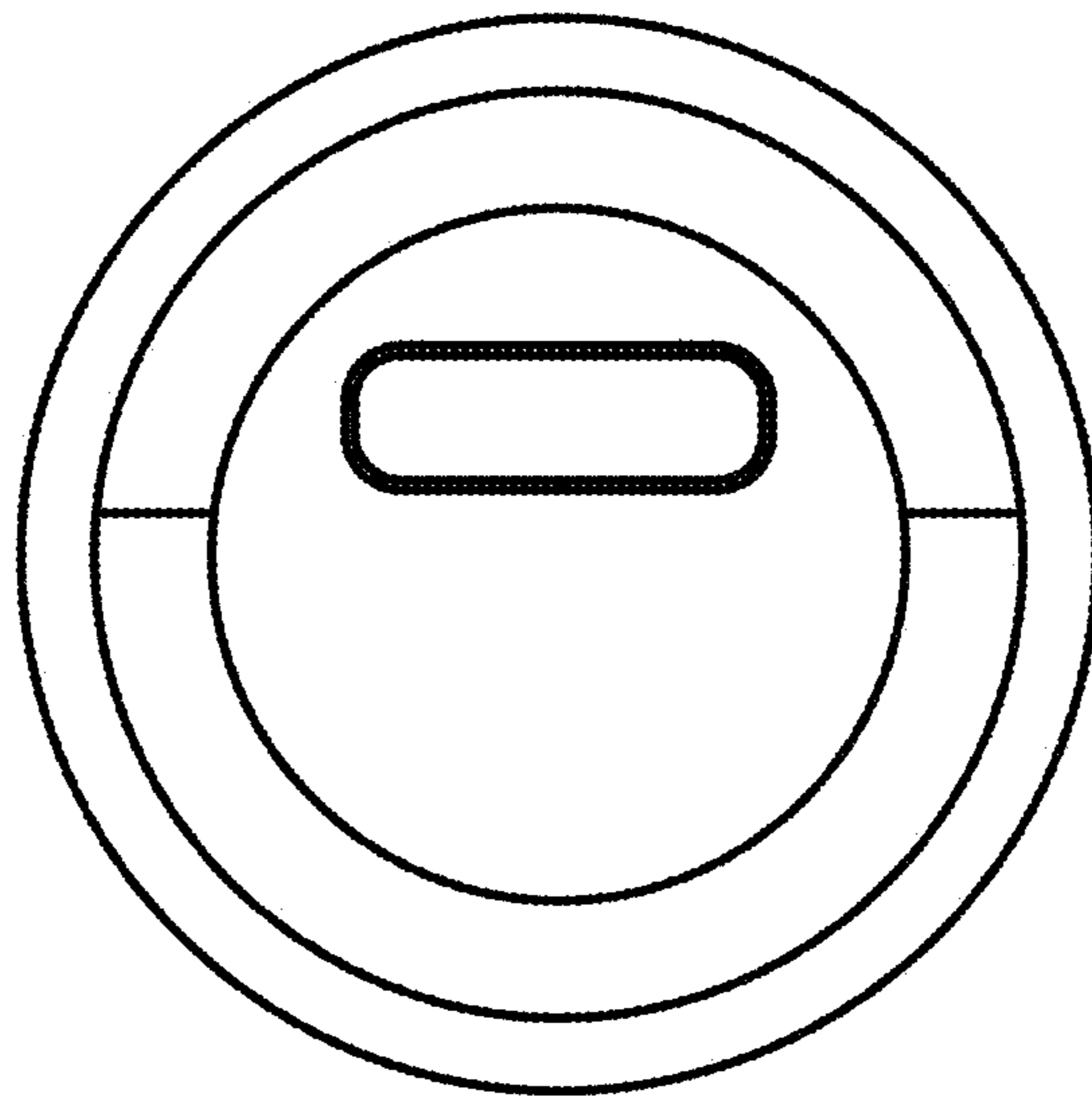


FIG. 9

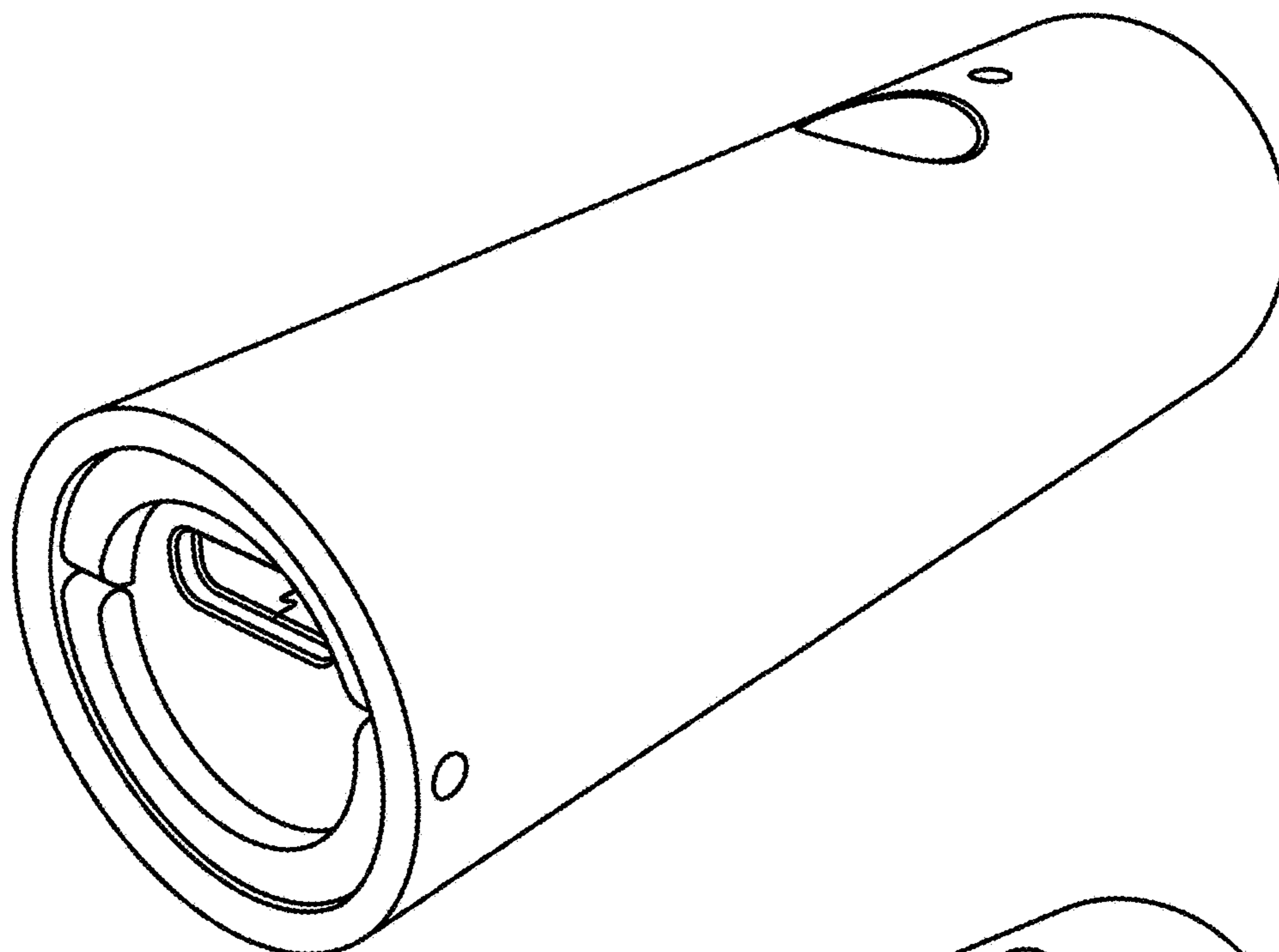


FIG. 10

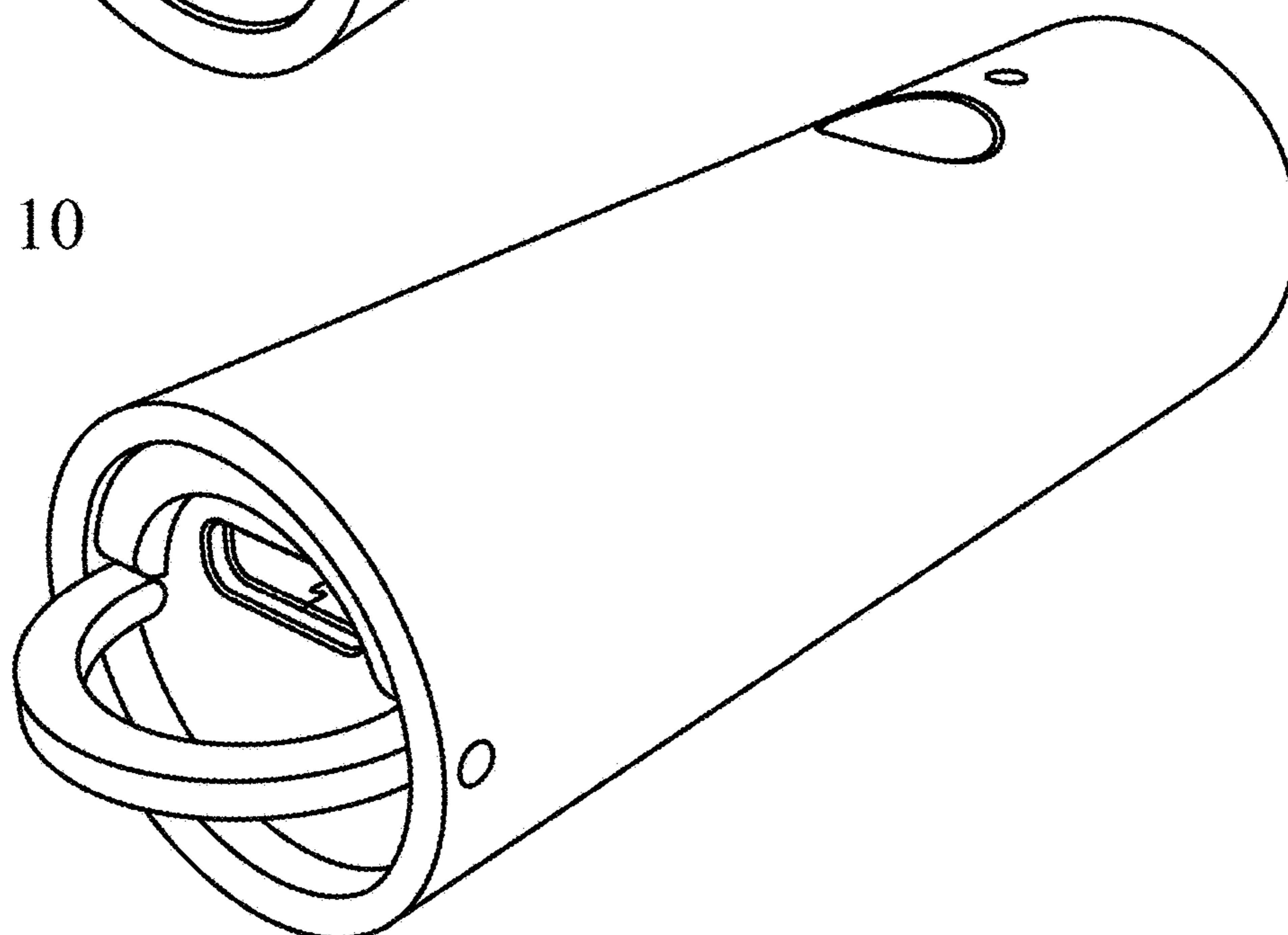


FIG. 11

