



US00D779976S

(12) **United States Design Patent**  
**Galli**

(10) **Patent No.:** **US D779,976 S**

(45) **Date of Patent:** **\*\* Feb. 28, 2017**

(54) **WATCH**

CPC ..... G04C 1/00; G04G 9/00  
See application file for complete search history.

(71) Applicant: **SALVATORE FERRAGAMO S.P.A.**,  
Florence (IT)

(56) **References Cited**

(72) Inventor: **Giorgio Galli**, Milan (IT)

U.S. PATENT DOCUMENTS

(73) Assignee: **SALVATORE FERRAGAMO S.P.A.**,  
Florence (IT)

D697,435 S \* 1/2014 Duport ..... D10/39  
D739,269 S \* 9/2015 Fazio ..... D10/129  
D743,828 S \* 11/2015 Choisnes ..... D10/124

(\*\*) Term: **15 Years**

\* cited by examiner

(21) Appl. No.: **35/500,505**

*Primary Examiner* — George D Kirschbaum

(22) Filed: **Jul. 16, 2015**

(74) *Attorney, Agent, or Firm* — Lucas & Mercanti, LLP

(80) **Hague Agreement Data**

Int. Filing Date: **Jul. 16, 2015**  
Int. Reg. No.: **DM/087381**  
Int. Reg. Date: **Jul. 16, 2015**  
Int. Reg. Pub. Date: **Jan. 22, 2016**

(57) **CLAIM**

The ornamental design for a watch, as shown and described.

(51) **LOC (10) Cl.** ..... **10-02**

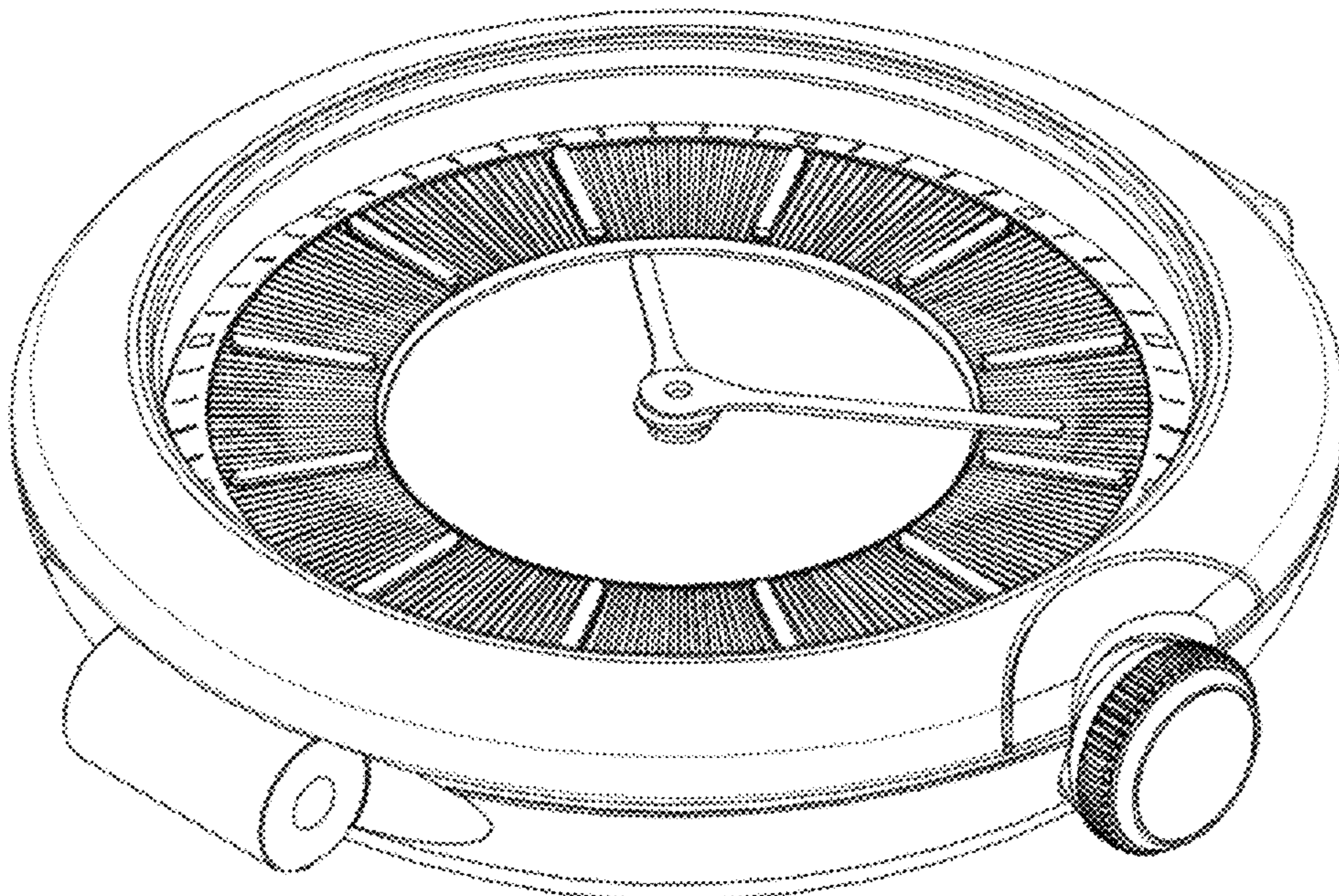
(52) **U.S. Cl.**  
USPC ..... **D10/38**

(58) **Field of Classification Search**  
USPC ..... D10/30-32, 38-39, 21-22, 126, 104.2

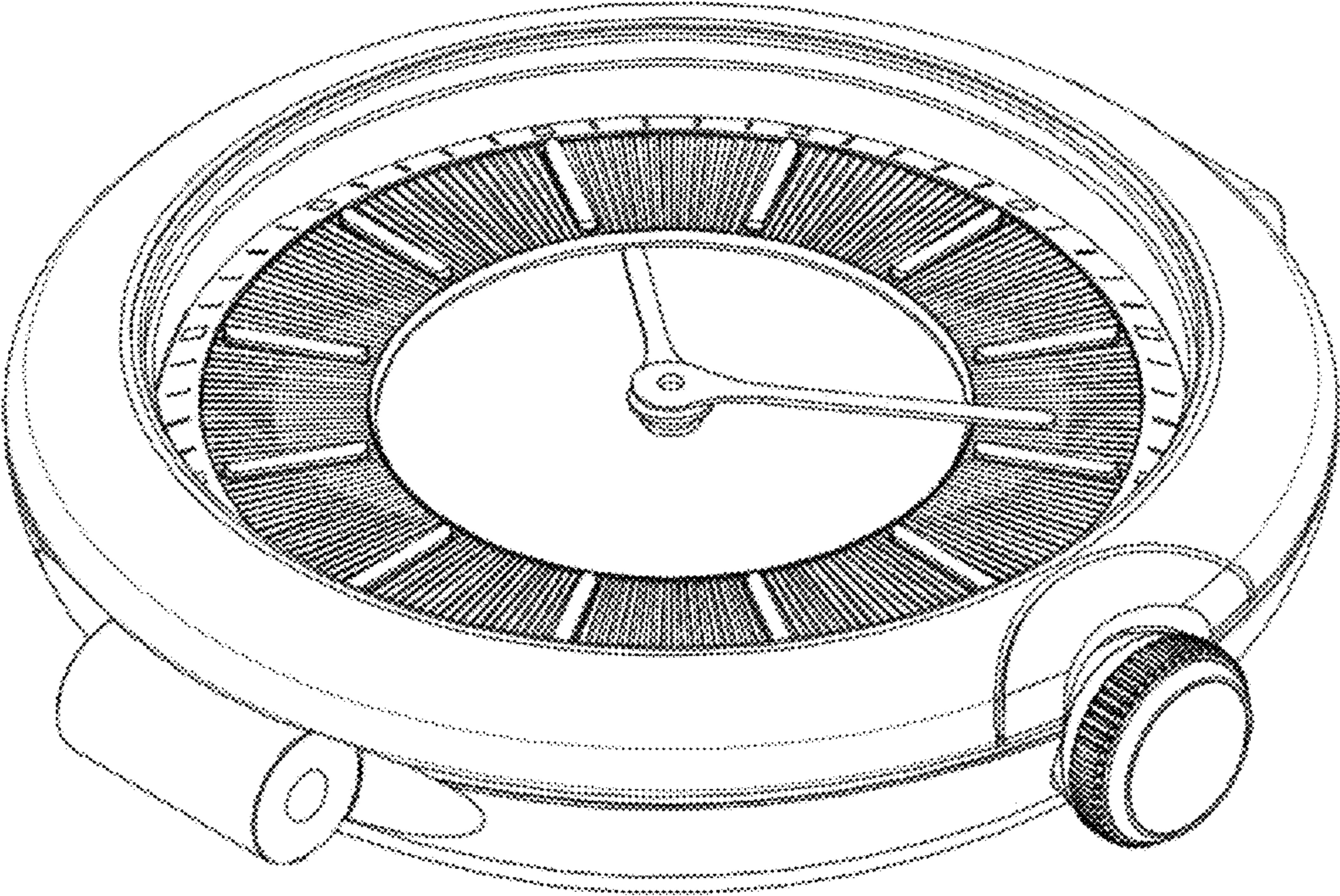
**DESCRIPTION**

1. Watch  
FIG. 1.1 is a perspective view of a watching showing my new design;  
FIG. 1.2 is a top view thereof;  
FIG. 1.3 is a bottom view thereof;  
FIG. 1.4 is a front view thereof;  
FIG. 1.5 is a right view thereof; and  
FIG. 1.6 is a left view thereof.  
The missing rear views are mirror images of the respective front view (representation 1.4).

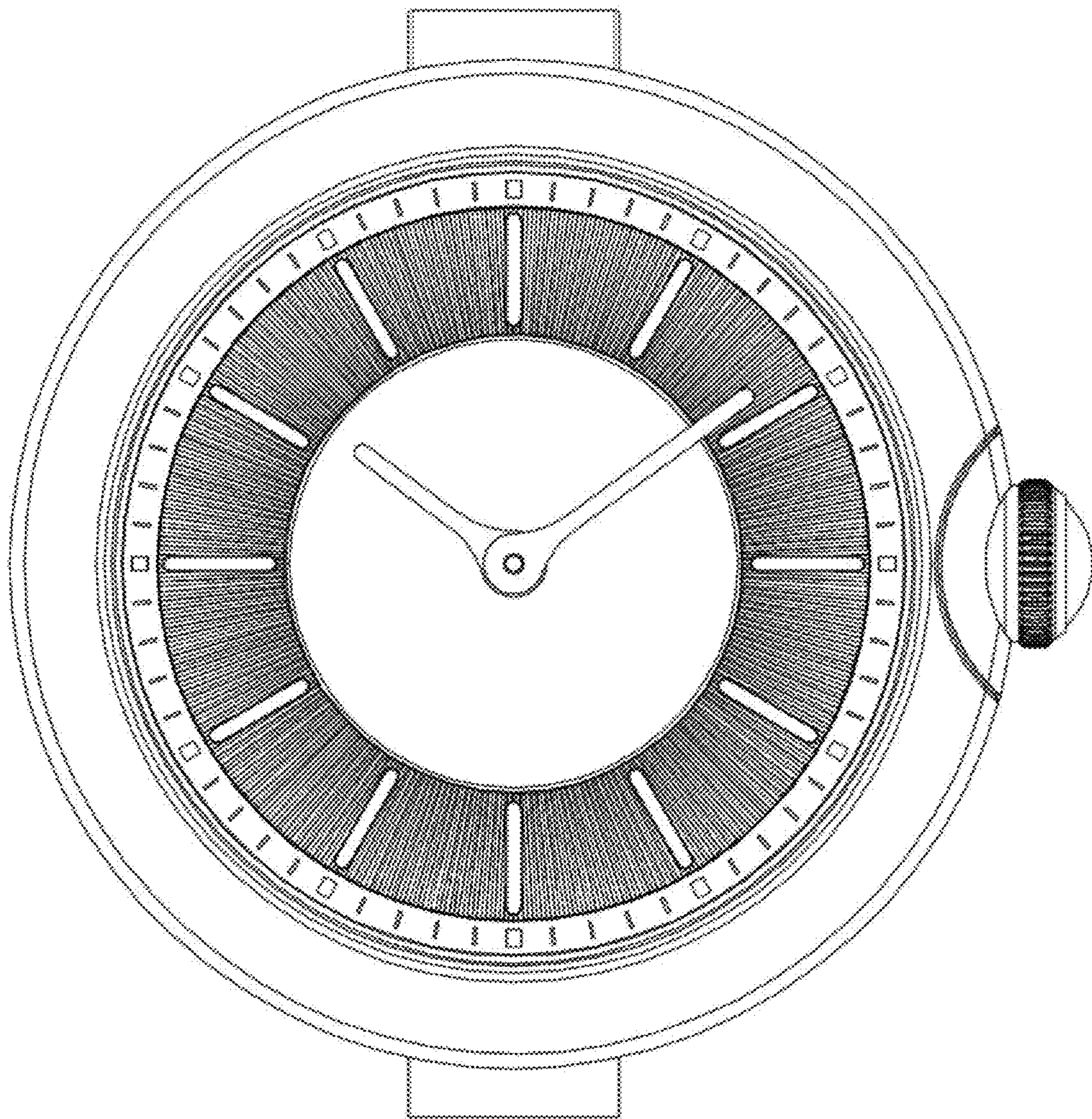
**1 Claim, 6 Drawing Sheets**



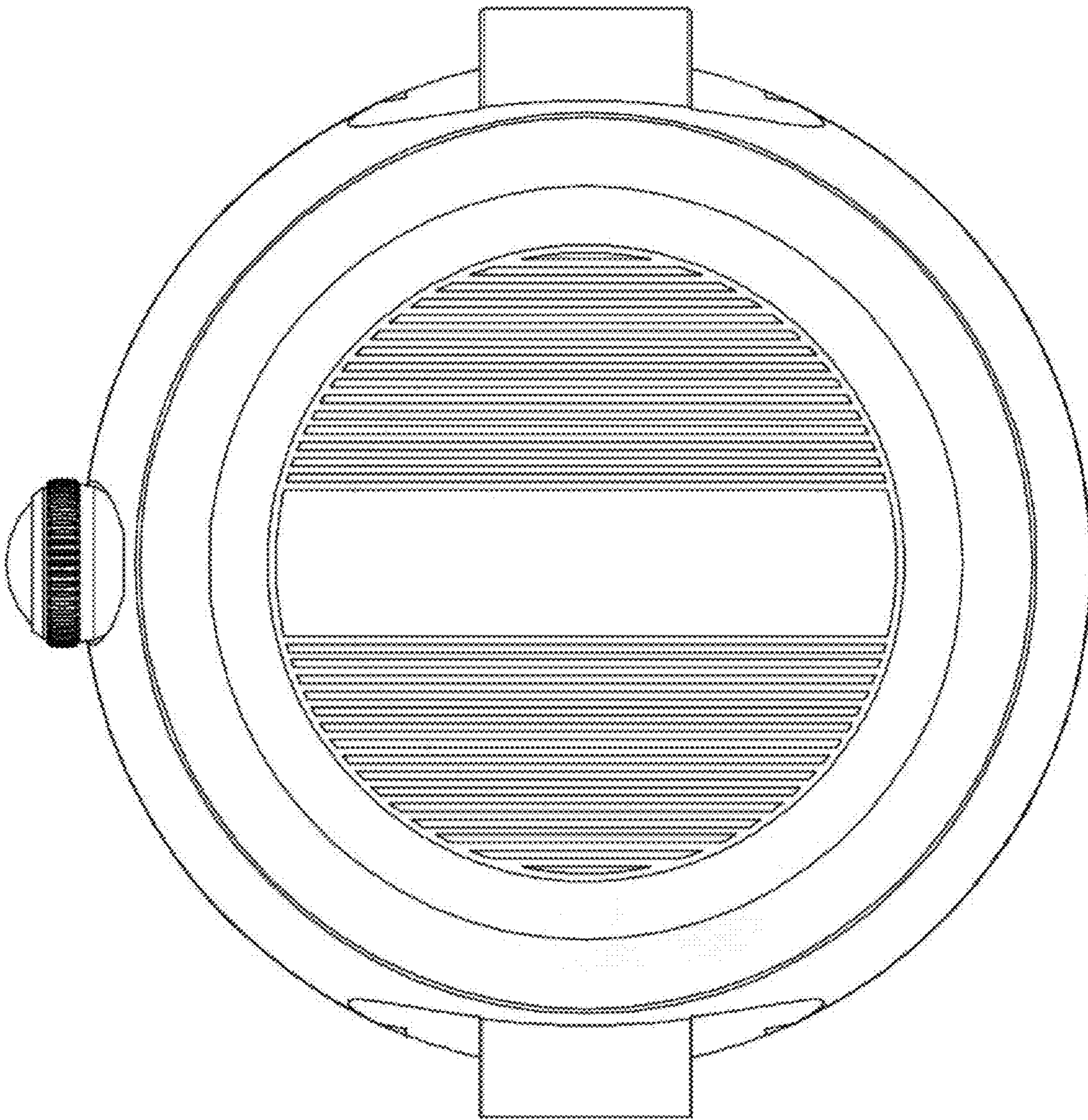
1.1



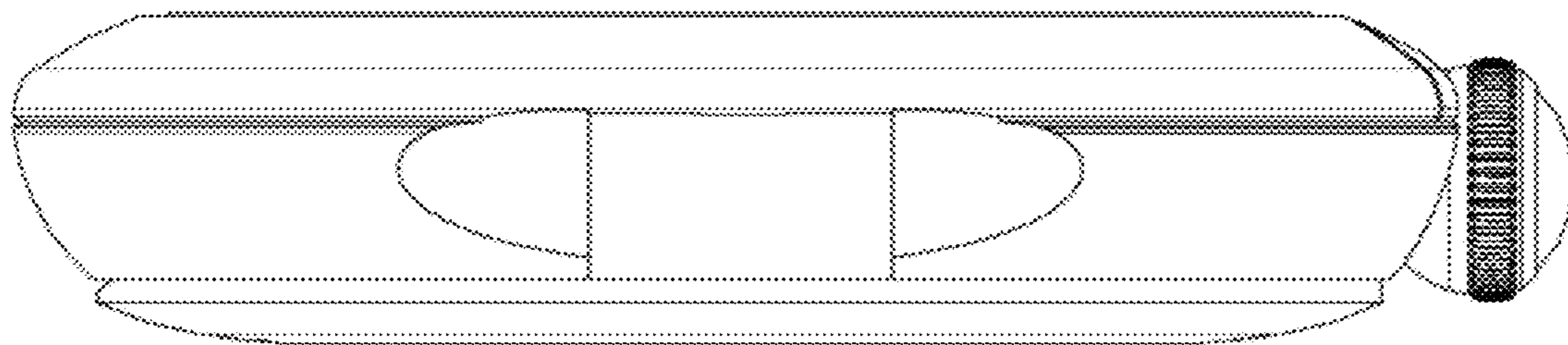
1.2



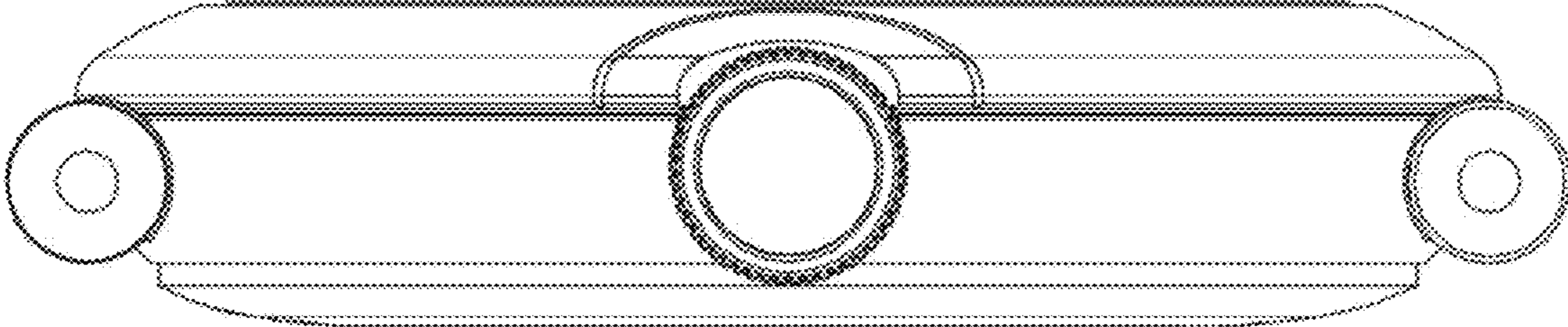
1.3



1.4



1.5



**1.6**

