



US00D779964S

(12) **United States Design Patent** (10) **Patent No.:** **US D779,964 S**  
**Miller** (45) **Date of Patent:** **\*\* \*Feb. 28, 2017**

(54) **PERFUME BOTTLE**

(71) Applicant: **The Procter & Gamble Company**,  
Cincinnati, OH (US)

(72) Inventor: **Douglas Scott Miller**, Lebanon, OH  
(US)

(73) Assignee: **The Procter & Gamble Company**,  
Cincinnati, OH (US)

(\*) Notice: This patent is subject to a terminal disclaimer.

(\*\*) Term: **14 Years**

(21) Appl. No.: **29/493,016**

(22) Filed: **Jun. 5, 2014**

(51) **LOC (10) Cl.** ..... **09-01**

(52) **U.S. Cl.**  
USPC ..... **D9/694; D9/560**

(58) **Field of Classification Search**  
USPC ..... D9/682, 686-693, 503, 505, 516, 517,  
D9/520, 544-546, 559-561, 571-573,  
D9/435, 436, 439, 440, 443, 447, 448,  
D9/454, 745; D28/76, 77, 91.1, 91;  
215/10, 370, 373, 378; 220/608, 662, 665  
CPC . B05B 11/00; B05B 11/0035; B05B 11/0037;  
B05B 11/30; B05B 11/3001; B65D  
83/0033; B65D 83/14; B65D 83/16;  
B65D 83/20; B65D 83/205; B65D  
83/206; B65D 83/28; B65D 83/38; B65D  
83/384; B65D 83/40; B65D 1/0223;  
B65D 25/40; B65D 25/42; B65D 25/48;  
B65D 2501/00; B65D 2501/0081; B65D  
1/00; B65D 21/0231; B65D 39/0094;  
A45D 34/00; A45D 34/02; A45D 34/04;  
A45D 2034/007; A45D 2200/057

See application file for complete search history.

(56) **References Cited**

U.S. PATENT DOCUMENTS

D48,119 S *	11/1915	Luyties .....	D9/545
D81,633 S *	7/1930	Wagner .....	D9/520
D104,396 S *	5/1937	Fehr .....	D9/503
D259,173 S *	5/1981	Lauren .....	D9/560
D279,079 S *	6/1985	Pourtout .....	D9/553
D330,222 S *	10/1992	Suxdorf .....	D19/93
D385,793 S *	11/1997	Marsal .....	D9/503
D386,949 S *	12/1997	McArdle .....	D7/590
D408,738 S *	4/1999	Wu .....	D9/503
D412,283 S *	7/1999	de Baschmakoff .....	D9/544
D463,746 S *	10/2002	de Baschmakoff .....	D9/500
D511,688 S *	11/2005	Baron .....	D9/560
D515,940 S *	2/2006	Kratko .....	D9/745
D532,937 S *	11/2006	Noh .....	D28/76
D542,670 S *	5/2007	Herrmann .....	D9/560
D565,963 S *	4/2008	Slimane .....	D9/687
D580,778 S *	11/2008	Konckier .....	D9/694
D604,629 S *	11/2009	Aebi .....	D9/544
D604,630 S *	11/2009	Canamasas Puigbo .....	D9/560
D628,489 S *	12/2010	Caten et al. ....	D9/523

(Continued)

Primary Examiner — Catherine Tuttle

(74) Attorney, Agent, or Firm — Betty J. Zea

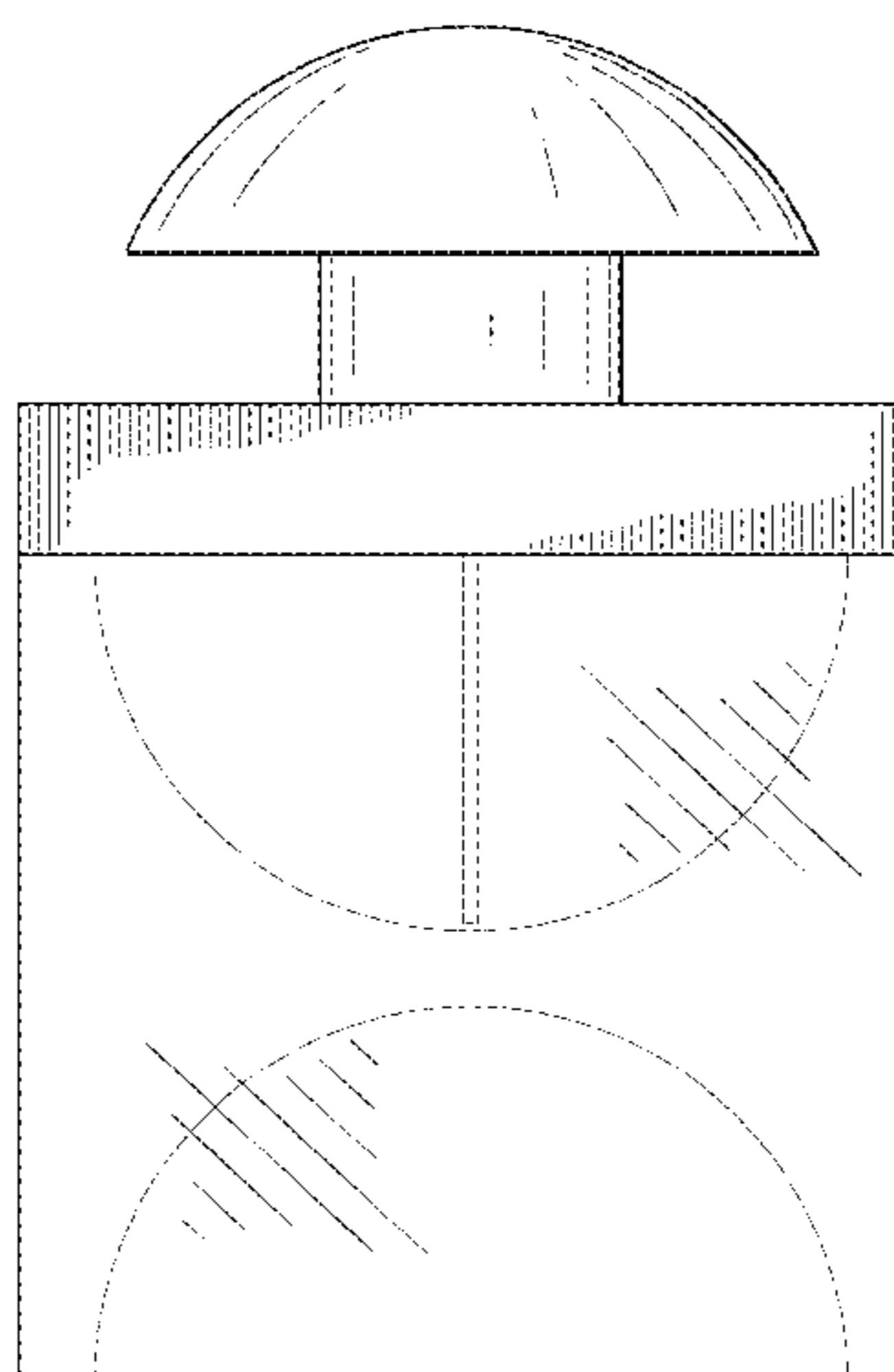
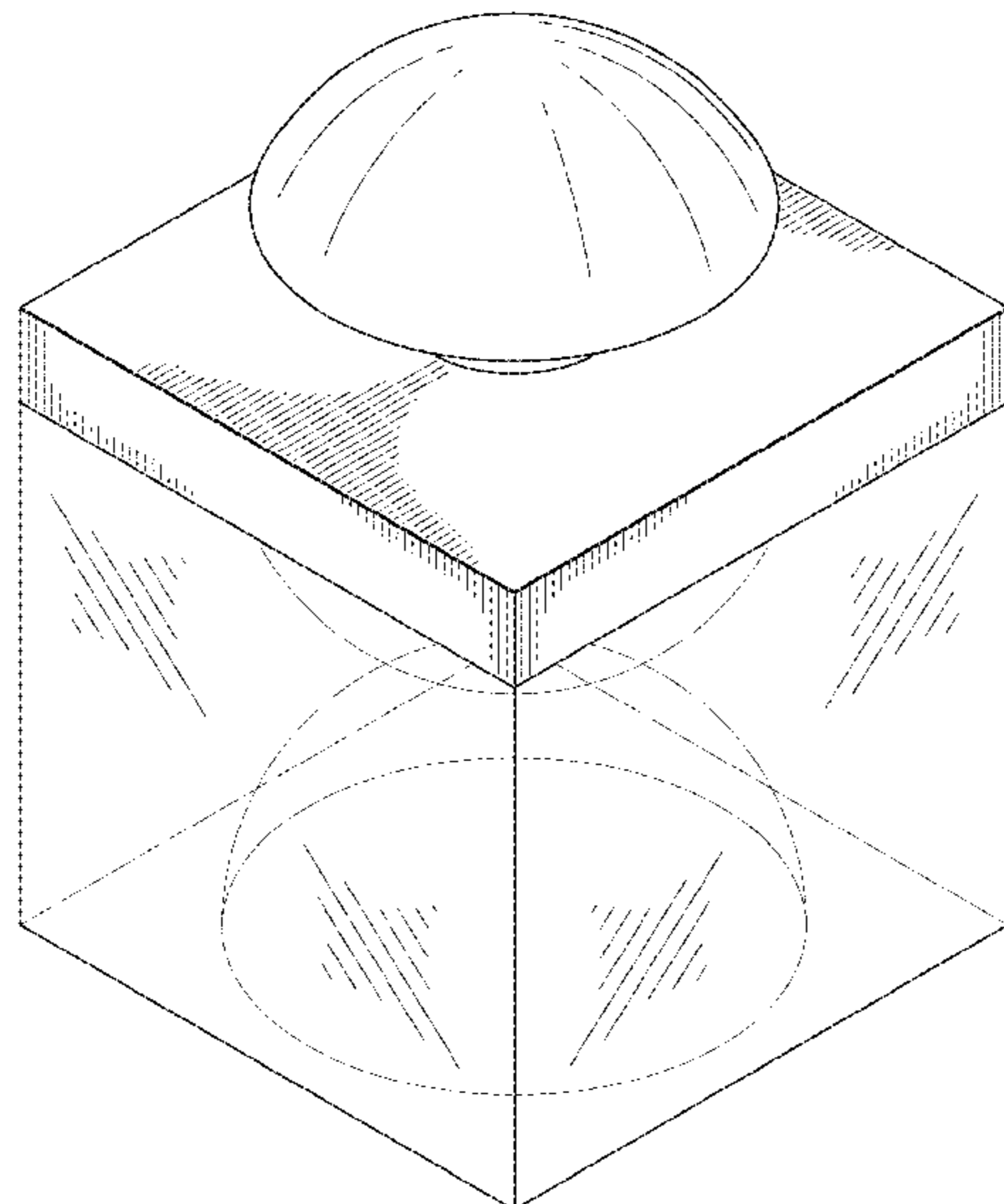
(57) **CLAIM**

The ornamental design for a perfume bottle, as shown and described.

**DESCRIPTION**

FIG. 1 is an isometric view of the perfume bottle, embodying the new design;  
FIG. 2 is a front view thereof;  
FIG. 3 is a back view thereof;  
FIG. 4 is a right view thereof;  
FIG. 5 is a left view thereof;  
FIG. 6 is a top view thereof; and,  
FIG. 7 is a bottom view thereof.

**1 Claim, 6 Drawing Sheets**



(56)

**References Cited**

U.S. PATENT DOCUMENTS

D669,366	S	*	10/2012	Baron	.....	D9/692
8,869,563	B2		10/2014	Froissart et al.		
D717,176	S	*	11/2014	Gomez	.....	D9/560
D725,481	S	*	3/2015	Tarbox	.....	D9/632
9,145,321	B2		9/2015	Froissart et al.		
2013/0145797	A1		6/2013	Lequien et al.		
2014/0212606	A1		7/2014	Bruneau et al.		

\* cited by examiner

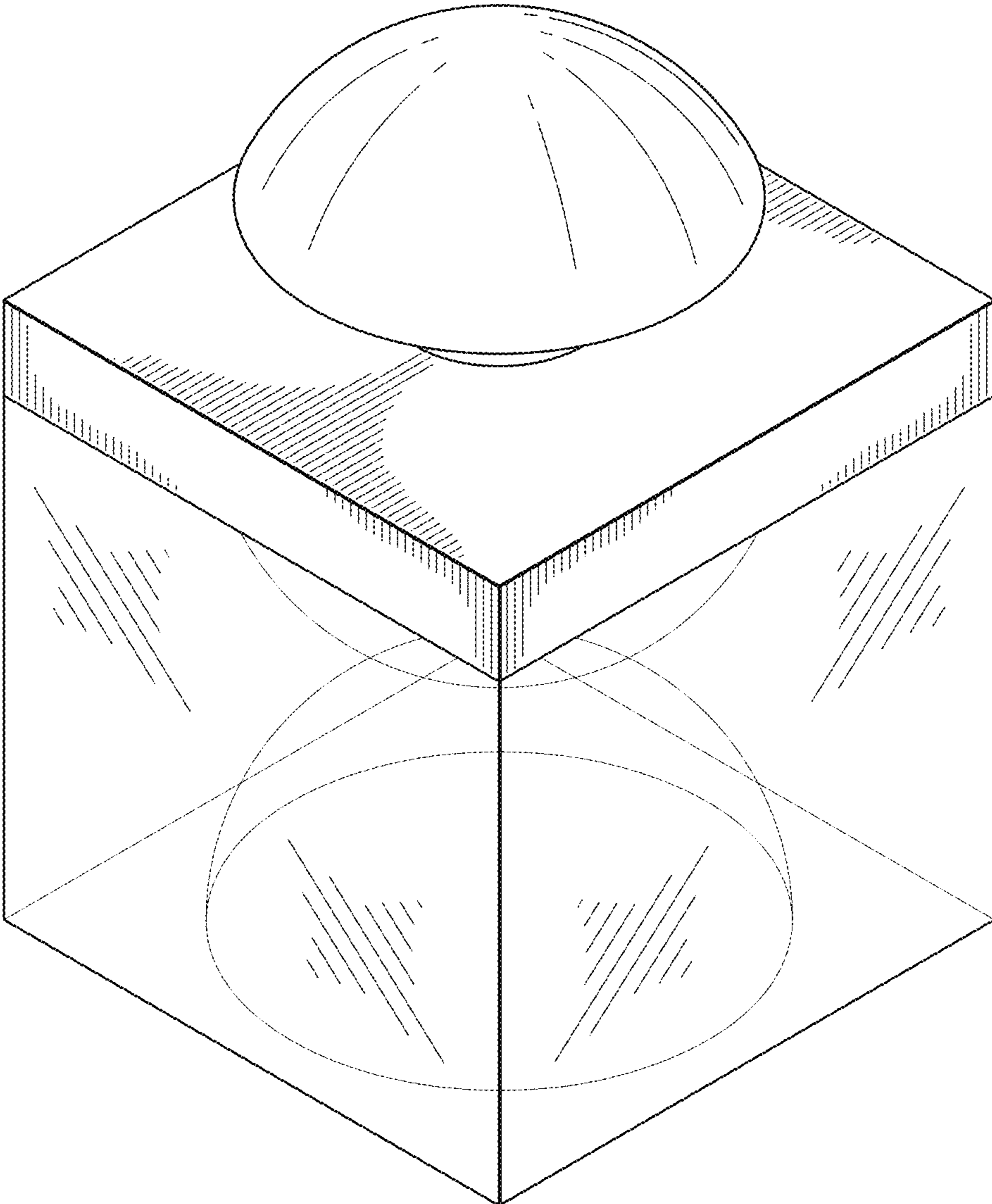


FIG. 1

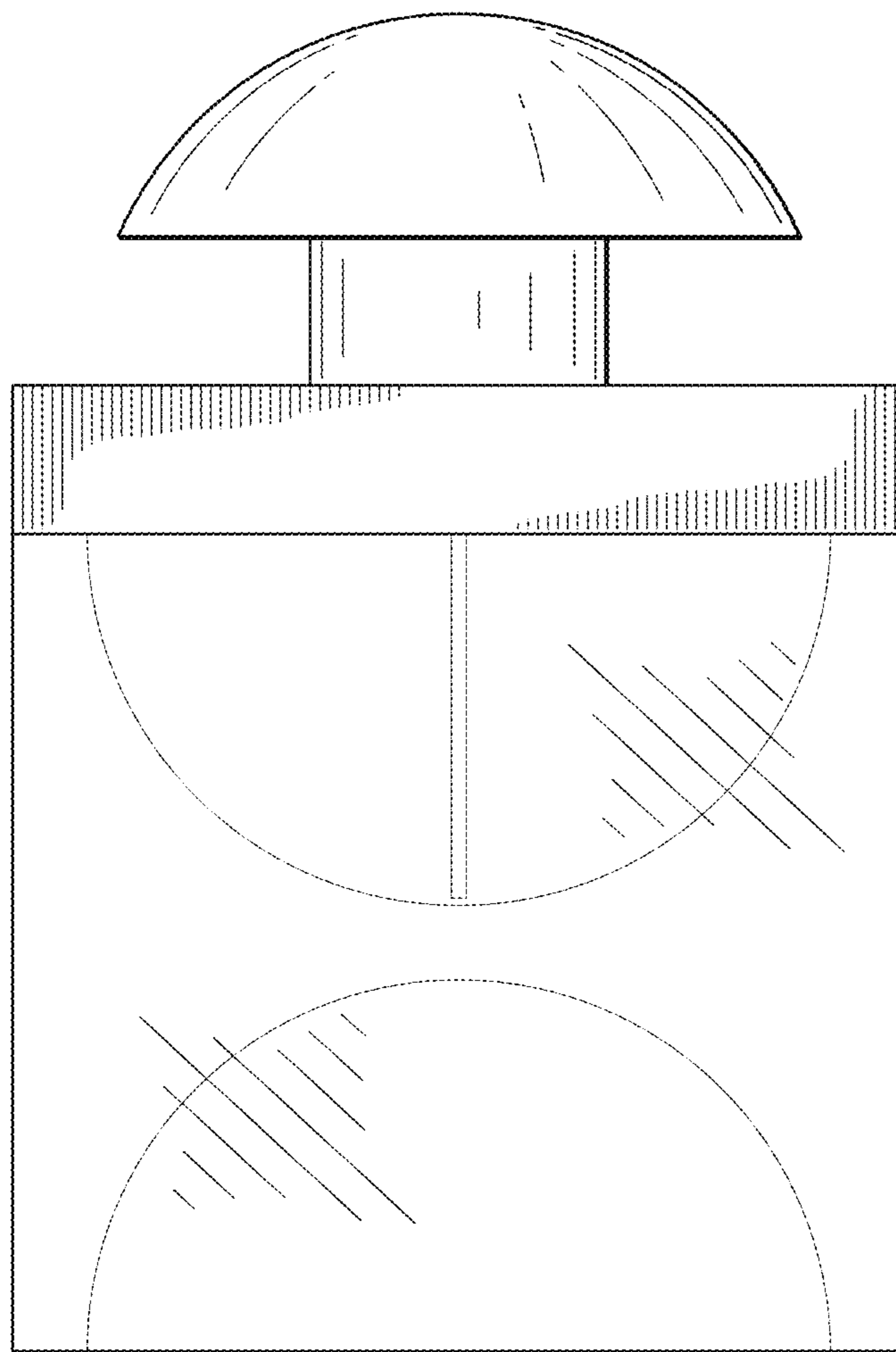


FIG. 2

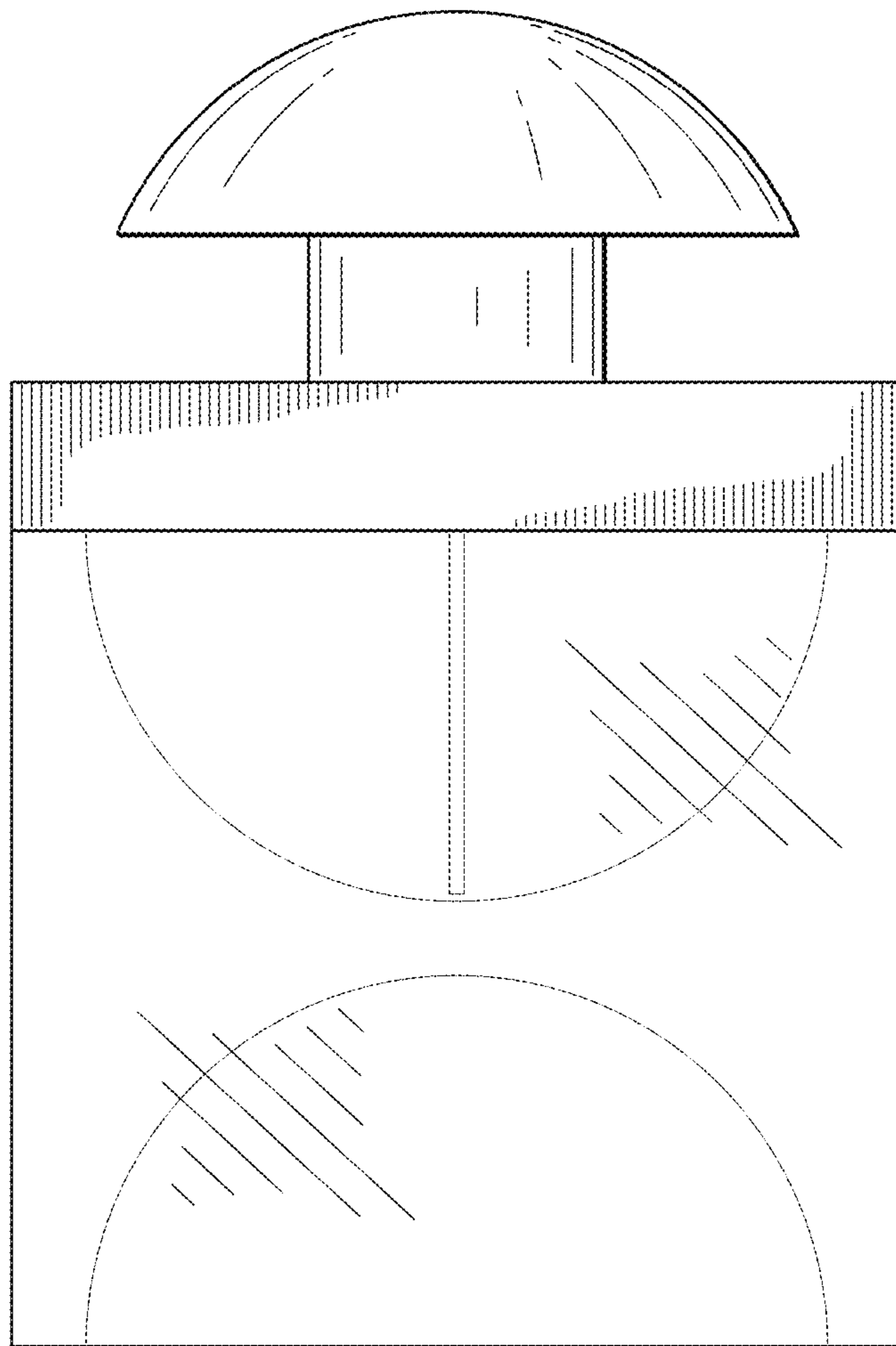


FIG. 3

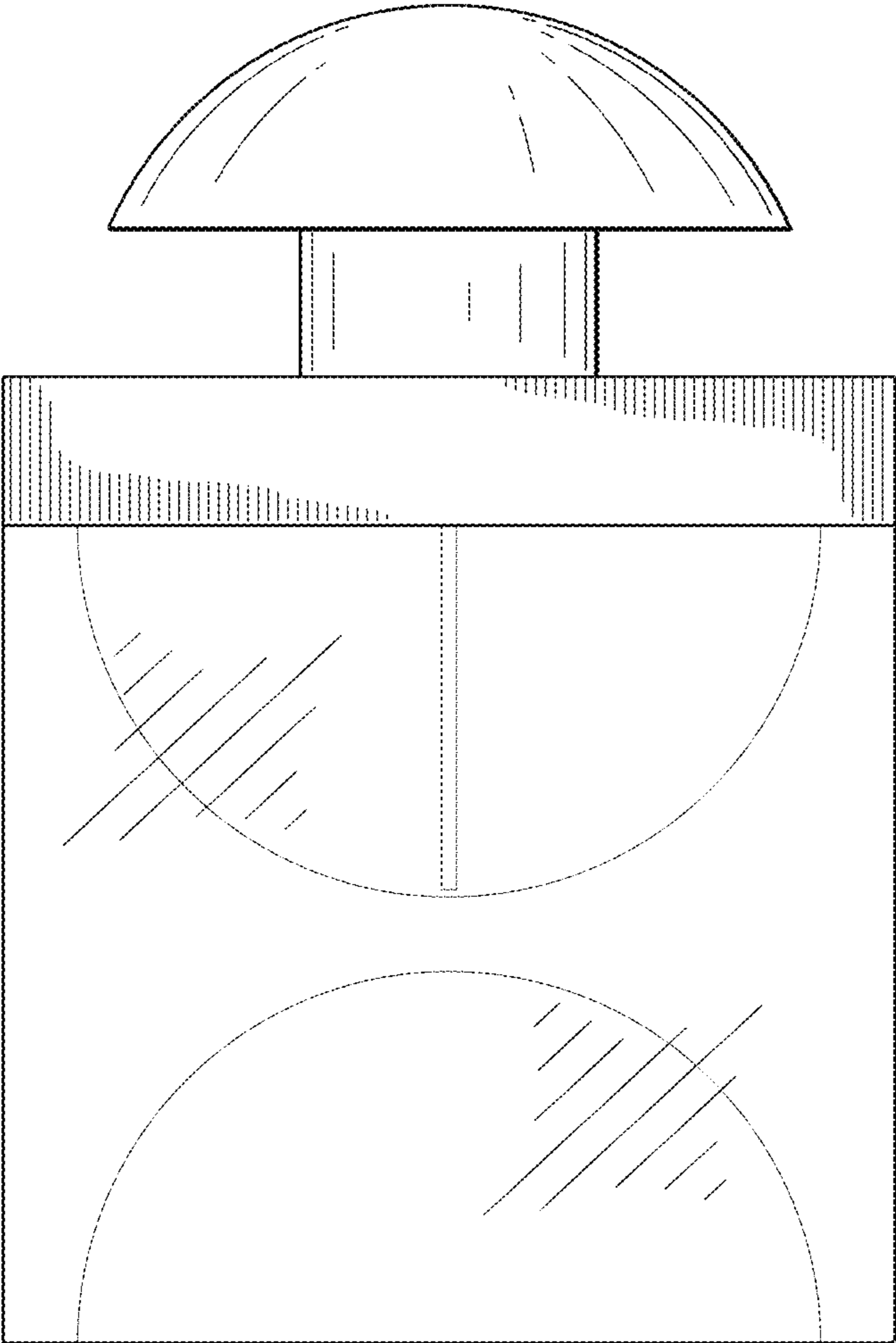


FIG. 4

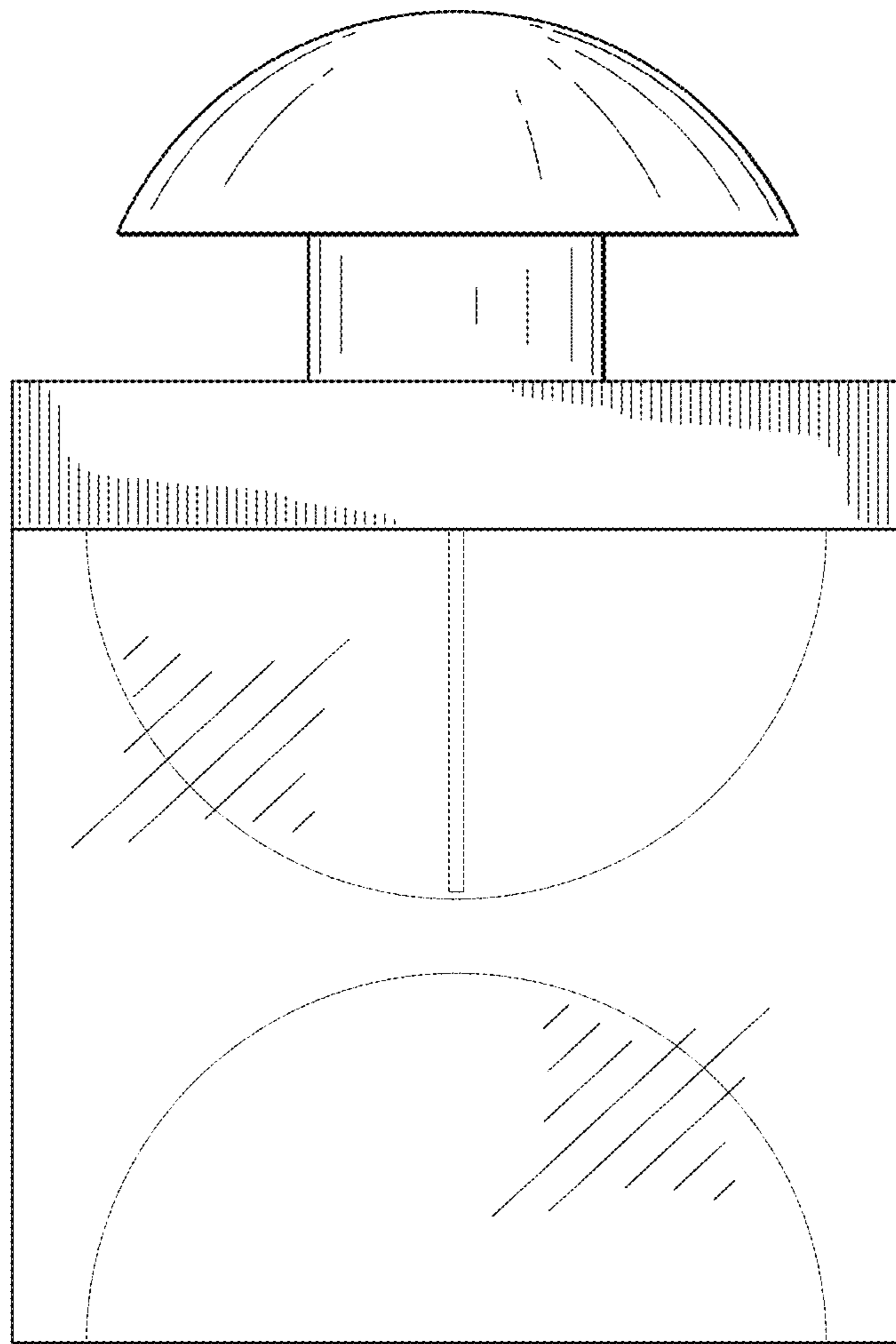


FIG. 5

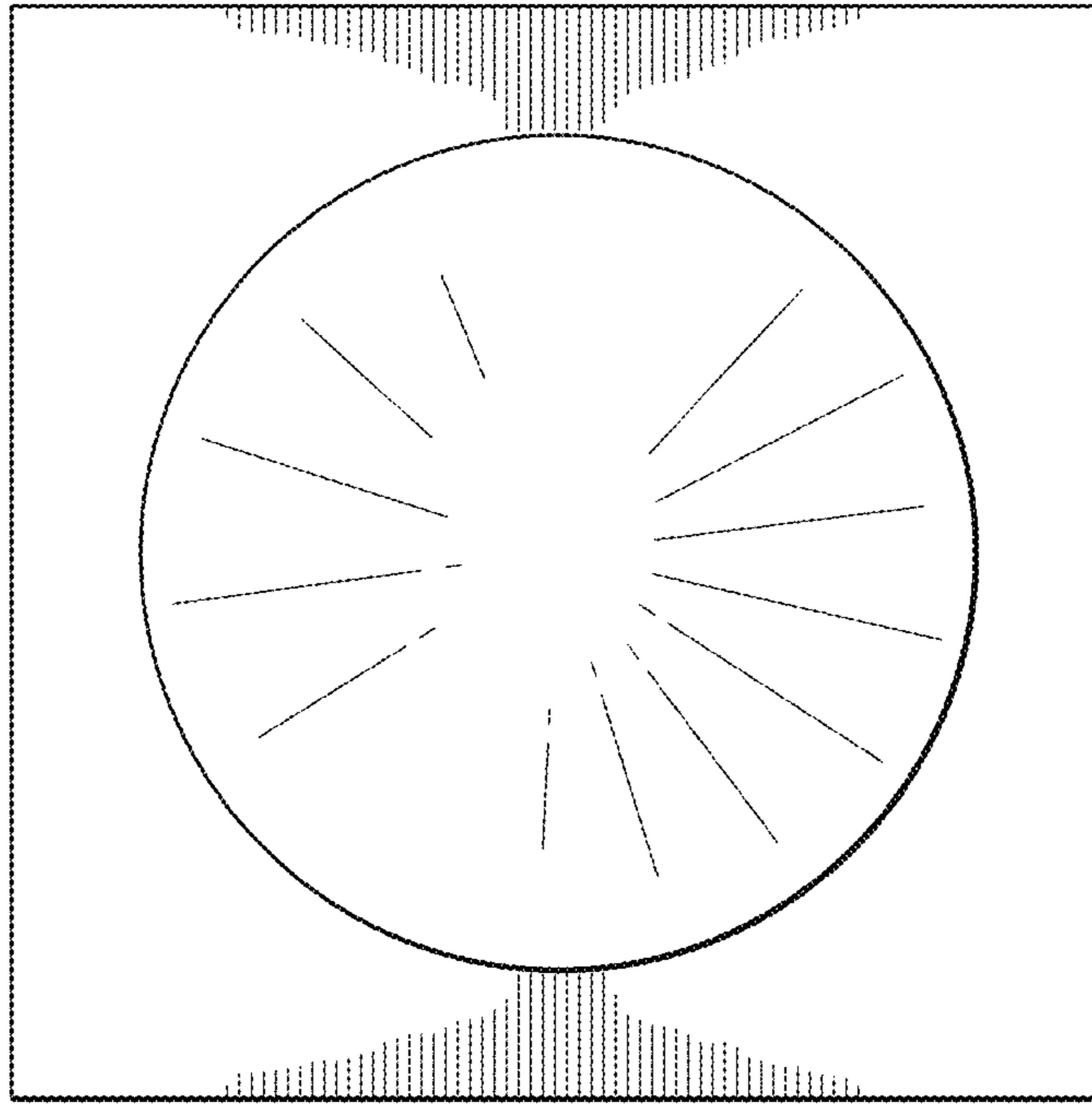


FIG. 6

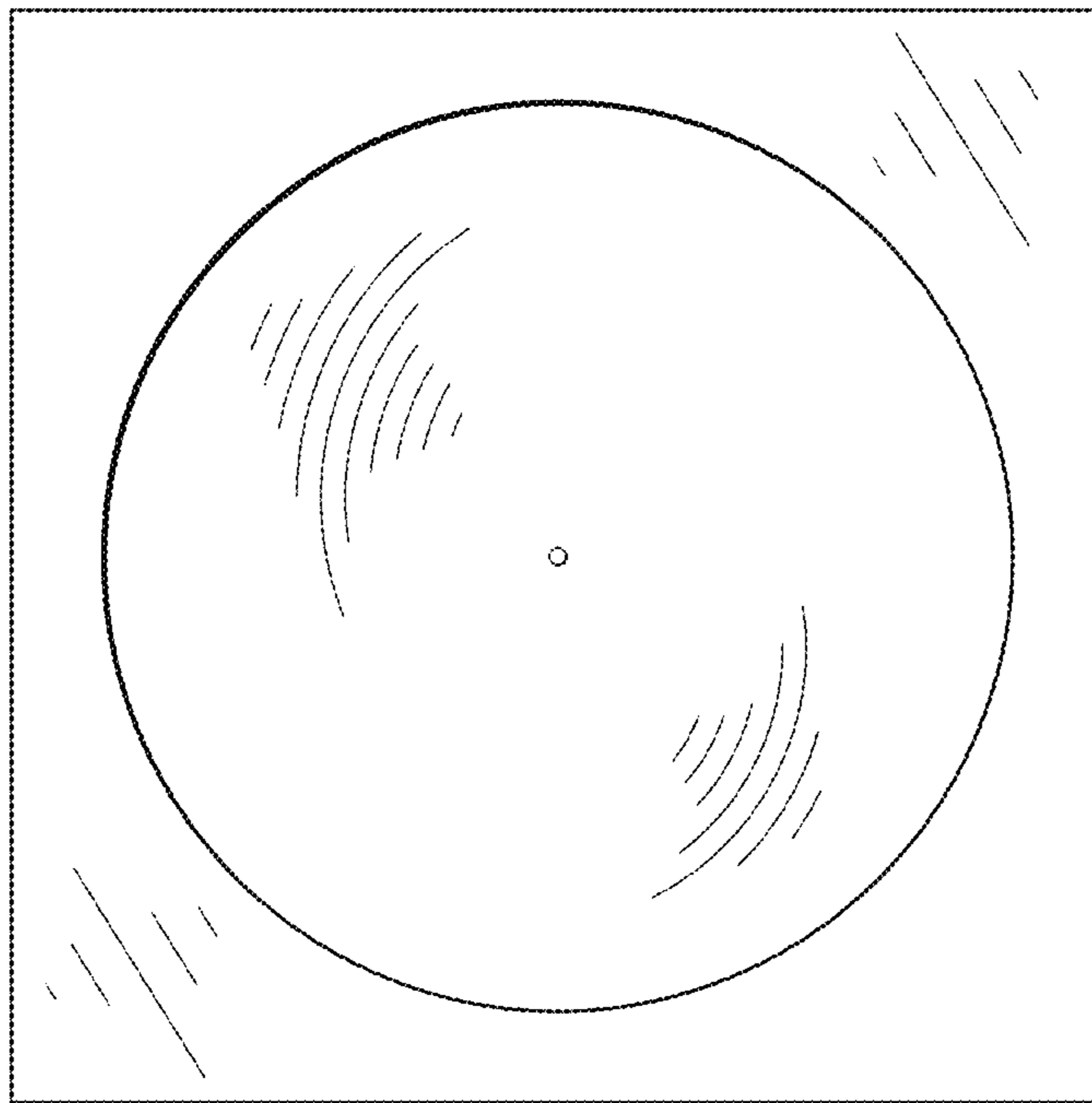


FIG. 7