



US00D779953S

(12) **United States Design Patent** (10) **Patent No.:** **US D779,953 S**  
**Ring et al.** (45) **Date of Patent:** **\*\* Feb. 28, 2017**

(54) **LARGE FORMAT CONTAINER**

(71) Applicant: **RING Container Technologies, LLC**,  
Oakland, TN (US)

(72) Inventors: **Carl Ring**, Oakland, TN (US); **Dan Futral**,  
Somerville, TN (US); **Brian Smith**, Oakland, TN (US); **Doug Dygert**,  
Olive Branch, MS (US)

(73) Assignee: **Ring Container Technologies, LLC**,  
Oakland, TN (US)

(\*\*) Term: **14 Years**

(21) Appl. No.: **29/516,830**

(22) Filed: **Feb. 6, 2015**

(51) **LOC (10) Cl.** ..... **09-01**

(52) **U.S. Cl.**  
USPC ..... **D9/560**

(58) **Field of Classification Search**  
USPC ..... D9/506, 531, 527, 528, 516,  
530,D9/541-43, 546, 559, 563, 569, 570,  
574, 575,D9/564, 565, 571, 667, 745;  
215/381-85

CPC ..... B65D 1/00; B65D 1/02; B65D 1/0207;  
B65D 1/0223

See application file for complete search history.

(56) **References Cited**

**U.S. PATENT DOCUMENTS**

D509,984 S *	9/2005	Zboch	.....	D9/543
D539,156 S *	3/2007	Fraser	.....	D9/531
D578,400 S *	10/2008	Sasaki	.....	D9/542
D589,803 S *	4/2009	Sasaki	.....	D9/516
D653,550 S *	2/2012	Hunter	.....	D9/542
2008/0000867 A1 *	1/2008	Lane	.....	B65D 1/0223 215/10

**OTHER PUBLICATIONS**

Nestle Agua Purificada Sin Gas, posted on lider.cl, no posted date given, no production date given, [online], [site visited Oct. 26,

2016], Available from Internet, <URL: [https://www.lider.cl/walmart/catalog/product/productDetails.jsp?skuId=5086597&pId=cat480001&productId=PROD\\_5086597&navAction=push](https://www.lider.cl/walmart/catalog/product/productDetails.jsp?skuId=5086597&pId=cat480001&productId=PROD_5086597&navAction=push)>.\*

Sogo Bottled Drinking Water, posted on sogowater.com, site copyright dated 2014, no production date given, [online], [site visited Oct. 26, 2016], Available from Internet, <URL: [http://www.sogowater.com/#!/Water\\_plant](http://www.sogowater.com/#!/Water_plant)>.\*

Crystal Geyser Natural Alpine Spring Water, 1 gal Bottle, posted on walmart.com, no posted date given, no production date given, [online], [site visited Oct. 26, 2016], Available from Internet, <URL: <https://www.walmart.com/ip/Crystal-Geyser-Natural-Alpine-Spring-Water-1-gal/20551360#about>>.\*

PET Bottles, posted on premierpackaging.co.za, site copyright dated 2008, no production date given, [online], [site visited Oct. 26, 2016], Available from Internet, <URL: [http://www.premierpackaging.co.za/PET\\_bottles.html](http://www.premierpackaging.co.za/PET_bottles.html)>.\*

\* cited by examiner

*Primary Examiner* — Eric Goodman

*Assistant Examiner* — Fritzgerald Butac

(74) *Attorney, Agent, or Firm* — Sorell Lenna & Schmidt, LLP

(57) **CLAIM**

The ornamental design for a large format container, as shown and described.

**DESCRIPTION**

FIG. 1 is a front view of a large format container showing our new design (the rear side is the same);

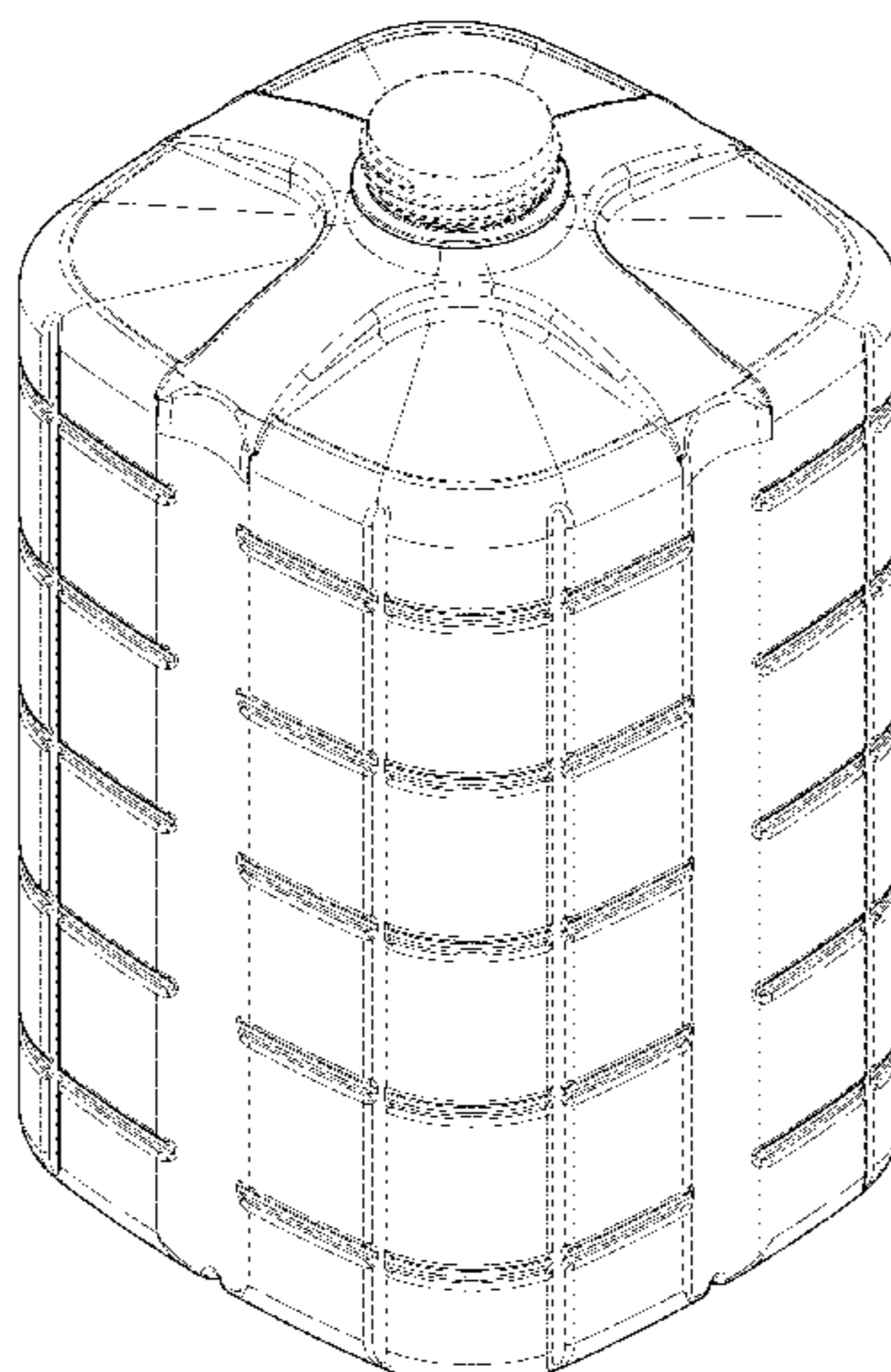
FIG. 2 is a right side view thereof (the left side is the same);

FIG. 3 is to top side plan view thereof; and,

FIG. 4 is a perspective view of the front side, right side and top side thereof.

The broken lines shown in the drawings illustrate portions of the large format container that form no part of the claimed design.

**1 Claim, 4 Drawing Sheets**



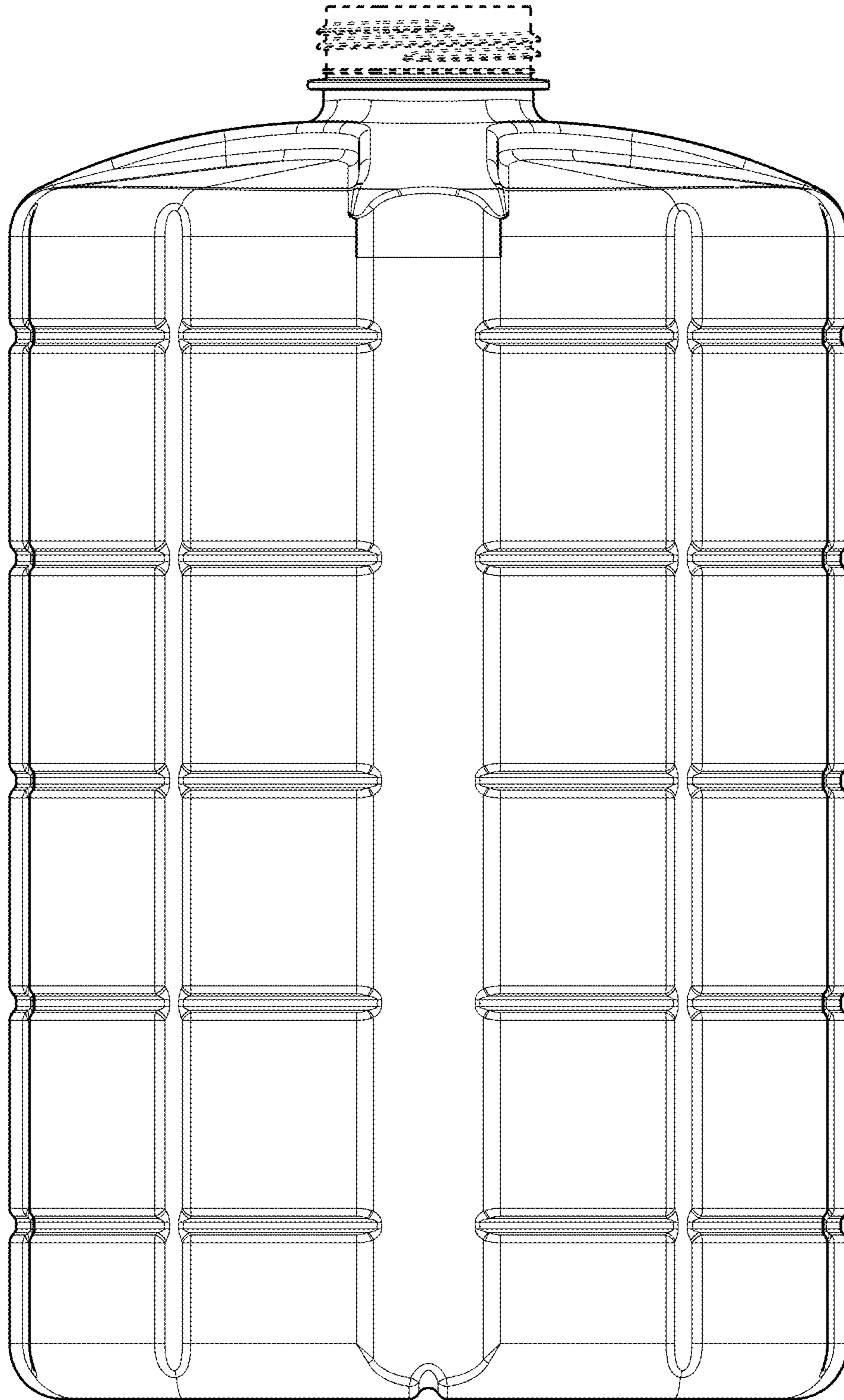


Fig 1

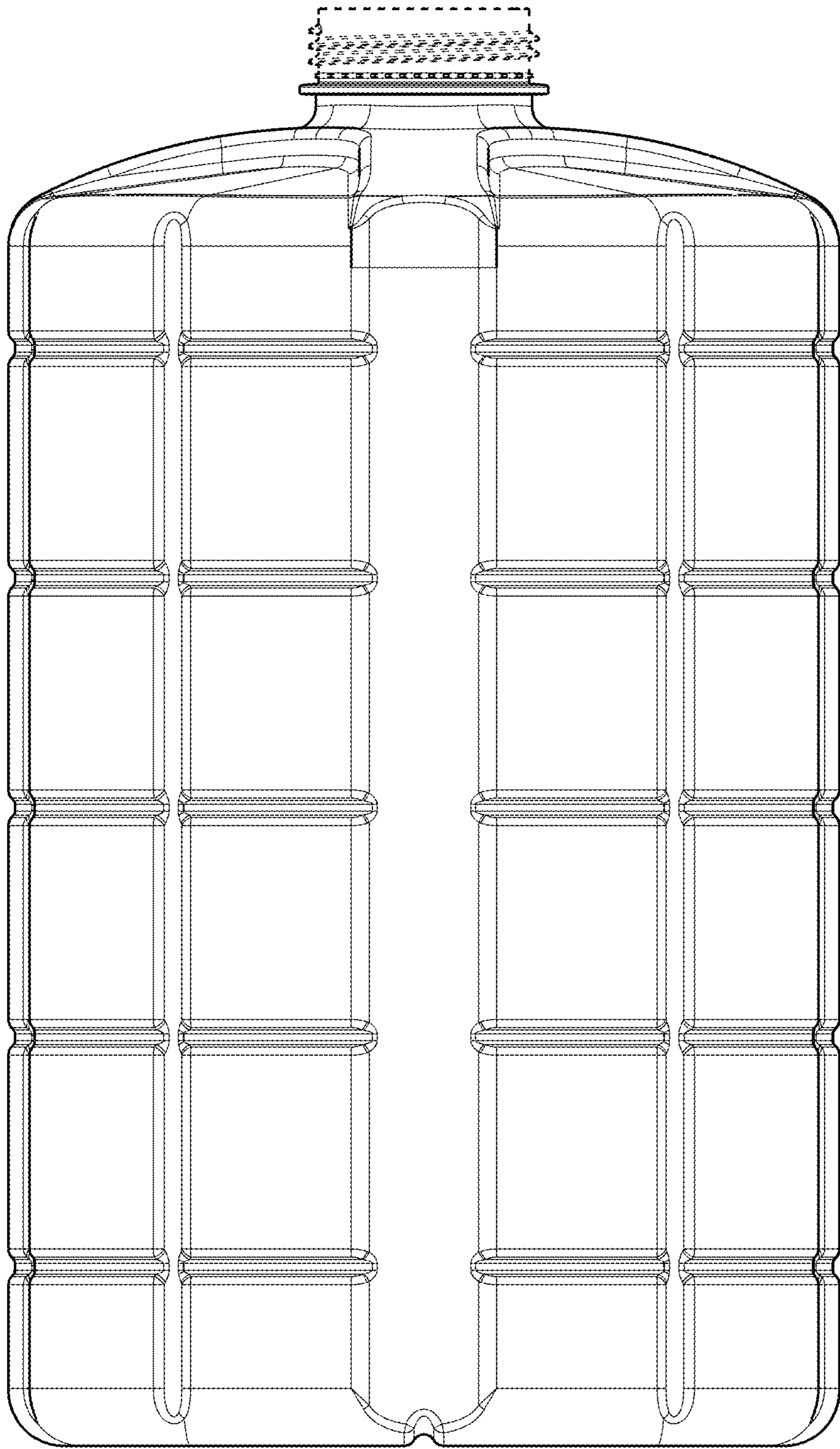


Fig 2

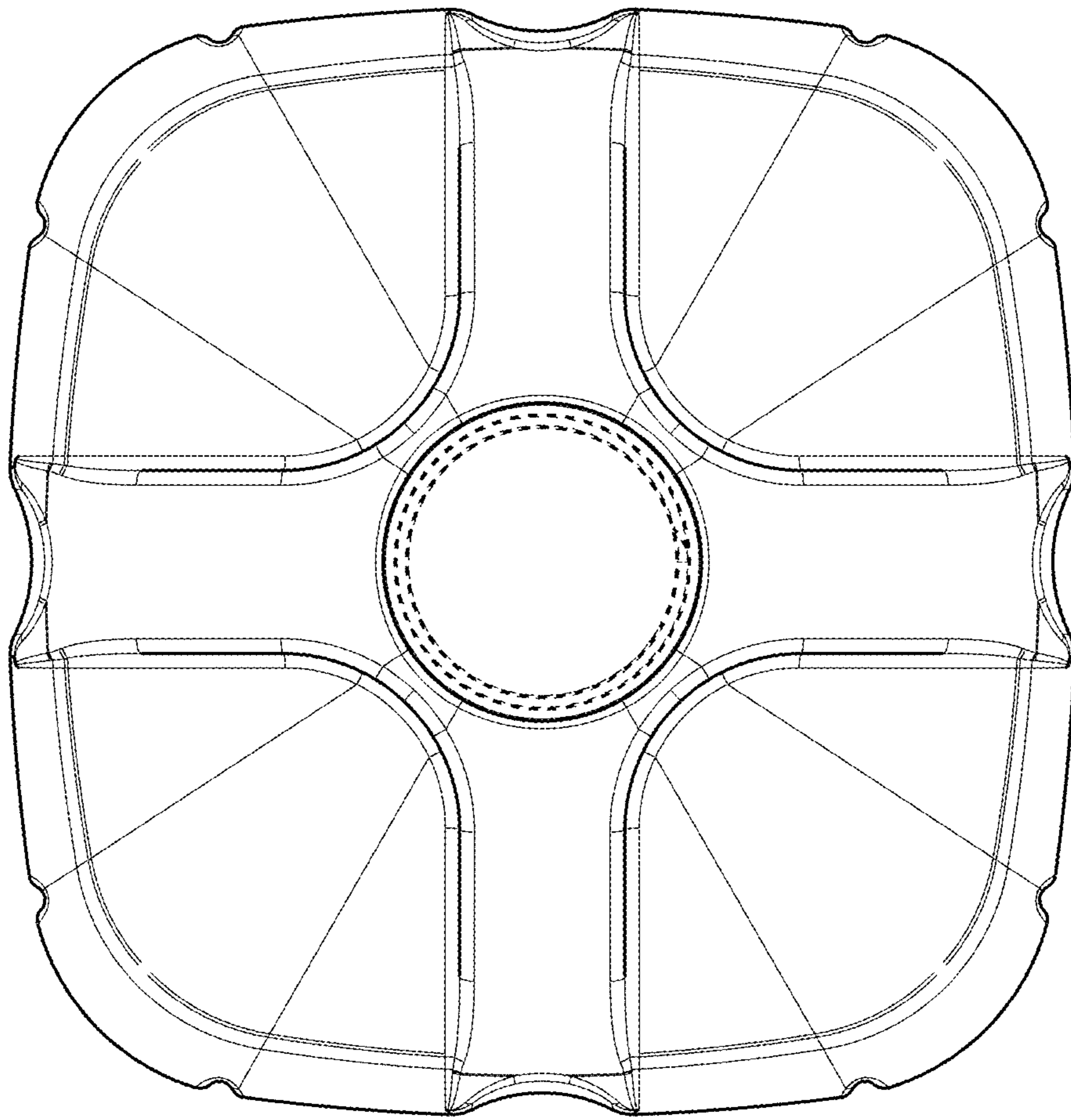


Fig 3

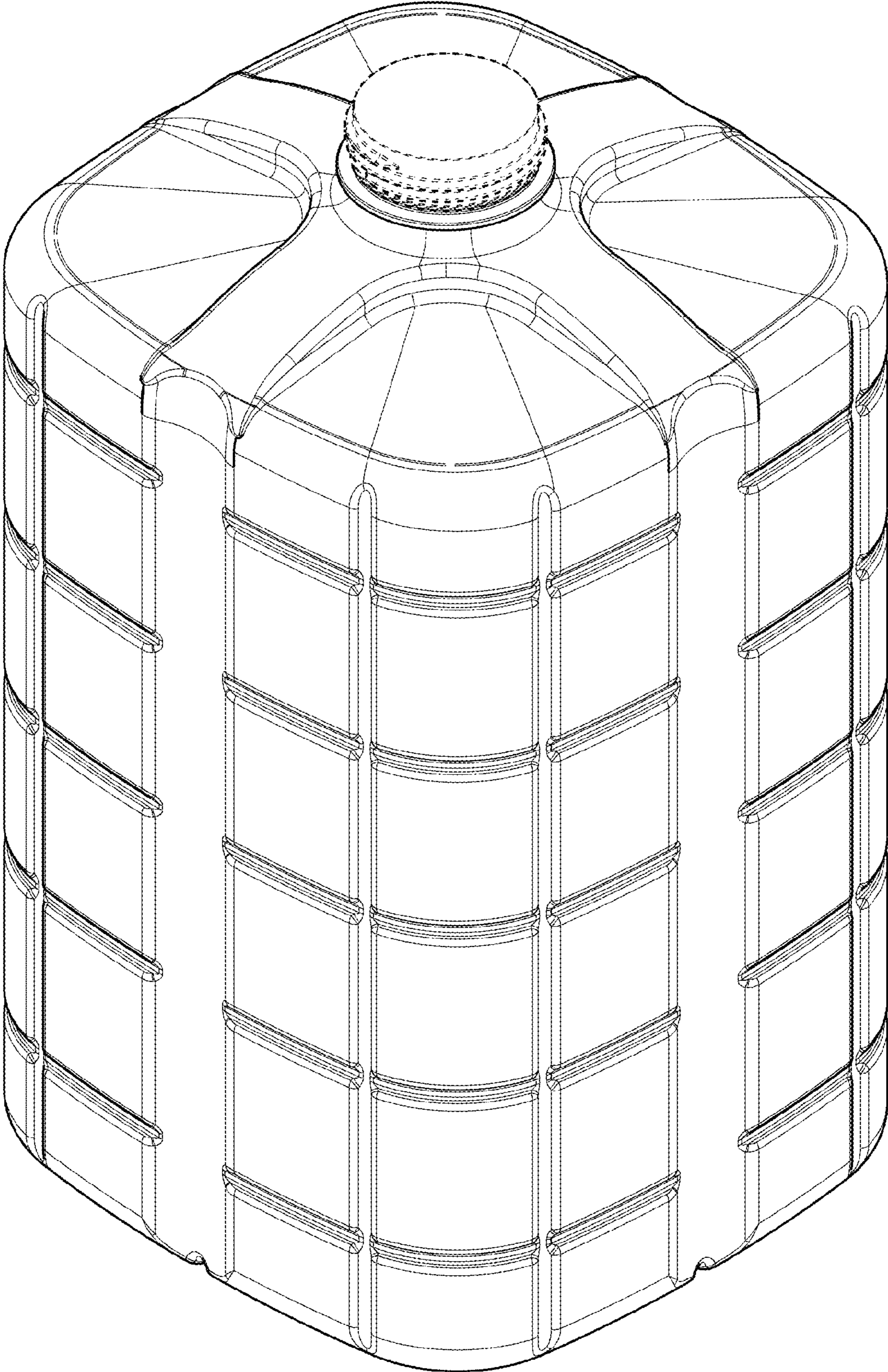


Fig 4