



US00D779950S

(12) **United States Design Patent**  
**Kunst**

(10) **Patent No.:** **US D779,950 S**

(45) **Date of Patent:** **\*\* Feb. 28, 2017**

(54) **BOTTLE**

(71) Applicant: **PepsiCo, Inc.**, Purchase, NY (US)

(72) Inventor: **Roland Kunst**, Bucharest (RO)

(73) Assignee: **PepsiCo, Inc.**, Purchase, NY (US)

(\*\*) Term: **15 Years**

(21) Appl. No.: **29/546,547**

(22) Filed: **Nov. 23, 2015**

(51) **LOC (10) Cl.** ..... **09-01**

(52) **U.S. Cl.**

USPC ..... **D9/538**; D9/552; D9/557

(58) **Field of Classification Search**

USPC ..... D9/682, 686-687, 689, 691-694, 725,  
D9/763, 772-773, 775, 779, 516, 519,  
D9/521-522, 526, 529-530, 537-543,  
D9/549-550, 552, 226, 559-561, 565,  
D9/571, 574-575; 215/379, 381-385;  
220/660, 669, 675

See application file for complete search history.

(56) **References Cited**

**U.S. PATENT DOCUMENTS**

D20,059 S *	7/1890	Irwin	.....	D9/552
D85,918 S *	1/1932	Dougdale	.....	D9/552 X
D101,483 S *	10/1936	Mott	.....	D9/537
D101,810 S *	11/1936	Fuerst	.....	D9/552
D112,941 S *	1/1939	Fuerst	.....	D9/552 X
D124,328 S *	12/1940	Nagle	.....	D9/552 X
D178,917 S *	10/1956	England et al.	.....	D9/539
D190,835 S *	7/1961	Fuerst	.....	D9/552 X
D197,905 S *	4/1964	Friedman et al.	.....	D9/552 X
D212,276 S *	9/1968	Lodding et al.	.....	D9/538
D216,361 S *	12/1969	Pappas, Jr.	.....	D9/538

D264,434 S *	5/1982	Pettengill	.....	D9/552 X
D305,984 S *	2/1990	Alberghini	.....	D9/552 X
D358,547 S *	5/1995	Darr	.....	D9/552 X
D376,035 S *	11/1996	Boucheron	.....	D9/552 X
D406,065 S *	2/1999	Cheng	.....	D9/552 X
D415,681 S *	10/1999	Yourist	.....	D9/552 X
D443,519 S *	6/2001	Warner	.....	D9/538
D462,013 S *	8/2002	Iizuka	.....	D9/538
D474,977 S *	5/2003	Yourist	.....	D9/557 X
D479,131 S *	9/2003	Warner	.....	D9/539 X
D522,873 S *	6/2006	Forget	.....	D9/557 X
D527,265 S *	8/2006	Brandt	.....	D9/516
D594,344 S *	6/2009	Walsh	.....	D9/565 X
D714,155 S *	9/2014	Tanaka	.....	D9/552

\* cited by examiner

*Primary Examiner* — Carol P Rademaker

(74) *Attorney, Agent, or Firm* — Sterne, Kessler,  
Goldstein & Fox P.L.L.C.

(57) **CLAIM**

The ornamental design for a bottle, as shown and described.

**DESCRIPTION**

FIG. 1 is a top front perspective view of a bottle showing the claimed design;

FIG. 2 is a front view thereof;

FIG. 3 is a rear view thereof;

FIG. 4 is a left side view thereof;

FIG. 5 is a right side view thereof;

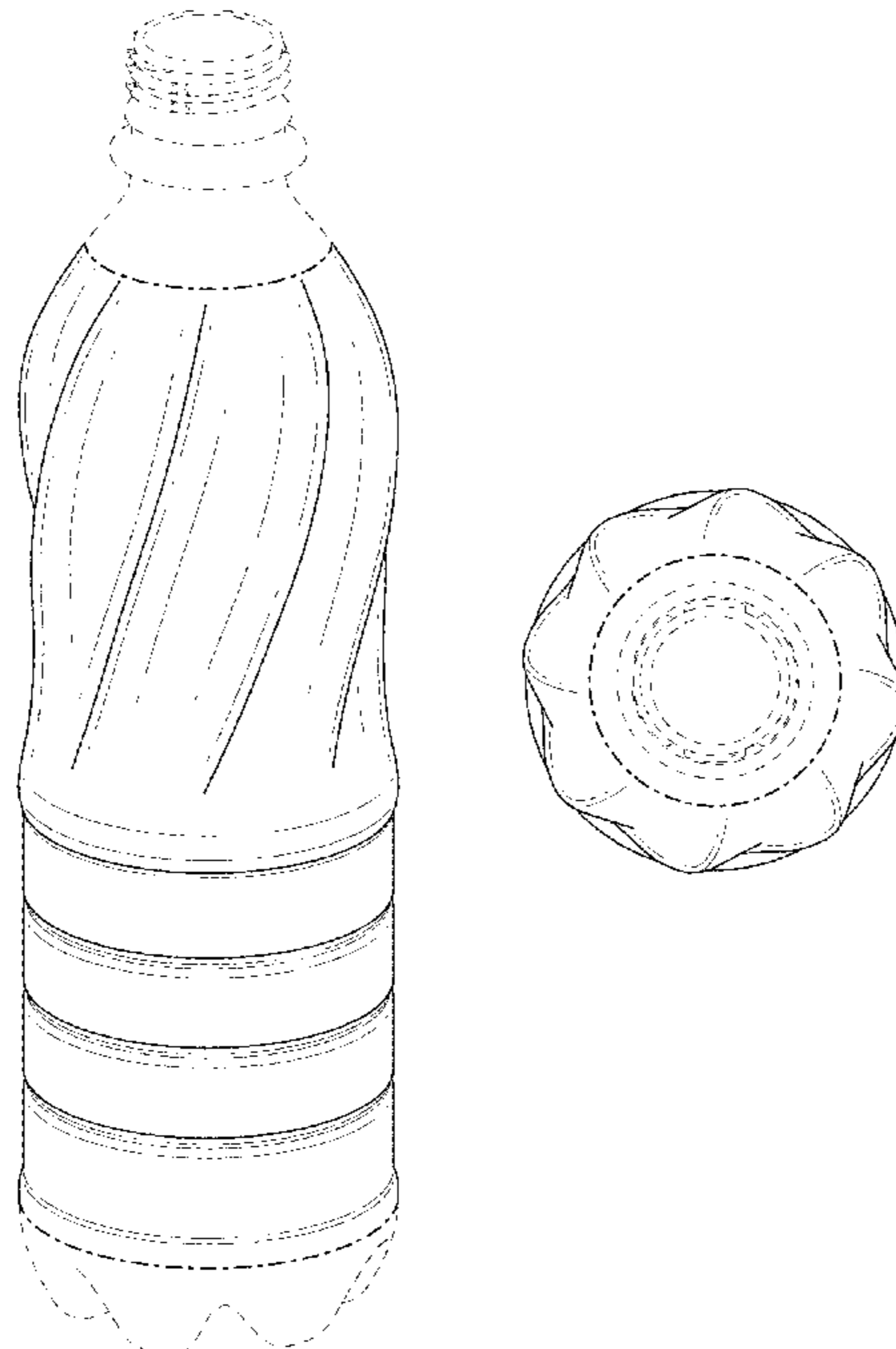
FIG. 6 is a top view thereof; and,

FIG. 7 is a bottom view thereof.

The dashed broken lines in the figures show portions of the bottle that form no part of the claimed design.

The dot-dash broken lines in the figures show boundaries that form no part of the claimed design.

**1 Claim, 4 Drawing Sheets**



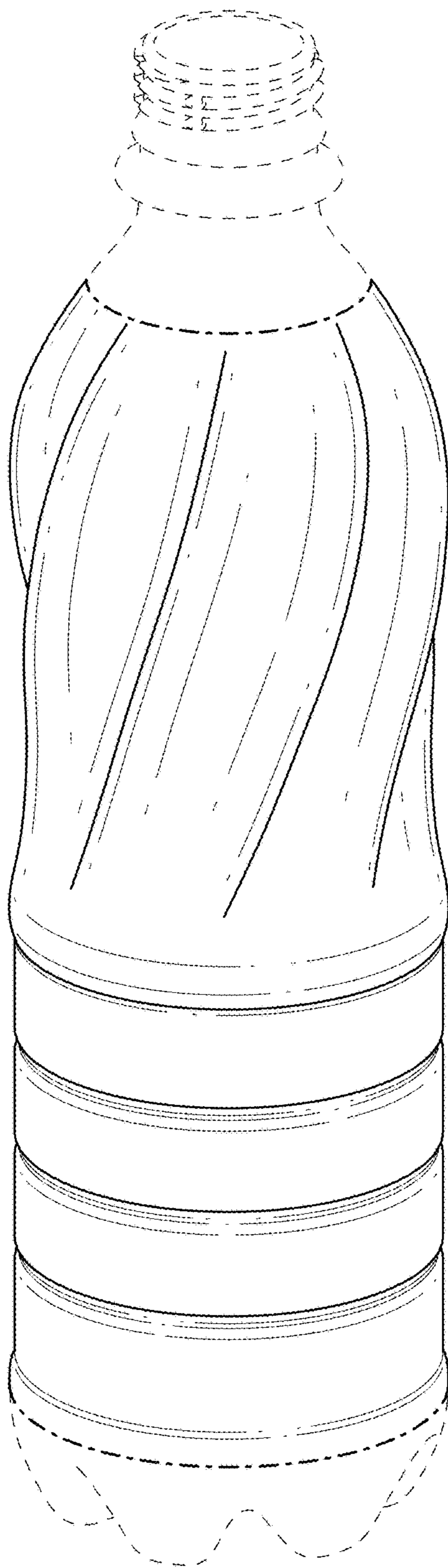


FIG. 1

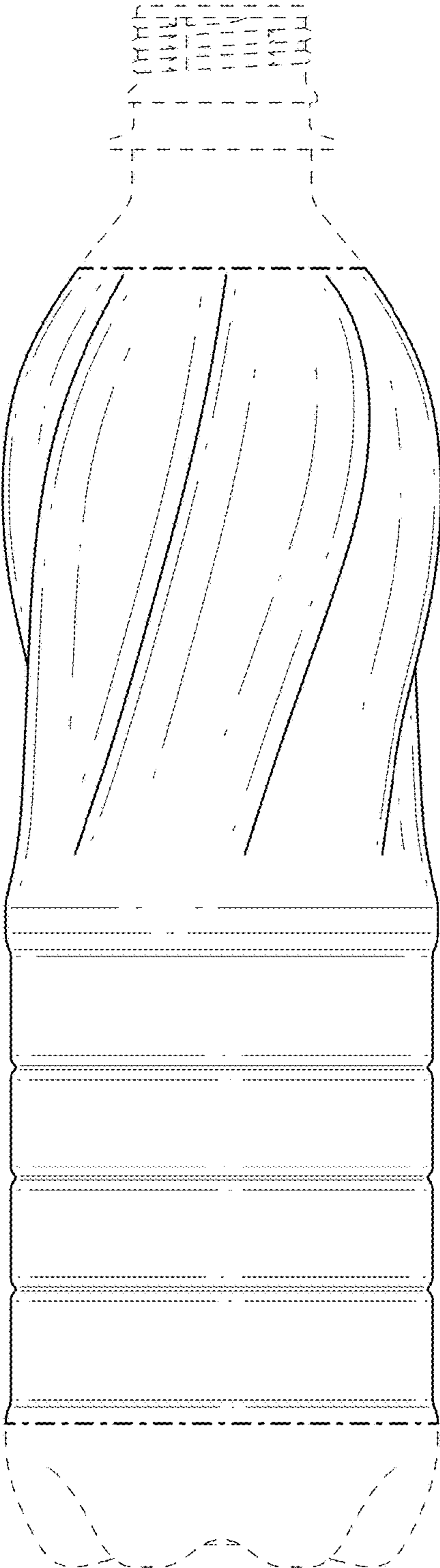


FIG. 2

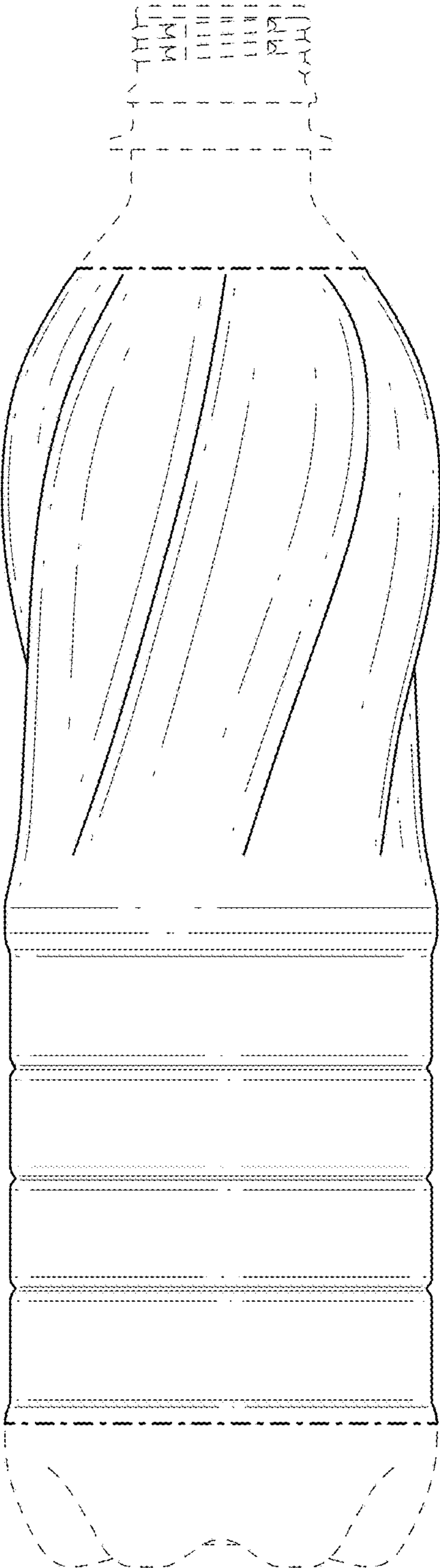


FIG. 3

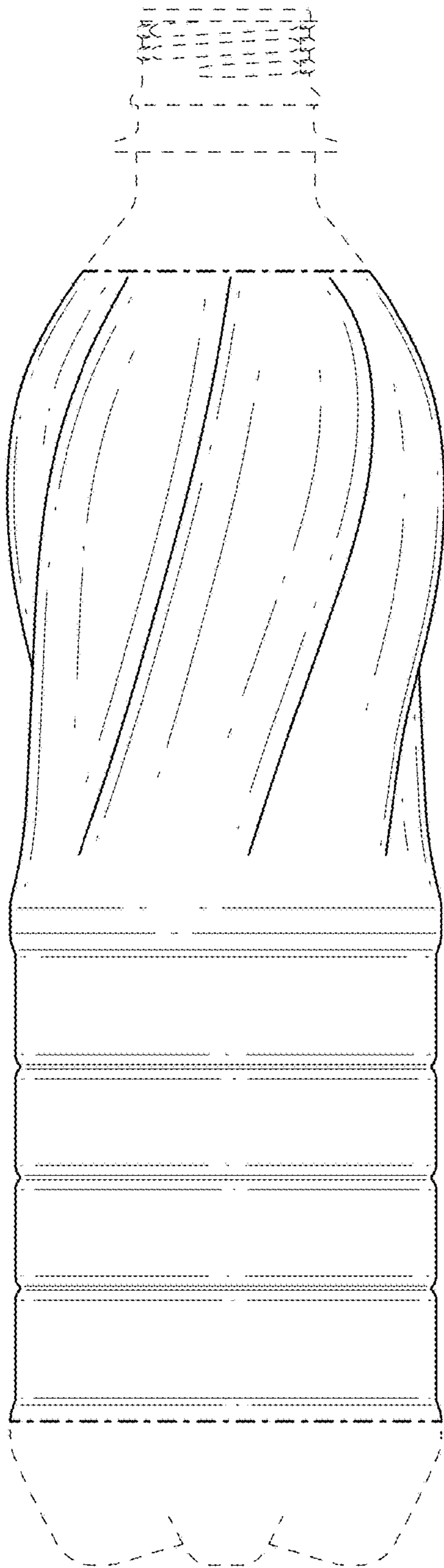


FIG. 4

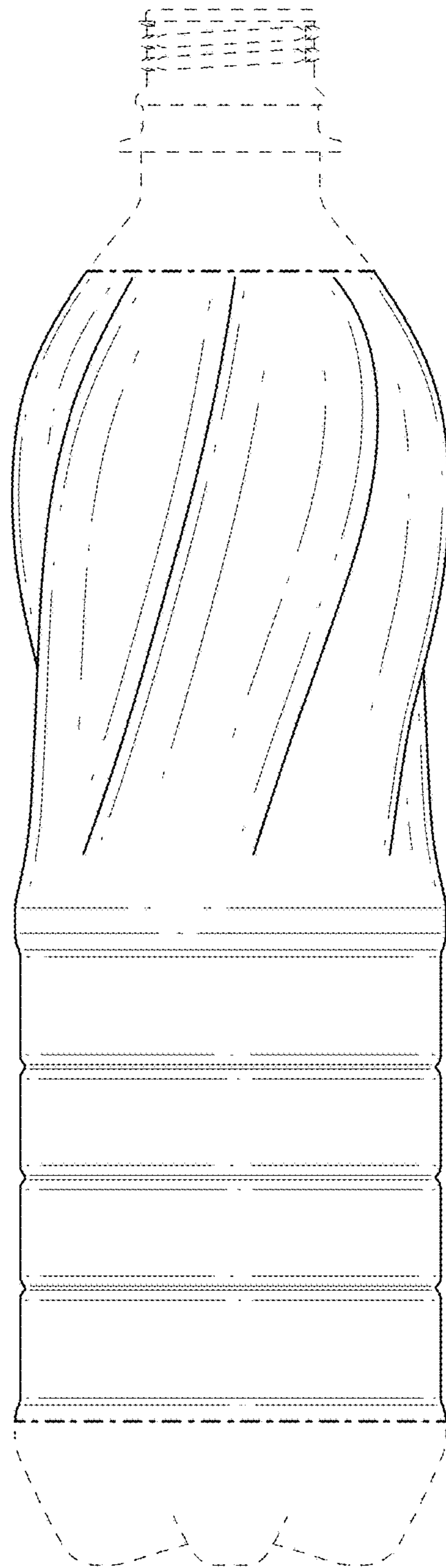


FIG. 5

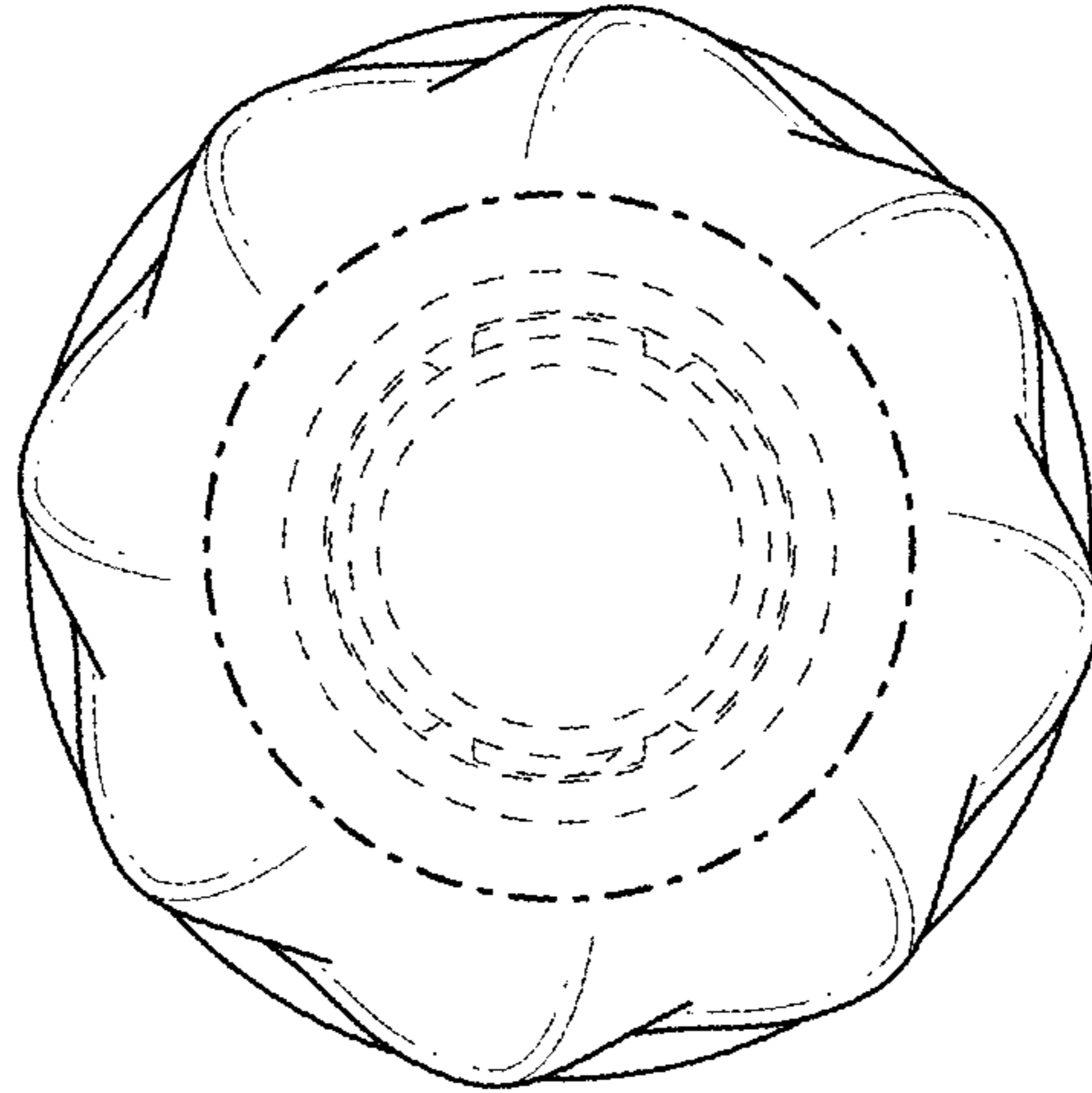


FIG. 6

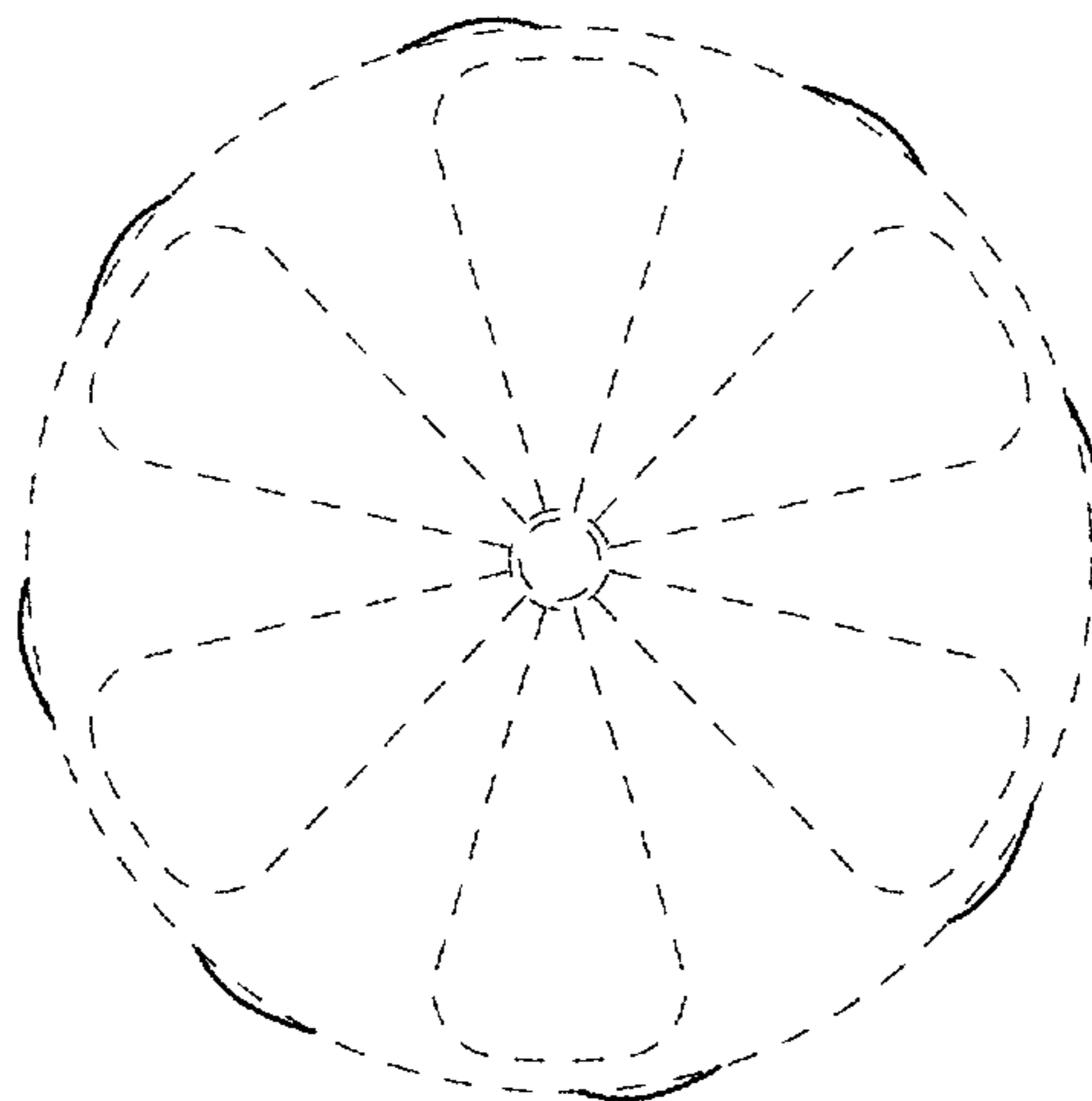


FIG. 7