



US00D779942S

(12) **United States Design Patent** (10) **Patent No.:** **US D779,942 S**
Saussaye et al. (45) **Date of Patent:** **** Feb. 28, 2017**

(54) **CAP**

(71) Applicant: **APTAR FRANCE SAS**, Le Neubourg (FR)

(72) Inventors: **Anthony Saussaye**, Menilles (FR);
Olivier His, Saint Etienne du Vauvray (FR); **Cyril Meziere**, Villeurbanne (FR)

(73) Assignee: **APTAR FRANCE SAS**, Le Neubourg (FR)

(**) Term: **14 Years**

(21) Appl. No.: **29/498,235**

(22) Filed: **Aug. 1, 2014**

(30) **Foreign Application Priority Data**

Mar. 7, 2014 (EM) 002420299-0002

(51) **LOC (10) Cl.** **09-07**

(52) **U.S. Cl.**
USPC **D9/454**

(58) **Field of Classification Search**
USPC D7/300, 300.1, 300.2, 303, 313, 317, D7/602, 387, 509, 510, 511, 538; D9/434, 435, D9/436, 439, 440, 441, 442, 443, 444, 445, D9/446, 447, 448, 449, 450, 451, 452, 453, D9/454, 499; D24/112, 114, 130
CPC B65D 41/26; B65D 41/32; B65D 59/06; B65D 47/0814; B65D 47/2031; B65D 51/249; B65D 2251/1066; B65D 41/02; B65D 23/00; B65D 39/08; B67D 3/0032; A47G 19/26; A47G 19/2266; B65F 1/14

See application file for complete search history.

(56) **References Cited**

U.S. PATENT DOCUMENTS

D103,266 S *	2/1937	Berch	D9/445
D220,613 S *	5/1971	Beck	D9/453
D292,967 S *	12/1987	Gagnon	D9/439
D299,699 S *	2/1989	Ask	D9/453
5,885,204 A *	3/1999	Vergano	A61F 2/0009 128/DIG. 25
D445,682 S *	7/2001	Michael	D9/436
D612,725 S *	3/2010	Chan	D9/439
D666,923 S *	9/2012	Buffington	D9/723
D709,372 S *	7/2014	Williams	D9/447
D717,168 S *	11/2014	Ferman	D9/435
RE45,374 E *	2/2015	Greenfield	D9/443
D729,063 S *	5/2015	Koop	D9/439
2009/0318758 A1 *	12/2009	Farr	A61B 1/018 600/112

* cited by examiner

Primary Examiner — Robert M Spear

Assistant Examiner — Marissa J Cash

(74) *Attorney, Agent, or Firm* — Sughrue Mion, PLLC

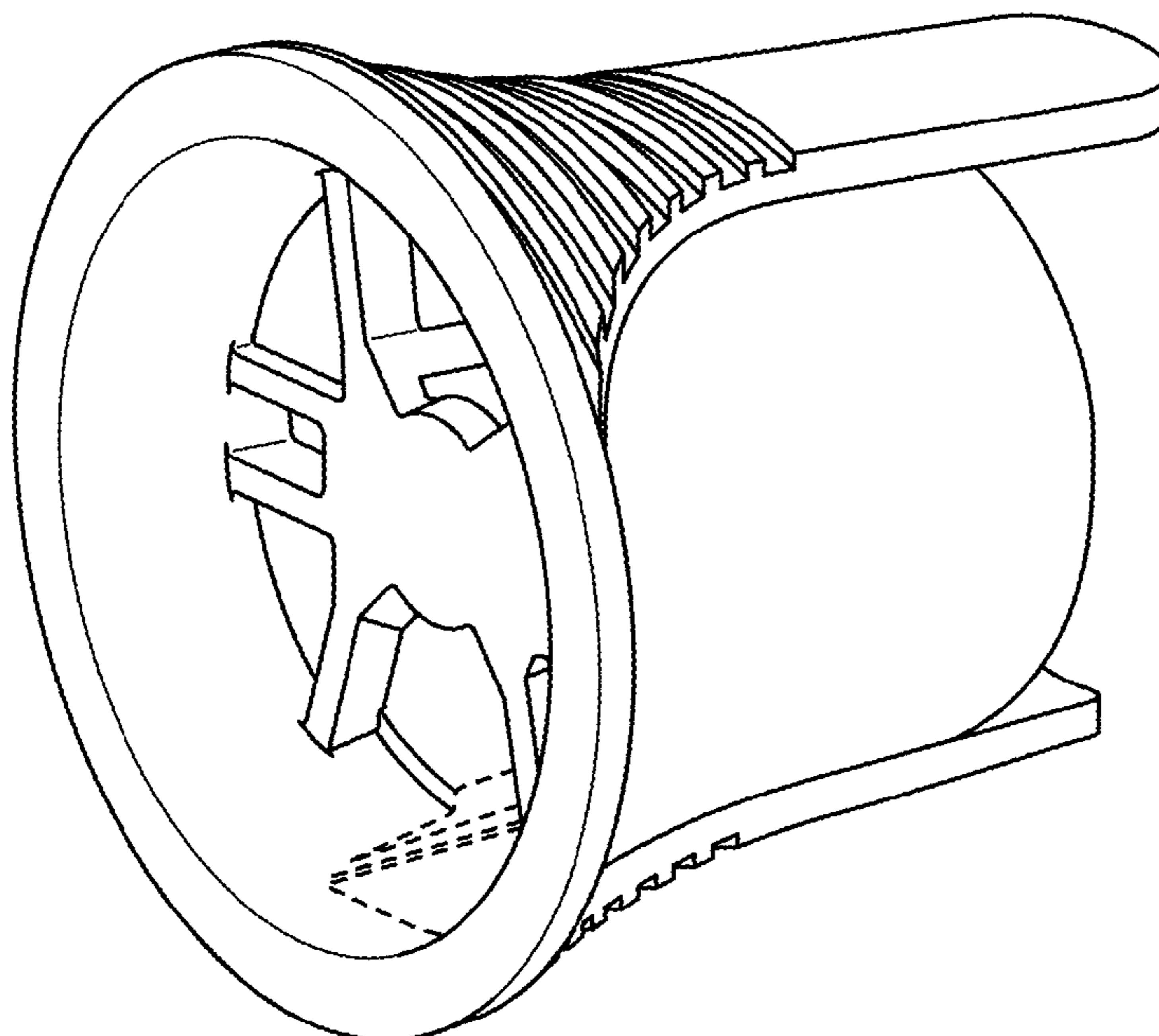
(57) **CLAIM**

The ornamental design for a cap, as shown and described.

DESCRIPTION

FIG. 1 is a front perspective view thereof;
FIG. 2 is a bottom perspective view thereof;
FIG. 3 is a front view thereof;
FIG. 4 is a right side view thereof, the left side having the same appearance;
FIG. 5 is a top view thereof; and,
FIG. 6 is a bottom view thereof.
The features shown in broken lines form no part of the claimed design.

1 Claim, 3 Drawing Sheets



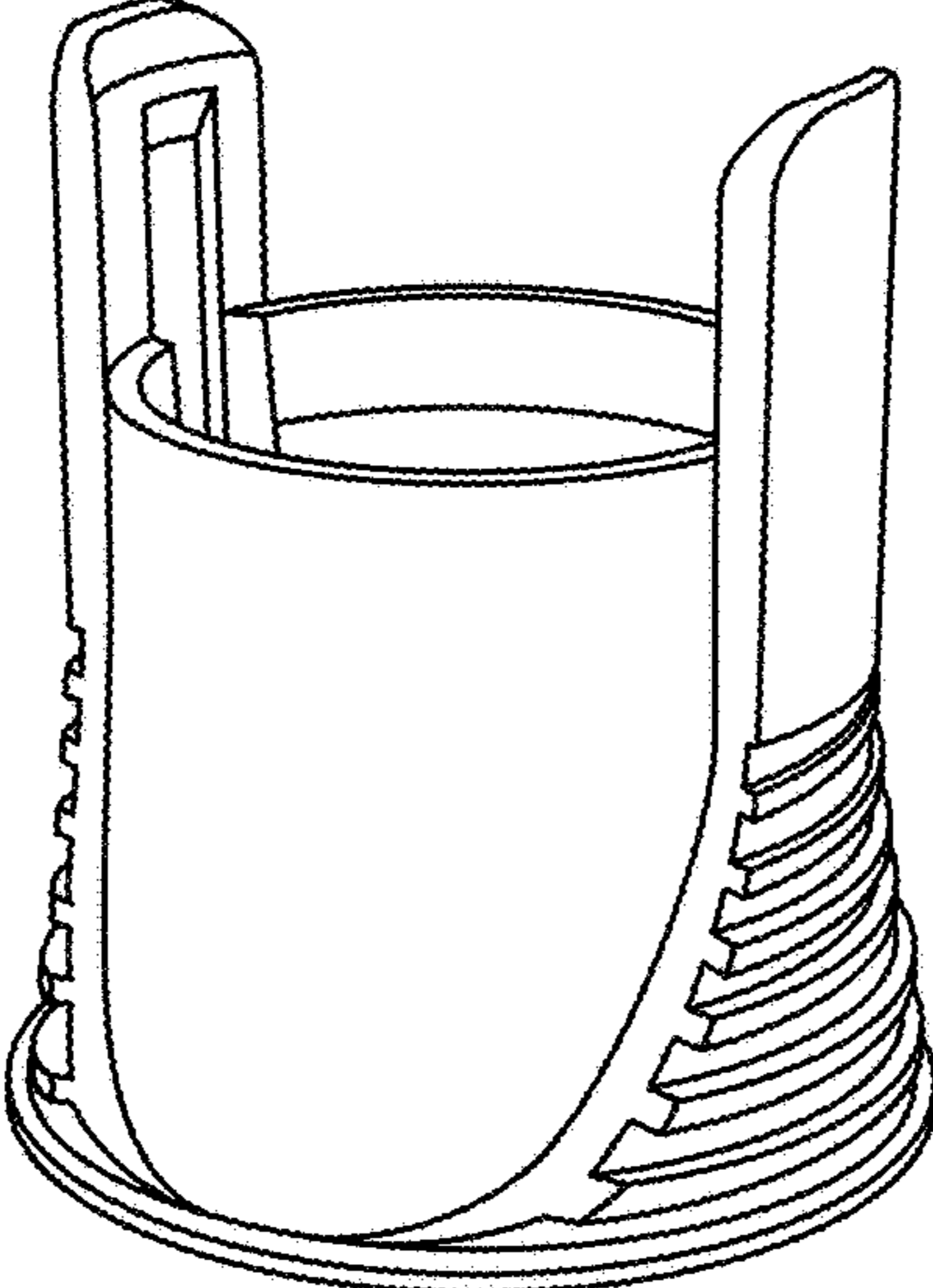


FIG. 1

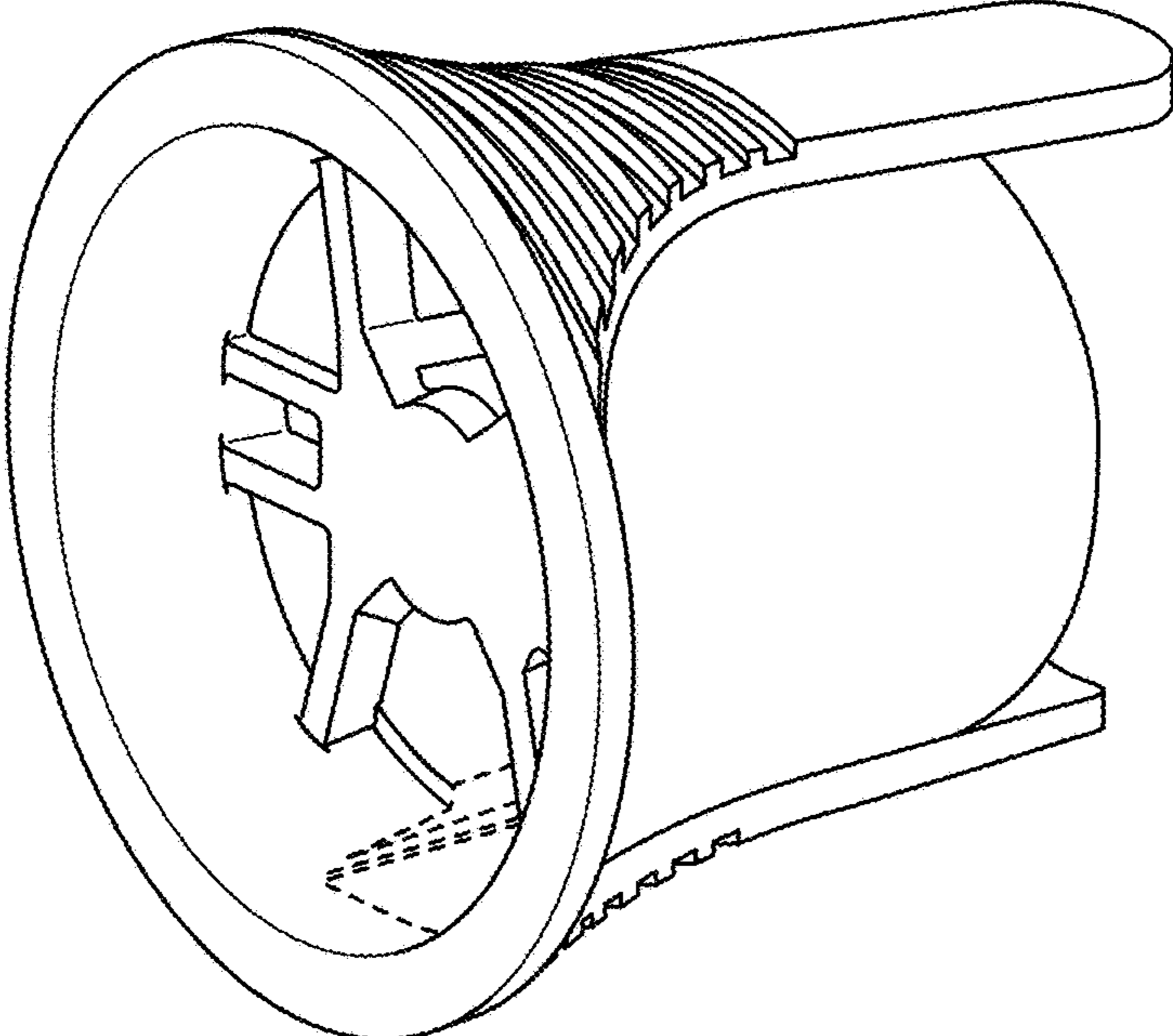


FIG. 2

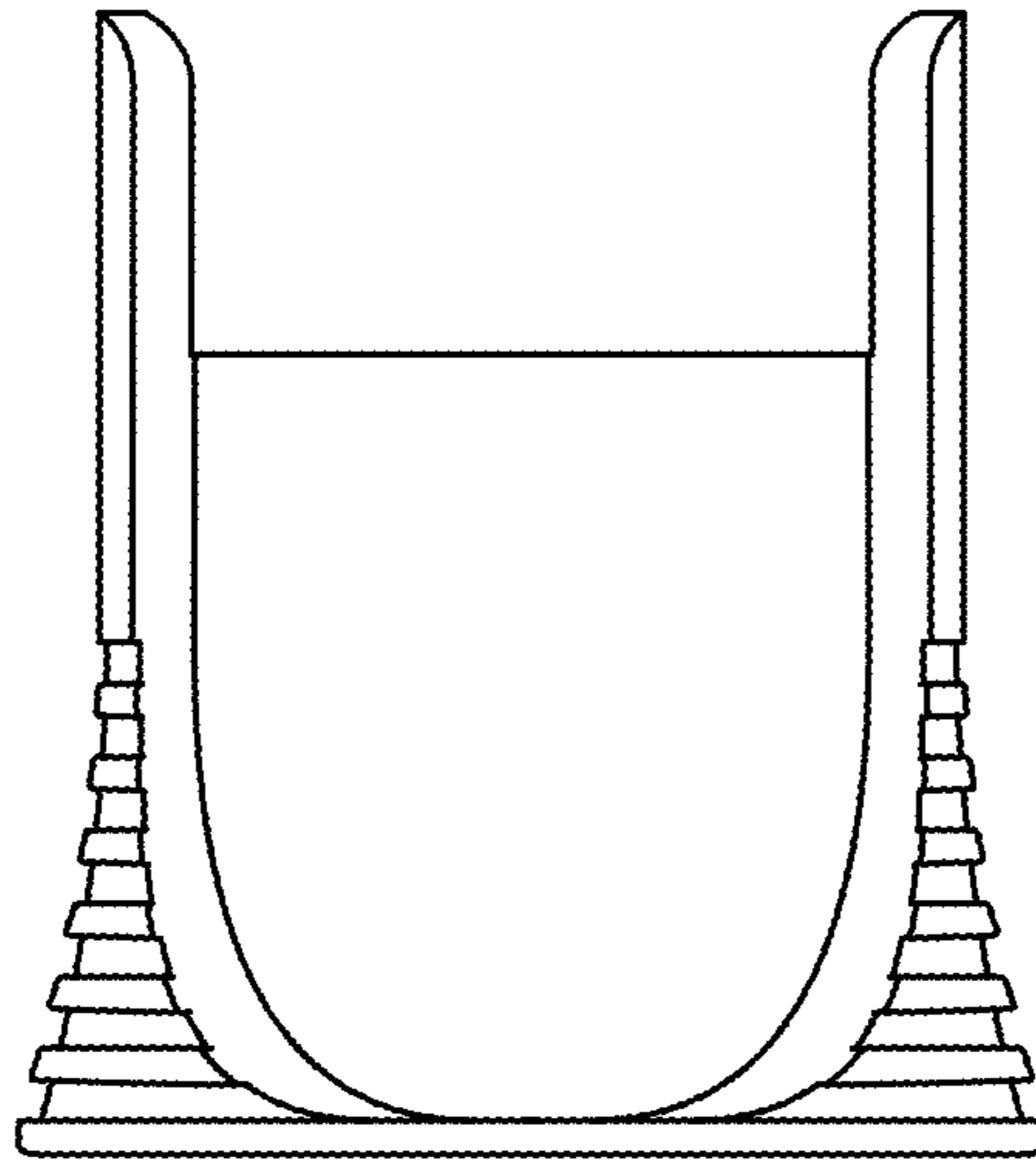


FIG. 3

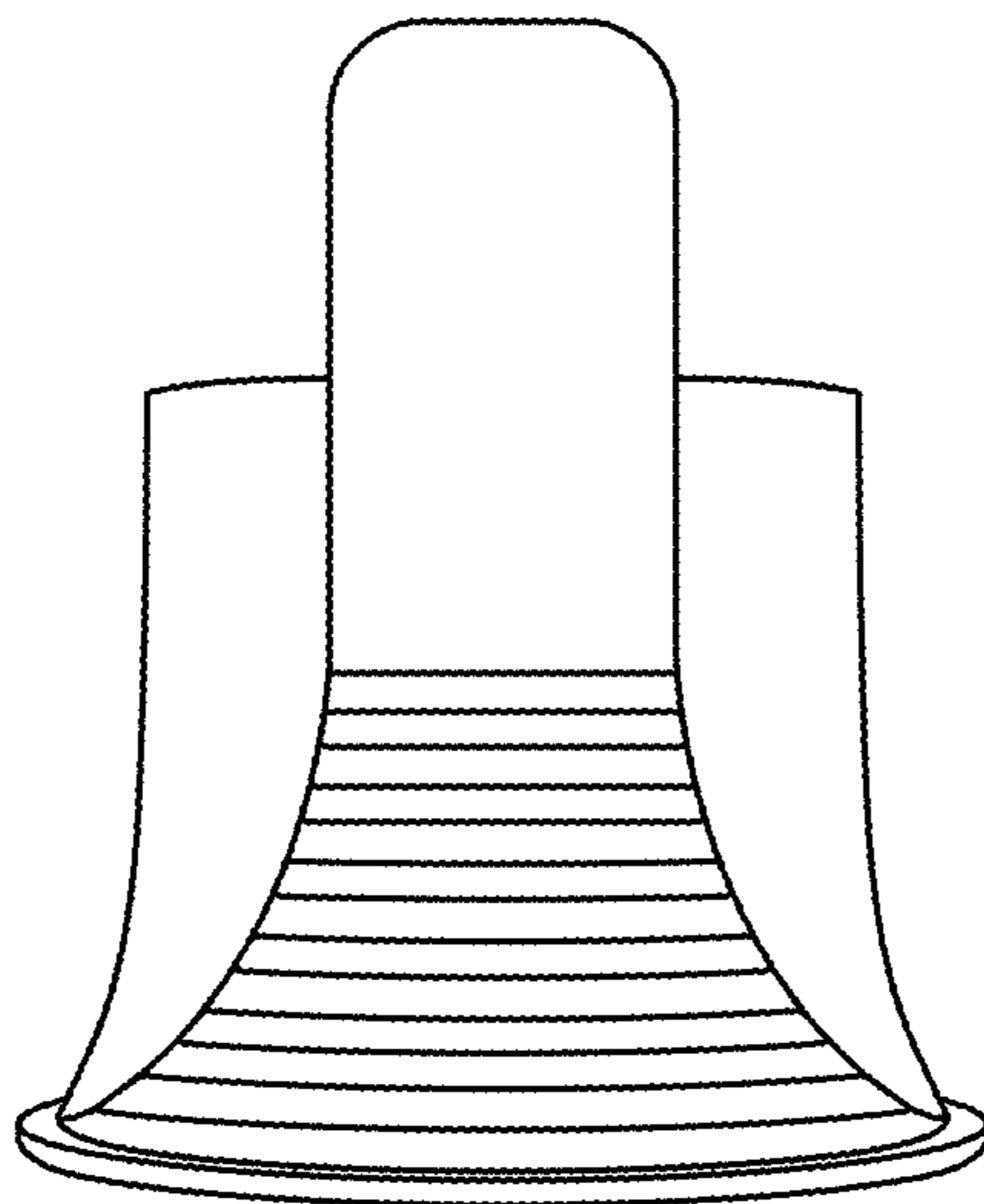


FIG. 4

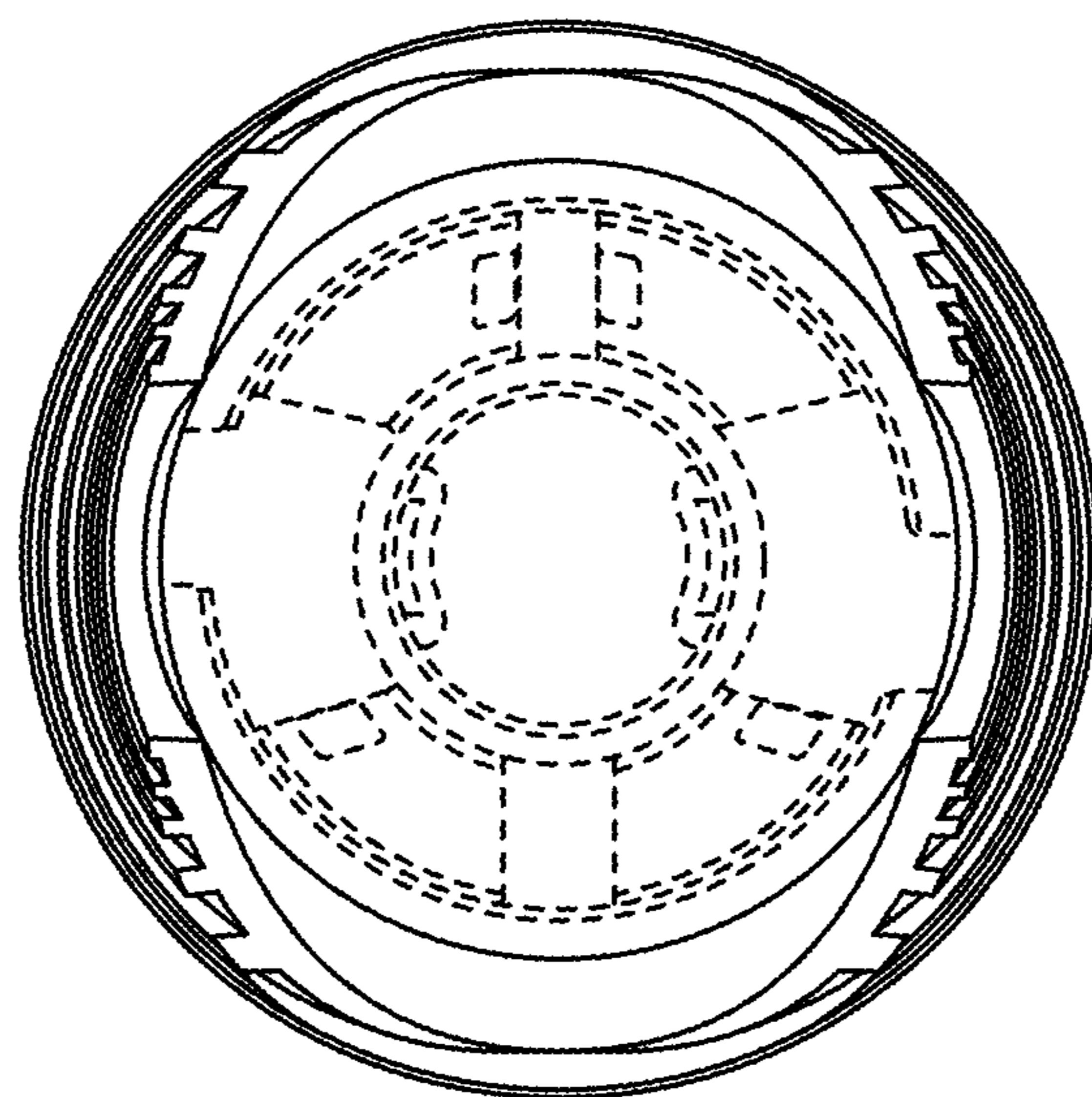


FIG. 5

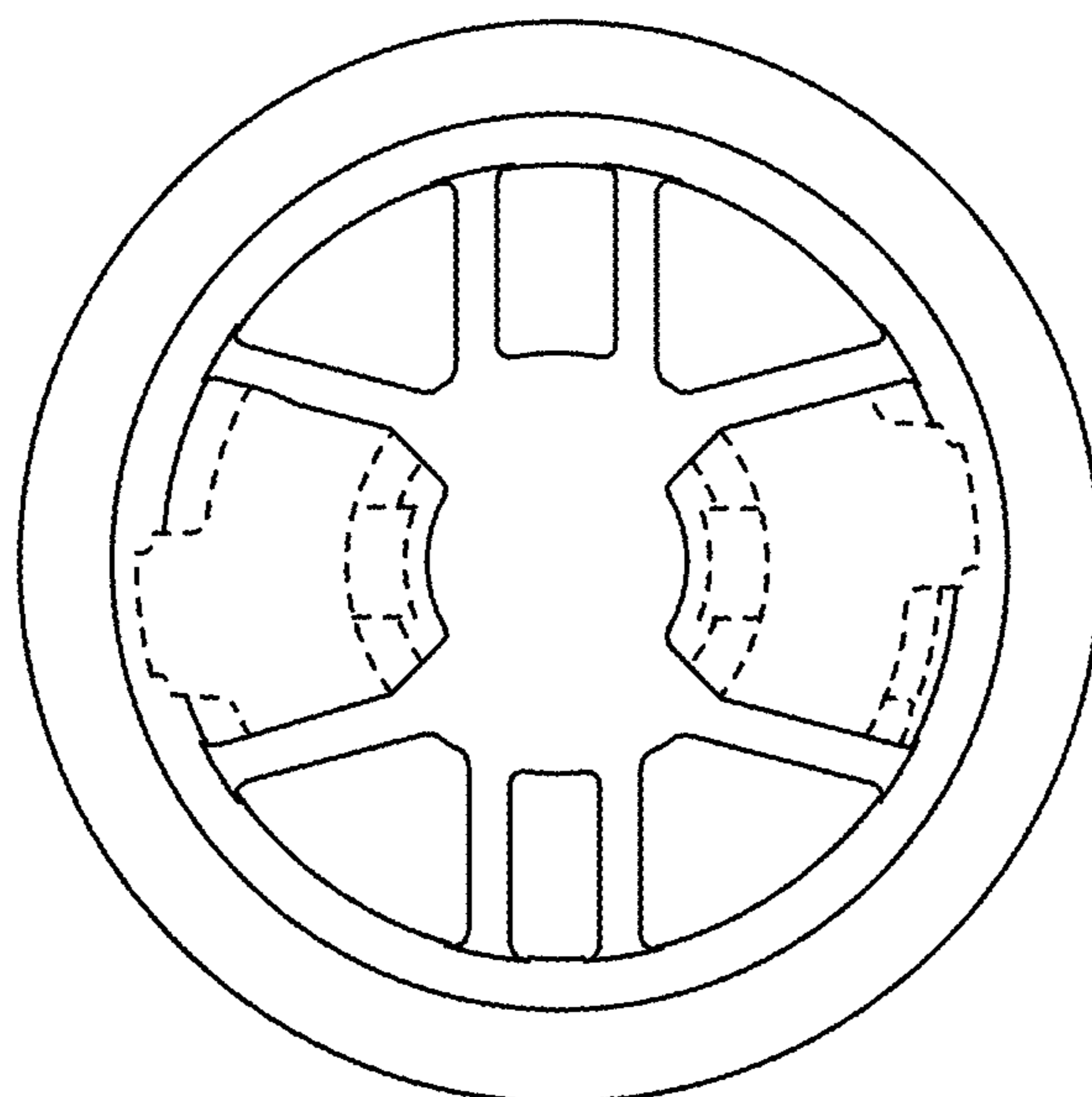


FIG. 6