



US00D779941S

(12) **United States Design Patent**
Koga et al.

(10) **Patent No.:** **US D779,941 S**
(45) **Date of Patent:** **** Feb. 28, 2017**

(54) **MOUTH PLUG FOR CONTAINER**

FOREIGN PATENT DOCUMENTS

(71) Applicant: **Kao Corporation**, Chuo-ku (JP)

JP D1068865 5/2000
JP D1338348 8/2000

(72) Inventors: **Hiroyuki Koga**, Chuo-ku (JP); **Shinji Watanabe**, Sumida-ku (JP)

OTHER PUBLICATIONS

(73) Assignee: **KAO CORPORATION**, Chuo-ku (JP)

Etsy. Dog collars made of leather. May 28, 2016 [earliest online date], [site visited Sep. 29, 2016]. Available from Internet, <URL:https://www.etsy.com/listing/384478072/dog-collars-made-of-leather-leather?ref=market>.*

(**) Term: **15 Years**

Cell Phone Blog. Spike Bracelets. Jul. 29, 2012 [earliest online date], [site visited Sep. 29, 2016]. Available from Internet, <URL:http://itgcellseawallpaper.blogspot.com/2012/07/spike-bracelets.html>.*

(21) Appl. No.: **29/546,060**

(22) Filed: **Nov. 18, 2015**

(30) **Foreign Application Priority Data**

* cited by examiner

May 28, 2015 (JP) 2015-011876

(51) **LOC (10) Cl.** **09-07**

Primary Examiner — Robert M Spear

(52) **U.S. Cl.**

Assistant Examiner — Darcey E Heflin

USPC **D9/453**; D9/452

(74) *Attorney, Agent, or Firm* — Oblon, McClelland, Maier & Neustadt, L.L.P.

(58) **Field of Classification Search**

USPC D9/434, 435, 436, 437, 443, 444, 445, D9/449, 452, 453, 454, 455, 456, 499; D11/3, 4; D30/152; 53/420

(57) **CLAIM**

CPC B65D 39/00; B65D 41/00; B65D 50/048
See application file for complete search history.

The ornamental design for a mouth plug for container, as shown and described.

DESCRIPTION

(56) **References Cited**

U.S. PATENT DOCUMENTS

- D30,338 S * 3/1899 Mann D9/434
- D113,332 S * 2/1939 Piluso D9/453
- D142,844 S * 11/1945 Derham D9/453
- D428,218 S * 7/2000 Dehart D30/152
- 6,578,982 B1 * 6/2003 Lynch A44C 15/0015
362/103
- D507,218 S * 7/2005 Spencer D12/193
- D513,587 S * 1/2006 Forte D9/435
- D574,238 S * 8/2008 Walker D9/435
- D642,953 S * 8/2011 Conway, Jr. D11/11
- D652,336 S * 1/2012 Molik D11/3
- D666,495 S * 9/2012 Biesecker D9/445

FIG. 1 is a front perspective view of a mouth plug for container according to our design;
FIG. 2 is a front elevational view thereof;
FIG. 3 is a rear elevational view thereof;
FIG. 4 is a left side elevational view thereof;
FIG. 5 is a right side elevational view thereof;
FIG. 6 is a top plan view thereof; and,
FIG. 7 is a bottom plan view thereof.

The dashed lines in the drawings depict environmental subject matter only and form no part of the claimed design. The long dash-short dash-long dash lines form boundary portions and form no part of the claimed design.

1 Claim, 5 Drawing Sheets

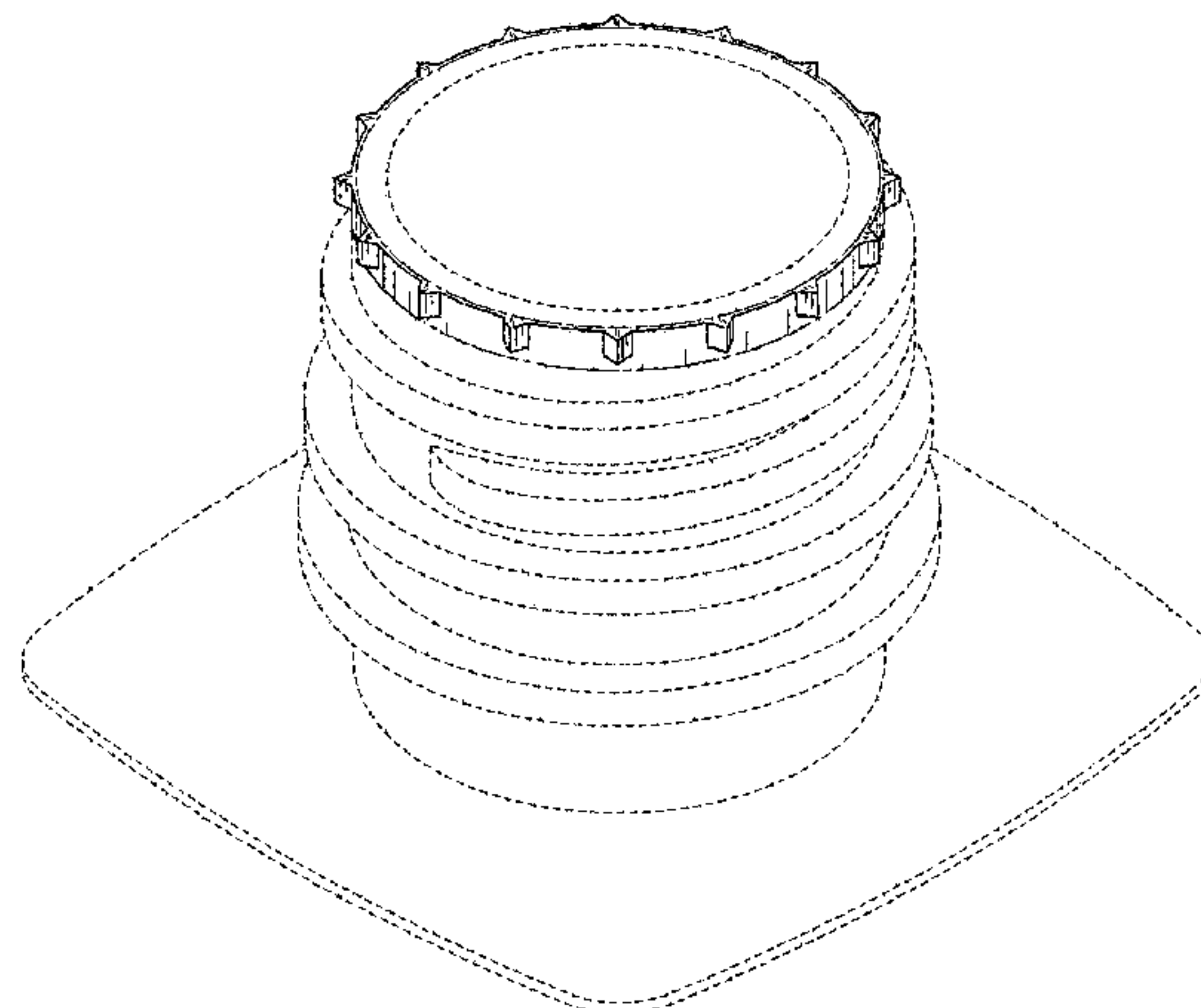


Fig.1

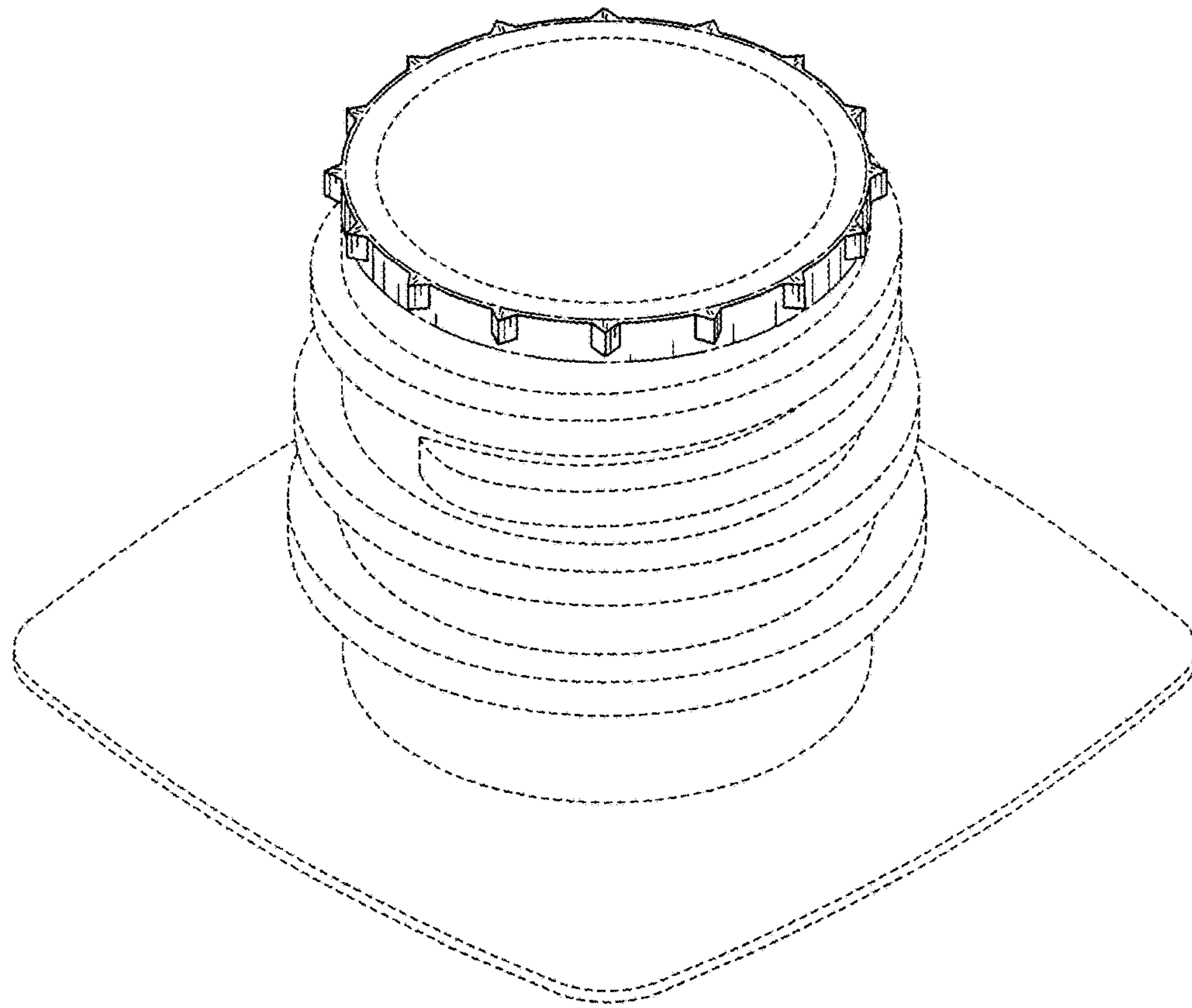


Fig.2

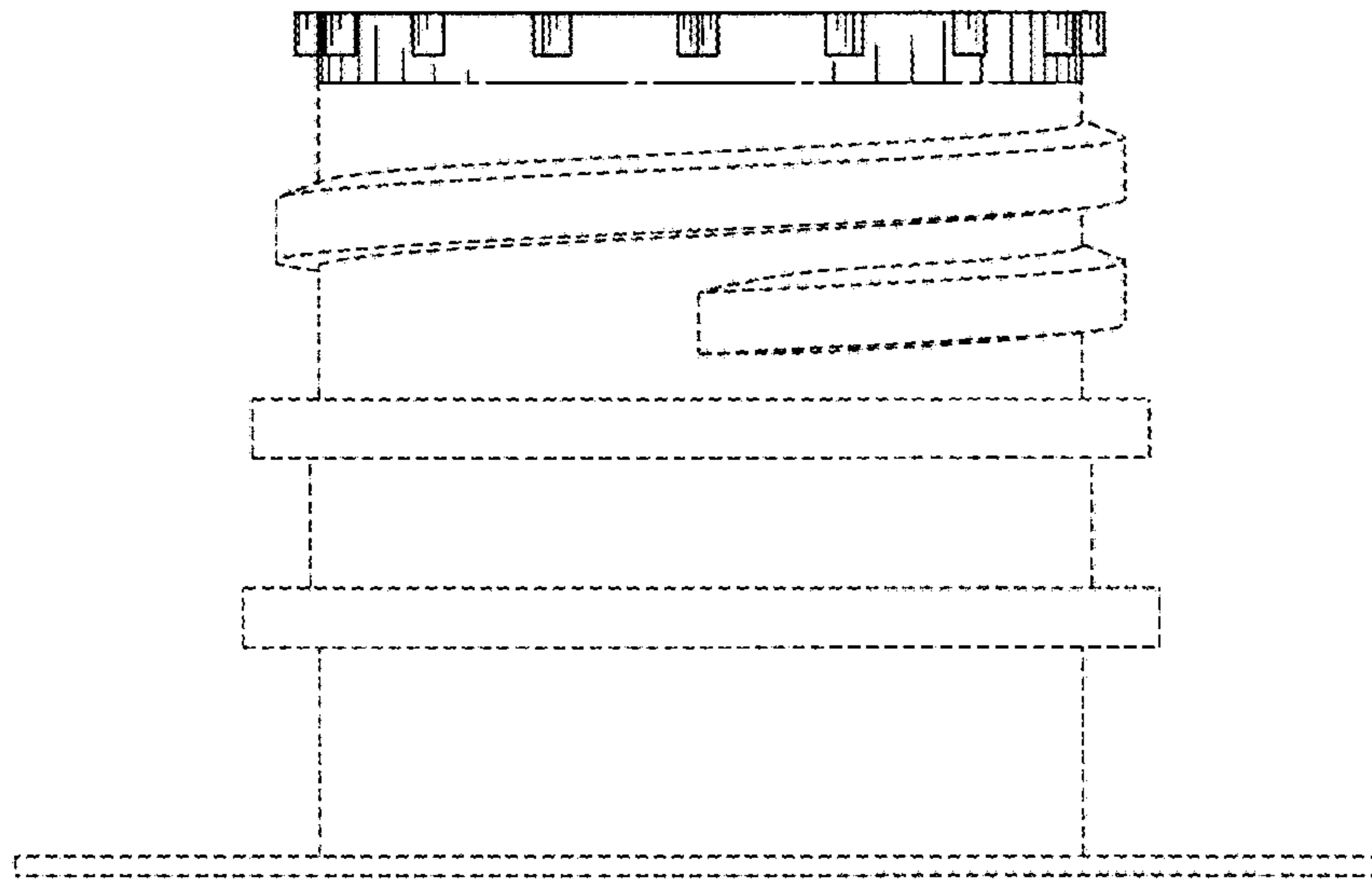


Fig.3

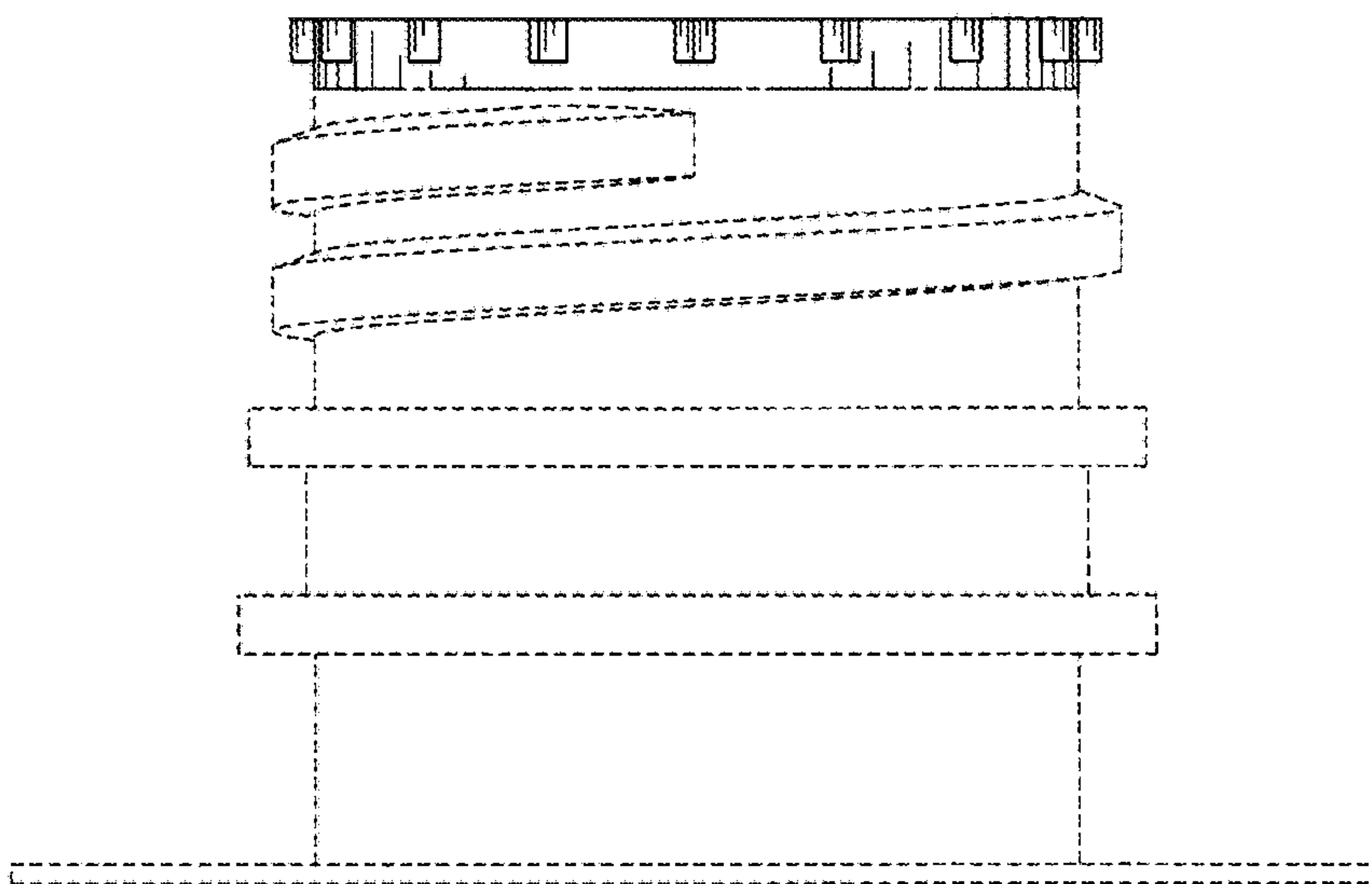


Fig.4

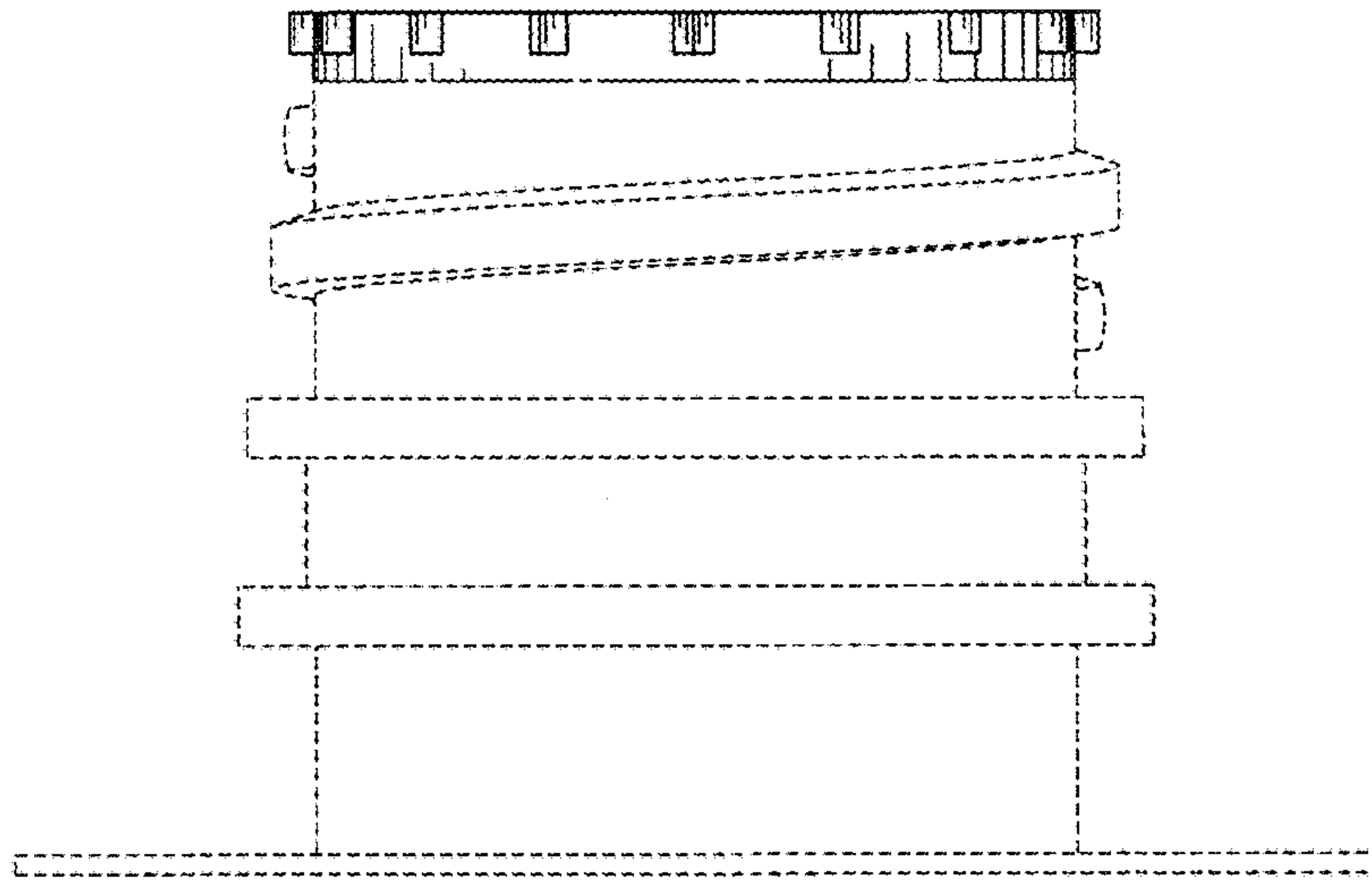


Fig.5

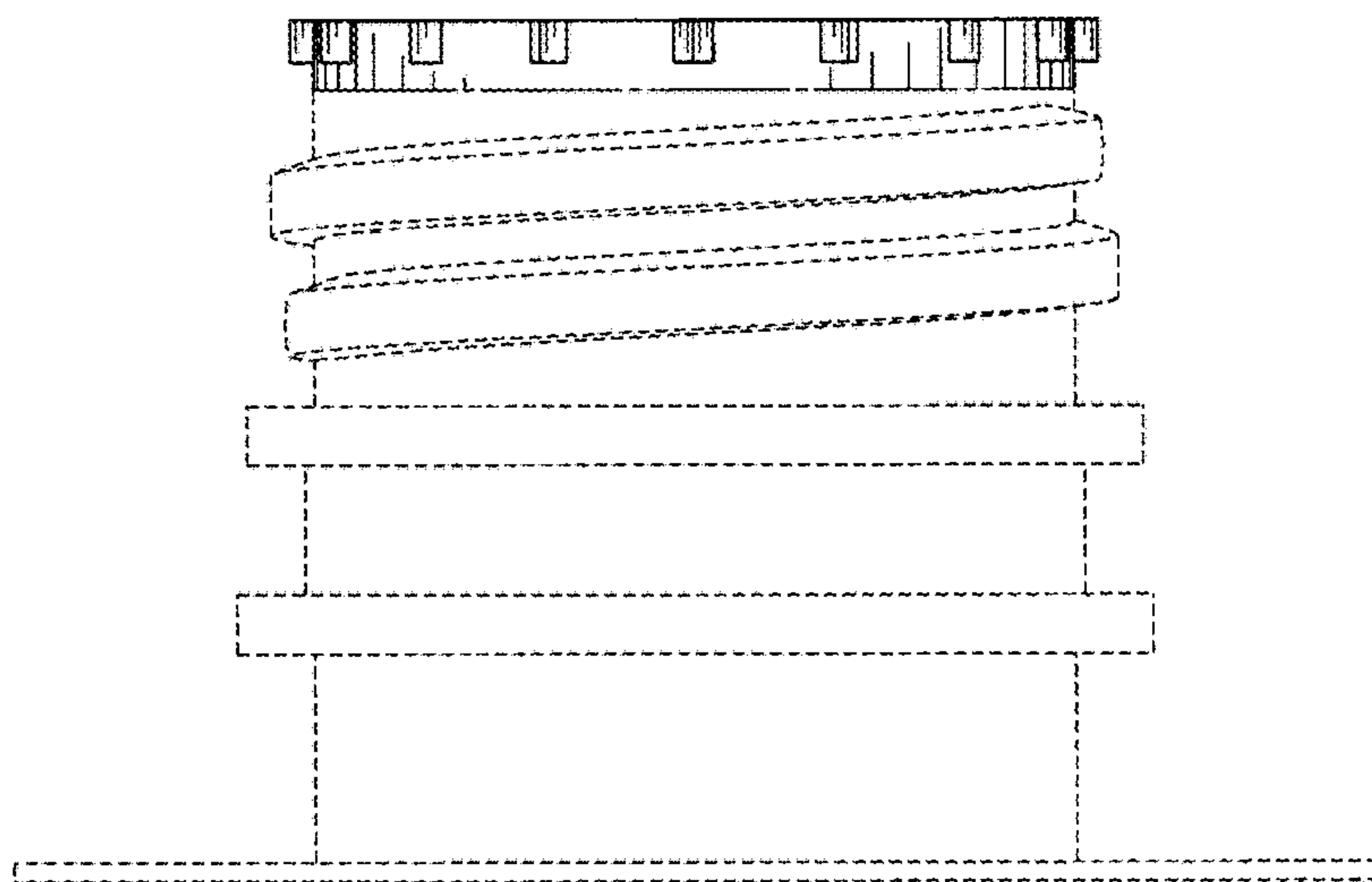


Fig.6

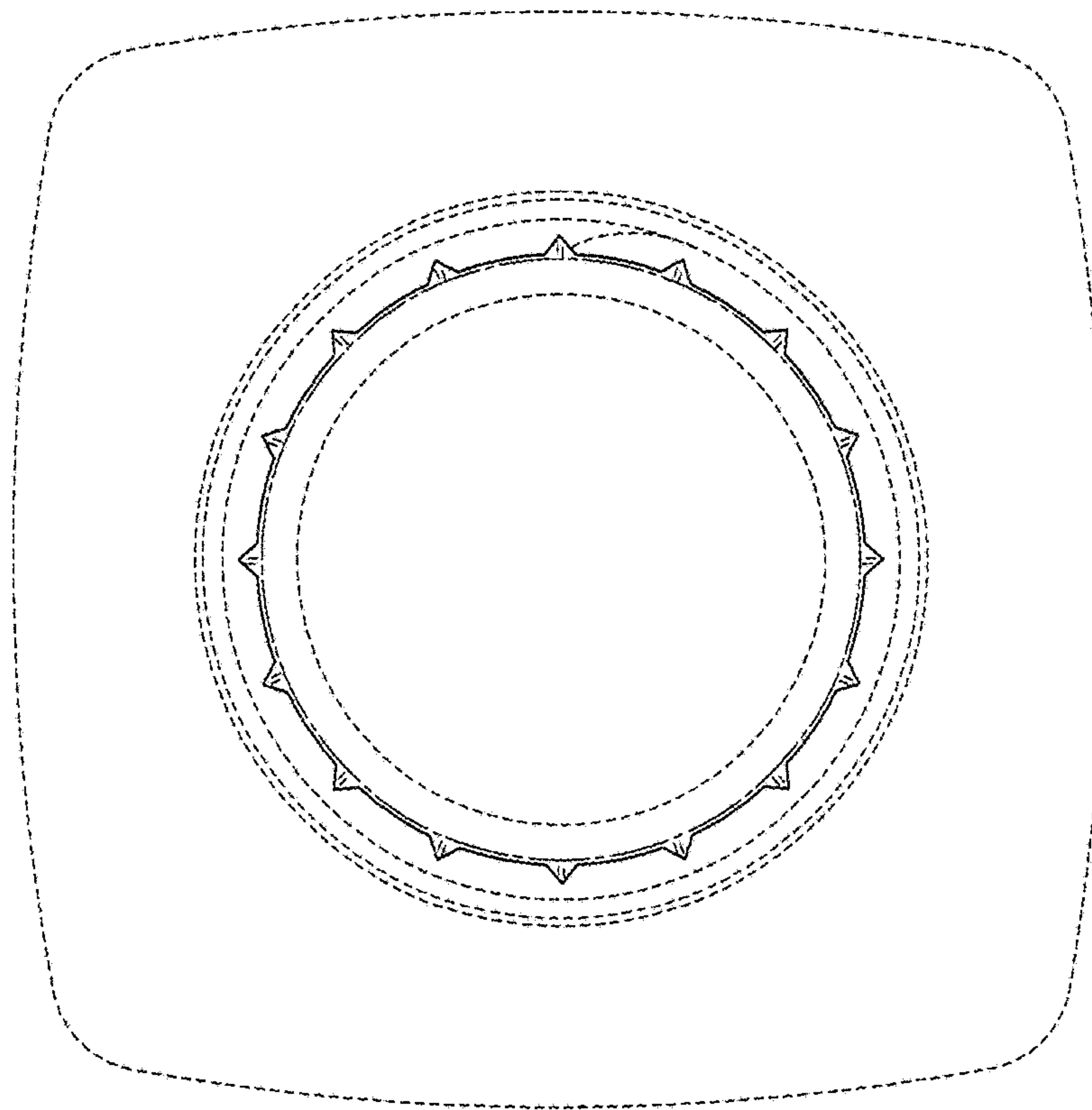


Fig.7

