



US00D779939S

(12) **United States Design Patent** (10) **Patent No.:** **US D779,939 S**
Boroski et al. (45) **Date of Patent:** **** Feb. 28, 2017**

(54) **LID**
(71) Applicant: **THERMOS L.L.C.**, Schaumburg, IL (US)
(72) Inventors: **Dwayne Boroski**, Lake in the Hills, IL (US); **Marvin Lane**, Wheeling, IL (US)
(73) Assignee: **Thermos L.L.C.**, Schaumburg, IL (US)
(**) Term: **14 Years**
(21) Appl. No.: **29/523,343**
(22) Filed: **Apr. 8, 2015**
(51) **LOC (10) Cl.** **09-07**
(52) **U.S. Cl.**
USPC **D9/447; D7/396.2**
(58) **Field of Classification Search**
USPC D7/392.1; D9/434-436, 440, 443-445, D9/447, 452-454, 499; 116/308; 215/216, 308
CPC B65D 39/08; B65D 51/242
See application file for complete search history.

D468,205 S * 1/2003 Pierce D9/440
D498,382 S 11/2004 Davis
D508,202 S * 8/2005 Dobson D9/447
D548,075 S * 8/2007 Mavin D9/435
D572,531 S 7/2008 Romandy et al.
D573,017 S * 7/2008 Henderson D9/436
D575,570 S * 8/2008 Antonelli D7/300.2
D576,878 S * 9/2008 Brashear D9/453
D592,505 S * 5/2009 Mobley D7/300.2
D597,376 S 8/2009 Reay
D609,521 S 2/2010 Holsinger
D617,191 S * 6/2010 Stull D9/452
D621,220 S 8/2010 Lown et al.
D630,044 S * 1/2011 Lane D7/392.1
D658,450 S 5/2012 Ying
D658,944 S 5/2012 Gilbert et al.
D660,648 S 5/2012 Gilbert
D674,661 S 1/2013 Shevin-Sandy
D682,041 S 5/2013 Moran, Sr.
D688,945 S * 9/2013 Kim D9/452

(Continued)

Primary Examiner — Robert M Spear
Assistant Examiner — Darcey E Heflin
(74) *Attorney, Agent, or Firm* — Polsinelli PC

(57) **CLAIM**

The ornamental design for a lid, as shown and described.

(56) **References Cited**

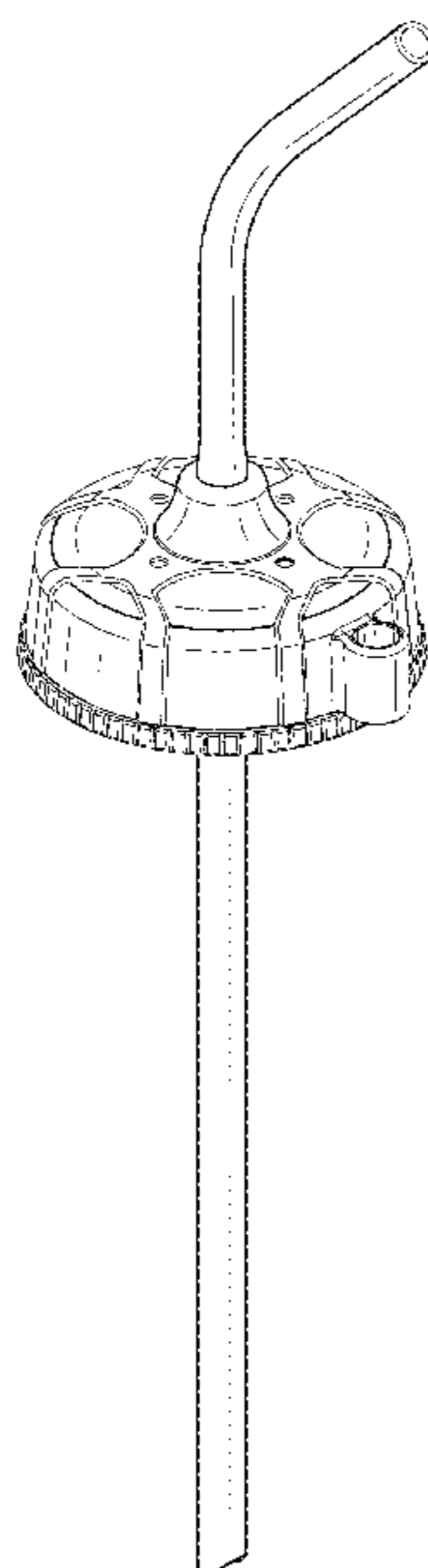
U.S. PATENT DOCUMENTS

806,528 A * 12/1905 Dewender B65D 77/283
215/229
D123,648 S * 11/1940 Holdren D9/453
D137,297 S * 2/1944 Ruther D23/213
D206,360 S * 11/1966 Pastorius, III D9/447
4,911,315 A * 3/1990 Shrum B65D 77/28
215/229
D318,427 S * 7/1991 Sherburne, Jr. 215/388
D324,824 S * 3/1992 Hansen 215/388
D327,848 S * 7/1992 Hanover 215/388
D336,043 S * 6/1993 Provencio D7/300.2
D366,616 S * 1/1996 Knickerbocker D9/445
D373,706 S 9/1996 Gregg
D419,071 S * 1/2000 Peters D9/449

DESCRIPTION

FIG. 1 is a perspective view of a lid;
FIG. 2 is a front view of the lid;
FIG. 3 is a rear view of the lid;
FIG. 4 is a right side view of the lid;
FIG. 5 is a left side view of the lid;
FIG. 6 is a top view of the lid; and,
FIG. 7 is a bottom view of the lid.
The broken lines showing in the figures are included for the purpose of illustrating portions of the lid that form no part of the claimed design.

1 Claim, 4 Drawing Sheets



(56)

References Cited

U.S. PATENT DOCUMENTS

D690,556 S *	10/2013	Boroski	D7/510
D711,229 S *	8/2014	George	D9/440
D722,872 S *	2/2015	Bowman	D9/436
D732,662 S *	6/2015	Shubin, Sr.	D24/121
D739,239 S *	9/2015	Seifer	D9/453
D757,542 S *	5/2016	Prum	D9/447
2011/0297678 A1 *	12/2011	Lane	B65D 39/08 220/212

* cited by examiner

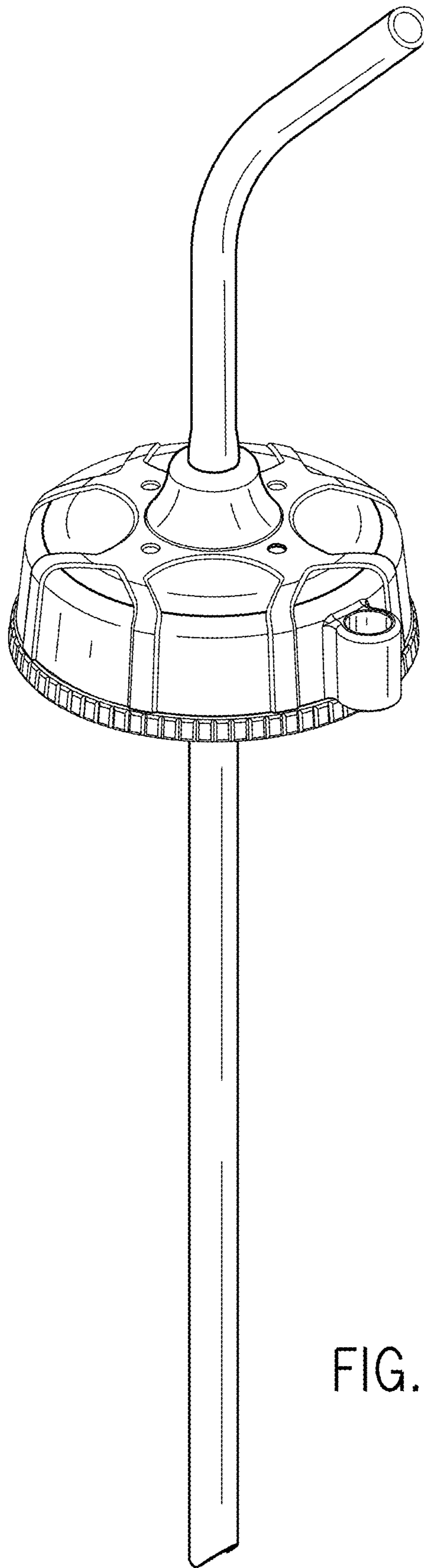


FIG. 1

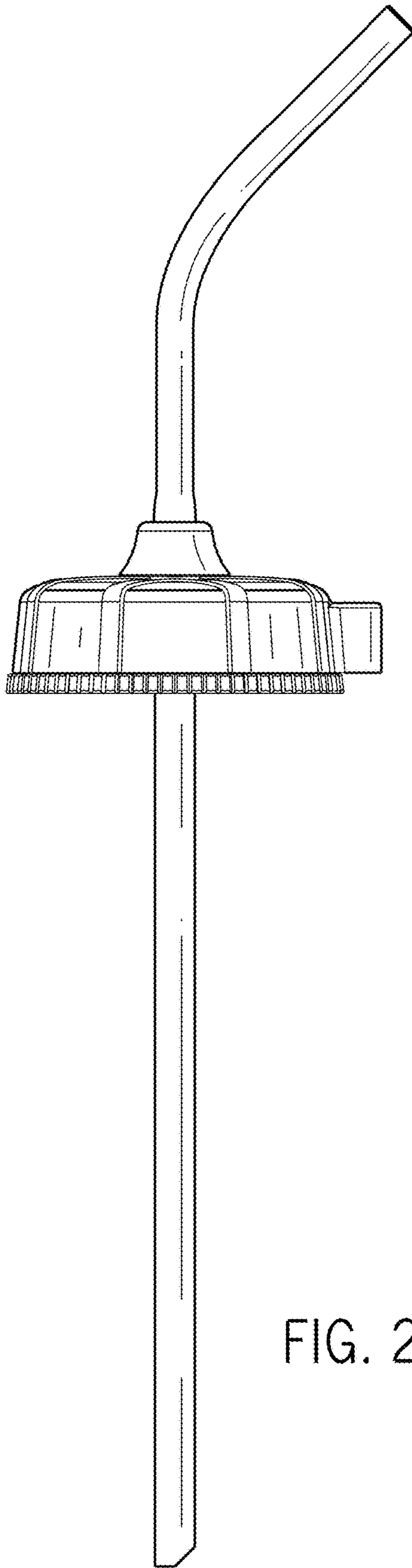


FIG. 2

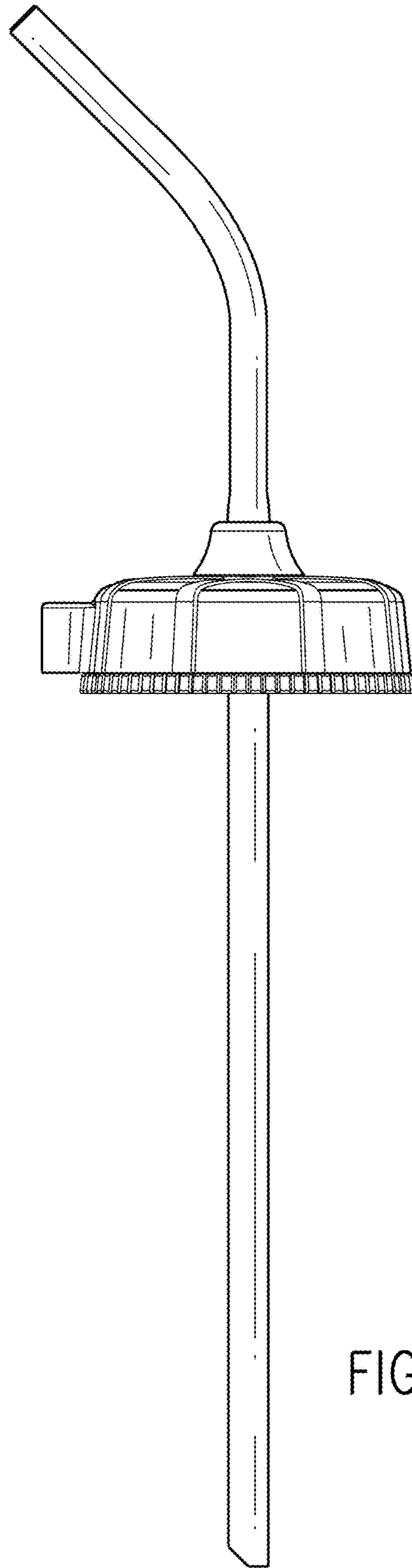


FIG. 3

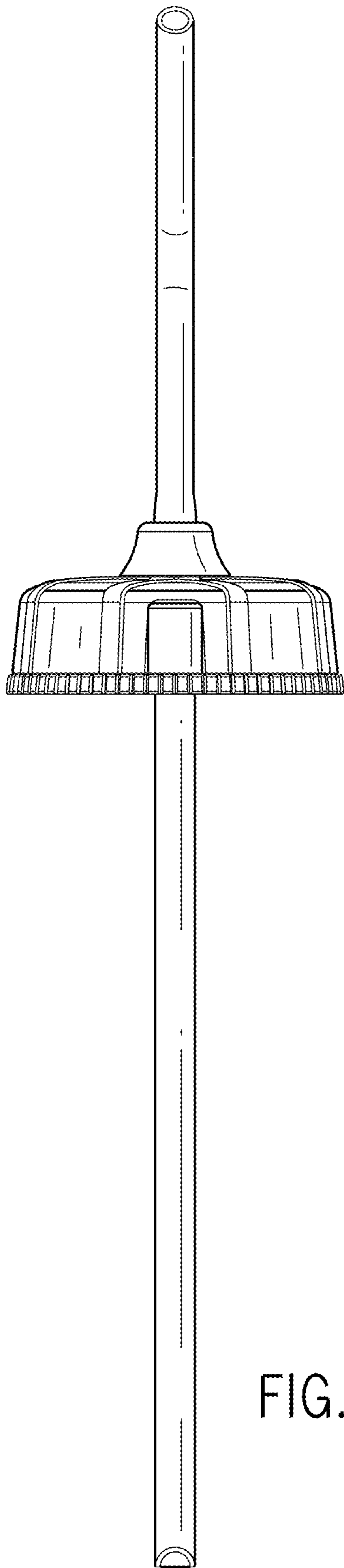


FIG. 4

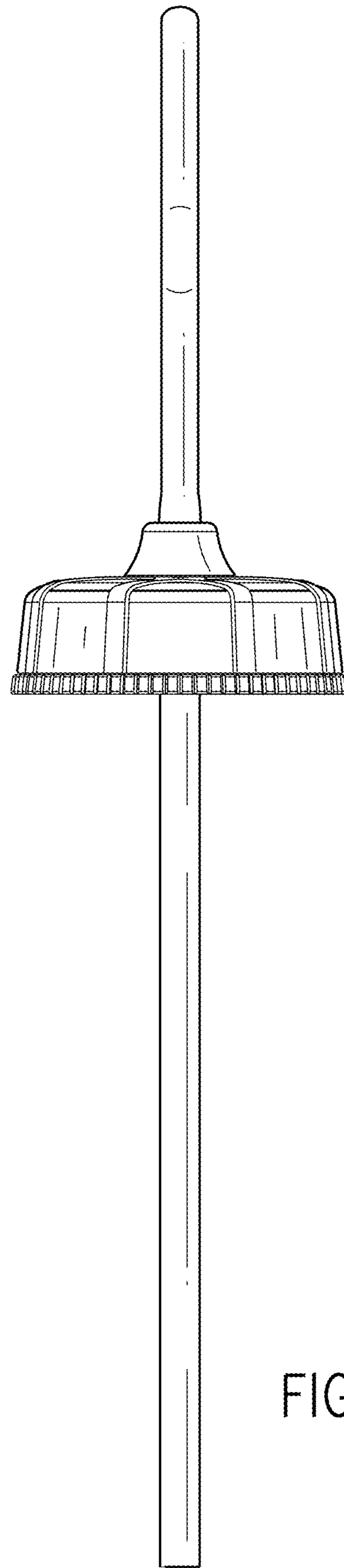


FIG. 5

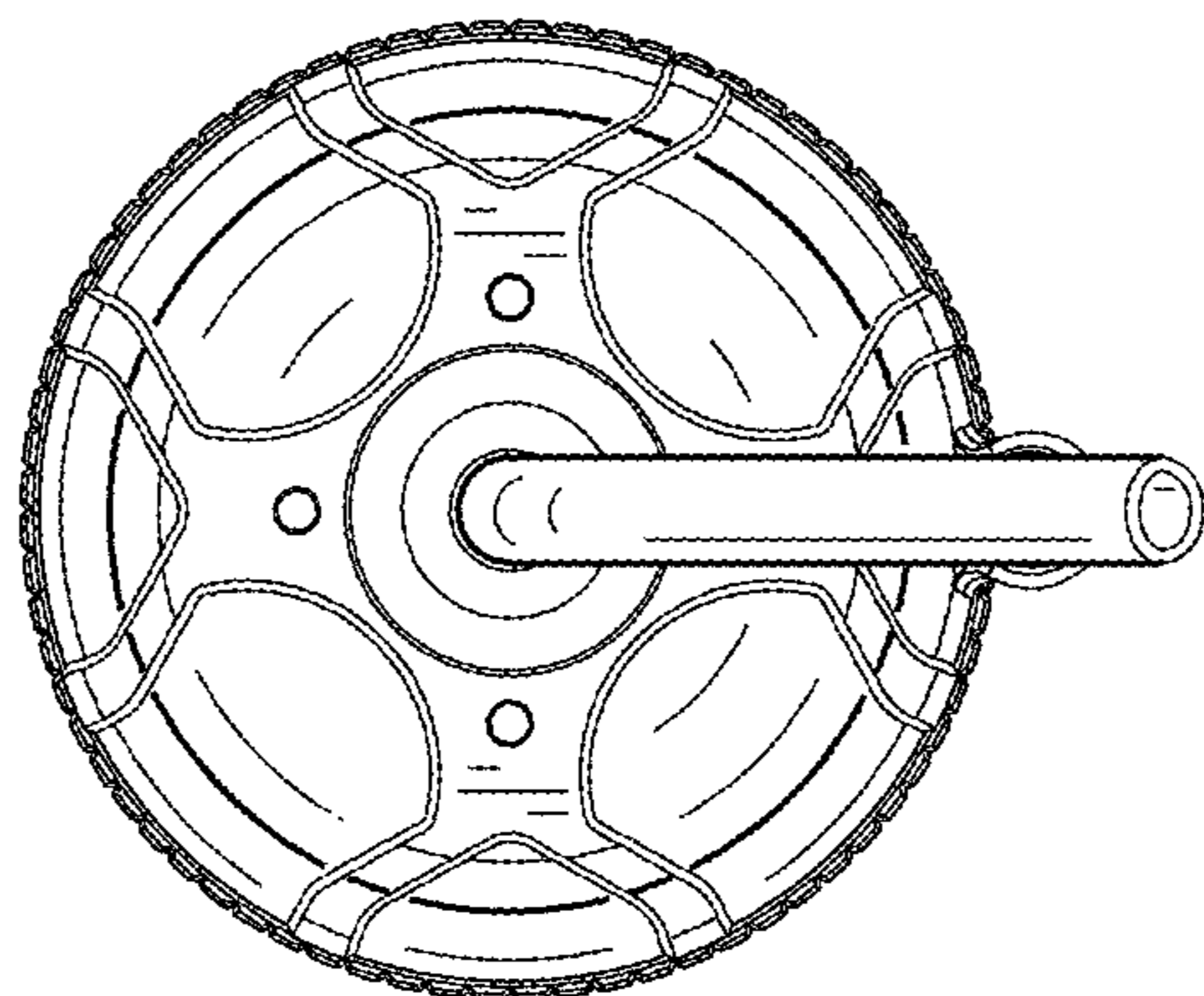


FIG. 6

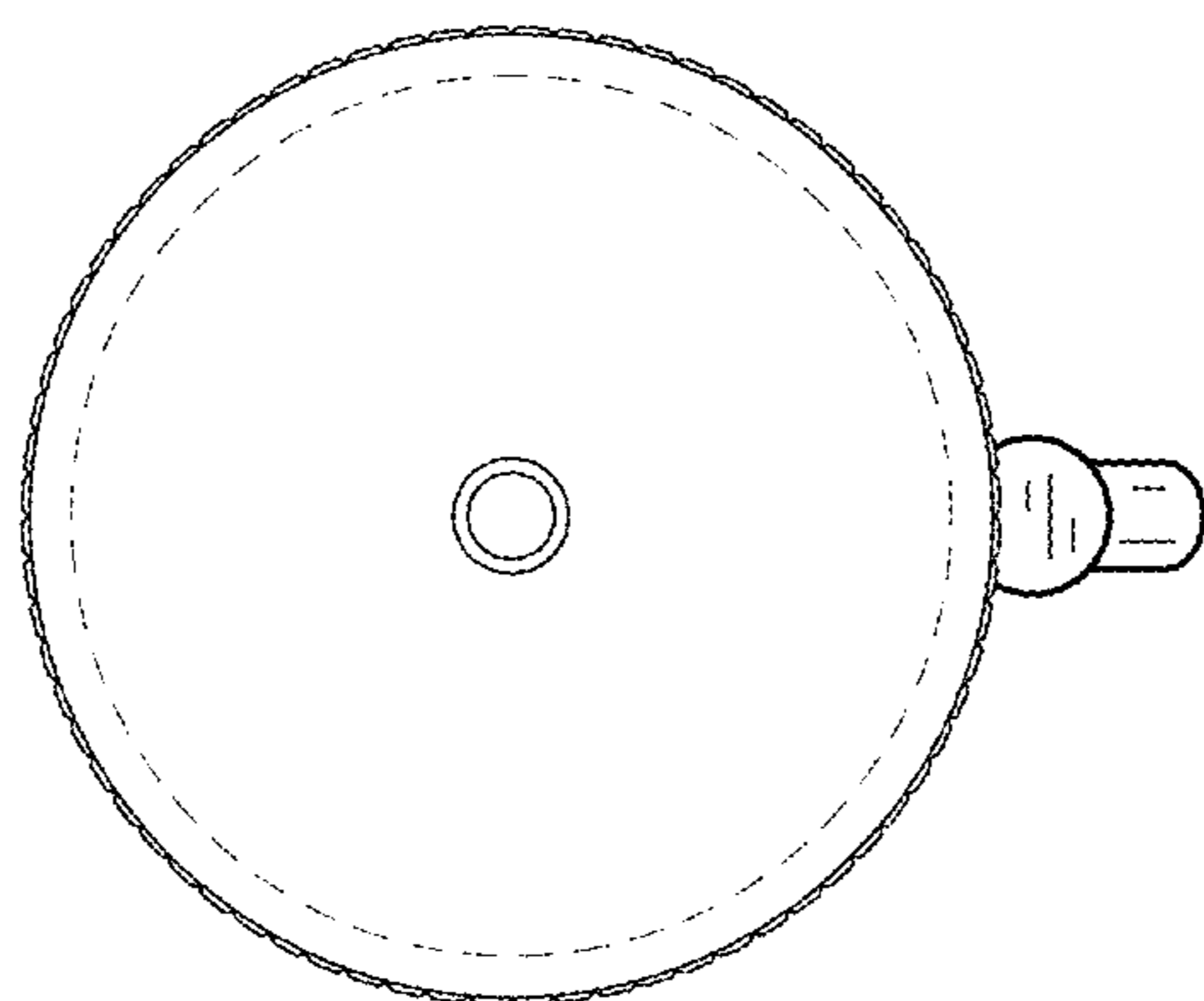


FIG. 7