



US00D779937S

(12) **United States Design Patent** (10) **Patent No.:** **US D779,937 S**
Lane et al. (45) **Date of Patent:** **** Feb. 28, 2017**

(54) **LID**
(71) Applicant: **THERMOS L.L.C.**, Schaumburg, IL (US)
(72) Inventors: **Marvin Lane**, Wheeling, IL (US);
Dwayne Boroski, Lake in the Hills, IL (US)
(73) Assignee: **THERMOS L.L.C.**, Schaumburg, IL (US)

D246,600 S * 12/1977 Kurata D24/224
5,881,868 A * 3/1999 Soyak A24F 15/00
206/213.1
D425,618 S * 5/2000 Niermann D24/122
D573,017 S * 7/2008 Henderson D9/436
D574,507 S * 8/2008 Muir D24/224
D596,440 S * 7/2009 Rothberg D7/300.2
D596,944 S * 7/2009 Mueller D9/516
8,172,454 B2 * 5/2012 Choi A47J 43/0716
366/147
D668,116 S * 10/2012 Eyal D7/510
D715,143 S * 10/2014 Hewitt D9/436
(Continued)

(**) Term: **15 Years**

(21) Appl. No.: **29/536,881**
(22) Filed: **Aug. 20, 2015**

Related U.S. Application Data

(63) Continuation of application No. 29/499,405, filed on Aug. 14, 2014.
(51) **LOC (10) Cl.** **09-07**
(52) **U.S. Cl.**
USPC **D9/436**
(58) **Field of Classification Search**
USPC D9/435, 436, 440, 443, 445, 446, 447,
D9/448, 450, 452, 453, 454, 499; D7/392,
D7/392.1, 396.2
CPC B65D 58/32; B65D 47/243; B65D 83/28;
B65D 43/0212; B65D 55/024; B65D
47/0809; B65D 2251/105
See application file for complete search history.

(56) **References Cited**

U.S. PATENT DOCUMENTS

982,597 A * 1/1911 Habig B05B 15/062
15/144.1
2,187,558 A * 1/1940 Kushima A47G 19/2288
215/12.1
2,746,265 A * 5/1956 Mills B65D 51/24
62/293
D213,292 S * 2/1969 Arsenault et al. D24/121

OTHER PUBLICATIONS

Thermos Connected Hydration Water Bottle with Smart Lid. www.Target.com. 5 pages. Found online May 16, 2016 at <http://www.target.com/p/thermos-connected-hydration-bottle-with-smart-lid-teal/-/A-24010647>.*

(Continued)

Primary Examiner — Robert M Spear

(74) *Attorney, Agent, or Firm* — Polsinelli PC

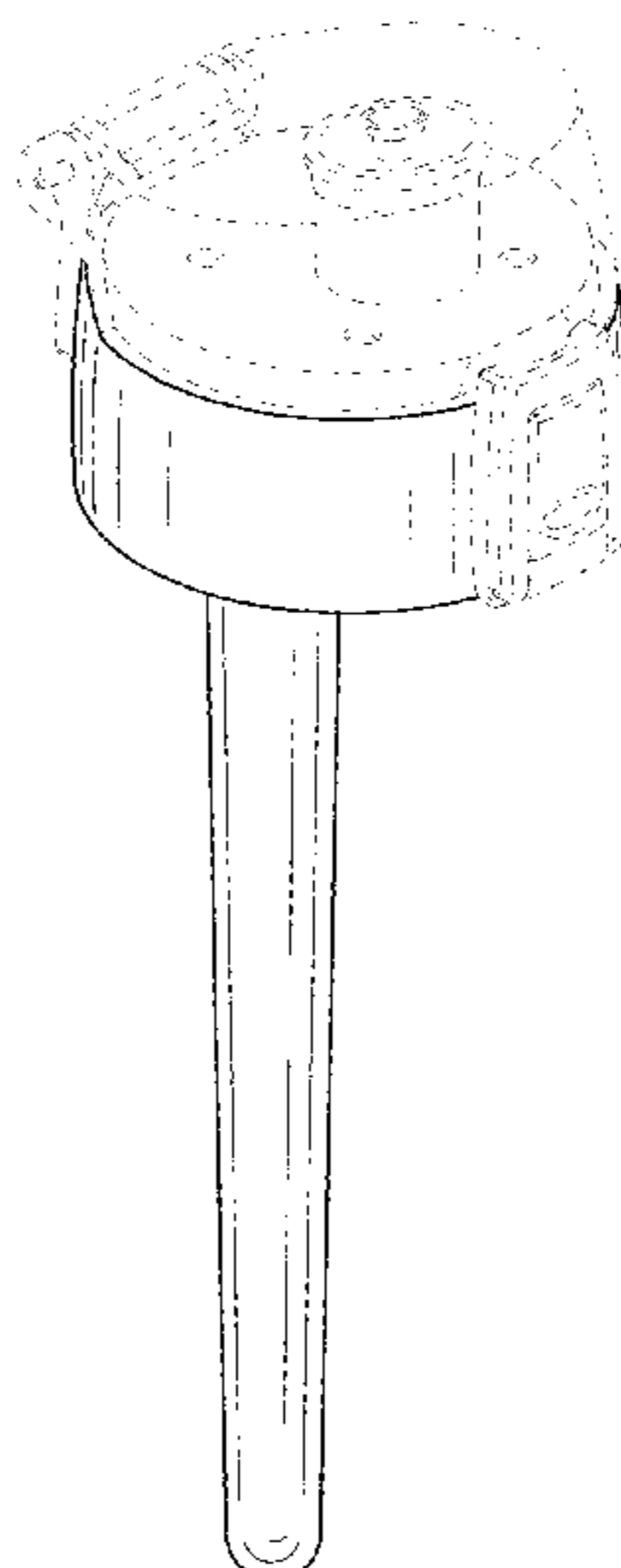
(57) **CLAIM**

The ornamental design for a lid, as shown and described.

DESCRIPTION

FIG. 1 is a perspective view of the lid;
FIG. 2 is a right side view of the lid;
FIG. 3 is a front view of the lid;
FIG. 4 is a left side view of the lid;
FIG. 5 is a rear view of the lid;
FIG. 6 is a top view of the lid; and,
FIG. 7 is a bottom view of the lid.
The broken lines showing in the figures are included for the purpose of illustrating portions of the lid that form no part of the claimed design.

1 Claim, 4 Drawing Sheets



(56)

References Cited

U.S. PATENT DOCUMENTS

D731,240 S * 6/2015 Bell D7/300.2
D758,790 S * 6/2016 Boroski D7/392.1
2004/0123620 A1* 7/2004 Porter F25D 31/007
62/457.3

OTHER PUBLICATIONS

Thermos Connected Hydration Water Bottle. Found online May 16, 2016 at <http://www.target.com/p/thermos-connected-hydration-bottle-with-smart-lid-teal/-/A-24010647>.*

* cited by examiner

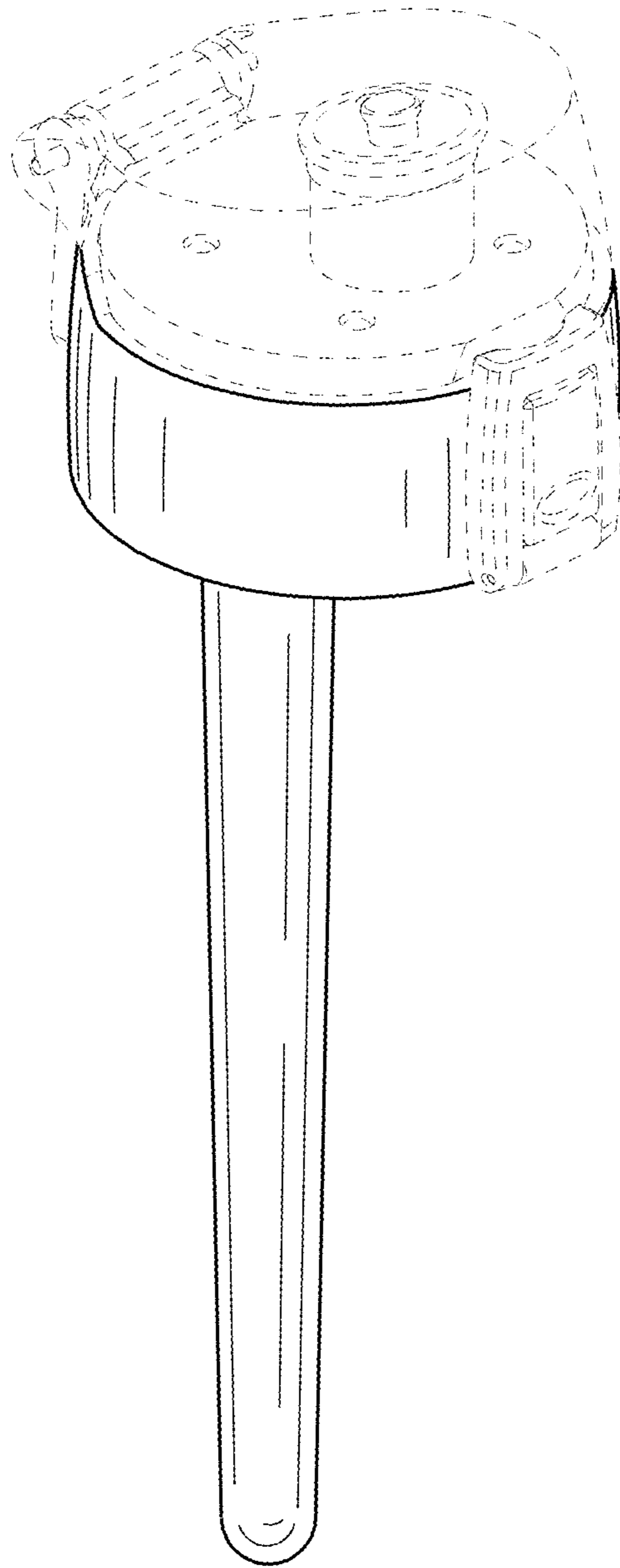
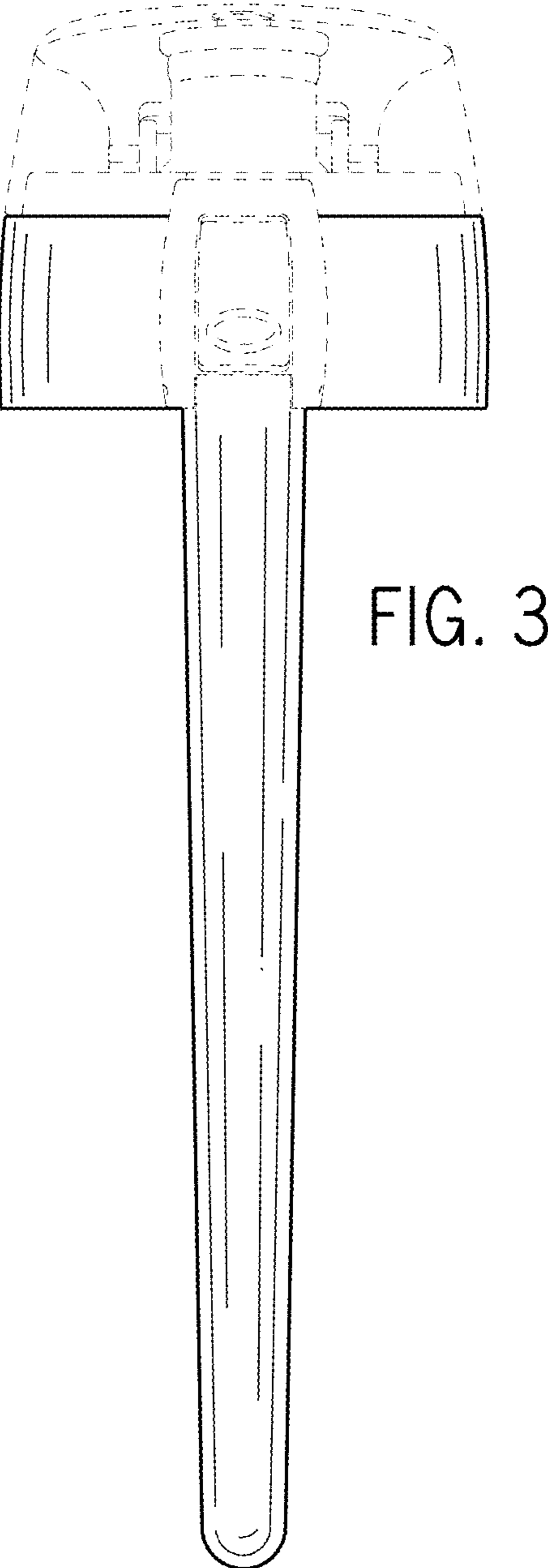
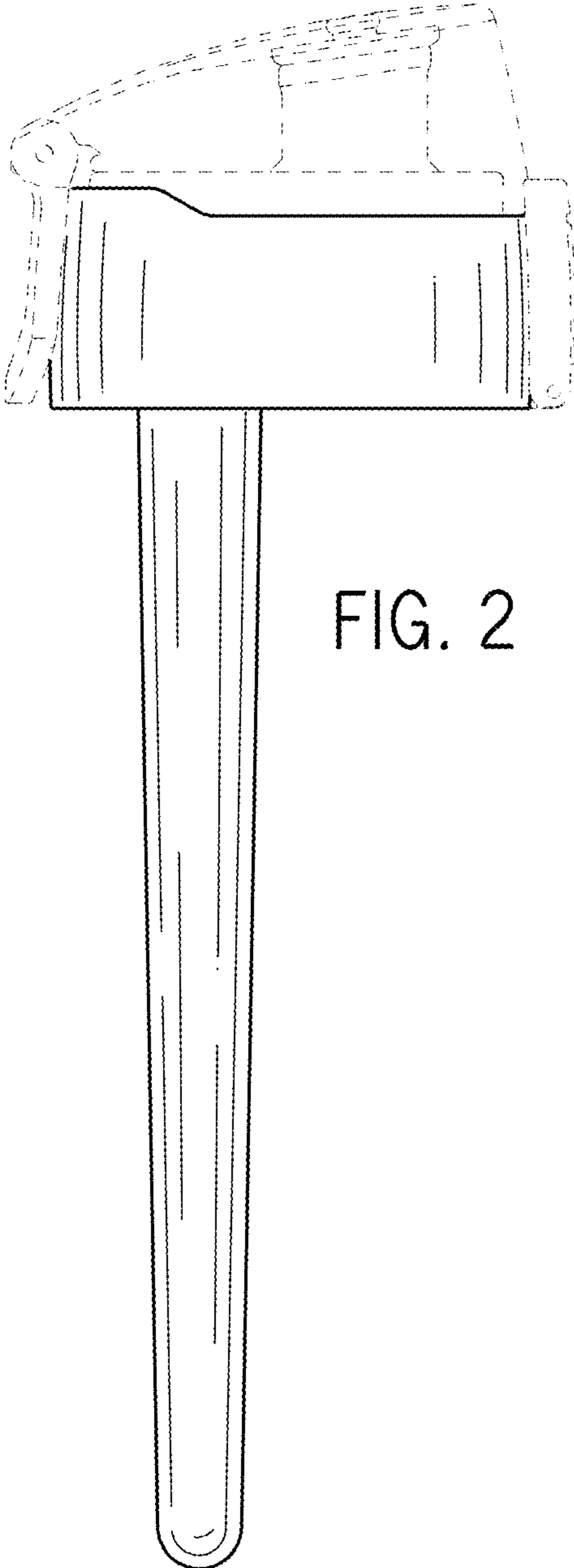


FIG. 1



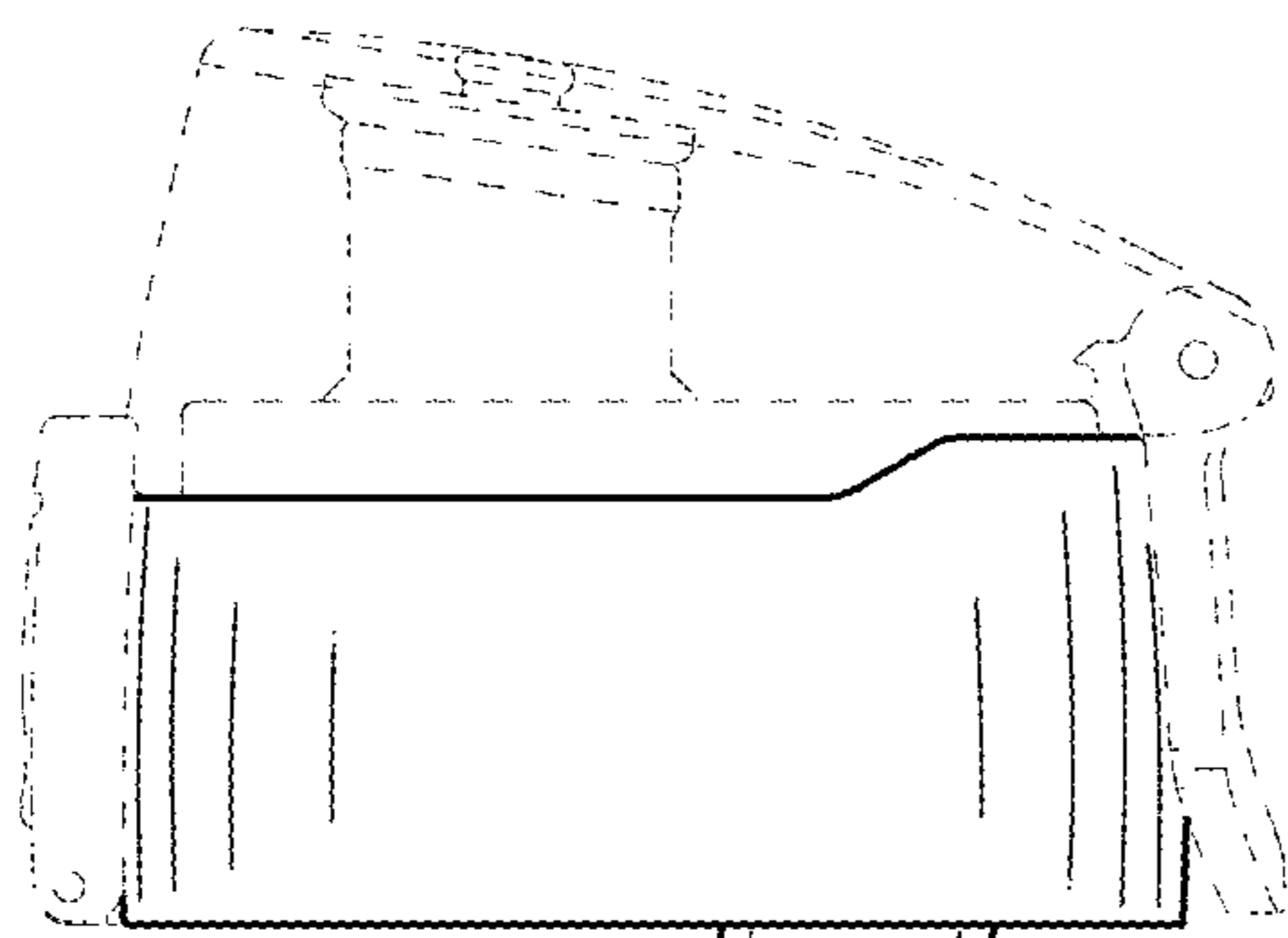


FIG. 4

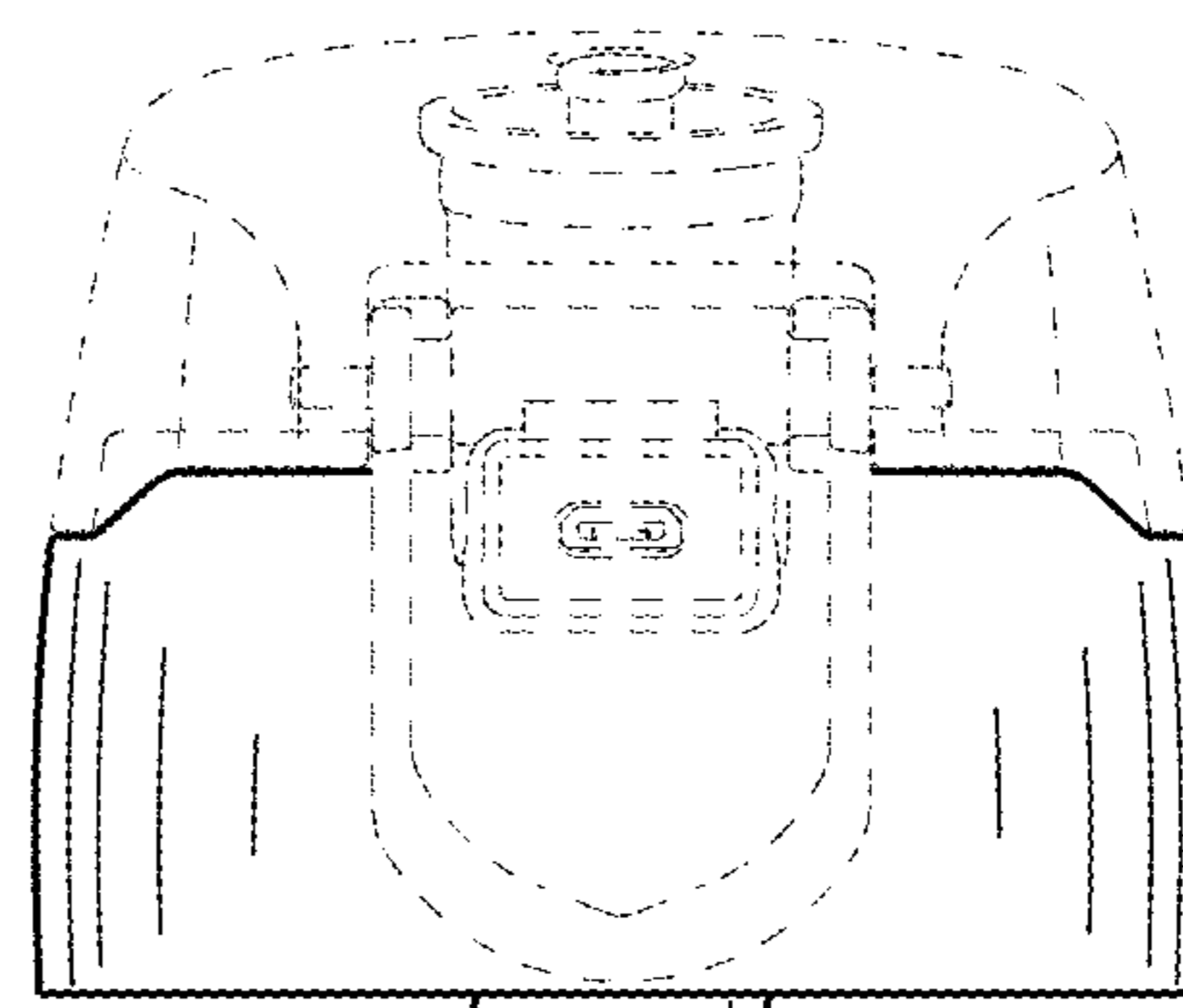


FIG. 5

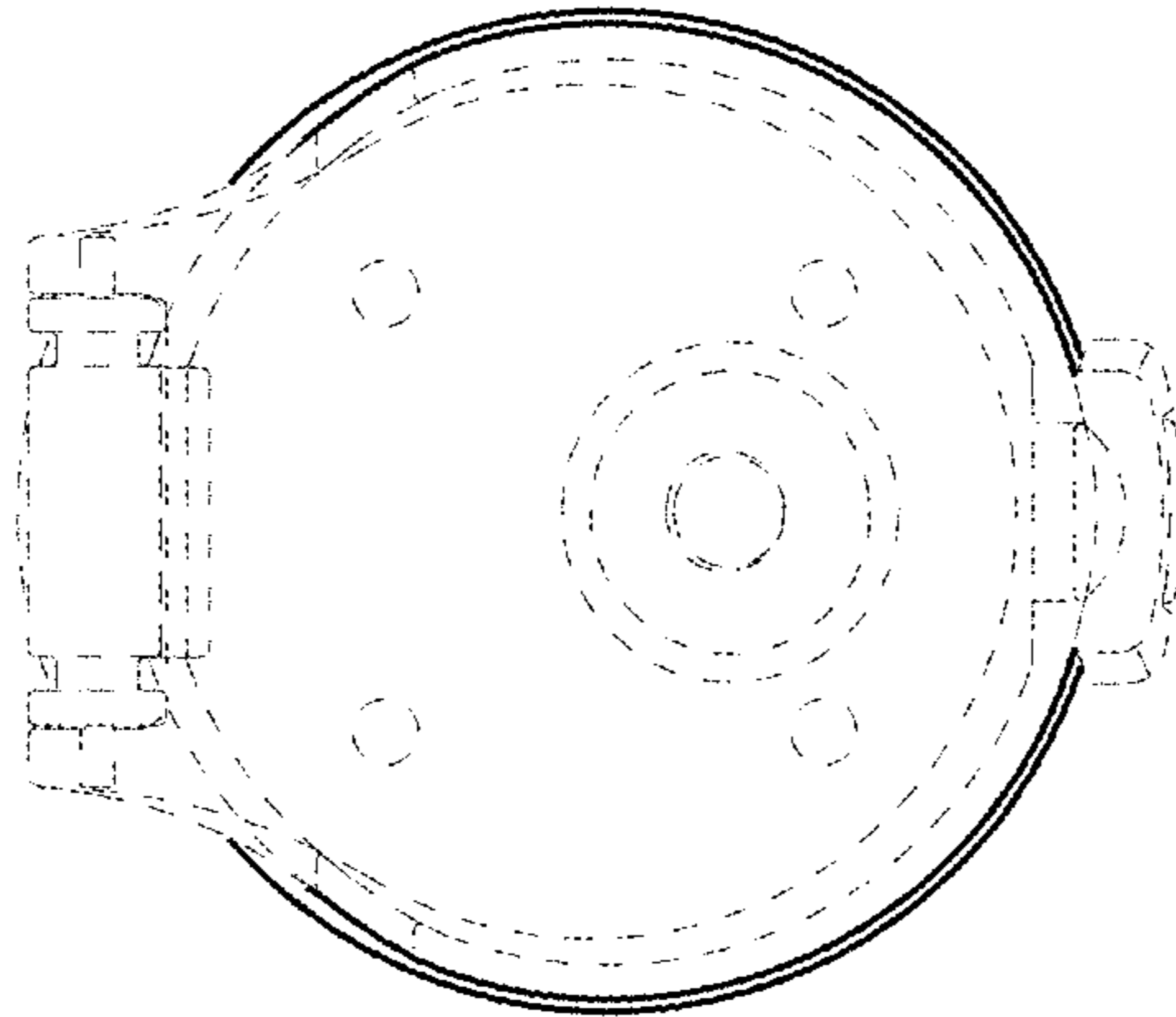


FIG. 6

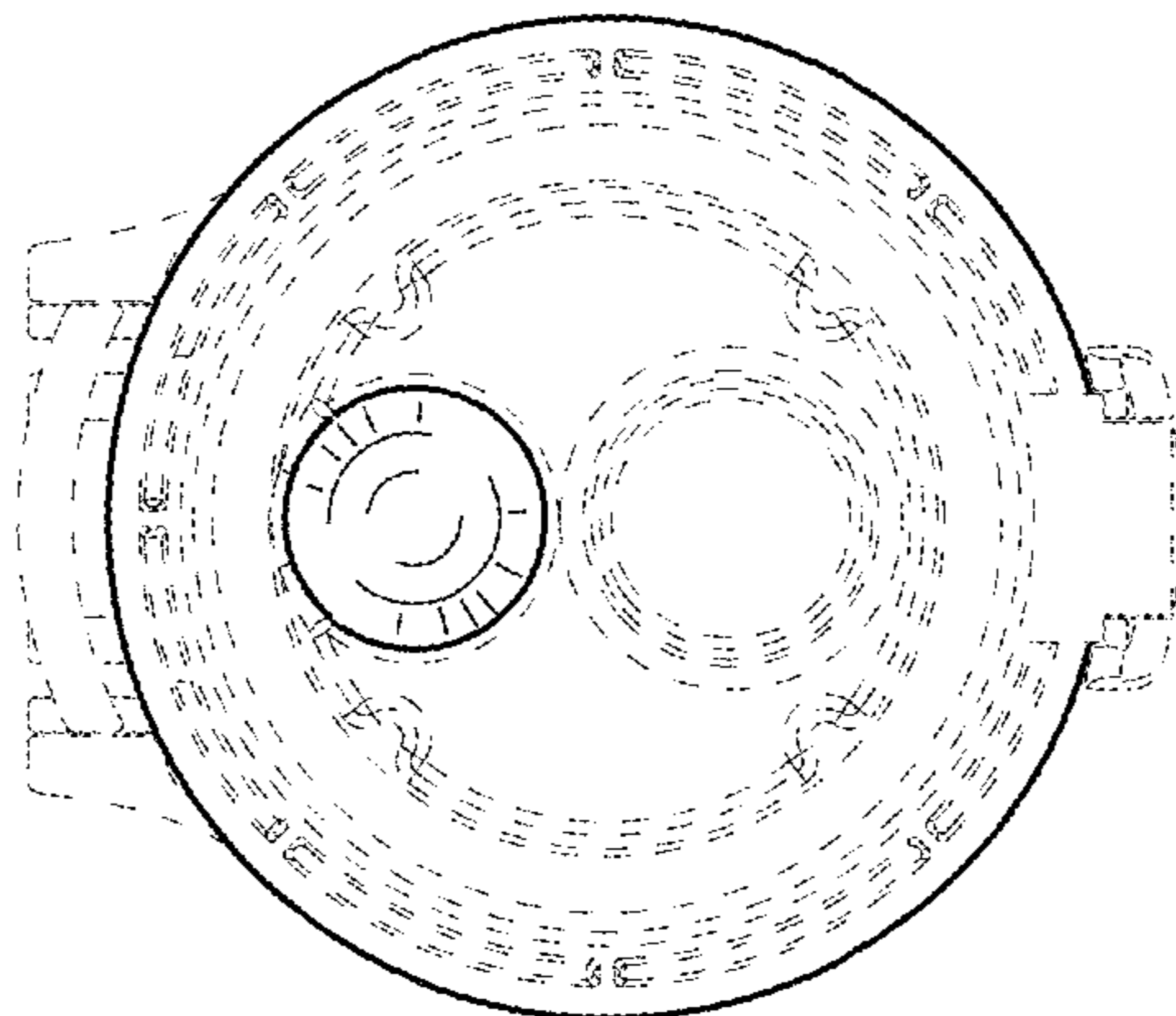


FIG. 7