



US00D779936S

(12) **United States Design Patent**  
**Thompson**

(10) **Patent No.:** **US D779,936 S**

(45) **Date of Patent:** **\*\* Feb. 28, 2017**

(54) **DELIVERY BOX**

(71) Applicant: **Nature Delivered Limited**, Richmond (GB)

(72) Inventor: **Neil Thompson**, Richmond (GB)

(73) Assignee: **Nature Delivered Limited** (GB)

(\*\*) Term: **15 Years**

(21) Appl. No.: **29/534,654**

(22) Filed: **Jul. 30, 2015**

(51) **LOC (10) Cl.** ..... **09-03**

(52) **U.S. Cl.**  
USPC ..... **D9/433**

(58) **Field of Classification Search**  
USPC ..... D9/430, 432, 433, 431, 756, 426, 725,  
D9/425, 242, 761; D7/543, 545, 602,  
D7/552.2, 538, 553.1, 553.2, 555, 541;  
229/112  
CPC ..... B65D 1/00; B65D 5/4291; B65D 5/38;  
B65D 1/225; B65D 5/002; A47F 5/11  
See application file for complete search history.

(56) **References Cited**

**U.S. PATENT DOCUMENTS**

- 2,443,431 A \* 6/1948 Ringler ..... B65D 5/244  
229/122.33
- 4,306,658 A \* 12/1981 Montealegre ..... B65D 81/343  
229/101
- 4,340,169 A \* 7/1982 Webinger ..... B65D 5/0005  
229/101
- 5,269,457 A \* 12/1993 de la Fuente ..... B65D 5/241  
206/366

(Continued)

*Primary Examiner* — Cynthia Underwood

(74) *Attorney, Agent, or Firm* — Brinks Gilson & Lione

(57) **CLAIM**

I claim the ornamental design for a delivery box, as shown and described.

**DESCRIPTION**

FIG. 1 is a top perspective view of a delivery box of an embodiment of the design, wherein the box is in a closed state and the sides not shown are the same as those shown; FIG. 2 is a front perspective view thereof, wherein the box is in a partially opened state;

FIG. 3 is a side perspective view thereof, wherein the box is in a partially opened state and an opposite side view will be a mirror image thereof;

FIG. 4 is a further perspective view thereof, wherein the box is in a partially opened state, more opened than in FIGS. 2 and 3;

FIG. 5 is a further perspective side view thereof, wherein the box is in a closed state and an opposite side view is a mirror image of FIG. 5;

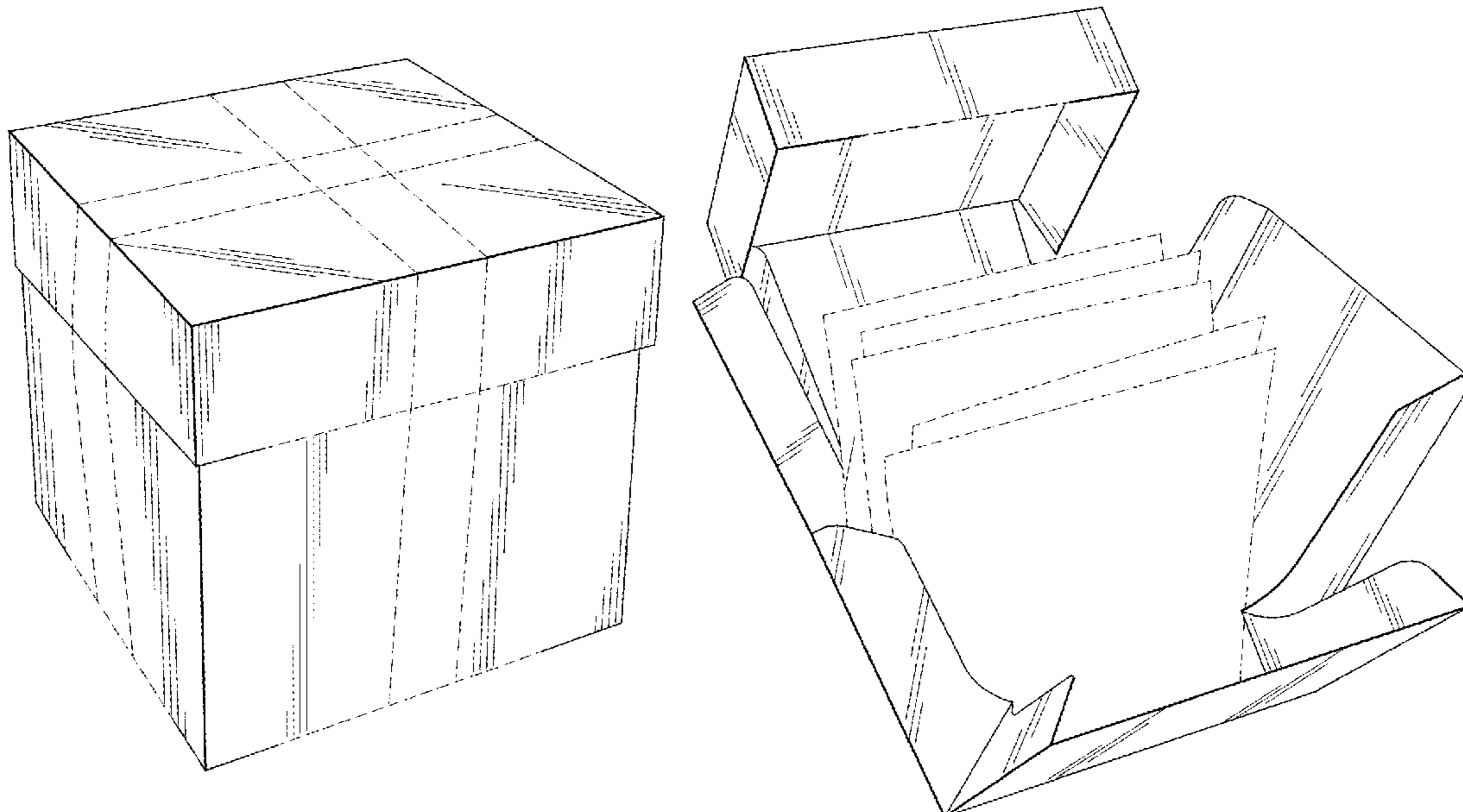
FIG. 6 is a further side perspective view thereof, wherein the box is in a closed state, where each other side view will be the same thereto;

FIG. 7 is a further perspective view thereof, wherein the box is in a partially opened state and wherein an arrangement that contents for delivery in the box may take is illustrated; FIG. 8 is another perspective view thereof, wherein the box is in a partially opened state and wherein an arrangement that contents for delivery in the box may take is illustrated; and,

FIG. 9 is another perspective view thereof, wherein the box is in a partially opened state.

The broken lines in the drawings depict environmental subject matter and form no part of the claimed design. Portions of the article not shown (e.g. the bottom) form no part of the claim unless otherwise described above.

**1 Claim, 9 Drawing Sheets**



(56)

**References Cited**

U.S. PATENT DOCUMENTS

5,284,294 A \* 2/1994 Floyd ..... B65D 5/248  
 229/117.15  
 D345,101 S \* 3/1994 Abrams ..... D9/423  
 5,307,982 A \* 5/1994 Swindell ..... B65D 5/46024  
 229/117.19  
 6,588,651 B2 \* 7/2003 Quaintance ..... B65D 5/029  
 229/109  
 D607,281 S \* 1/2010 Meyers ..... D30/129  
 7,654,440 B2 \* 2/2010 Quaintance ..... B65D 5/029  
 229/109  
 D633,806 S \* 3/2011 Lecoule ..... D9/451  
 D646,579 S \* 10/2011 Rahe ..... D9/560  
 D703,529 S \* 4/2014 Voelker ..... D9/430  
 8,690,048 B2 \* 4/2014 Philips ..... B65D 77/065  
 220/23.91  
 D718,106 S \* 11/2014 Lauzet ..... D8/33  
 D725,465 S \* 3/2015 Voelker ..... D9/430  
 D726,533 S \* 4/2015 Northrup ..... D9/432  
 D728,364 S \* 5/2015 Baker ..... D9/432  
 9,108,793 B2 \* 8/2015 Northrup ..... B65D 5/64  
 D740,656 S \* 10/2015 Stewart ..... D9/432  
 D741,709 S \* 10/2015 Sohler ..... D9/432  
 D766,718 S \* 9/2016 Beckers ..... D9/433  
 2003/0160092 A1 \* 8/2003 Philips ..... B65D 77/065  
 229/122.32  
 2005/0040216 A1 \* 2/2005 Quaintance ..... B65D 5/002  
 229/110  
 2012/0312813 A1 \* 12/2012 Voelker ..... B65D 5/4204  
 220/23.89

\* cited by examiner

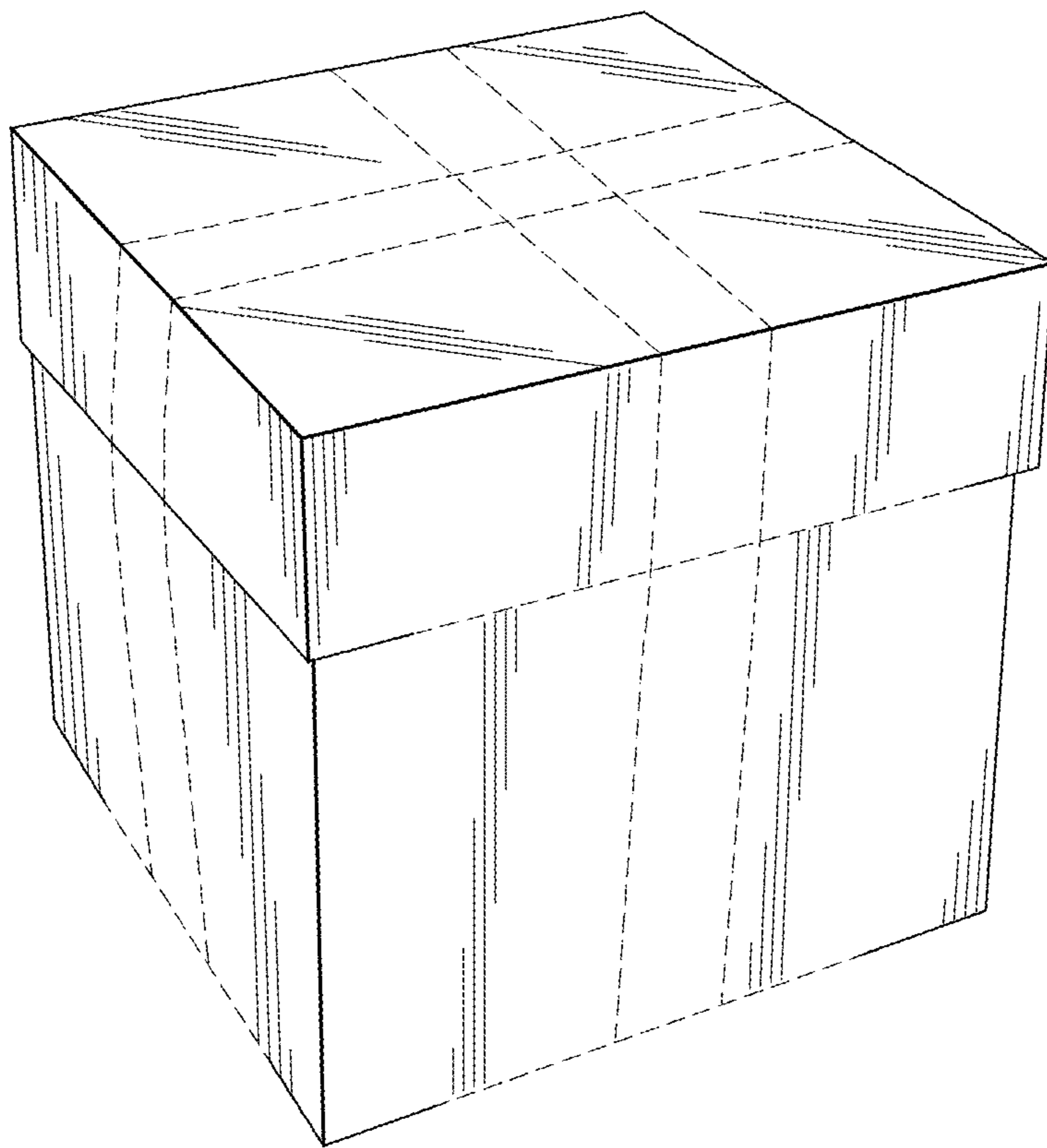


Fig. 1

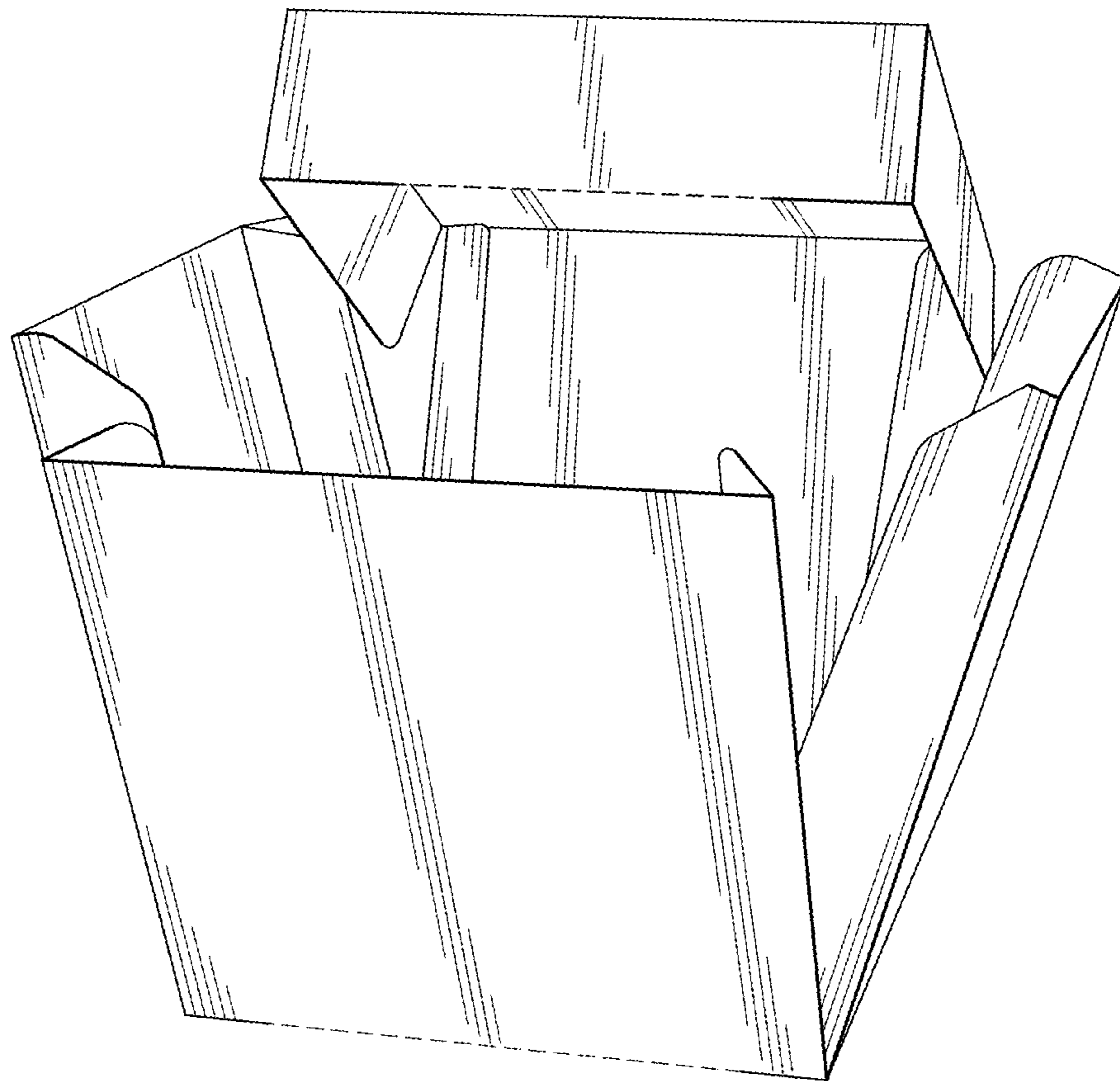


Fig. 2

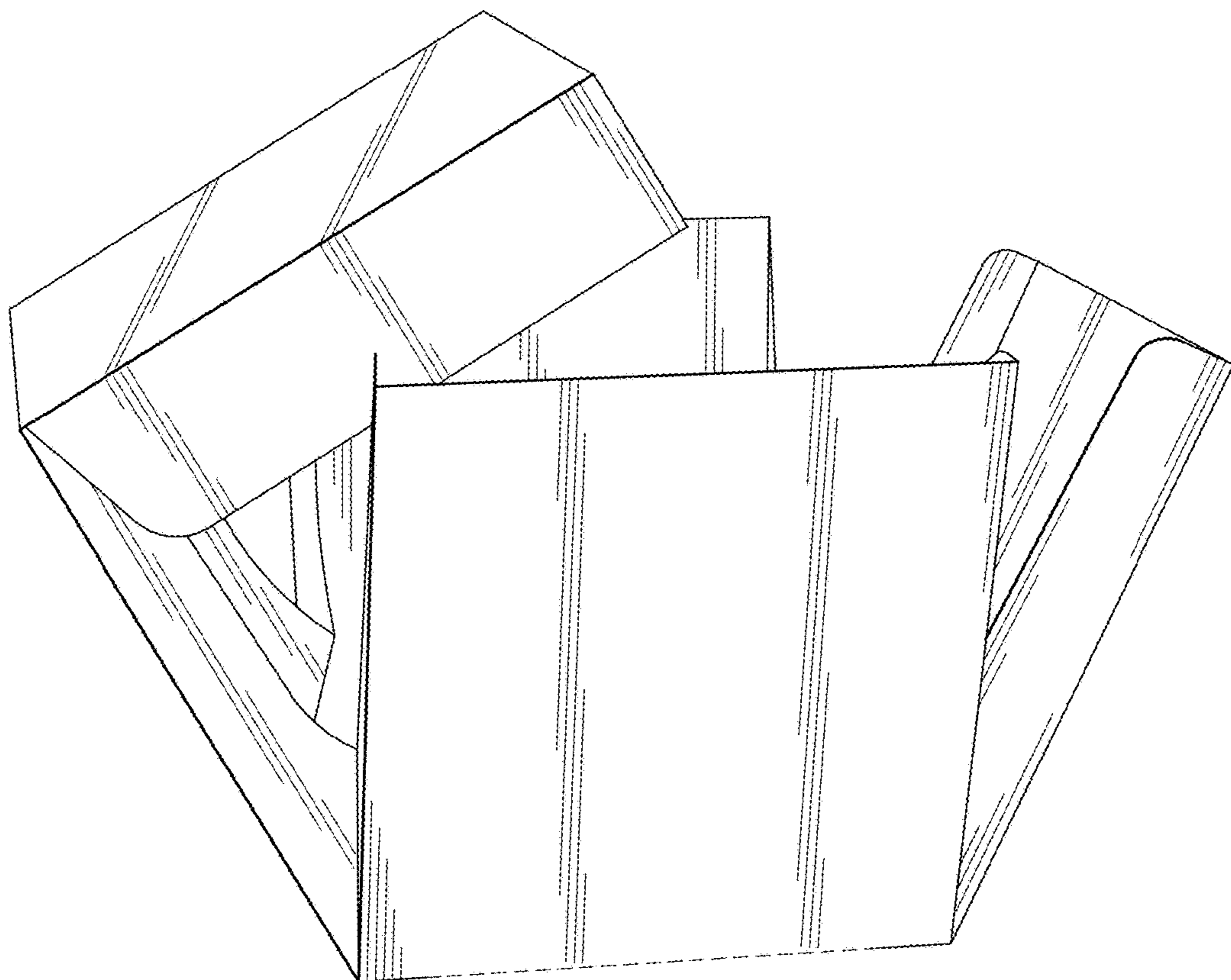


Fig. 3

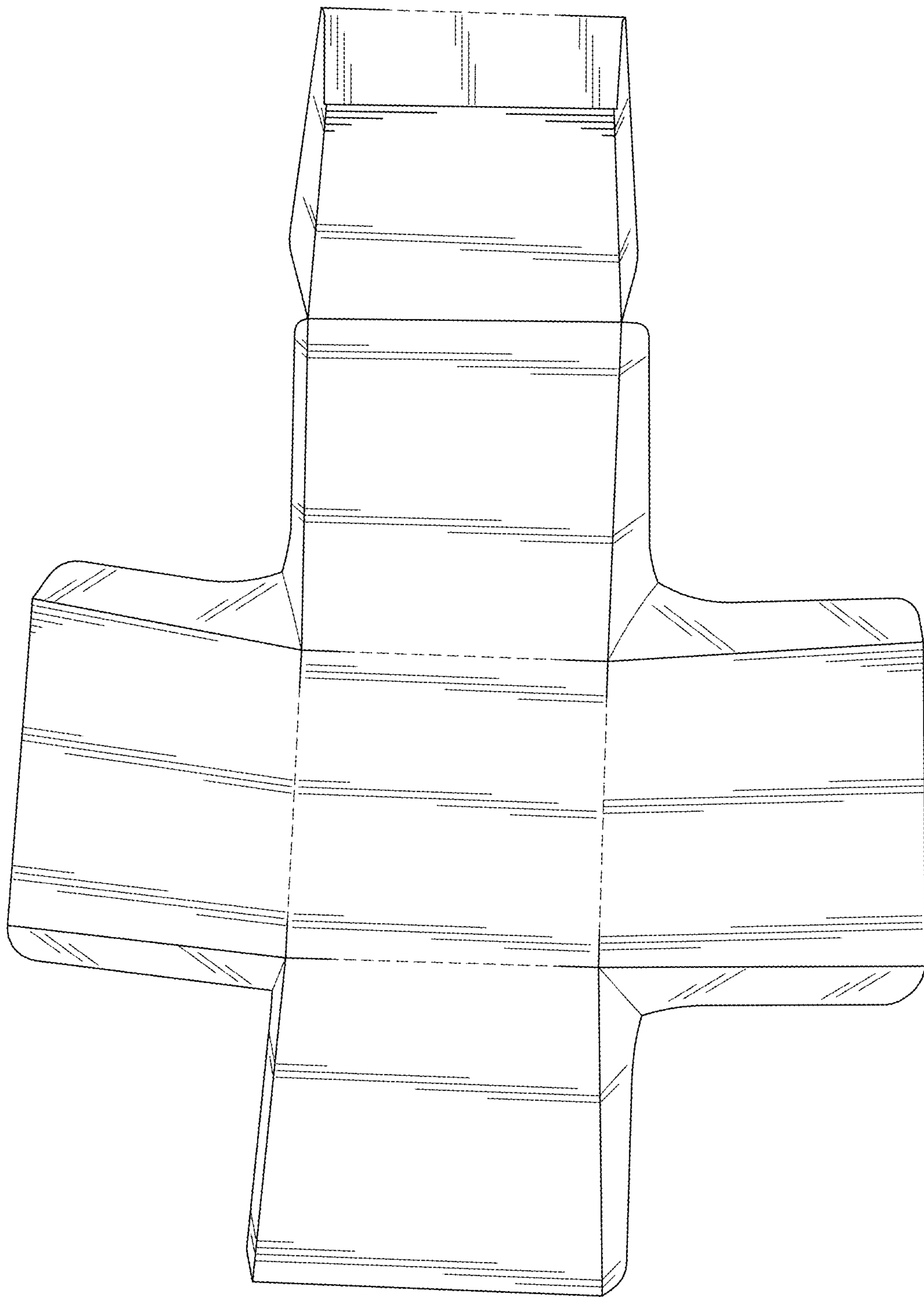


Fig. 4

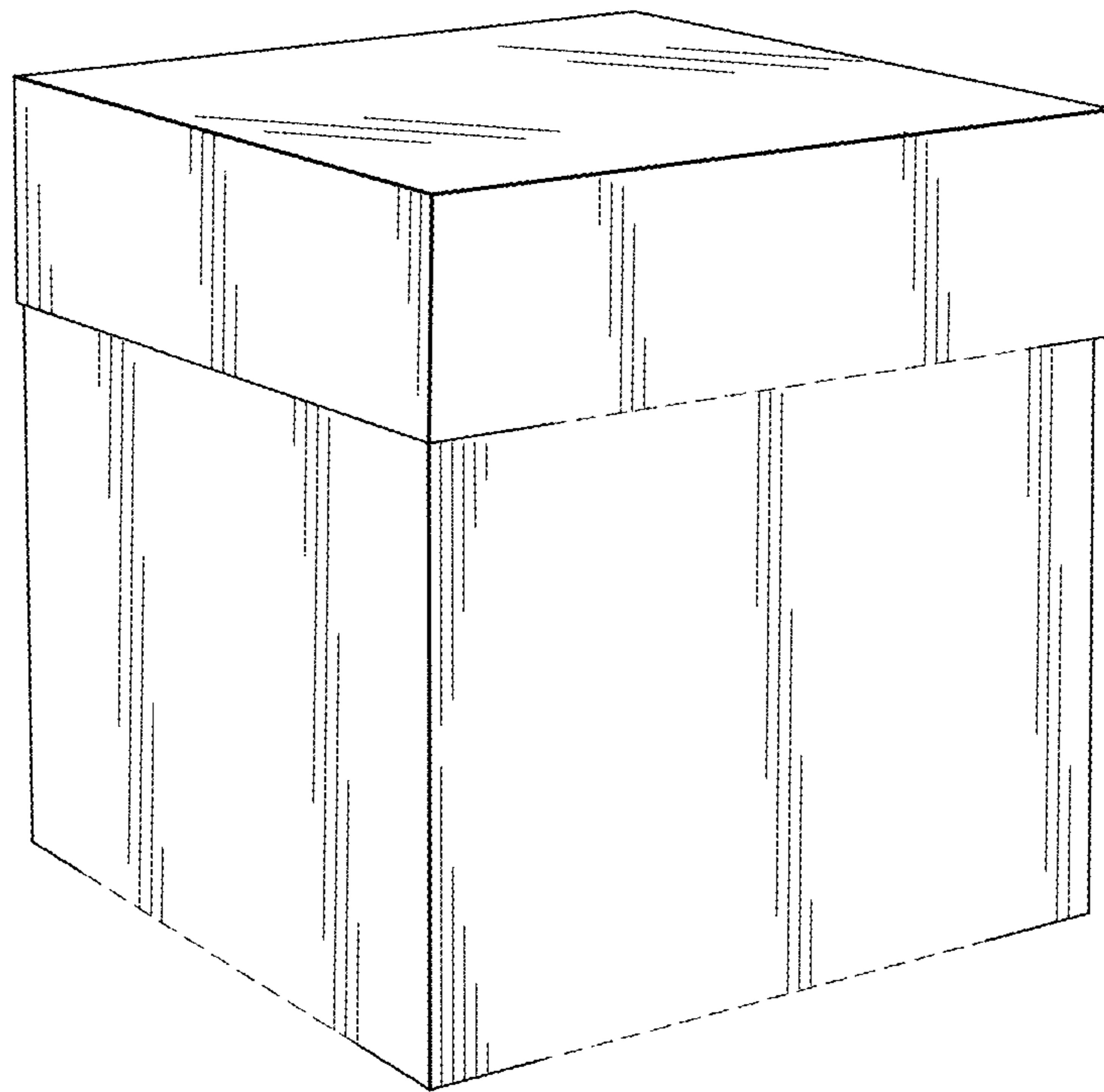


Fig. 5

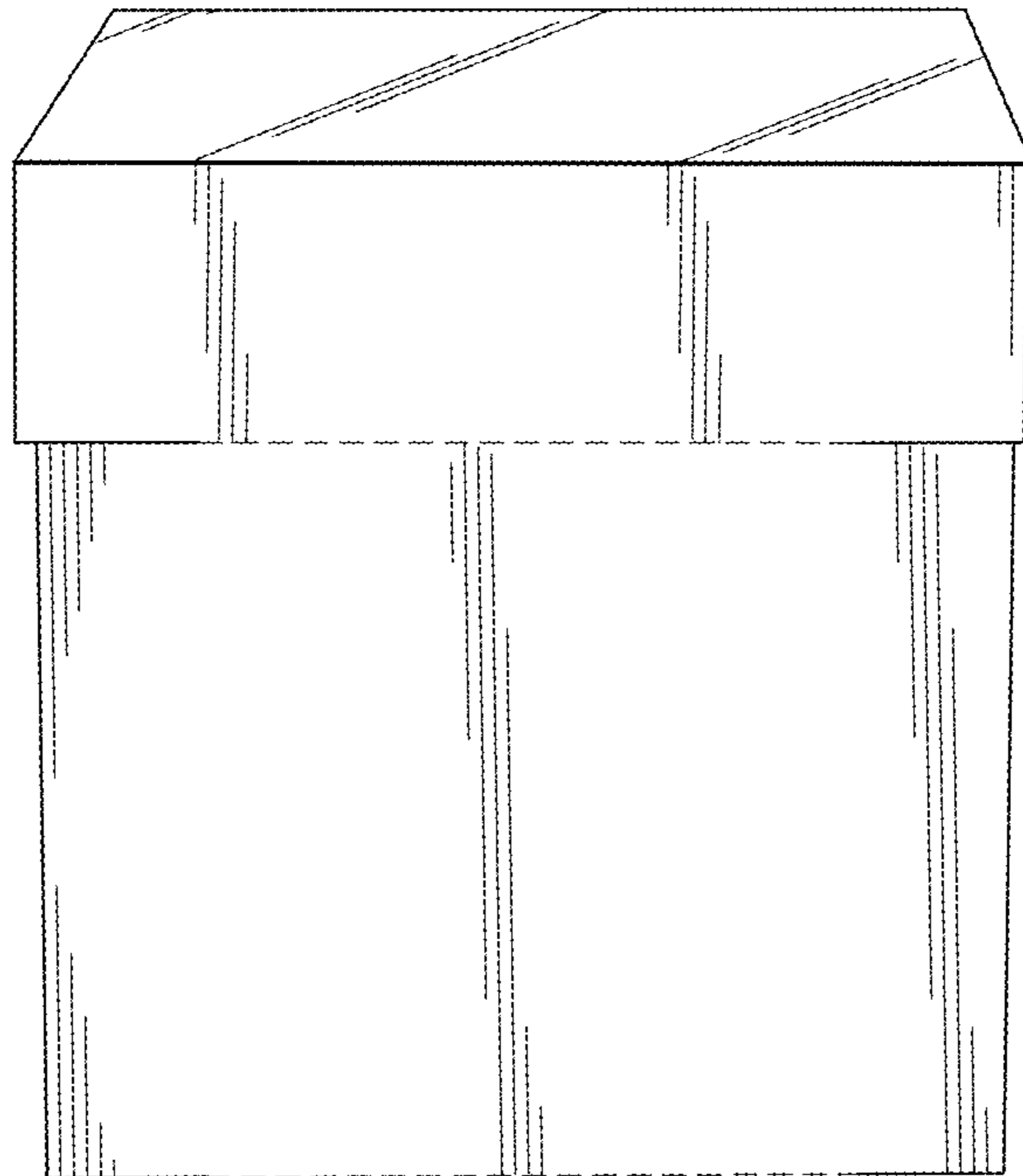


Fig. 6



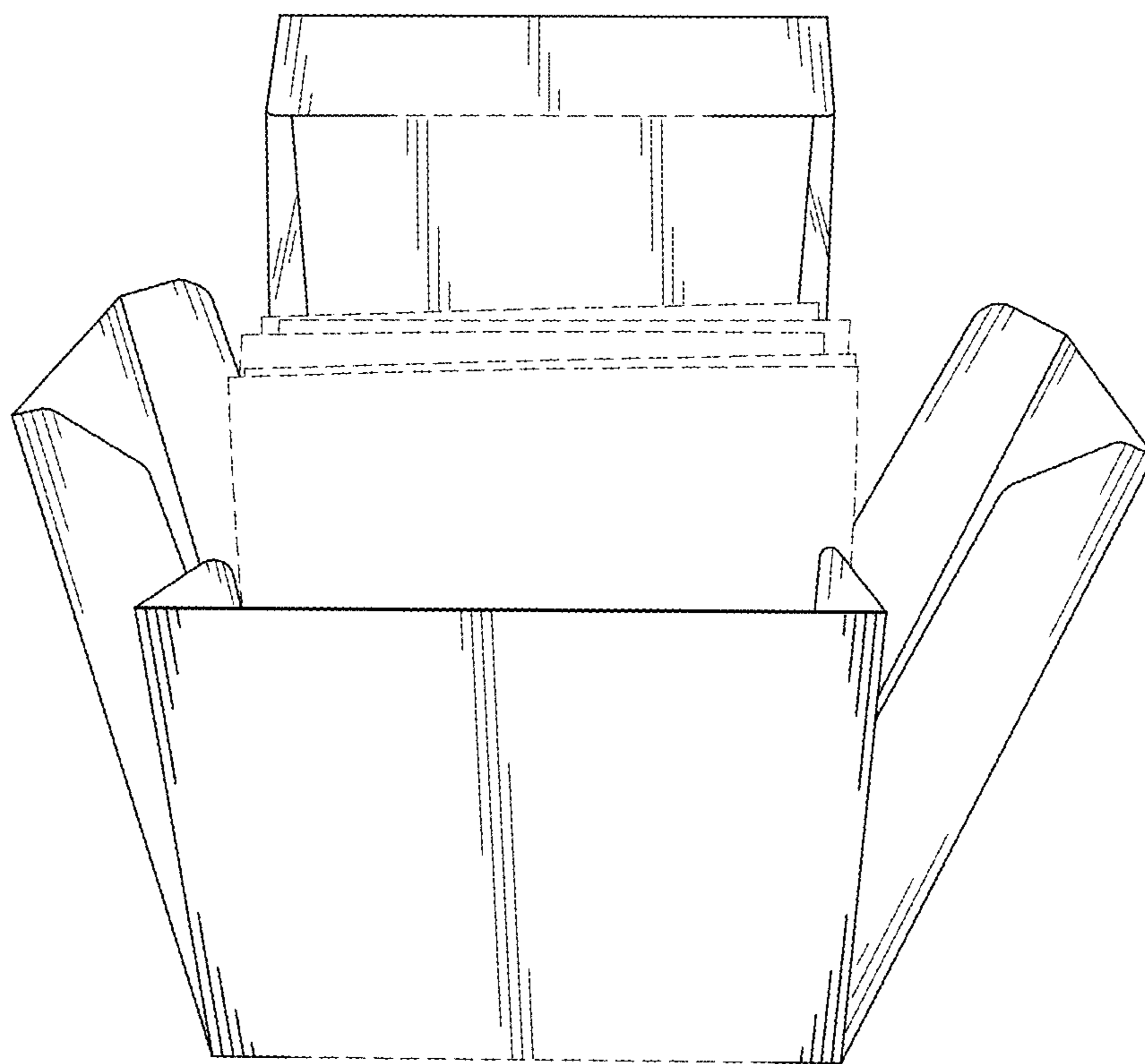


Fig. 7

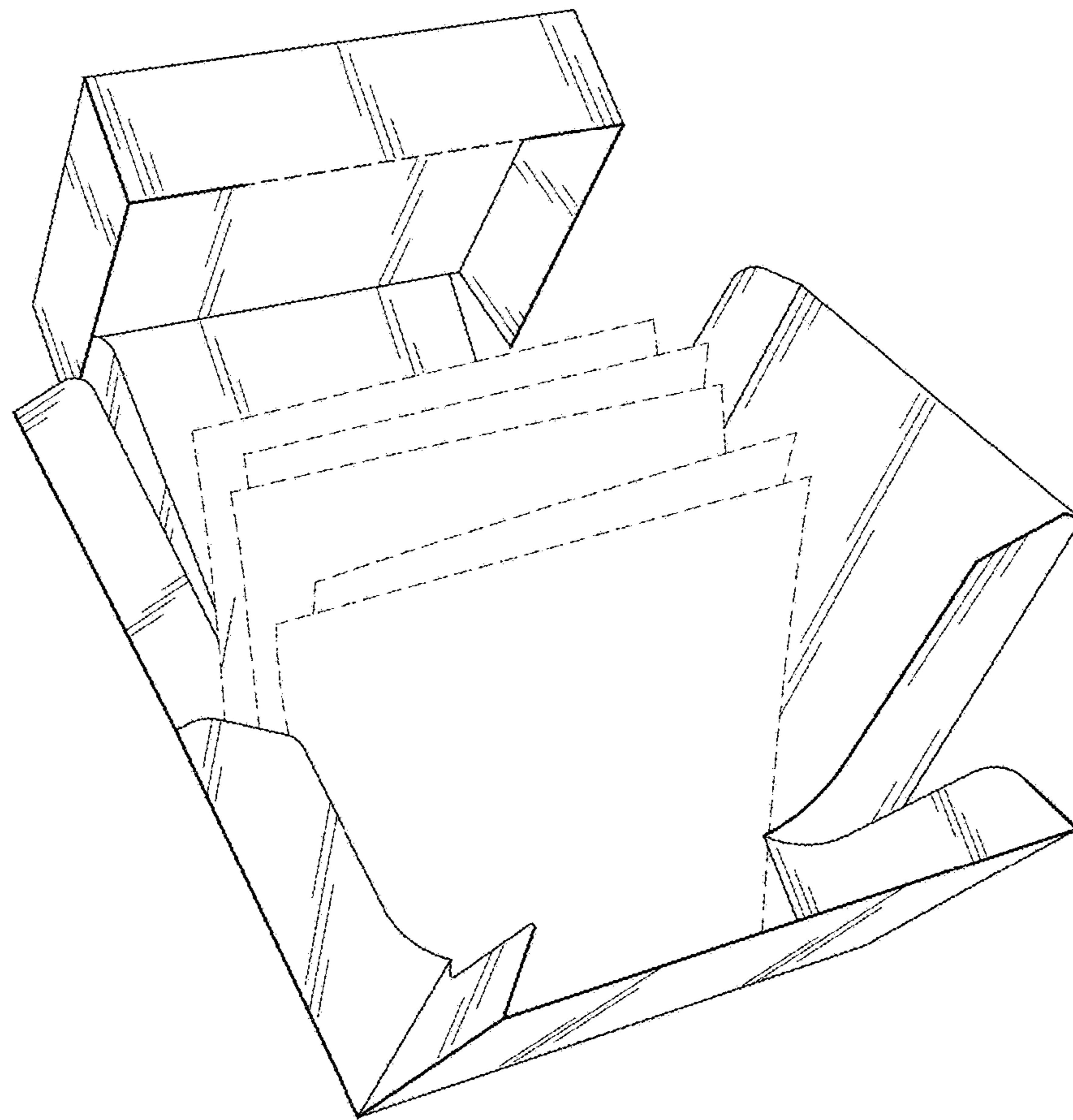


Fig. 8

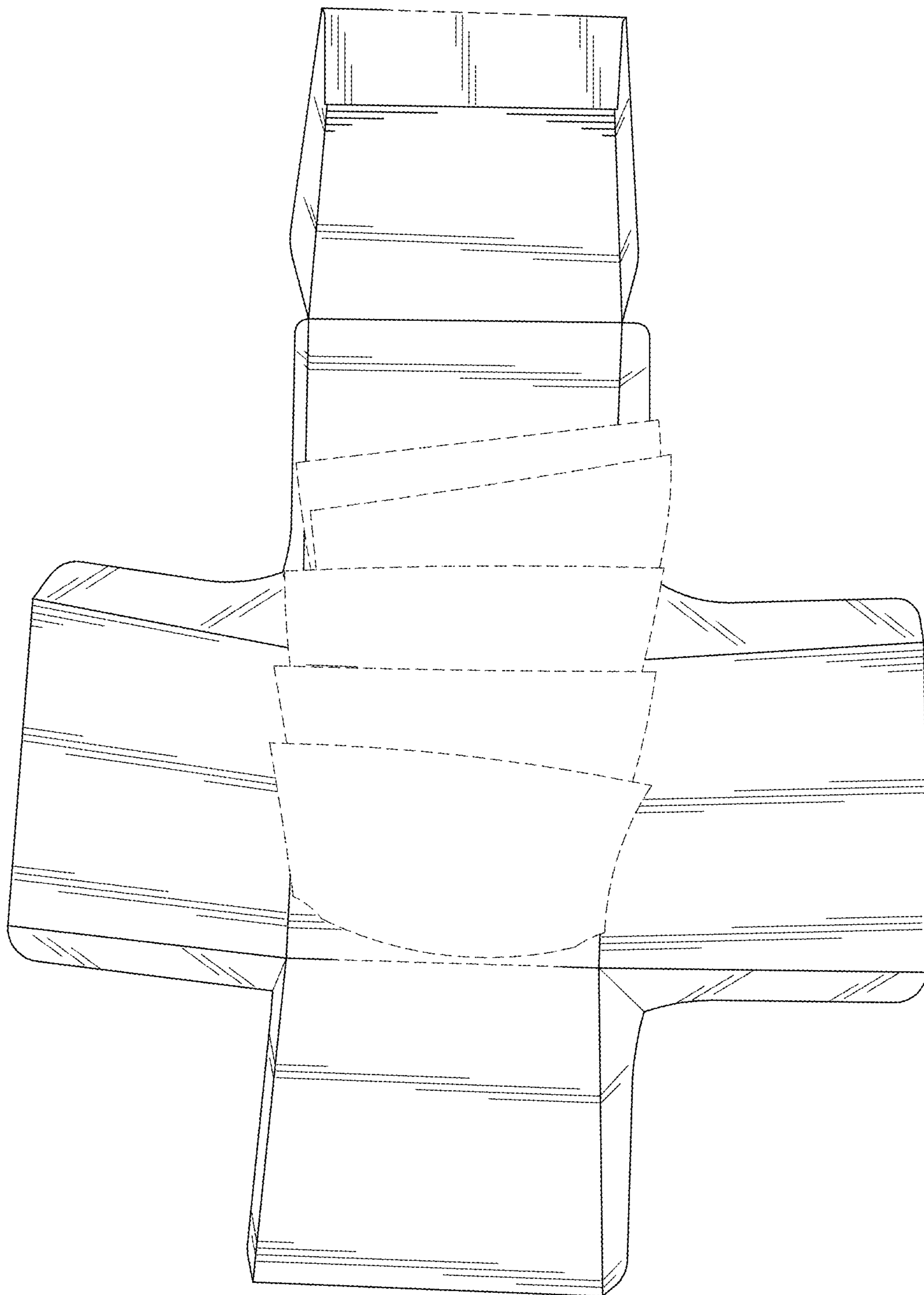


Fig. 9