



US00D779934S

(12) **United States Design Patent**
Parikh et al.

(10) **Patent No.:** **US D779,934 S**
(45) **Date of Patent:** **** *Feb. 28, 2017**

(54) **SINGLE PACK CONTAINER**

(71) Applicant: **GIVE AND GO PREPARED FOODS CORP.**

(72) Inventors: **Samir R. Parikh**, Brampton (CA);
Doug Brummer, Toronto (CA)

(73) Assignee: **Give and Go Prepared Foods Corp.**,
Toronto (CA)

(*) Notice: This patent is subject to a terminal disclaimer.

(**) Term: **14 Years**

(21) Appl. No.: **29/471,421**

(22) Filed: **Oct. 31, 2013**

(51) **LOC (10) Cl.** **09-03**

(52) **U.S. Cl.**
USPC **D9/425**

(58) **Field of Classification Search**
USPC D9/414, 415, 416, 419, 420, 421, 424,
D9/425, 428, 429, 454; D7/619.1, 629,
D7/672; 229/406; 220/656-659,
220/669-675, 912, 4.21-4.27; 206/503,
206/521.1, 553, 557, 541, 564, 775, 776,
206/217; D3/294
CPC A47J 36/06; A47J 47/14; B65D 1/165;
B65D 15/08; B65D 21/083; B65D
21/0234; B65D 43/162; B65D 71/50;
B65D 77/24; B65D 81/3869; B65D
2543/00046; B65D 2543/00055; B65D
2543/00083; B65D 2543/00092; B65D
2543/00296

See application file for complete search history.

(56) **References Cited**

U.S. PATENT DOCUMENTS

4,193,531 A 3/1980 Saby
D383,670 S * 9/1997 Gubeli D9/425

6,176,375 B1 1/2001 Truscello et al.
6,231,906 B1 5/2001 Alessi
D577,578 S 9/2008 Lymm et al.
D587,109 S 2/2009 Lyon et al.
D628,478 S * 12/2010 Snedden et al. D9/431

(Continued)

FOREIGN PATENT DOCUMENTS

CA 2776018 A1 11/2012

Primary Examiner — Karen S Acker

Assistant Examiner — Wendy Arminio

(74) *Attorney, Agent, or Firm* — Bereskin & Parr
LLP/S.E.N.C.R.L., s.r.l.

(57) **CLAIM**

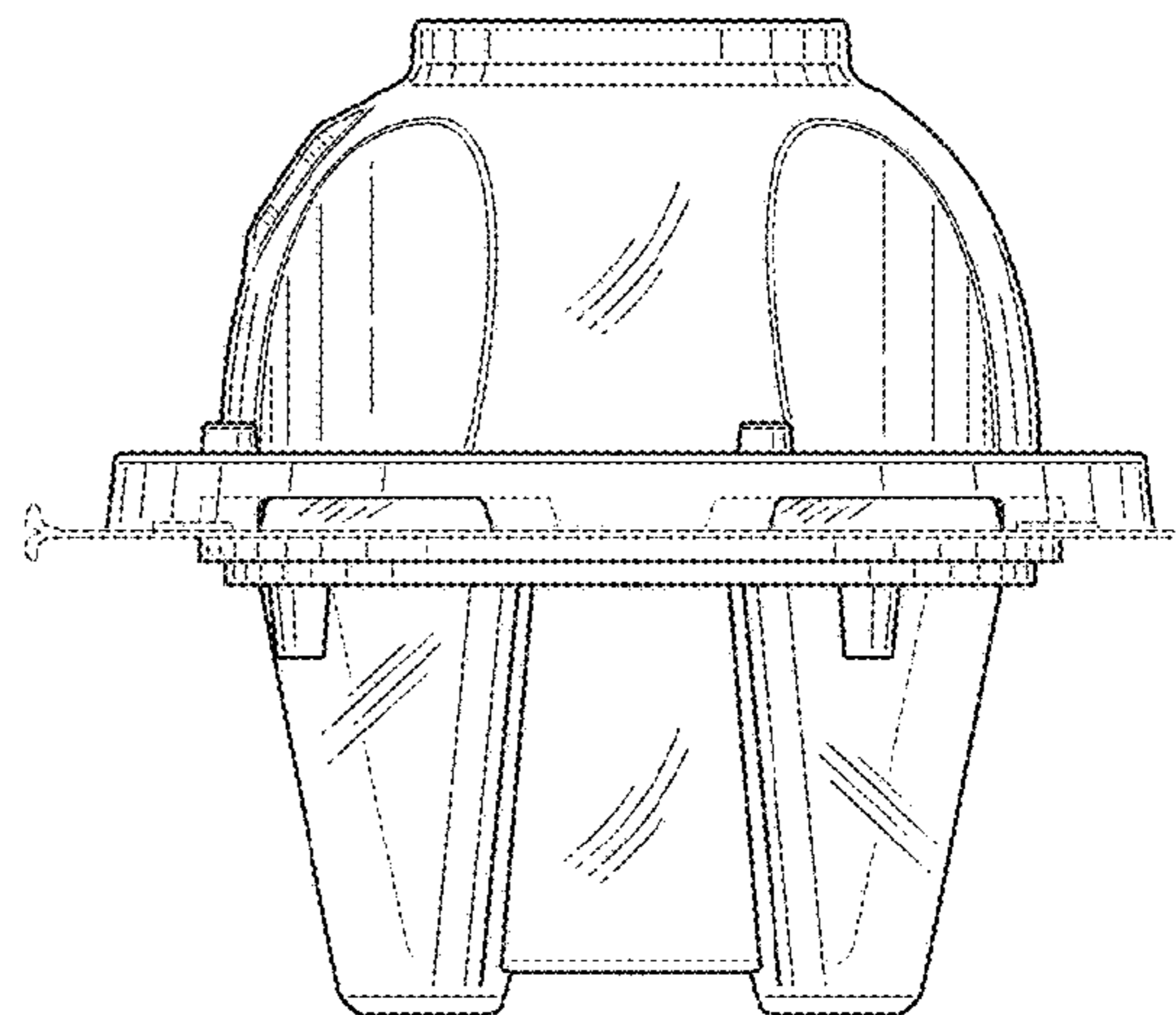
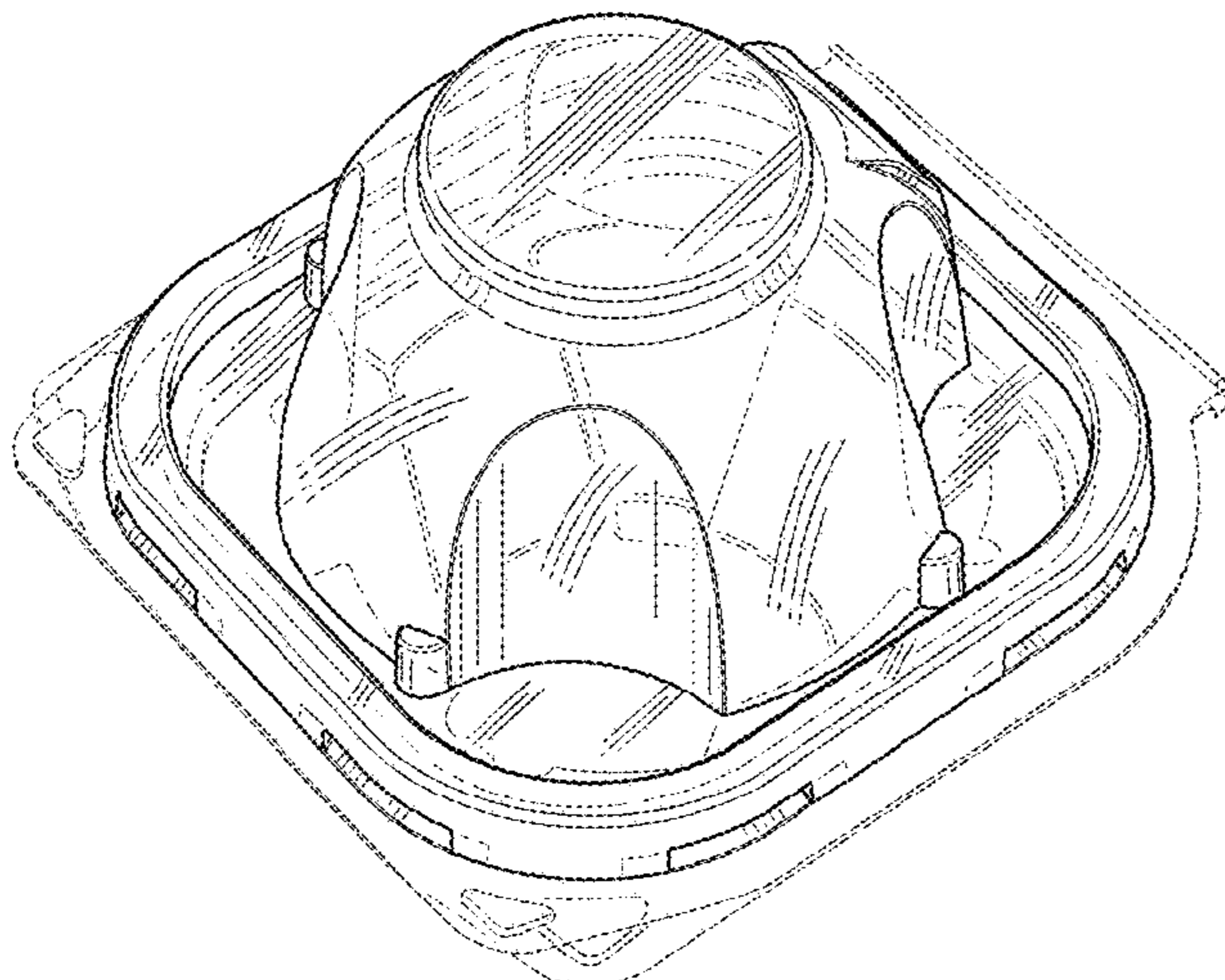
The ornamental design for a single pack container, as shown and described.

DESCRIPTION

FIG. 1 is a front, top, right side perspective view of a single pack container;
FIG. 2 is a back, bottom, left side perspective view of the single pack container of FIG. 1;
FIG. 3 is a left side view of the single pack container of FIG. 1;
FIG. 4 is a front view of the single pack container of FIG. 1;
FIG. 5 is a right side view of the single pack container of FIG. 1;
FIG. 6 is a back view of the single pack container of FIG. 1;
FIG. 7 is a top view of the single pack container of FIG. 1; and,
FIG. 8 is a bottom view of the single pack container of FIG. 1.

The broken lines shown in the drawings depicting the flange and hinge are portions of the single pack container that form no part of the claimed design.

1 Claim, 4 Drawing Sheets



(56)

References Cited

U.S. PATENT DOCUMENTS

D637,482 S * 5/2011 Snedden et al. D9/425
D643,309 S * 8/2011 Birchmeier et al. D9/759
D666,905 S * 9/2012 Ramirez et al. D9/424
D672,231 S * 12/2012 Snedden et al. D9/424
D690,194 S * 9/2013 Snedden et al. D9/425
8,567,604 B2 * 10/2013 Overgaard 206/509
D692,751 S * 11/2013 Mastronardi D9/427
D695,109 S * 12/2013 Liu D9/427
D697,796 S * 1/2014 Ambelang et al. D9/427
D701,116 S * 3/2014 Ambelang et al. D9/427
2004/0251162 A1 12/2004 McGinnis et al.
2005/0284307 A1 12/2005 Vovan
2009/0242569 A1 10/2009 Solmon
2010/0059580 A1 3/2010 Voigt
2012/0168449 A1 * 7/2012 Barbier 220/669
2013/0004625 A1 1/2013 Brummer et al.

* cited by examiner

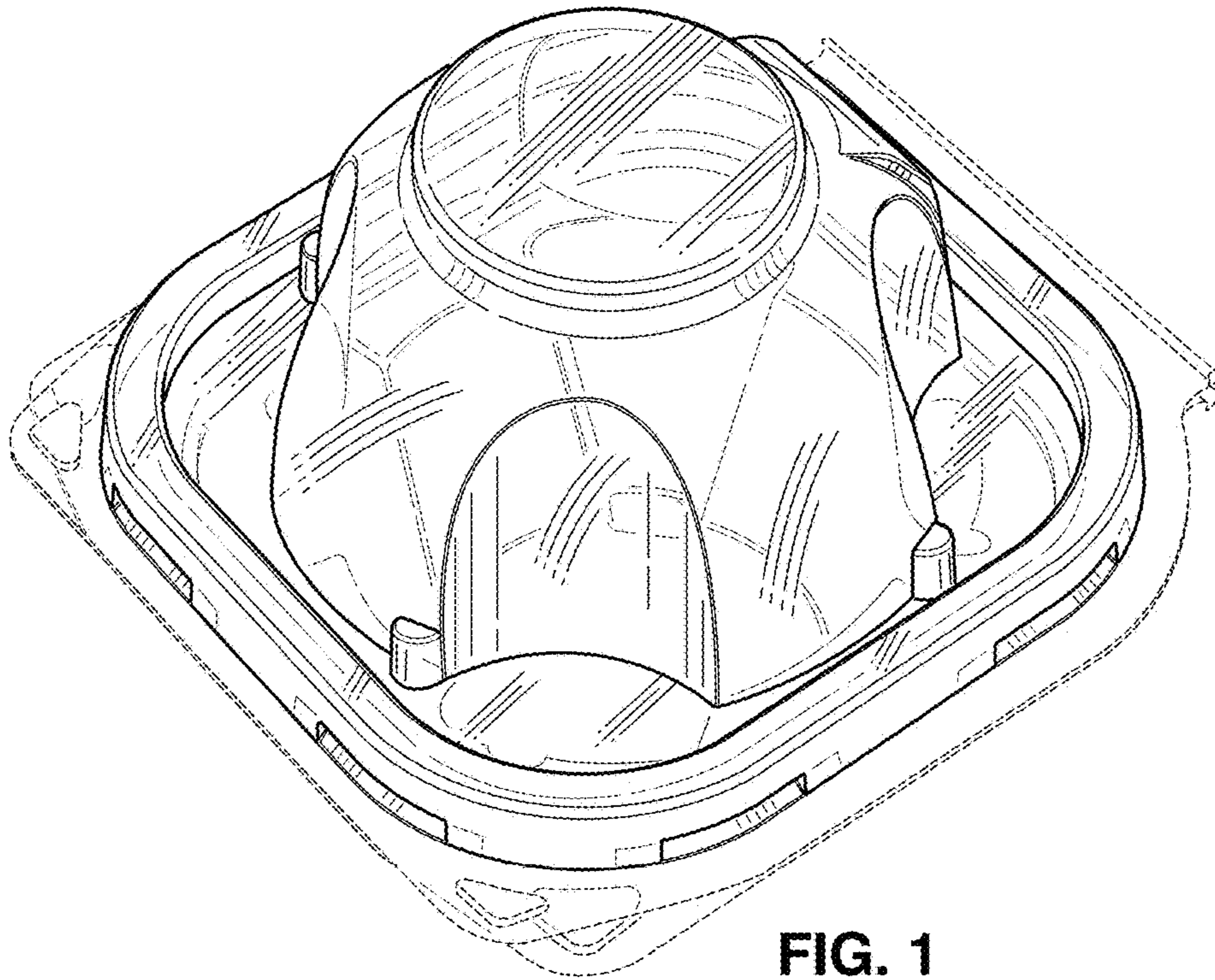


FIG. 1

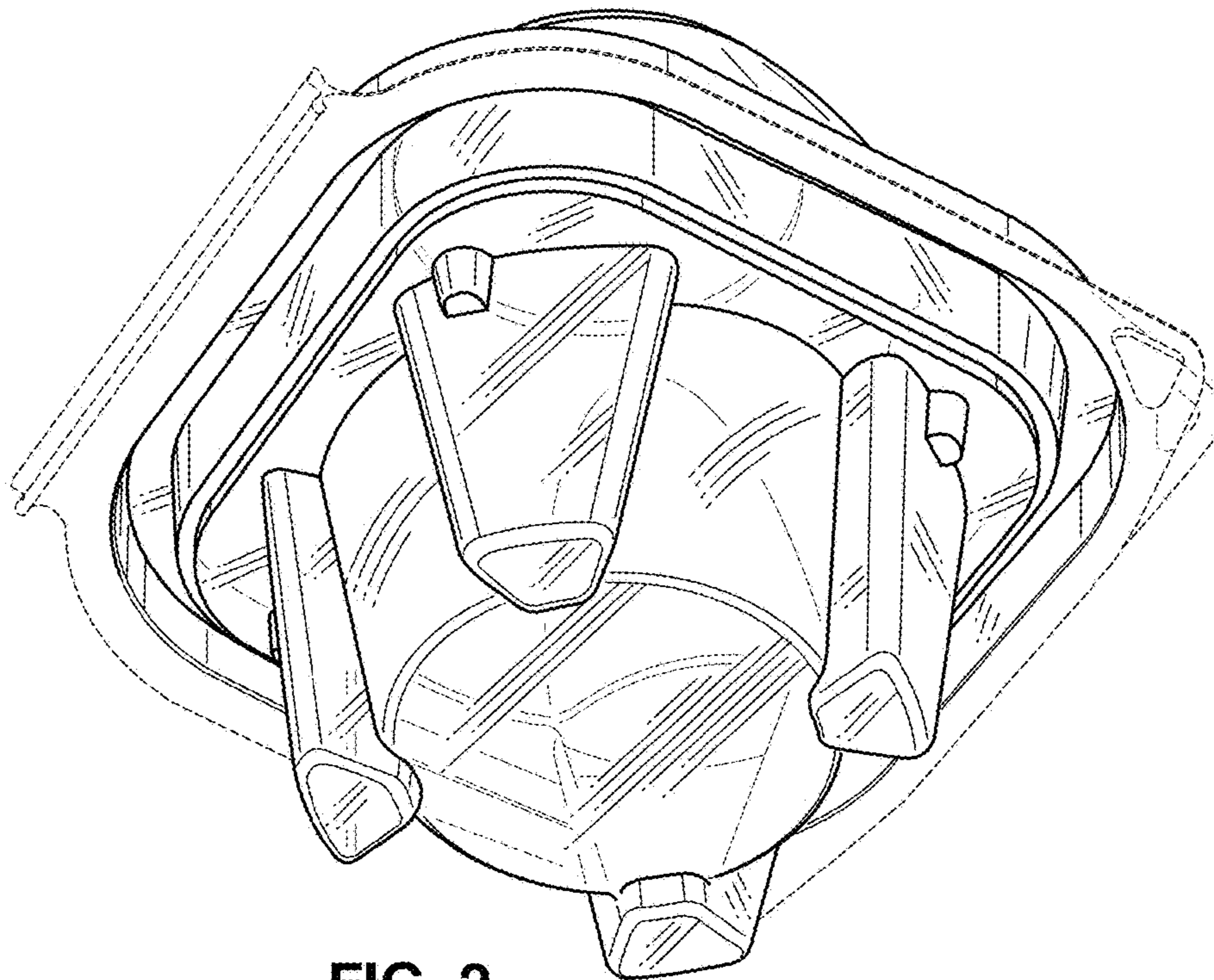


FIG. 2

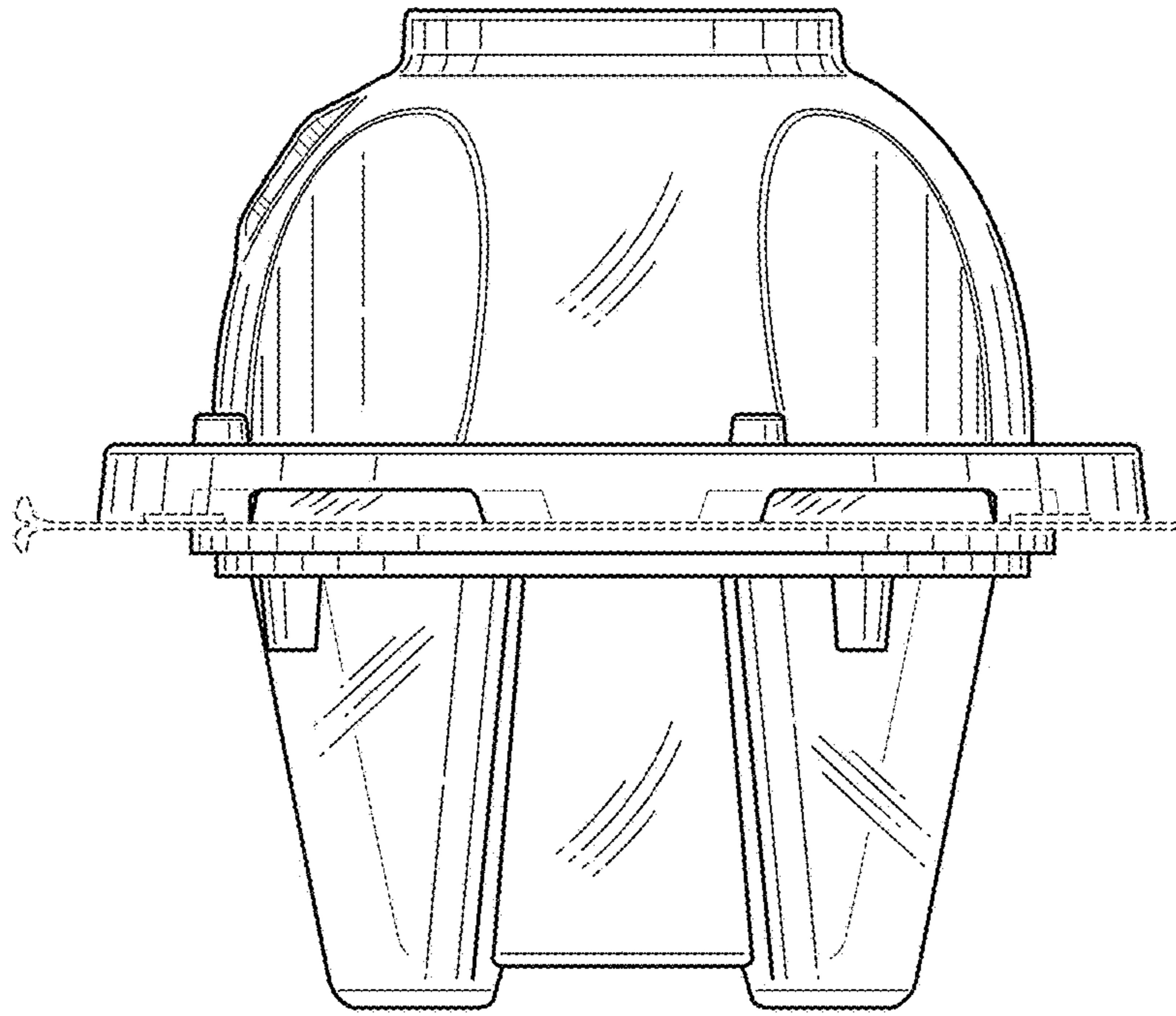


FIG. 3

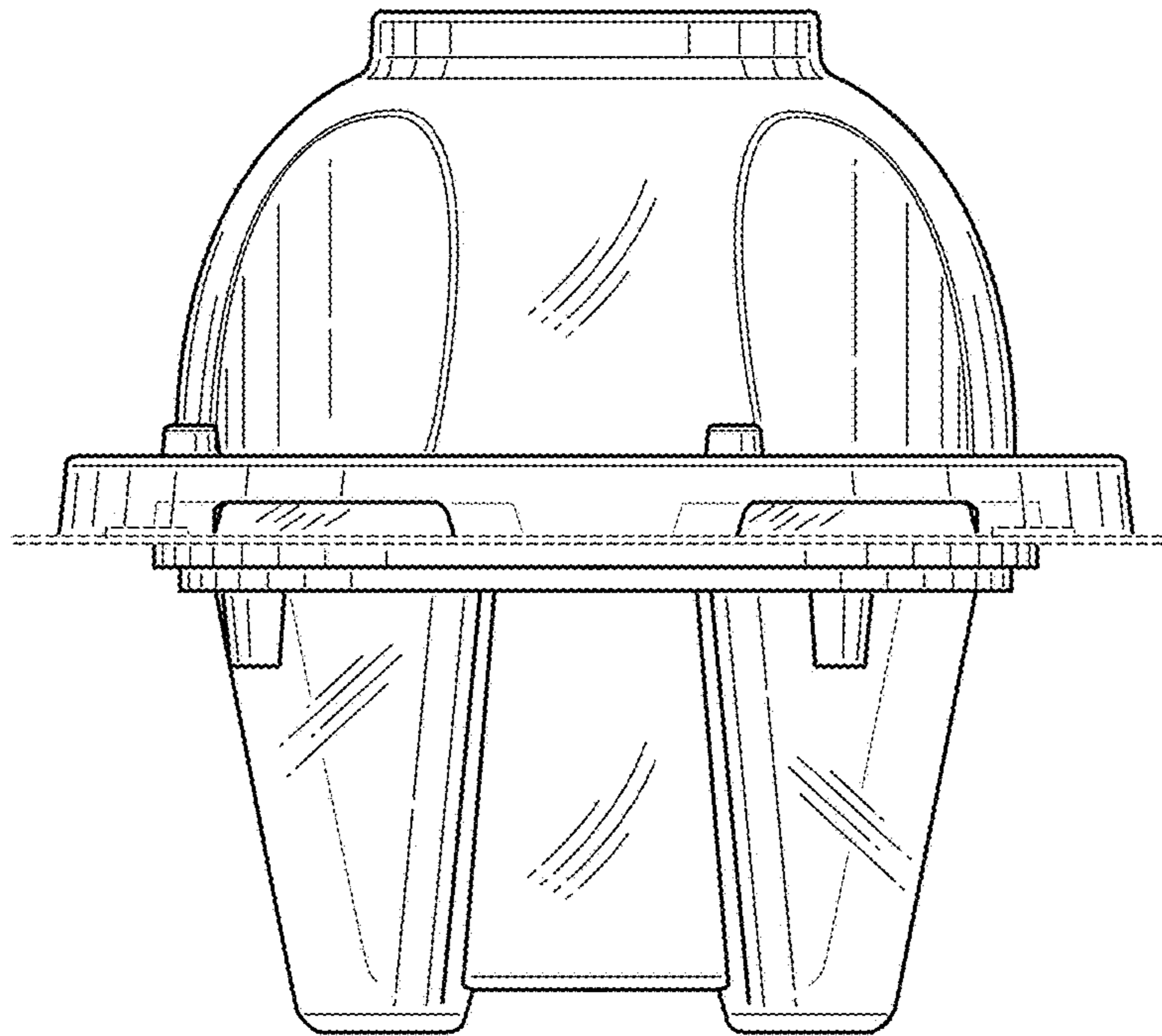


FIG. 4

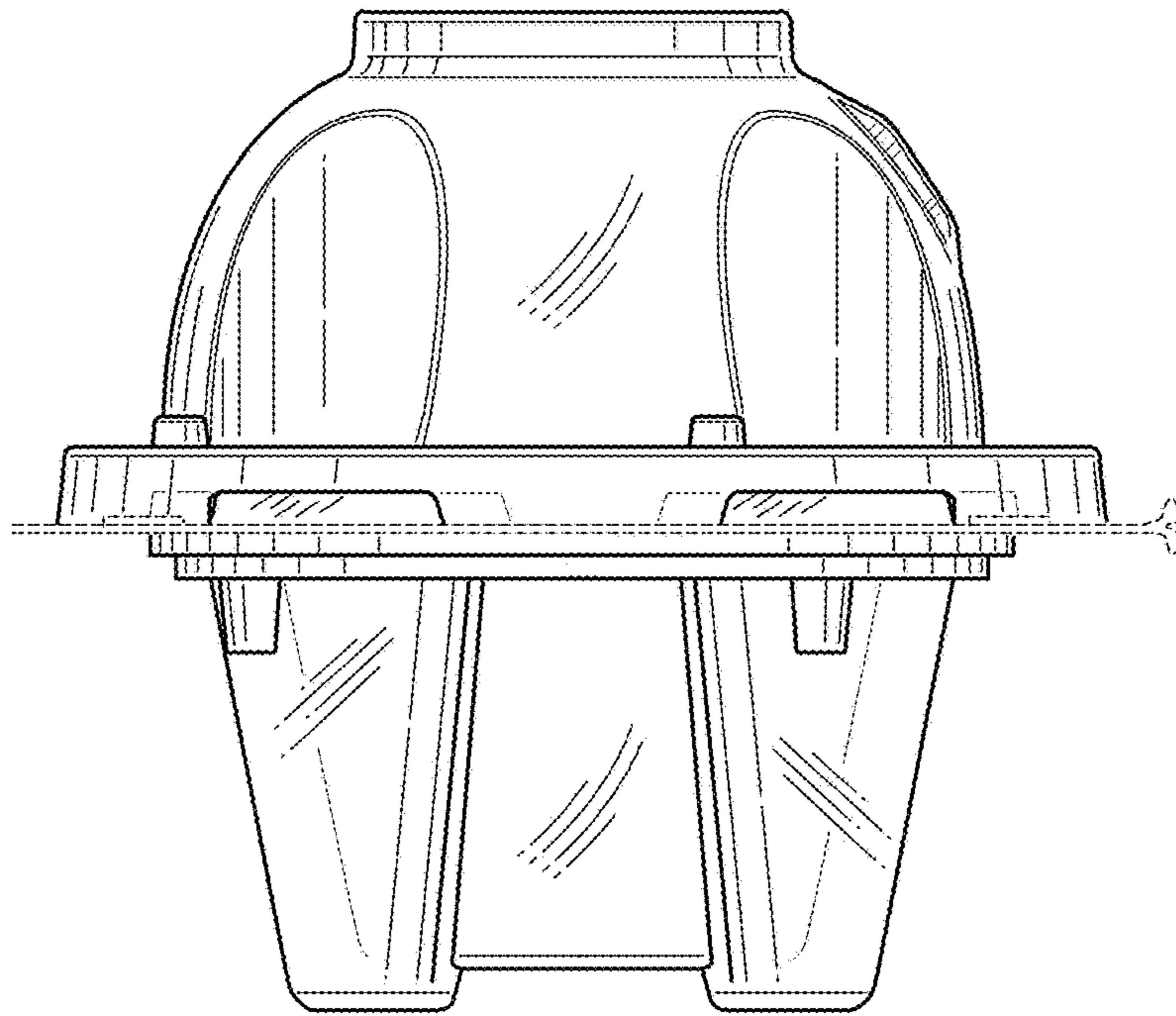


FIG. 5

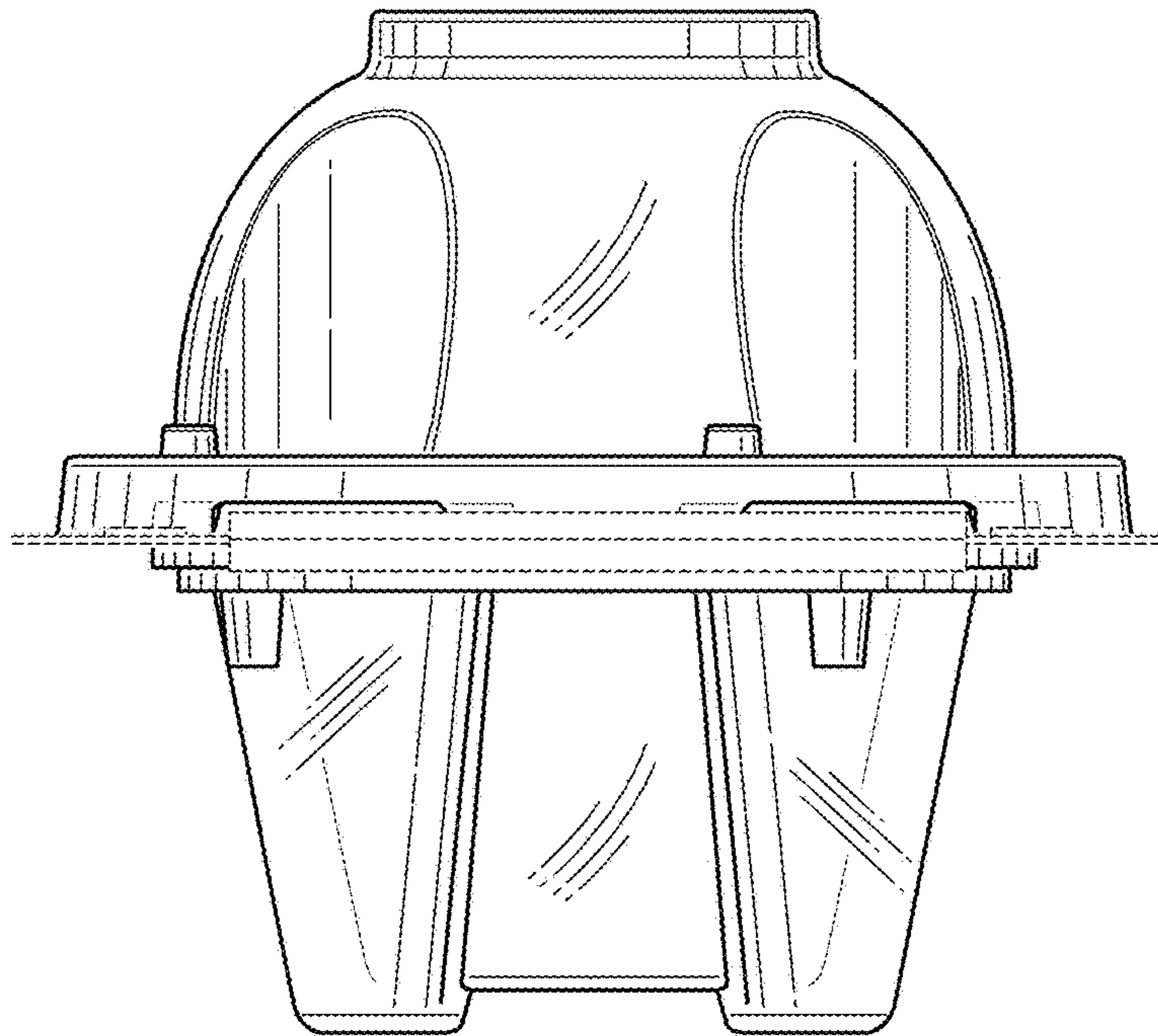


FIG. 6

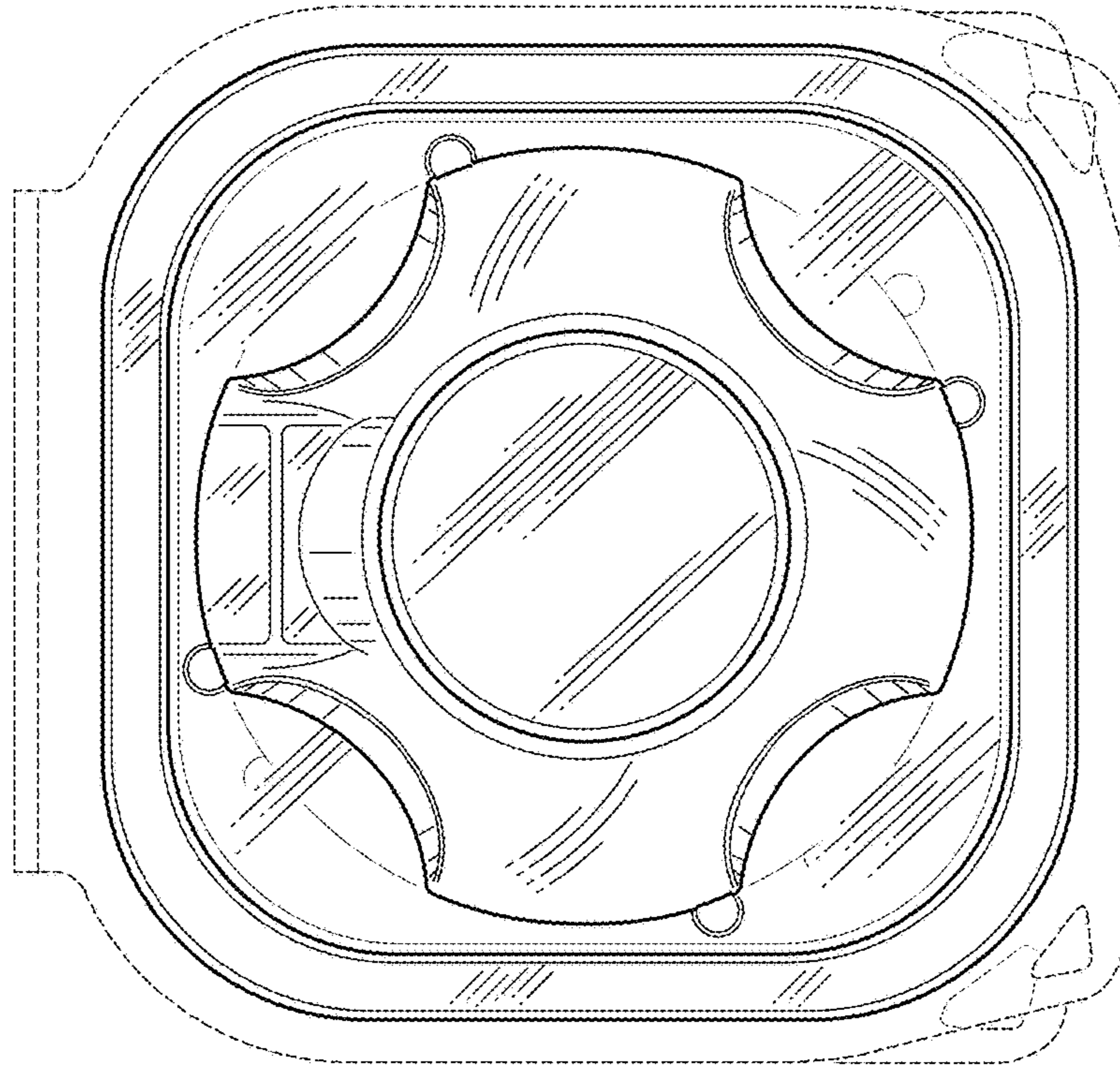


FIG. 7

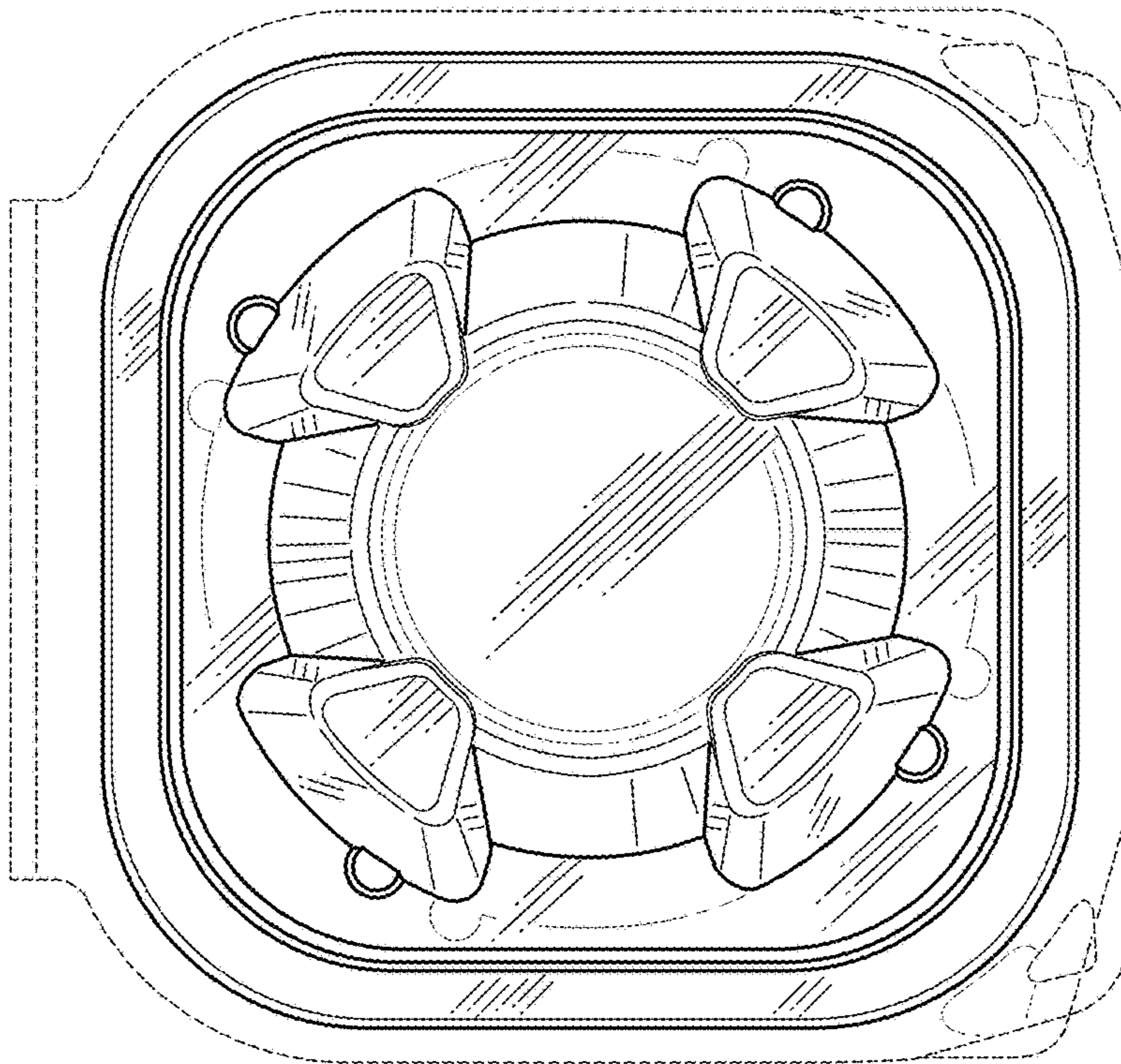


FIG. 8