



US00D779933S

(12) **United States Design Patent**
Hendricks et al.

(10) **Patent No.:** **US D779,933 S**

(45) **Date of Patent:** **** Feb. 28, 2017**

(54) **CONTAINER**

(71) Applicant: **The Hershey Company**, Hershey, PA (US)

(72) Inventors: **William J. Hendricks**, Elizabethtown, PA (US); **Eric P. Lawrence**, Hershey, PA (US); **Jonathon K. Markey**, Greensboro, NC (US); **Michael J. Van Driest**, Asheboro, NC (US)

(73) Assignee: **The Hershey Company**, Hershey, PA (US)

(**) Term: **15 Years**

(21) Appl. No.: **29/550,217**

(22) Filed: **Dec. 31, 2015**

Related U.S. Application Data

(63) Continuation of application No. 29/511,191, filed on Dec. 8, 2014.

(51) **LOC (10) Cl.** **09-03**

(52) **U.S. Cl.**
USPC **D9/424; D9/434**

(58) **Field of Classification Search**
USPC D9/414-418, 420-427, 430-434, 456;
D3/272, 273, 276, 281, 282, 302,
D3/304-309, 315; D7/601, 602
CPC B65D 5/00-5/02; B65D 5/0209-5/0272;
B65D 5/029; B65D 5/40; B65D
5/72; B65D 5/727; B65D
31/10-31/18; B65D 35/04; B65D 35/56
See application file for complete search history.

(56) **References Cited**

U.S. PATENT DOCUMENTS

D229,894 S * 1/1974 Reifers D9/425
D247,025 S * 1/1978 Cherry D3/312

D342,364 S * 12/1993 Hobson D3/313
D446,718 S * 8/2001 Anderson D9/422
6,341,710 B1 * 1/2002 Danielson B65D 83/04
206/37
D464,884 S * 10/2002 Sumpmann D9/432

(Continued)

Primary Examiner — Vy Koenig

(74) *Attorney, Agent, or Firm* — Design IP

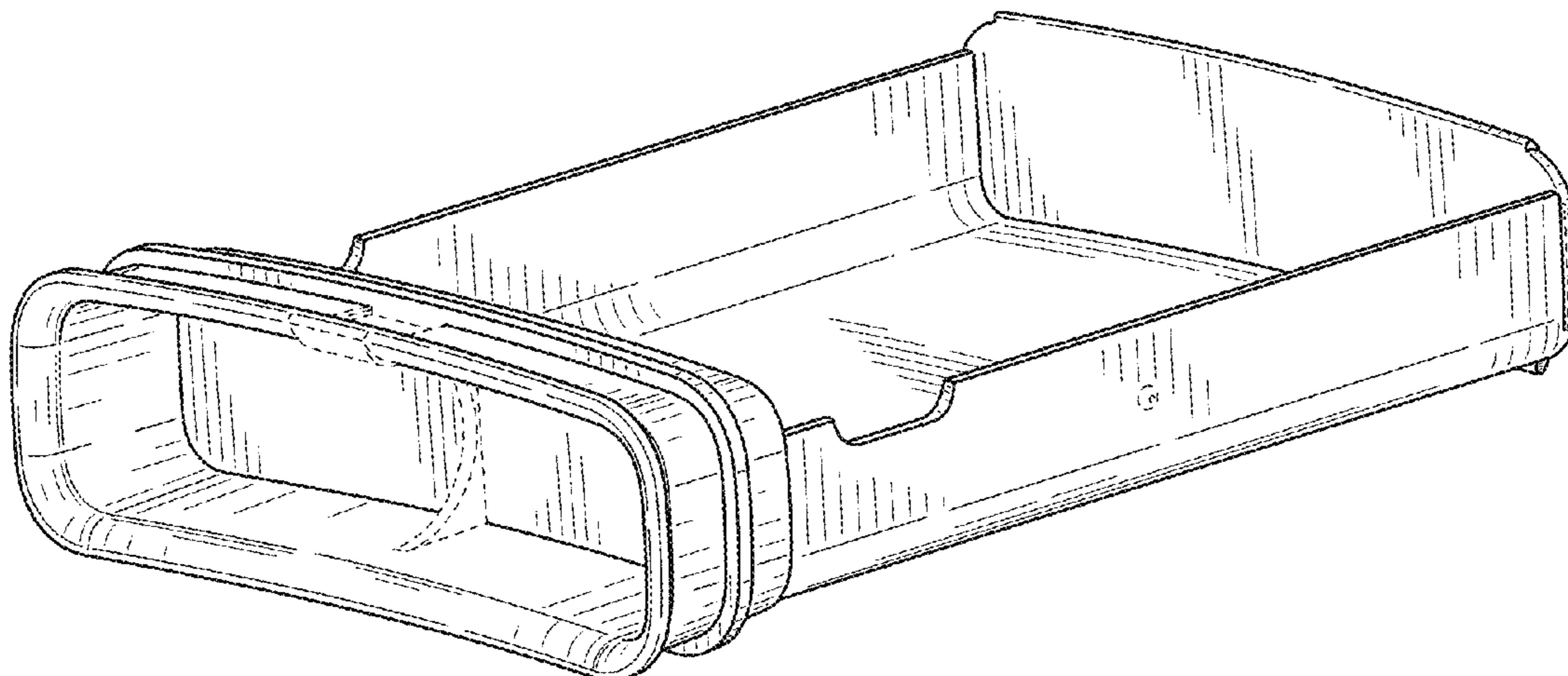
(57) **CLAIM**

The ornamental design for a container, as shown and described.

DESCRIPTION

FIG. 1 is a front perspective view of a first embodiment of a container showing our new design; FIG. 2 is a front orthographic view thereof; FIG. 3 is a rear orthographic view thereof; FIG. 4 is a left side orthographic view thereof; FIG. 5 is a right side orthographic view thereof; FIG. 6 is a top orthographic view thereof; FIG. 7 is a bottom orthographic view thereof; FIG. 8 is a front perspective view of a second embodiment of a container showing our new design; FIG. 9 is a front orthographic view thereof; FIG. 10 is a rear orthographic view thereof; FIG. 11 is a left side orthographic view thereof; FIG. 12 is a right side orthographic view thereof; FIG. 13 is a top orthographic view thereof; and, FIG. 14 is a bottom orthographic view thereof. The broken line showing of elements of the container in FIGS. 1-14 represents environmental subject matter only and forms no part of the claimed design. The oblique line shading shown in FIGS. 8-14 represents a translucent material.

1 Claim, 6 Drawing Sheets



(56)

References Cited

U.S. PATENT DOCUMENTS

D465,729	S	*	11/2002	Nishimura	D9/422
D478,280	S	*	8/2003	Miller	D9/420
D534,069	S	*	12/2006	Ohno	D3/298
D559,042	S	*	1/2008	de Groote	D7/602
D571,197	S	*	6/2008	Sanfilippo	D9/420
7,648,024	B2	*	1/2010	Mitten	A24F 23/00 206/236
D625,178	S	*	10/2010	Bailey	D9/422
D636,257	S	*	4/2011	Bougoulas	D9/420
9,386,865	B2	*	7/2016	Bally	A47F 3/14

* cited by examiner

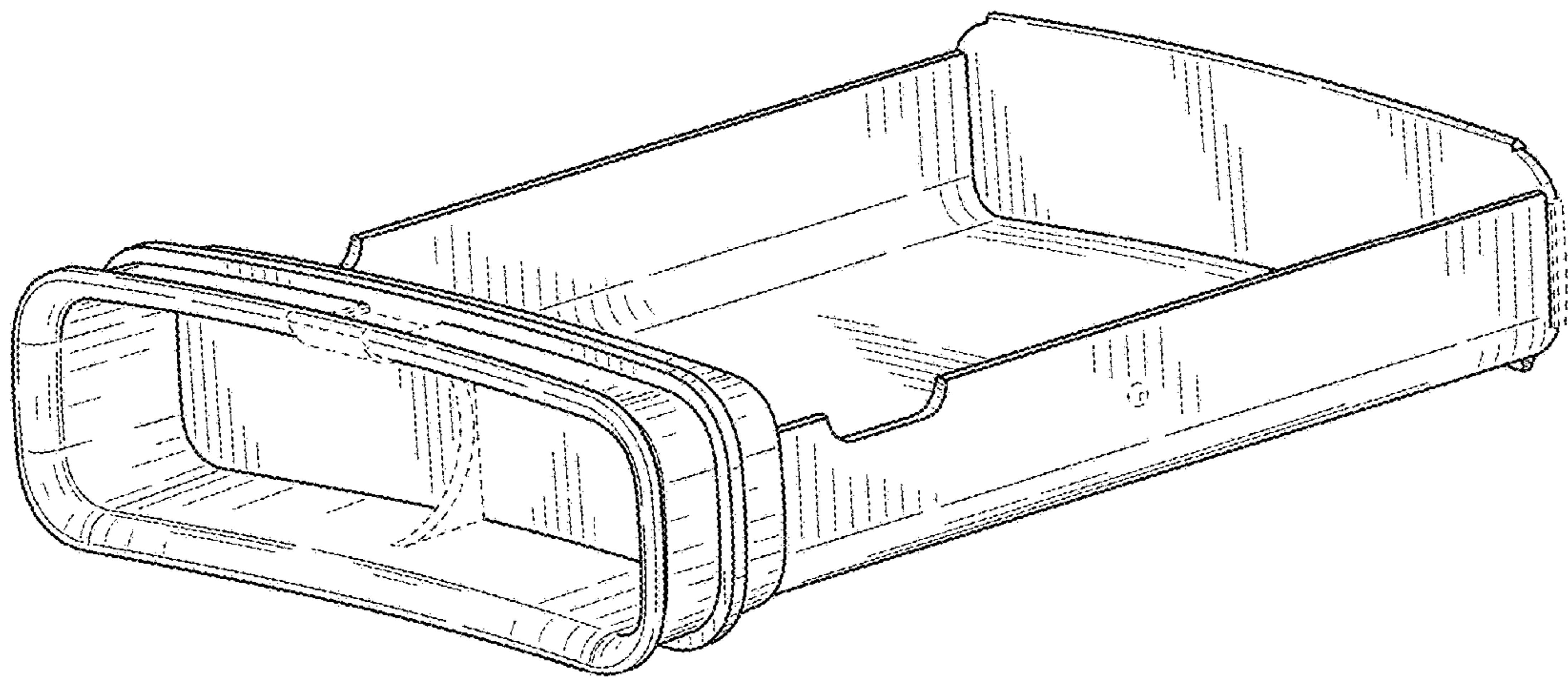


FIG. 1

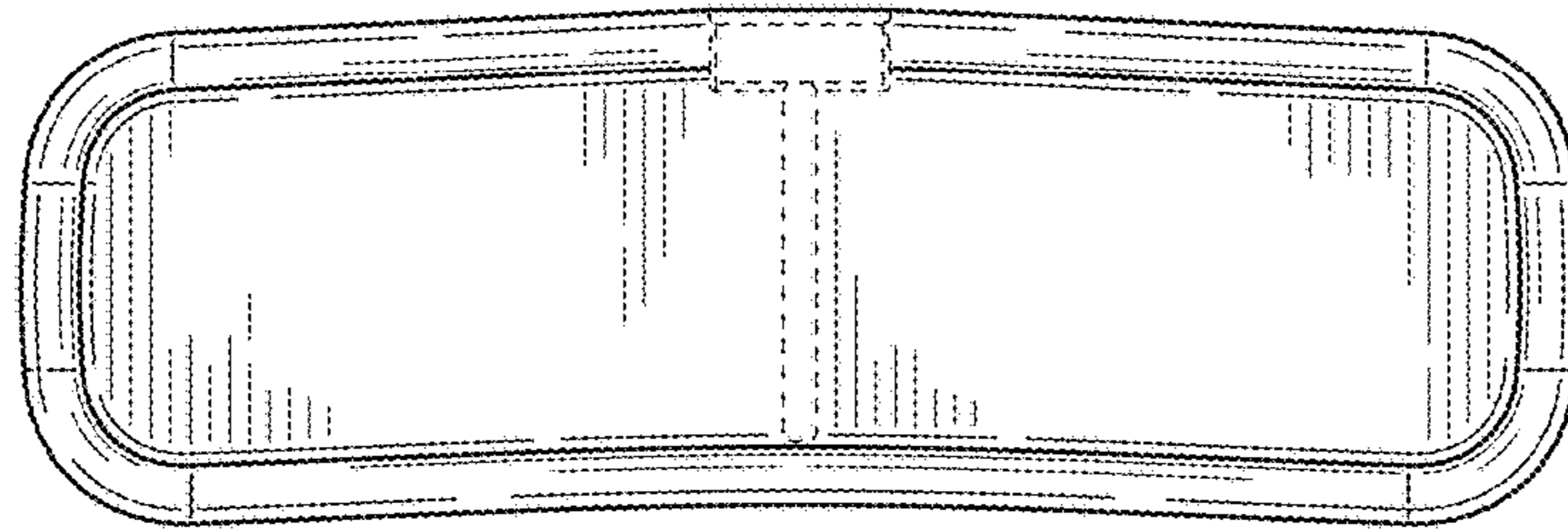


FIG. 2



FIG. 3

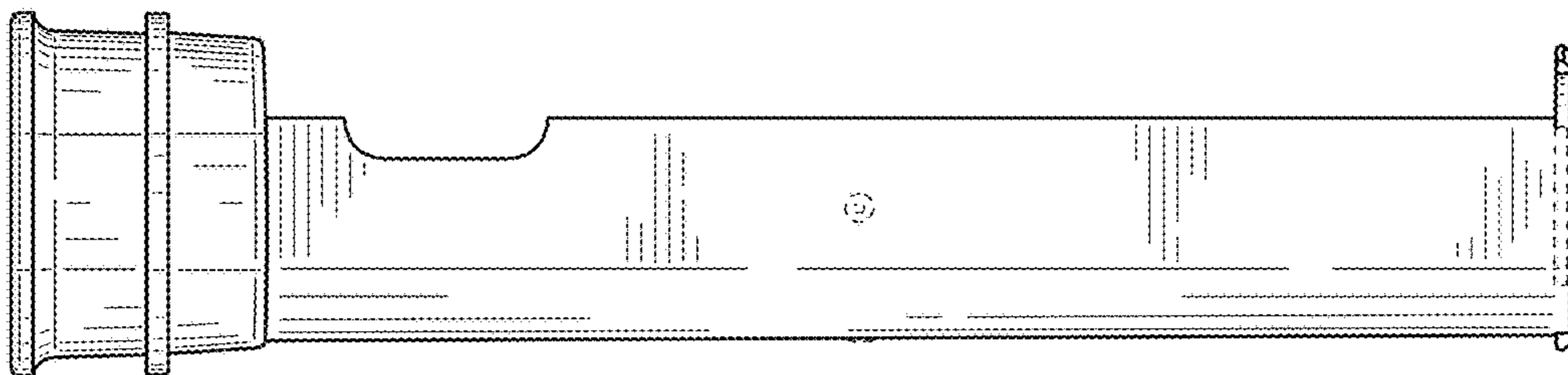


FIG. 4

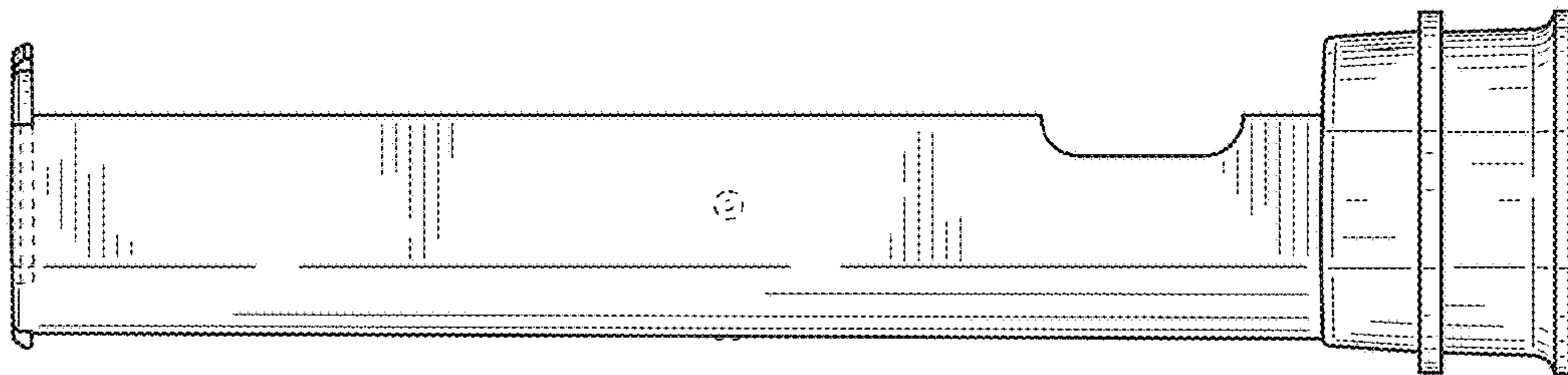


FIG. 5

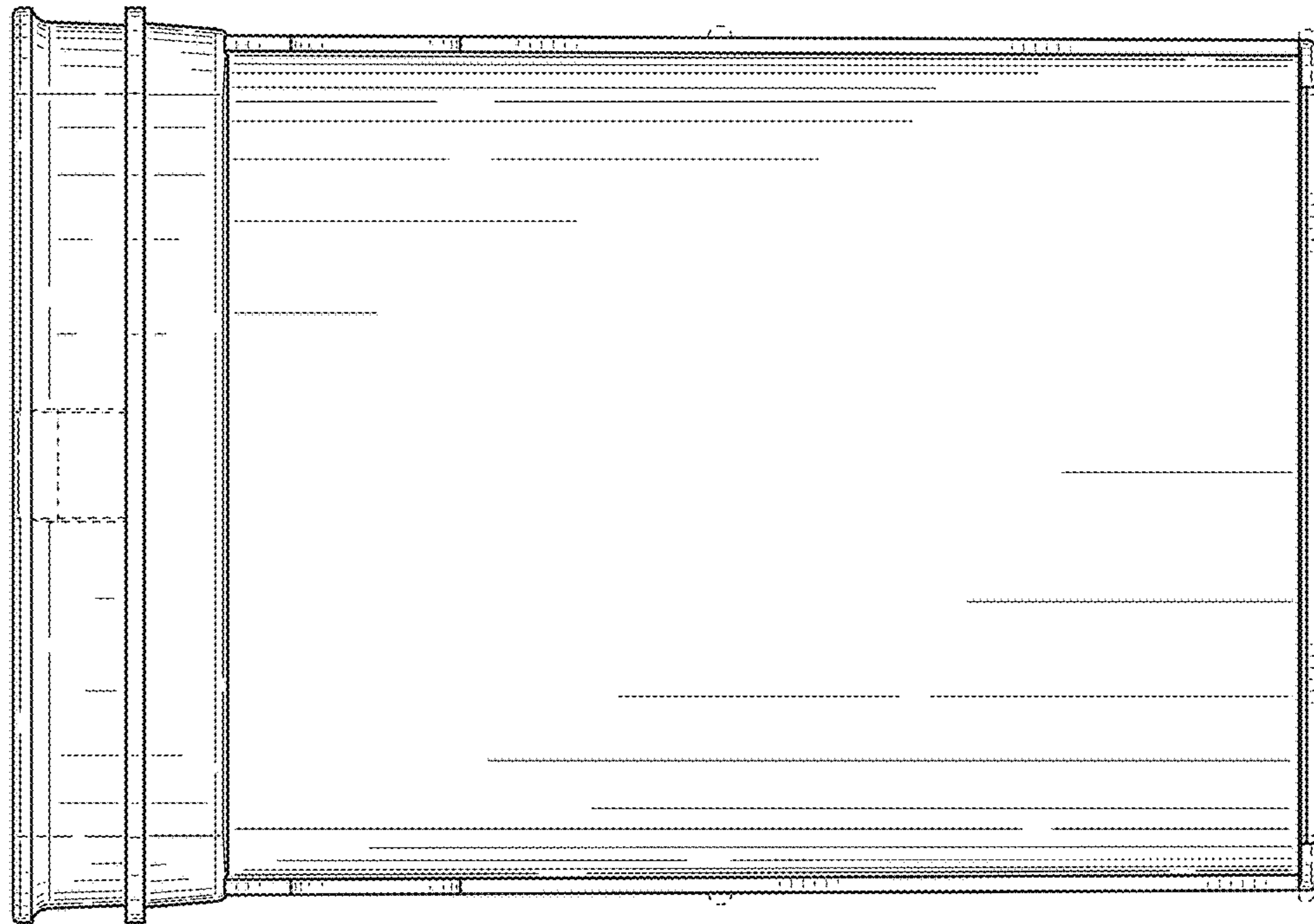


FIG. 6

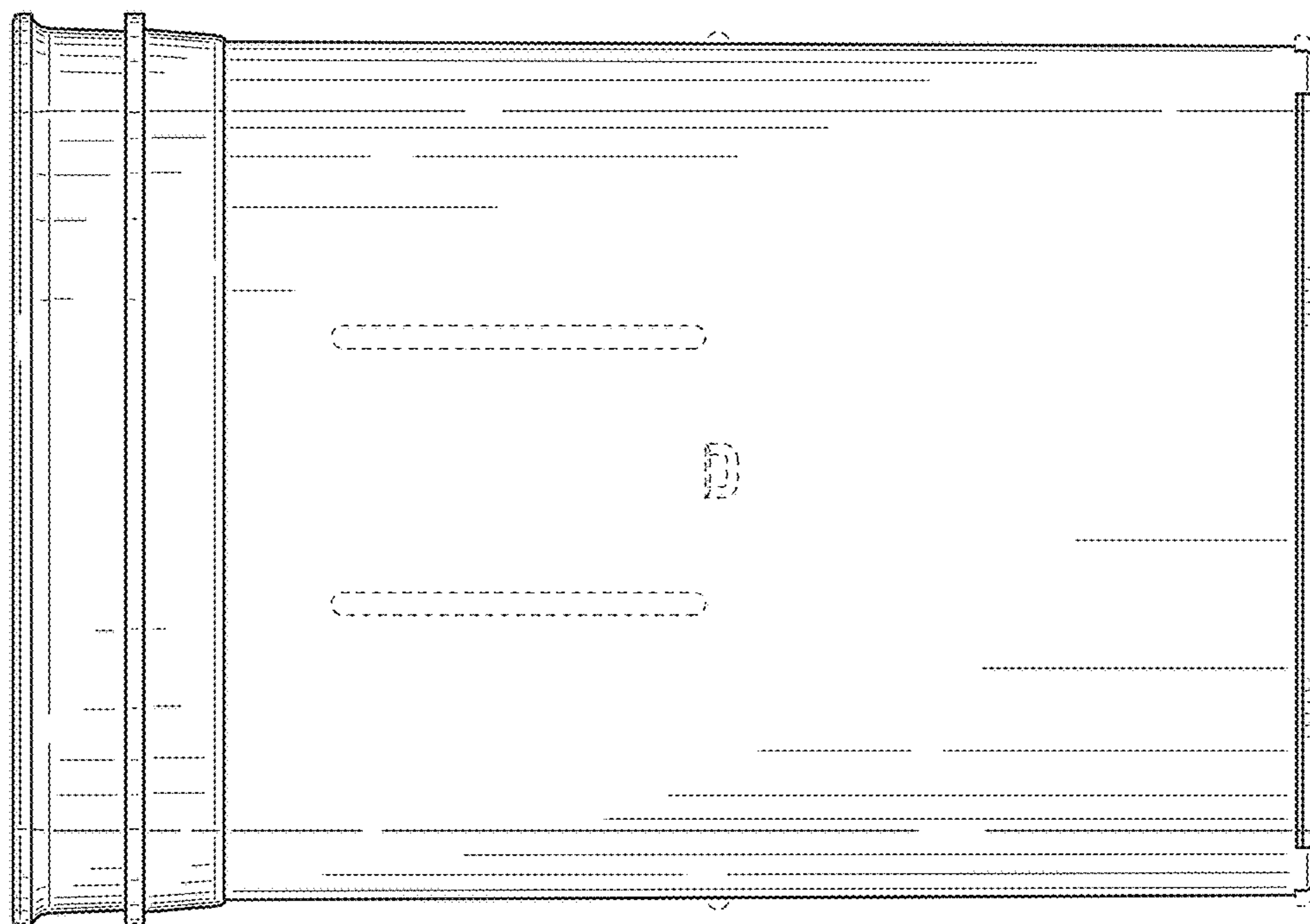


FIG. 7

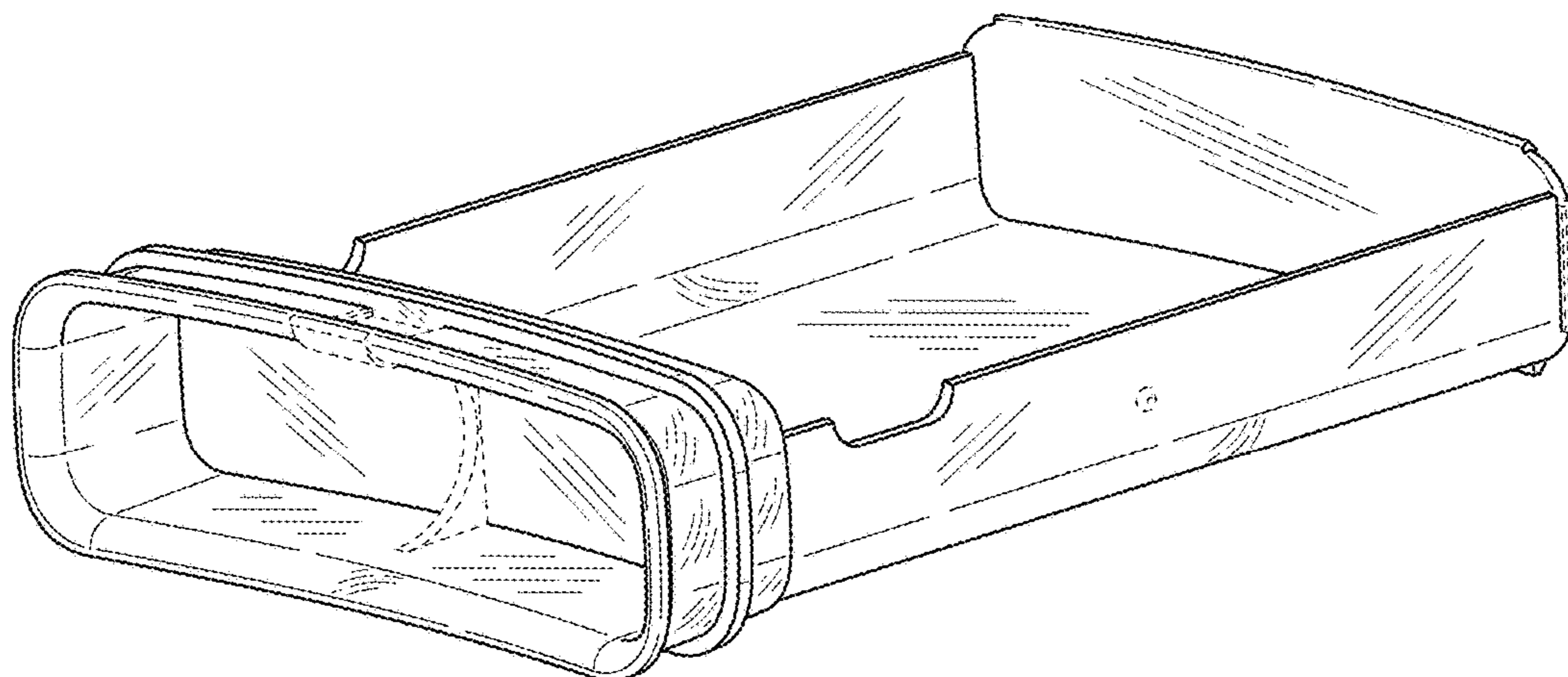


FIG. 8

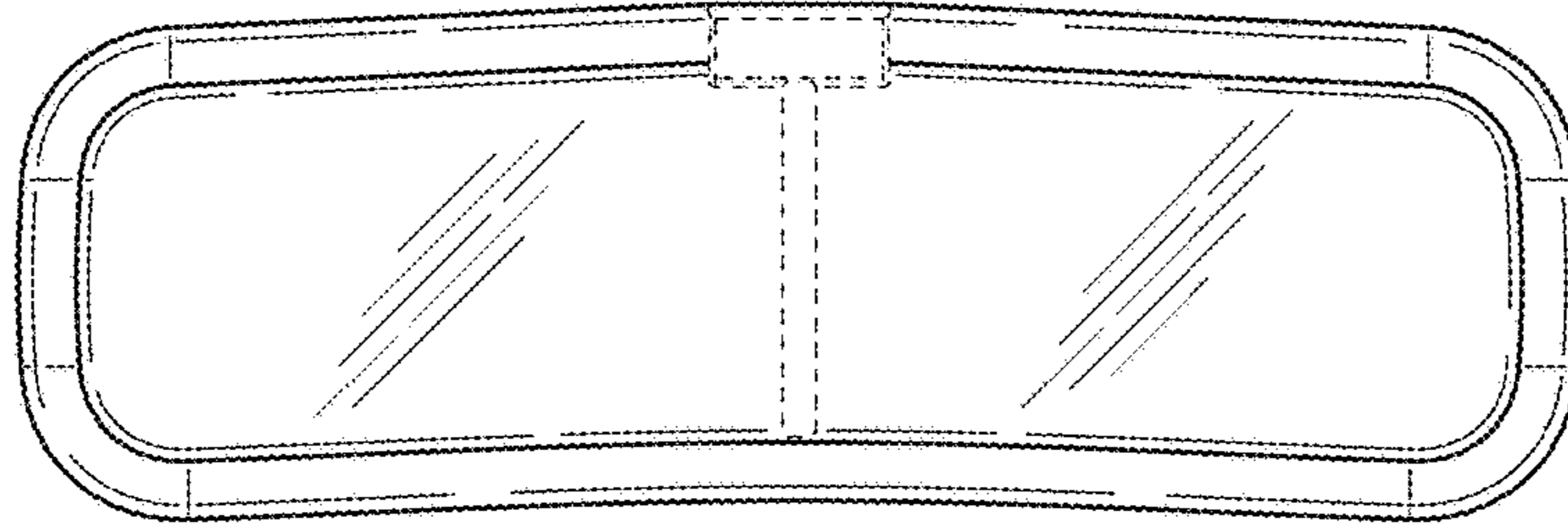


FIG. 9

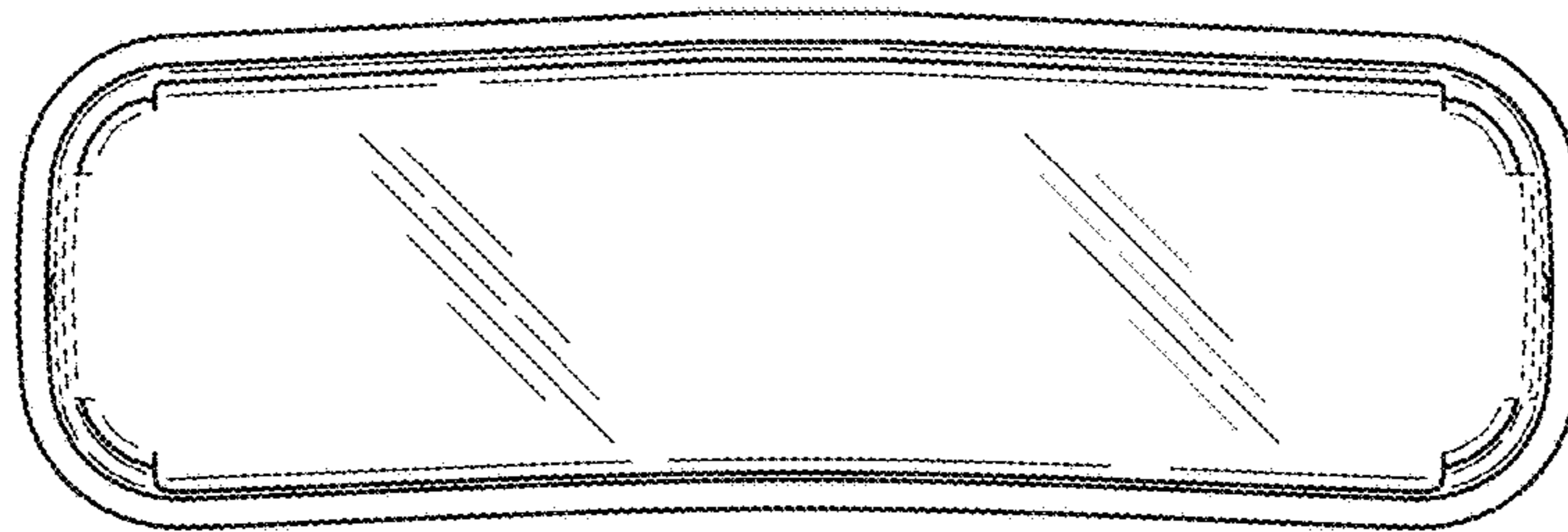


FIG. 10

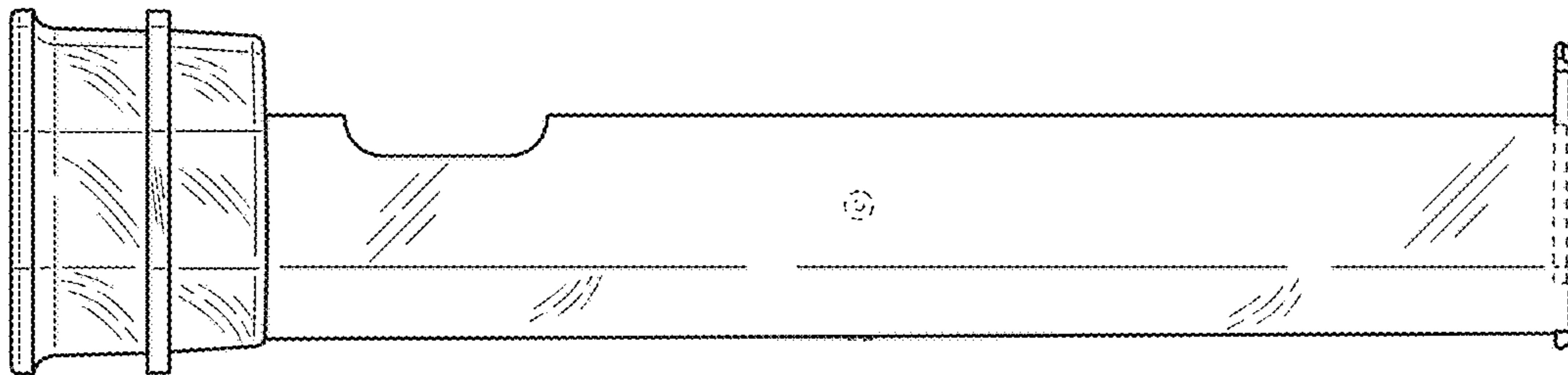


FIG. 11

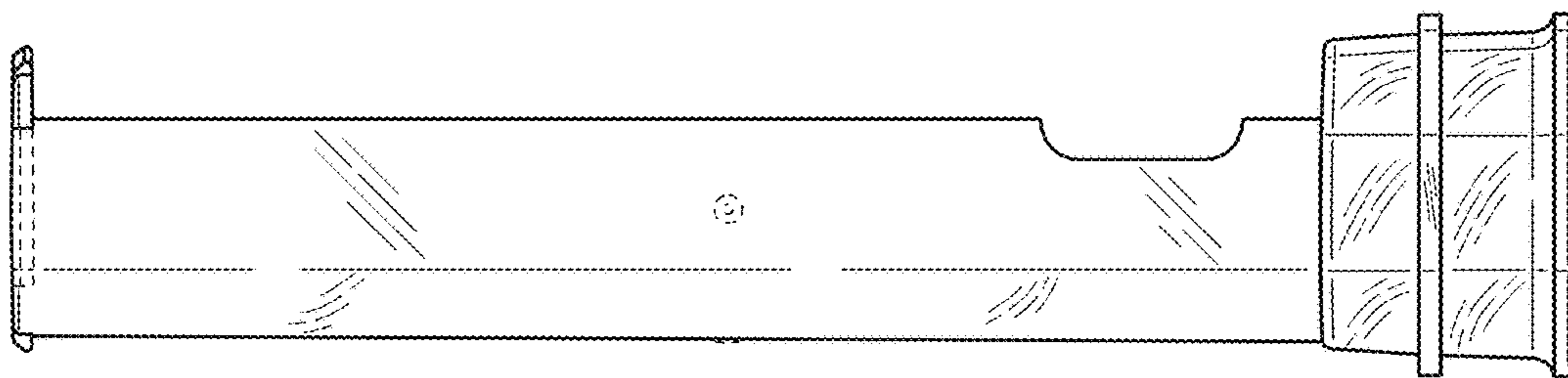


FIG. 12

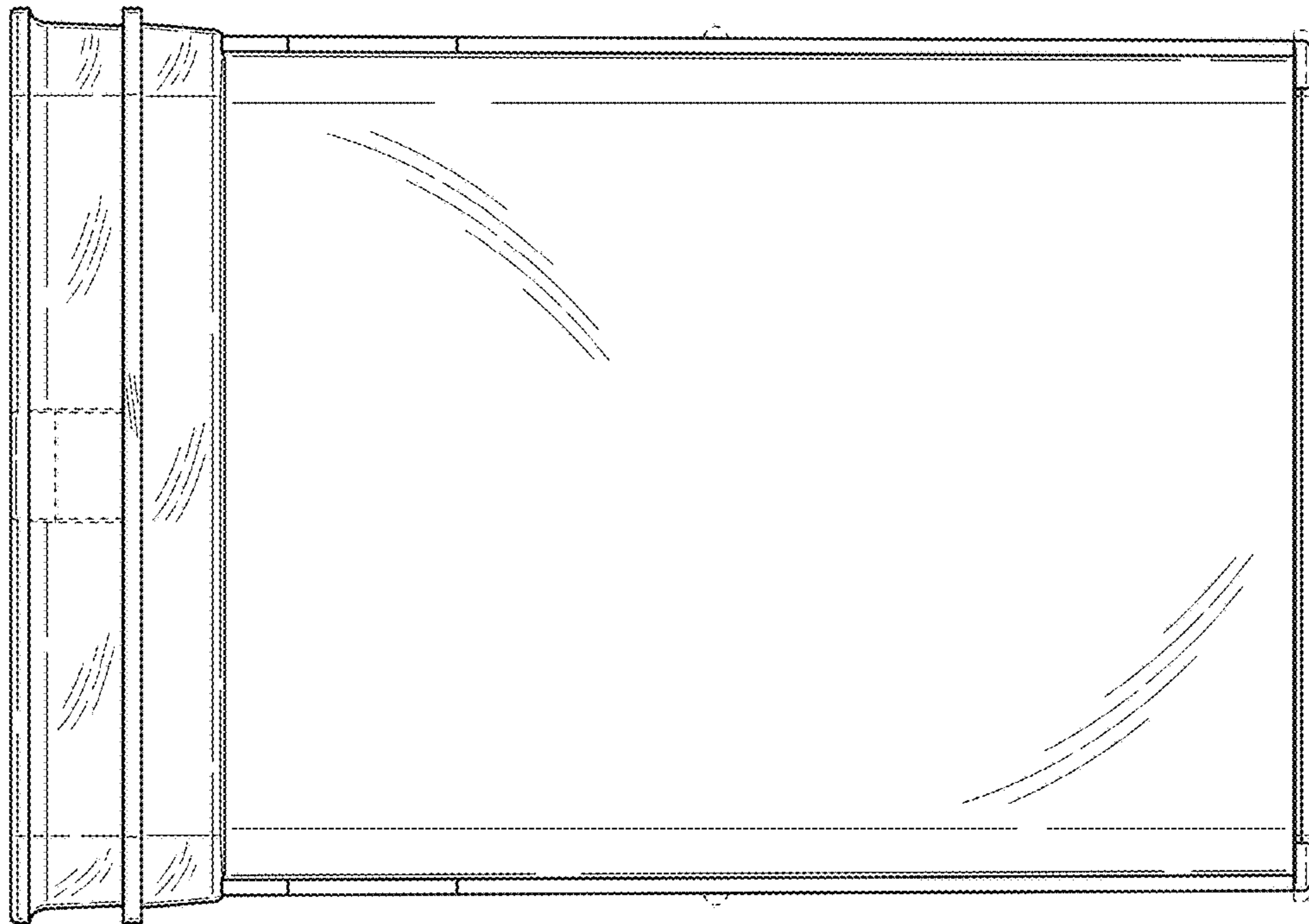


FIG. 13

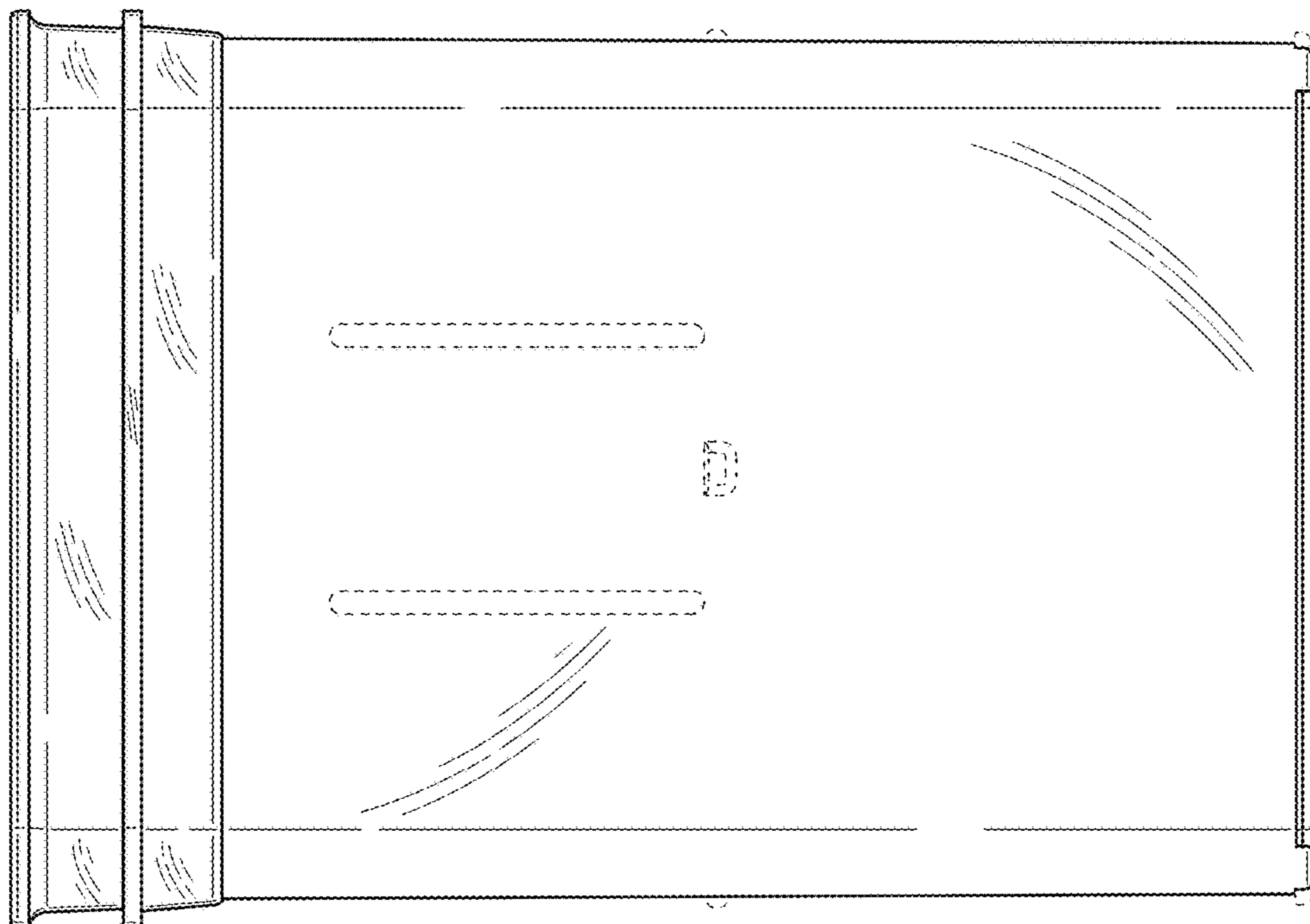


FIG. 14