



US00D779931S

(12) **United States Design Patent**  
**Mondragón et al.**

(10) **Patent No.:** **US D779,931 S**

(45) **Date of Patent:** **\*\* Feb. 28, 2017**

- (54) **HANGER**
- (71) Applicants: **Diner Mondragón**, Dalton, GA (US);  
**Erik Edward Anderson**, Cleveland, TN (US)
- (72) Inventors: **Diner Mondragón**, Dalton, GA (US);  
**Erik Edward Anderson**, Cleveland, TN (US)
- (\*\*) Term: **15 Years**
- (21) Appl. No.: **29/560,241**
- (22) Filed: **Apr. 4, 2016**
- (51) **LOC (10) Cl.** ..... **09-03**
- (52) **U.S. Cl.**  
USPC ..... **D9/415**
- (58) **Field of Classification Search**  
USPC ..... D9/415, 414; D6/680.2, 315, 627, 513,  
D6/327, 326; D11/125; 223/88, 91;  
383/15; 206/292, 335, 278, 284; 211/113  
CPC ..... B60N 3/048; A47G 25/26; A47G 25/743;  
A47G 25/485; B65D 33/14; B65D 85/18;  
B65D 33/1683; A47F 5/0006; G09F 5/00  
See application file for complete search history.

- 3,987,958 A \* 10/1976 Kamins ..... B65D 33/1683  
383/15
- 4,011,946 A \* 3/1977 Savage ..... G09F 5/00  
206/284
- D272,494 S \* 2/1984 Mahowald ..... D6/513
- D287,085 S \* 12/1986 Leeds ..... D6/327
- D305,484 S \* 1/1990 Fildan ..... D6/326
- 5,297,706 A \* 3/1994 Blitz ..... A47G 25/485  
223/91
- D541,189 S \* 4/2007 O'Connell ..... D11/125
- 7,389,885 B2 \* 6/2008 Masanek, Jr. .... A47F 5/0006  
211/113
- D715,635 S \* 10/2014 Brown ..... D9/415
- D735,027 S \* 7/2015 Fildan ..... D9/415
- D737,676 S \* 9/2015 Brown ..... D9/415
- D747,126 S \* 1/2016 Letinic ..... D6/680.2
- D757,454 S \* 5/2016 Alesi ..... D6/315

(Continued)

*Primary Examiner* — Rhea Shields

(74) *Attorney, Agent, or Firm* — Frank Marino

(57) **CLAIM**

The ornamental design for a hanger, as shown and described.

**DESCRIPTION**

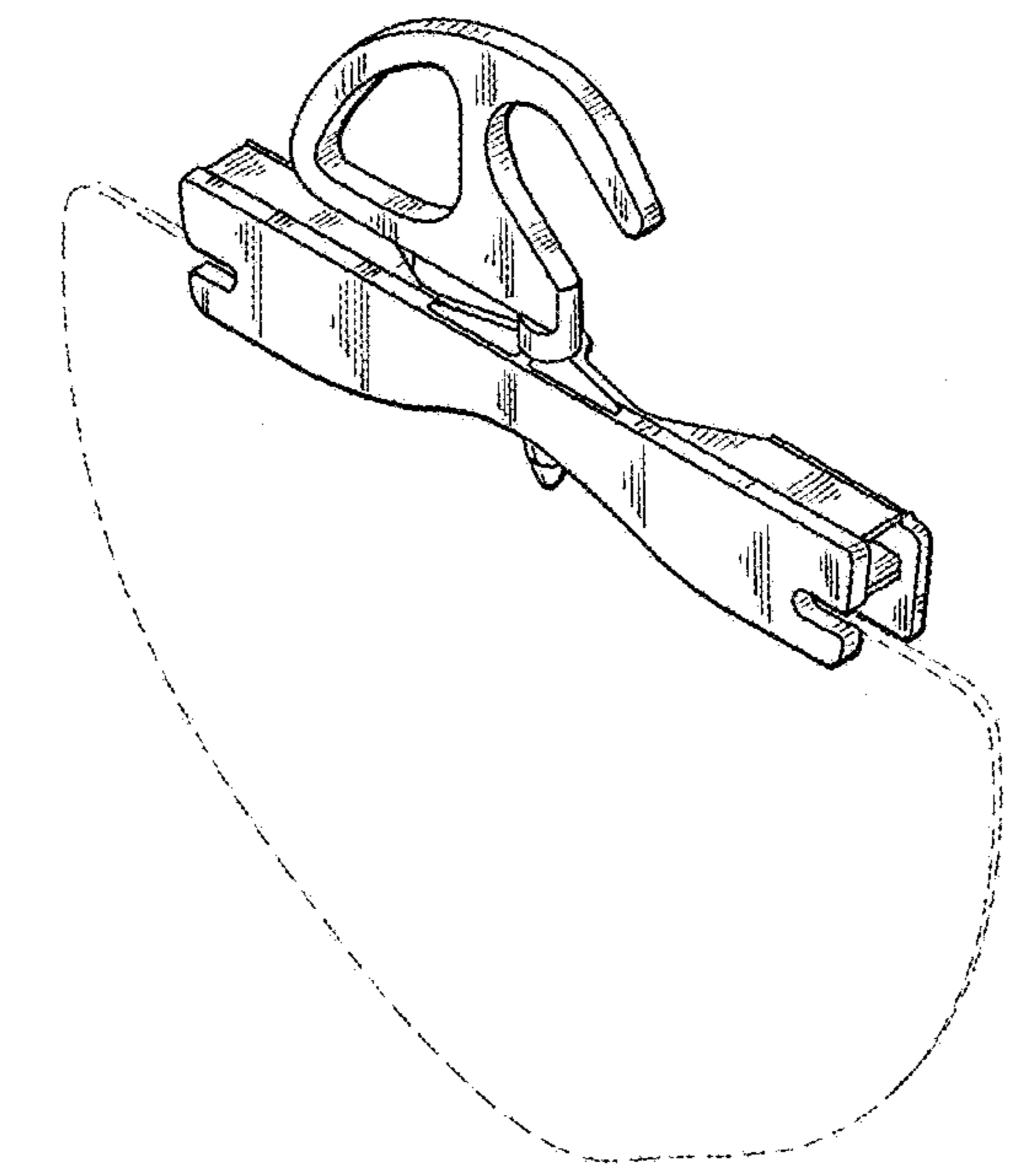
FIG. 1 is an upper-left perspective view of the hanger according to our new design;  
 FIG. 2 is a front view of the hanger of FIG. 1;  
 FIG. 3 is a left side view of the hanger of FIG. 1;  
 FIG. 4 is a rear view of the hanger of FIG. 1;  
 FIG. 5 is a right side view of the hanger of FIG. 1;  
 FIG. 6 is a top view of the hanger of FIG. 1; and,  
 FIG. 7 is a bottom view of the hanger of FIG. 1.  
 The features shown in broken lines are provided for demonstrating environment only and form no part of the claimed design. The upper hook portion is shown in phantom lines in the left and right side views only to demonstrate its rotatability.

**1 Claim, 5 Drawing Sheets**

(56) **References Cited**

U.S. PATENT DOCUMENTS

- 1,786,923 A \* 12/1930 Scruby ..... A47G 25/26  
223/88
- 2,855,649 A \* 10/1958 Kanter ..... A47G 25/743  
206/292
- D213,237 S \* 1/1969 Bassett ..... D6/315
- 3,841,478 A \* 10/1974 Wells ..... B65D 33/14  
206/335
- 3,899,078 A \* 8/1975 Ambrozetes ..... B65D 85/18  
206/278



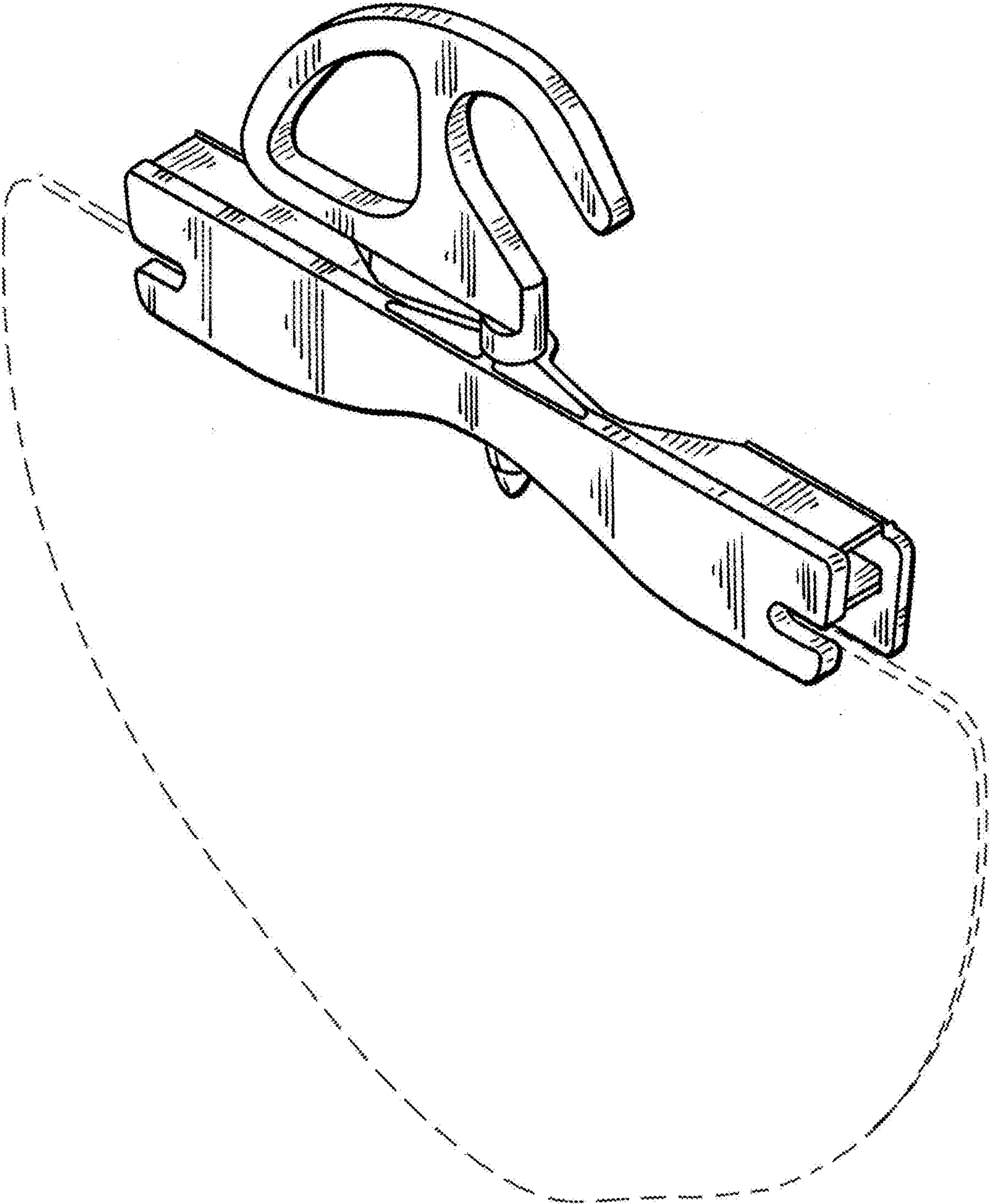
(56)

**References Cited**

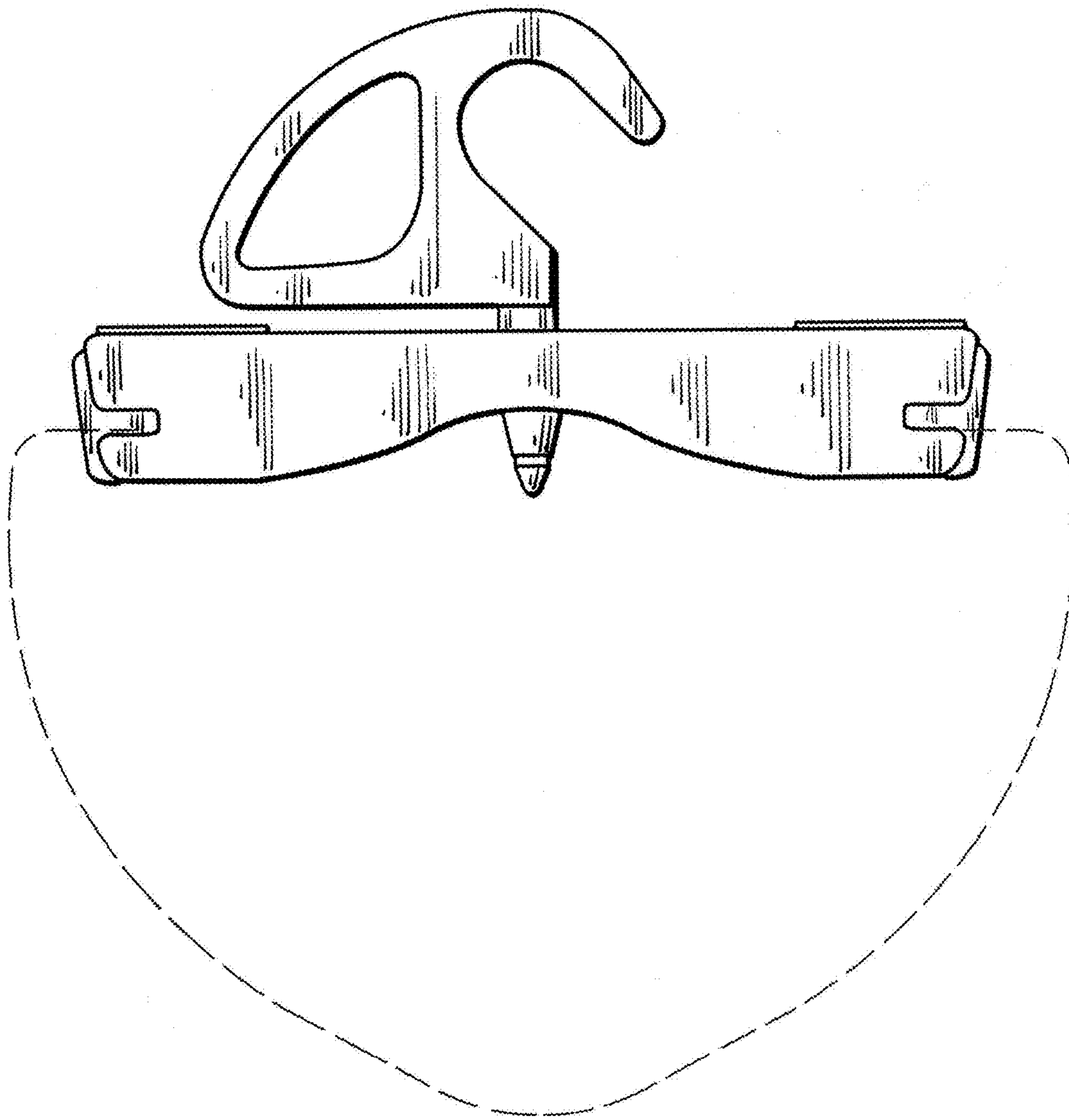
U.S. PATENT DOCUMENTS

D770,783 S \* 11/2016 Stroud ..... D6/327  
D771,403 S \* 11/2016 Matthews ..... D6/513  
2015/0274052 A1\* 10/2015 Brown ..... B60N 3/048  
428/99

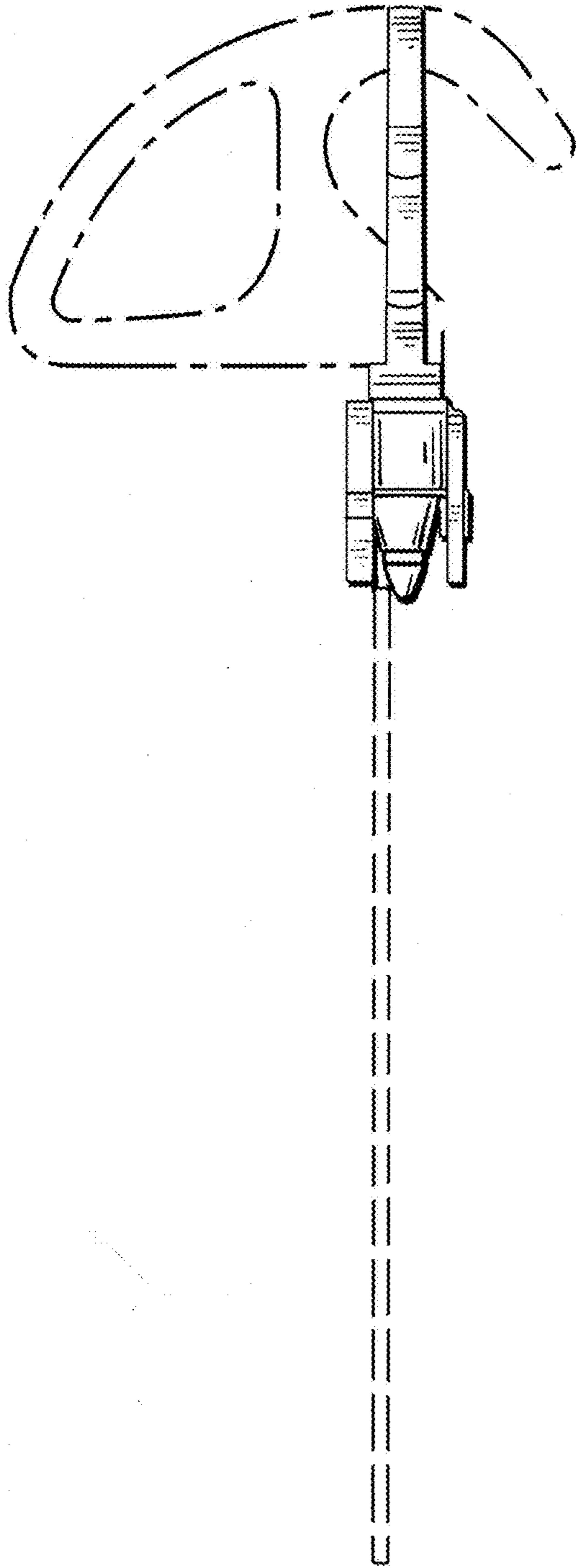
\* cited by examiner



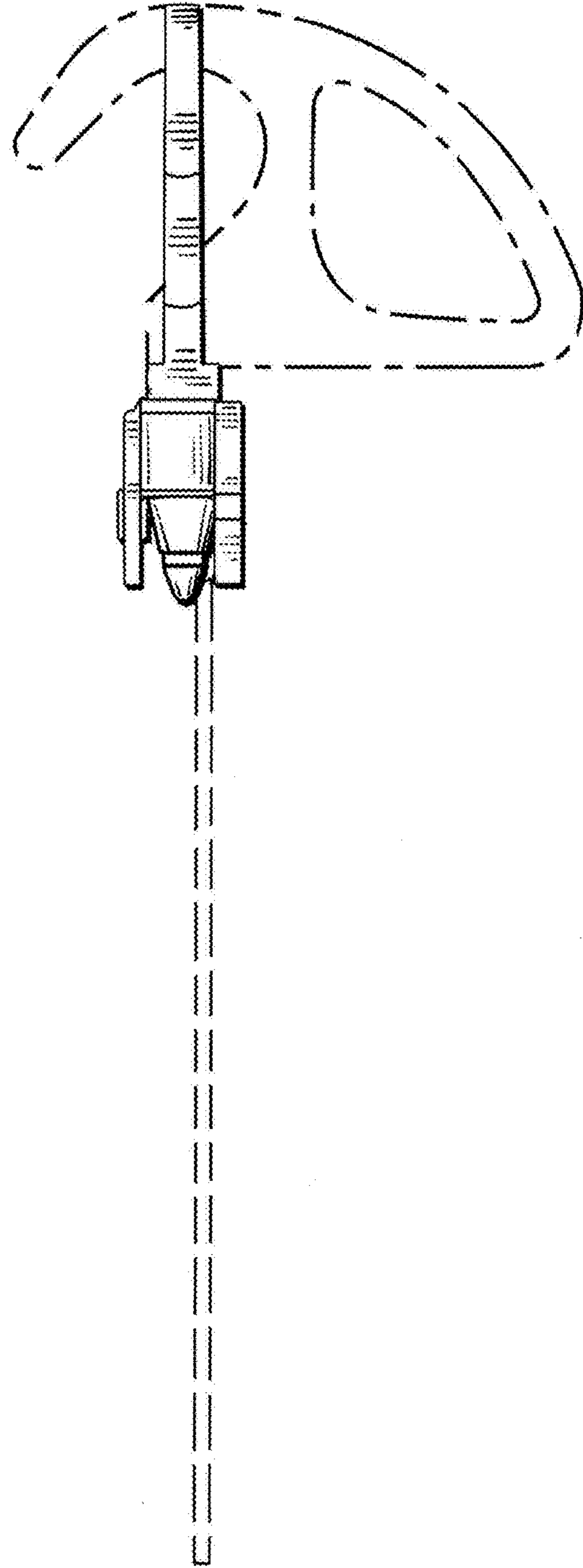
*Fig. 1*



*Fig. 2*

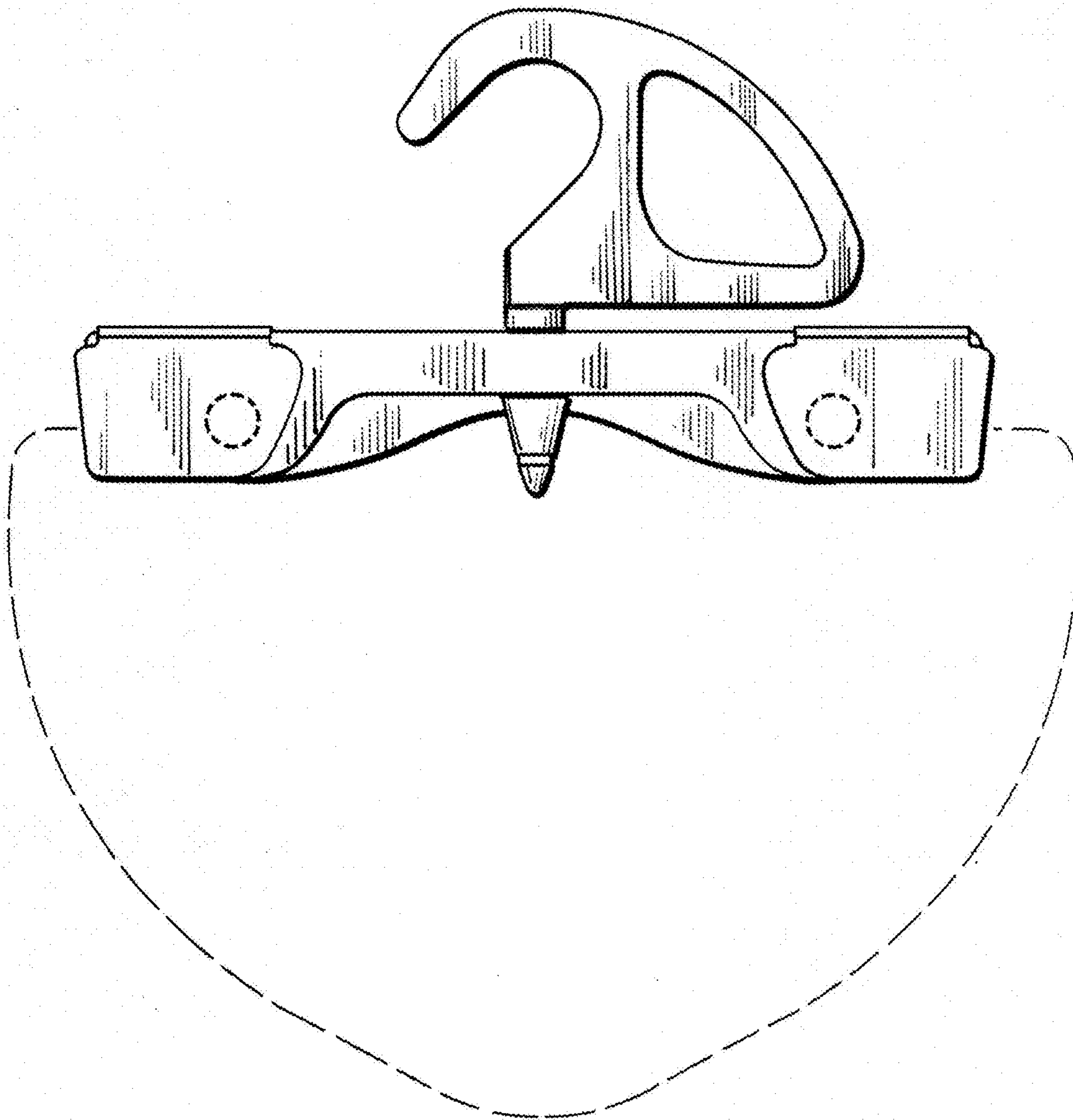


***Fig. 3***

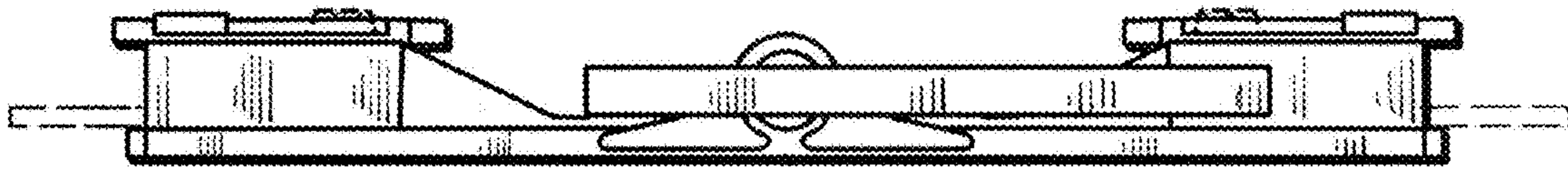


***Fig. 5***

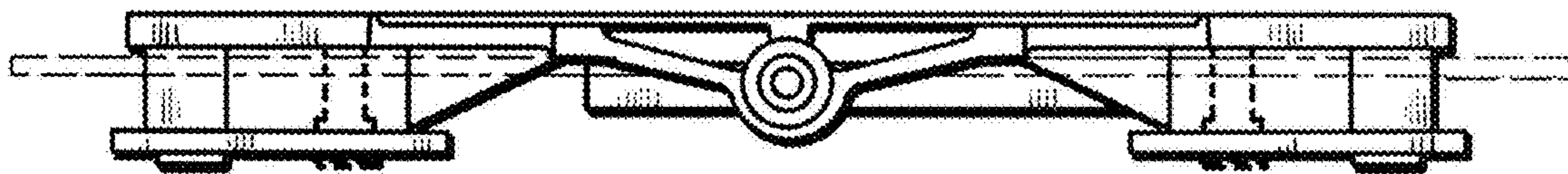




*Fig.4*



*Fig. 6*



*Fig. 7*