



US00D779930S

(12) **United States Design Patent**  
**Chen**

(10) **Patent No.:** **US D779,930 S**

(45) **Date of Patent:** **\*\* Feb. 28, 2017**

- (54) **BOLT**
- (71) Applicant: **Andrew Chen**, Taipei (TW)
- (72) Inventor: **Andrew Chen**, Taipei (TW)
- (\*\*) Term: **15 Years**
- (21) Appl. No.: **29/540,368**
- (22) Filed: **Sep. 23, 2015**
- (51) **LOC (10) Cl.** ..... **08-08**
- (52) **U.S. Cl.**  
USPC ..... **D8/387**
- (58) **Field of Classification Search**  
USPC ..... D8/382, 387, 388, 391, 393, 397, 399;  
D12/213, 400  
CPC ... F16B 23/00; F16B 23/0038; F16B 23/0046;  
F16B 23/0069; F16B 23/0007; F16B  
33/02; F16B 25/0015; F16B 25/0021;  
F16B 25/0026; F16B 25/0031; F16B  
25/0084; F16B 25/0036; Y10S  
411/91; Y10S 411/914; Y10S 411/919  
See application file for complete search history.

- 5,082,405 A \* 1/1992 Witten ..... B29C 65/42  
411/178
- 5,207,545 A \* 5/1993 Kochanski ..... B25B 23/065  
206/338
- D415,016 S \* 10/1999 Murguia ..... D8/387
- 6,302,888 B1 \* 10/2001 Mellinger ..... A61B 17/7032  
411/393
- D662,810 S \* 7/2012 Clarke ..... D8/397
- D689,762 S \* 9/2013 Yamazaki ..... D8/387
- D760,582 S \* 7/2016 Muzic ..... D8/387
- 2008/0166203 A1 \* 7/2008 Reynolds ..... F16B 37/14  
411/377

\* cited by examiner

*Primary Examiner* — Holly Baynham  
*Assistant Examiner* — Ieisha Price  
 (74) *Attorney, Agent, or Firm* — Lin & Associates  
 Intellectual Property, Inc.

(57) **CLAIM**

The ornamental design for a bolt, as shown and described.

**DESCRIPTION**

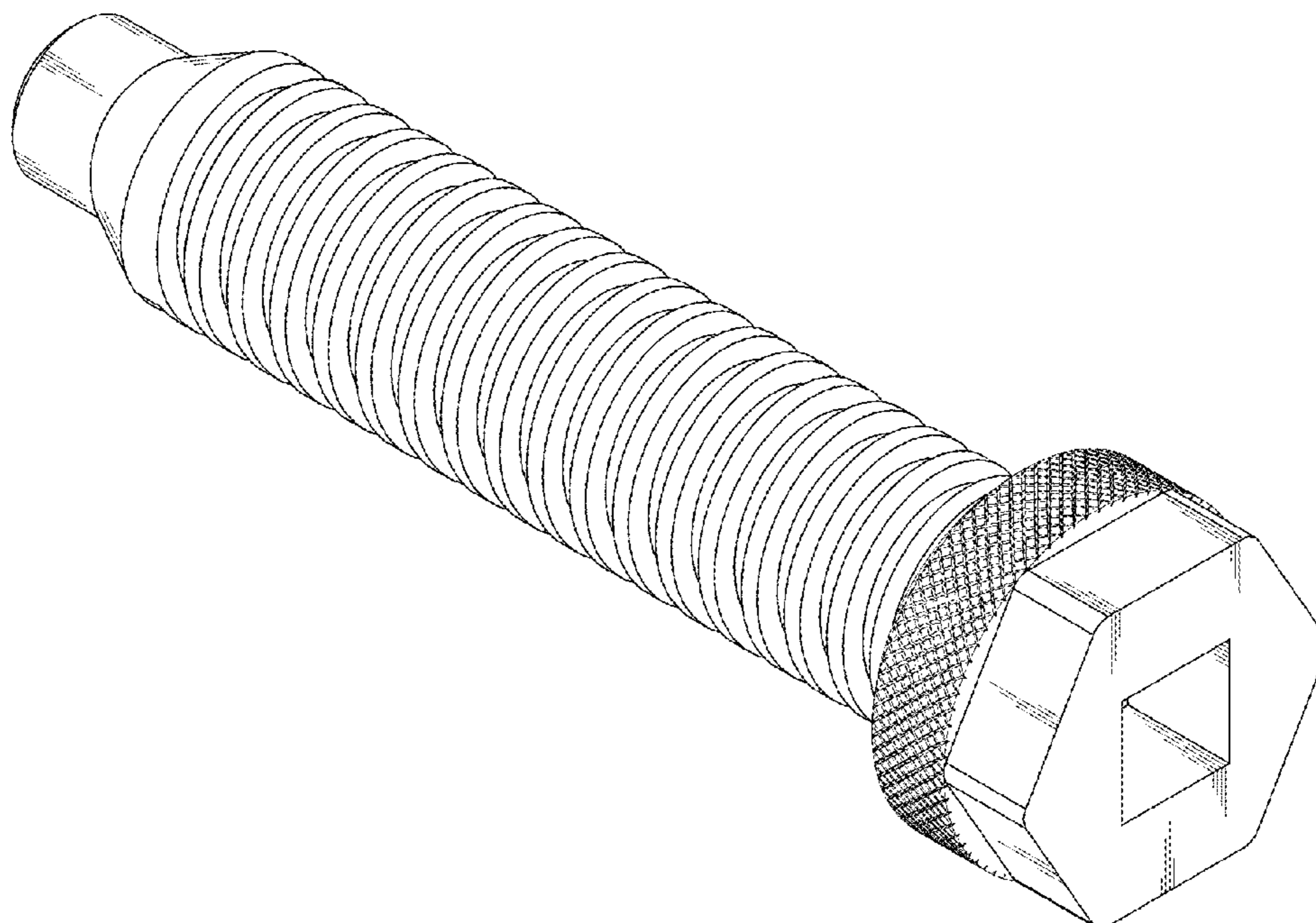
FIG. 1 is a perspective view of a bolt showing my new design;  
 FIG. 2 is a front elevational view thereof;  
 FIG. 3 is a rear elevational view thereof;  
 FIG. 4 is a left elevational view thereof;  
 FIG. 5 is a right elevational view thereof;  
 FIG. 6 is a top view thereof; and,  
 FIG. 7 is a bottom view thereof.

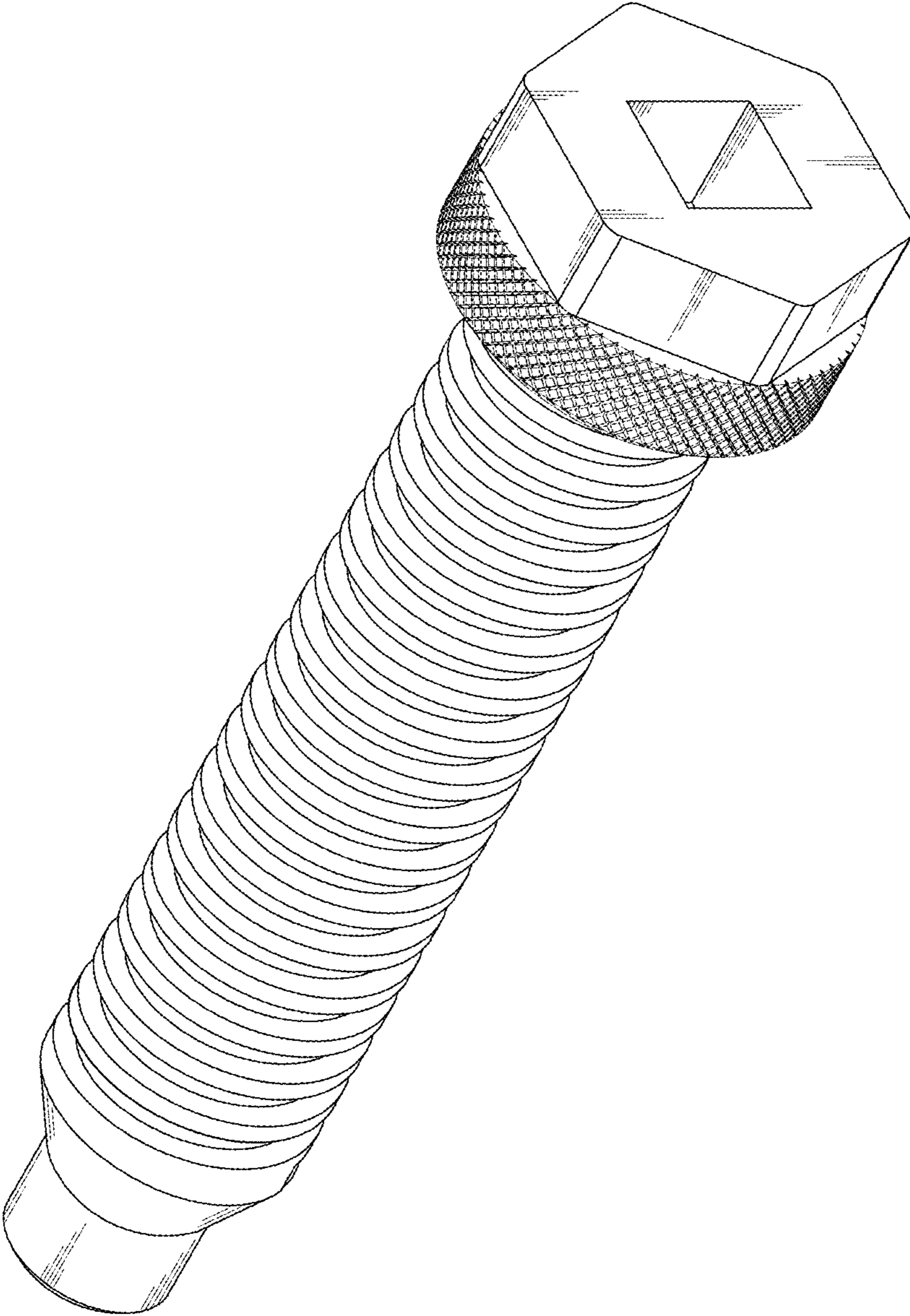
**1 Claim, 6 Drawing Sheets**

(56) **References Cited**

U.S. PATENT DOCUMENTS

- D23,336 S \* 6/1894 Quimby ..... D8/387
- D24,855 S \* 11/1895 Trapp ..... D6/716
- 1,778,576 A \* 10/1930 Walker ..... B25B 1/24  
269/245
- 3,002,414 A \* 10/1961 Nelson ..... B25B 21/002  
411/405
- 4,952,110 A \* 8/1990 Avgoustis ..... F16B 35/047  
411/386





**FIG. 1**

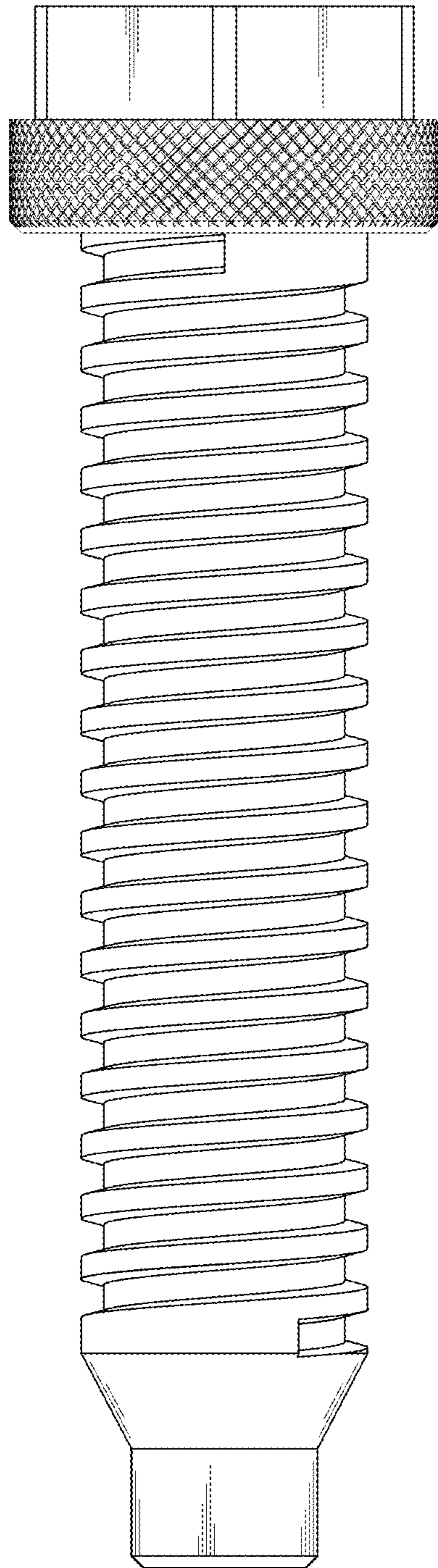


FIG. 2



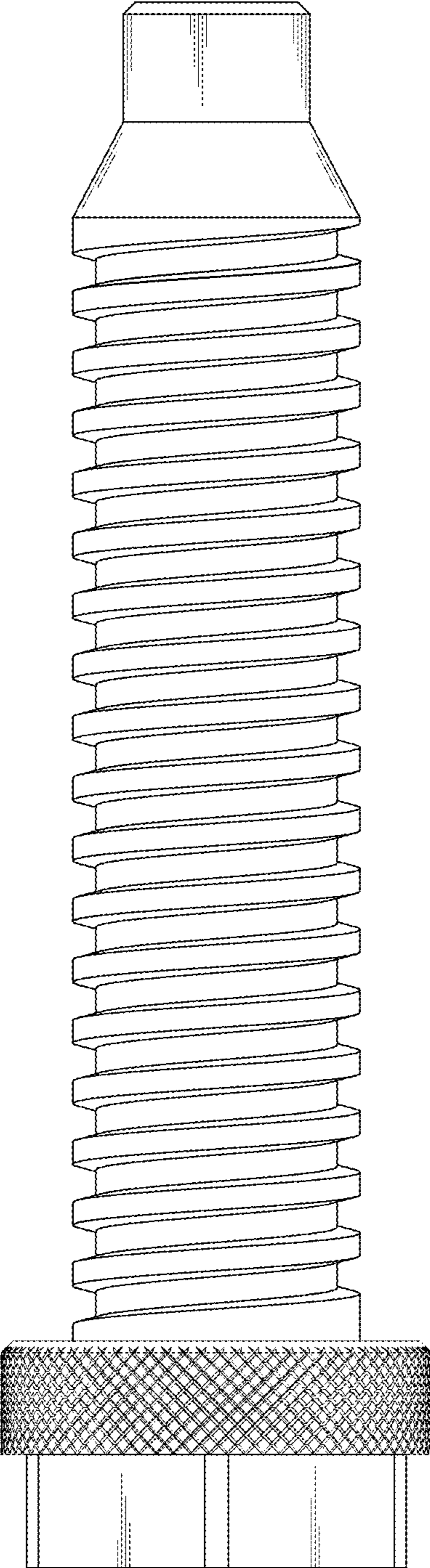
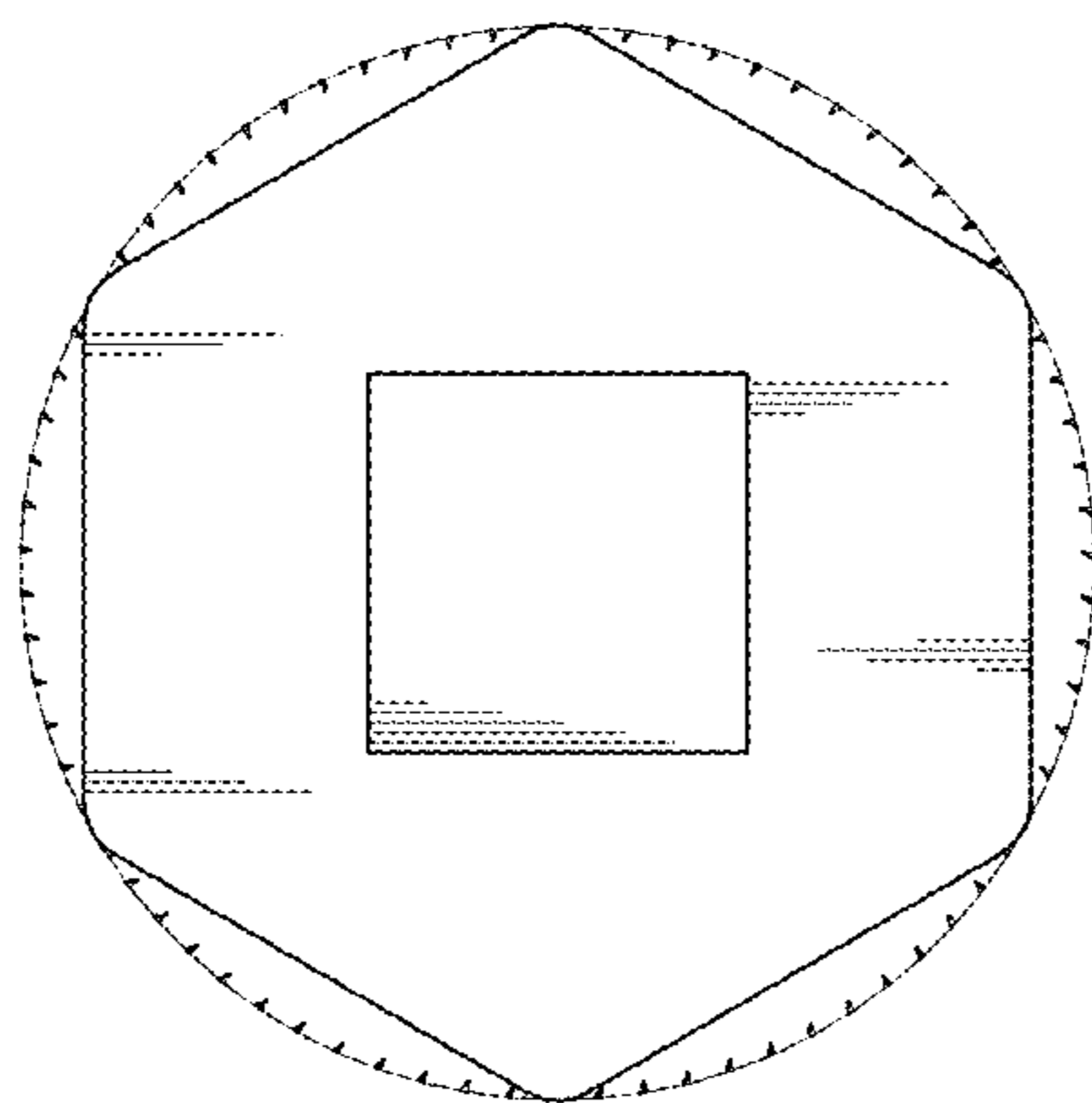
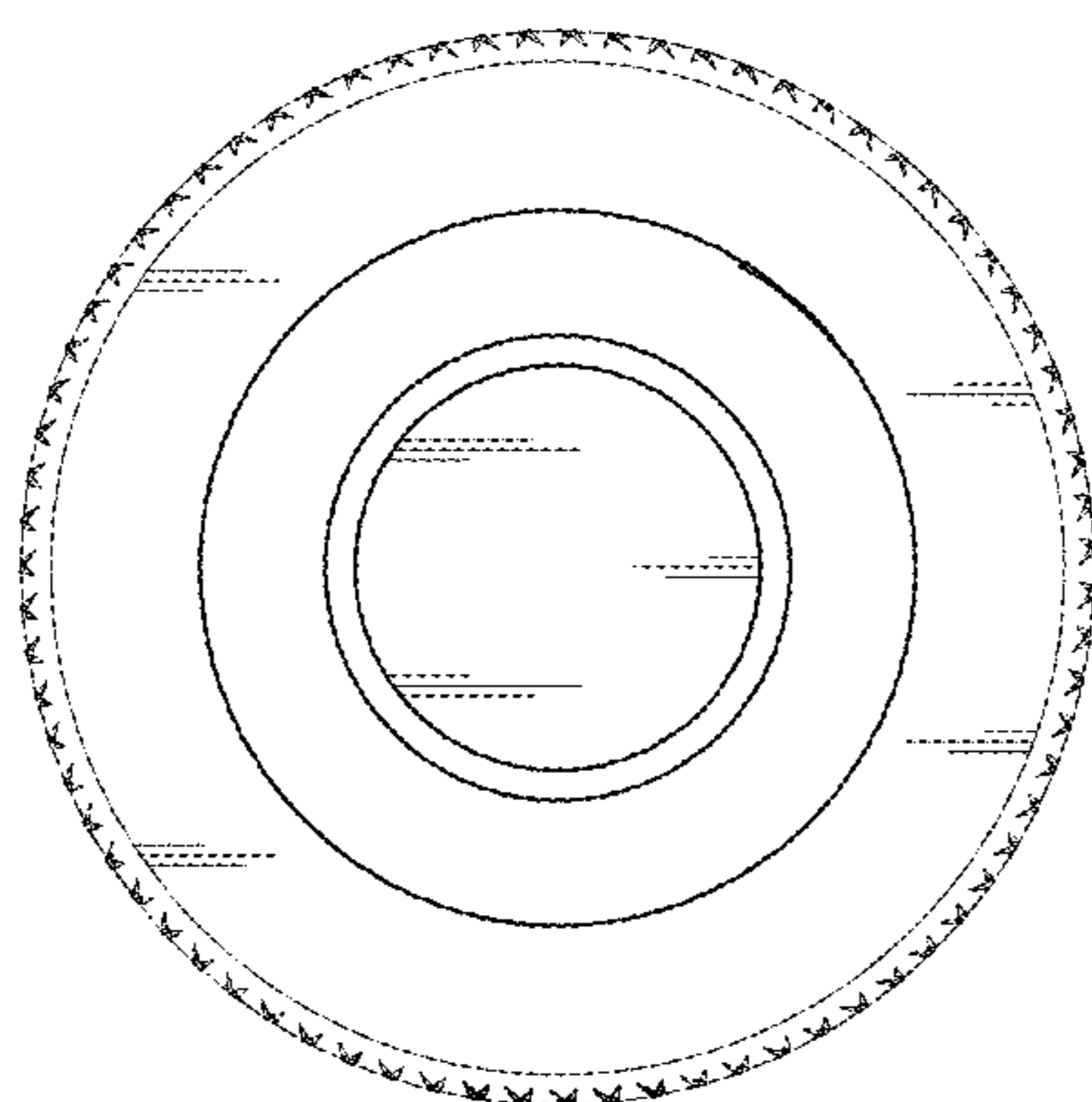


FIG. 3



**FIG. 5**



**FIG. 4**

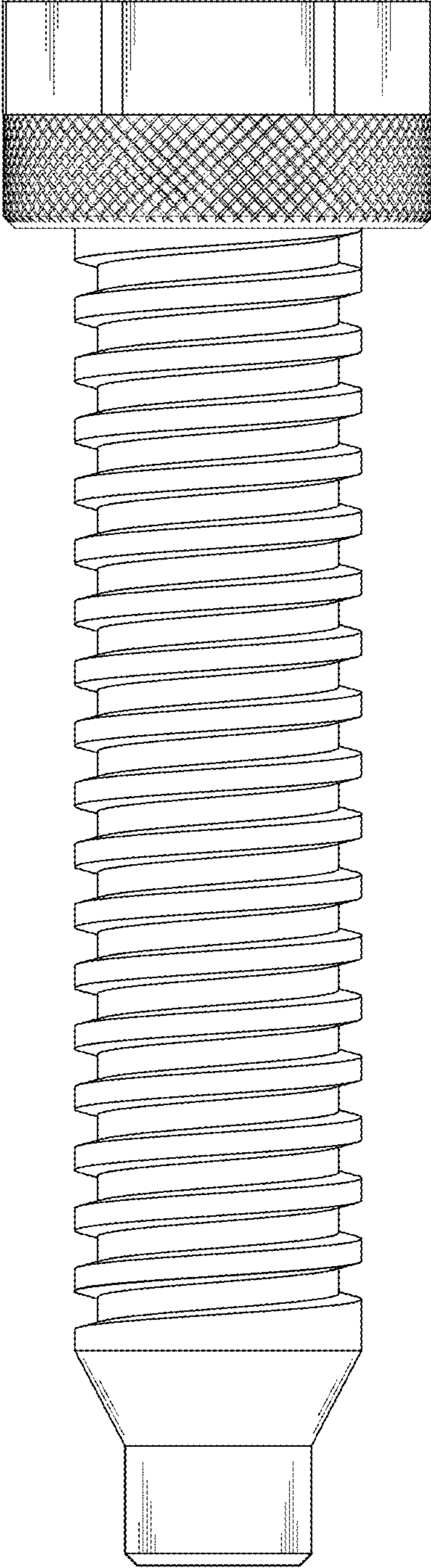


FIG. 6

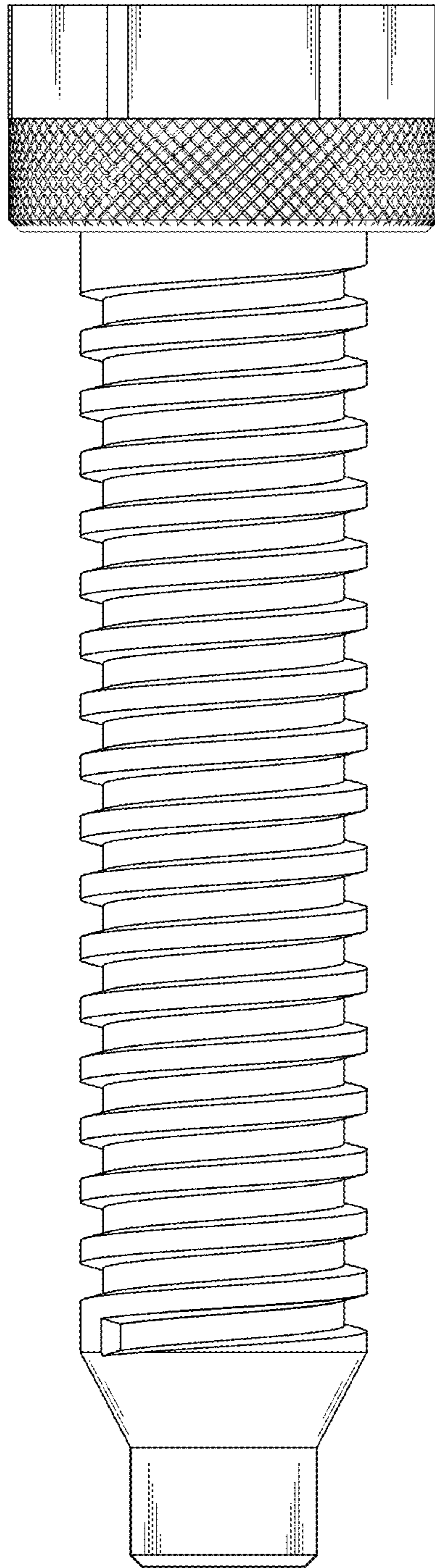


FIG. 7