



US00D779929S

(12) **United States Design Patent**
Matus, Jr.

(10) **Patent No.:** **US D779,929 S**

(45) **Date of Patent:** **** *Feb. 28, 2017**

(54) **GLASS FASTENER**

(71) Applicant: **Jose Orlando Matus, Jr.**, Gainesville,
GA (US)

(72) Inventor: **Jose Orlando Matus, Jr.**, Gainesville,
GA (US)

(*) Notice: This patent is subject to a terminal disclaimer.

(**) Term: **14 Years**

(21) Appl. No.: **29/502,500**

(22) Filed: **Sep. 17, 2014**

(51) **LOC (10) Cl.** **08-08**

(52) **U.S. Cl.**
USPC **D8/382**

(58) **Field of Classification Search**
USPC . D8/300, 307, 321, 322, 354, 382, 399, 499
CPC E06B 3/66; E06B 3/60; E06B 3/58; E06B
3/54; E06B 3/5436; E06B 3/663; E06B
3/667; F16B 35/06; A44B 17/00; A47F
10/06; A47F 11/00; C03C 27/06; C03C
27/08

See application file for complete search history.

(56) **References Cited**

U.S. PATENT DOCUMENTS

D530,185 S * 10/2006 Osiecki et al. D8/343
D579,303 S * 10/2008 Schneider D8/307
7,555,818 B2 * 7/2009 Erskine et al. 24/305

D631,336 S * 1/2011 Toumei D8/399
D674,273 S * 1/2013 Yogev D8/382
8,590,226 B2 * 11/2013 Stenvall 52/204.593
D716,637 S * 11/2014 McDonald D8/354
D720,198 S * 12/2014 Sabbag et al. D8/307

FOREIGN PATENT DOCUMENTS

DE 19725381 A1 * 1/1998 E06B 3/5436
TW 436721 U * 9/2012 E06B 3/54

* cited by examiner

Primary Examiner — Sheryl Lane

Assistant Examiner — Ieisha Price

(74) *Attorney, Agent, or Firm* — Smith Tempel Blaha
LLC; Matthew T. Hoots

(57) **CLAIM**

The ornamental design for a glass fastener, as shown and described.

DESCRIPTION

FIG. 1 is a perspective top view of my new ornamental design for a glass fastener;

FIG. 2 is a perspective bottom view of the glass fastener shown in FIG. 1;

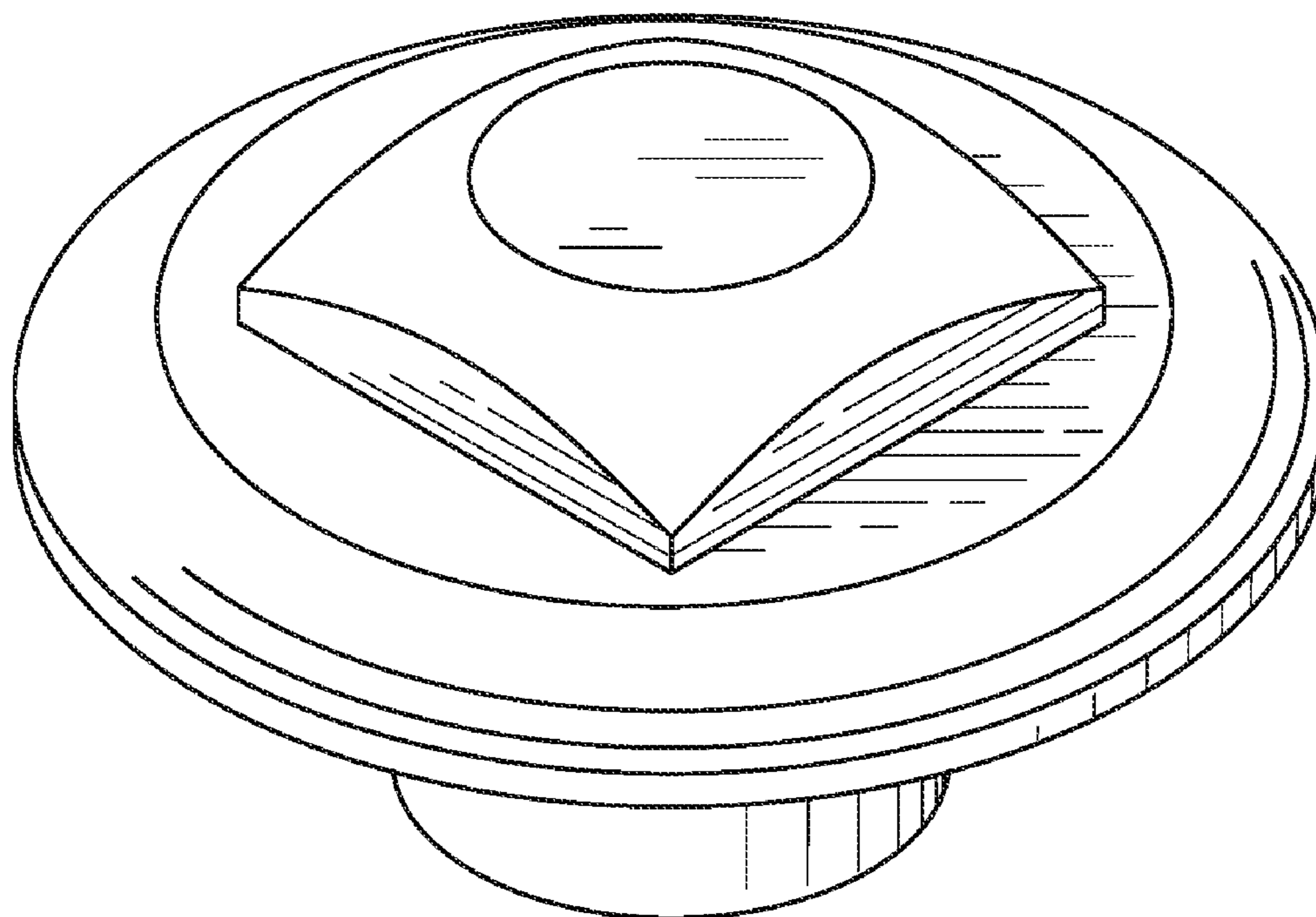
FIG. 3 is a top view of the glass fastener shown in FIG. 1;

FIG. 4 is a bottom view of the glass fastener shown in FIG. 1; and,

FIG. 5 is a side view of the glass fastener shown in FIG. 1. The side view depicts the glass fastener from any side.

The broken lines in the drawings illustrate portions of the glass fastener and form no part of the claimed design.

1 Claim, 3 Drawing Sheets



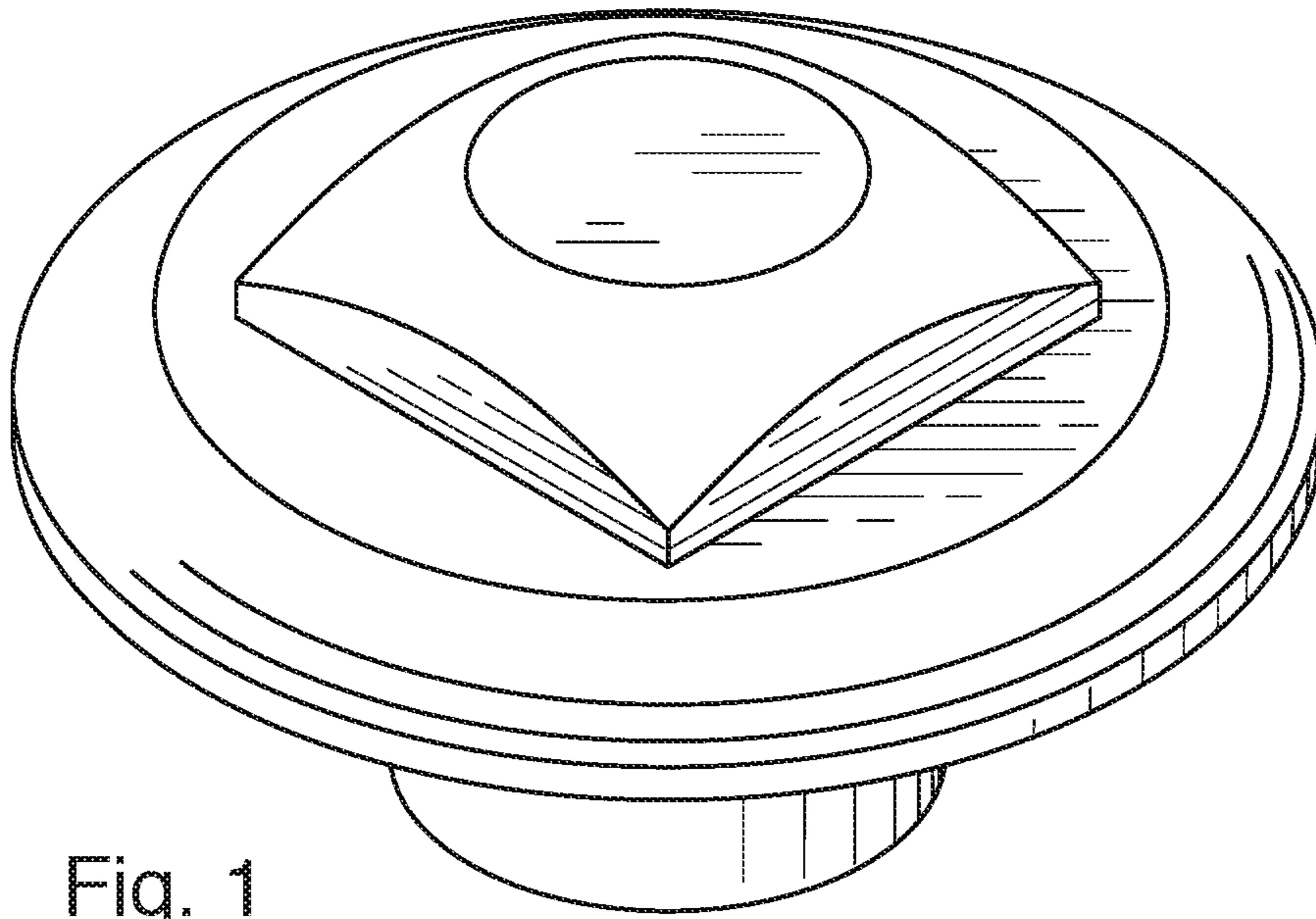


Fig. 1

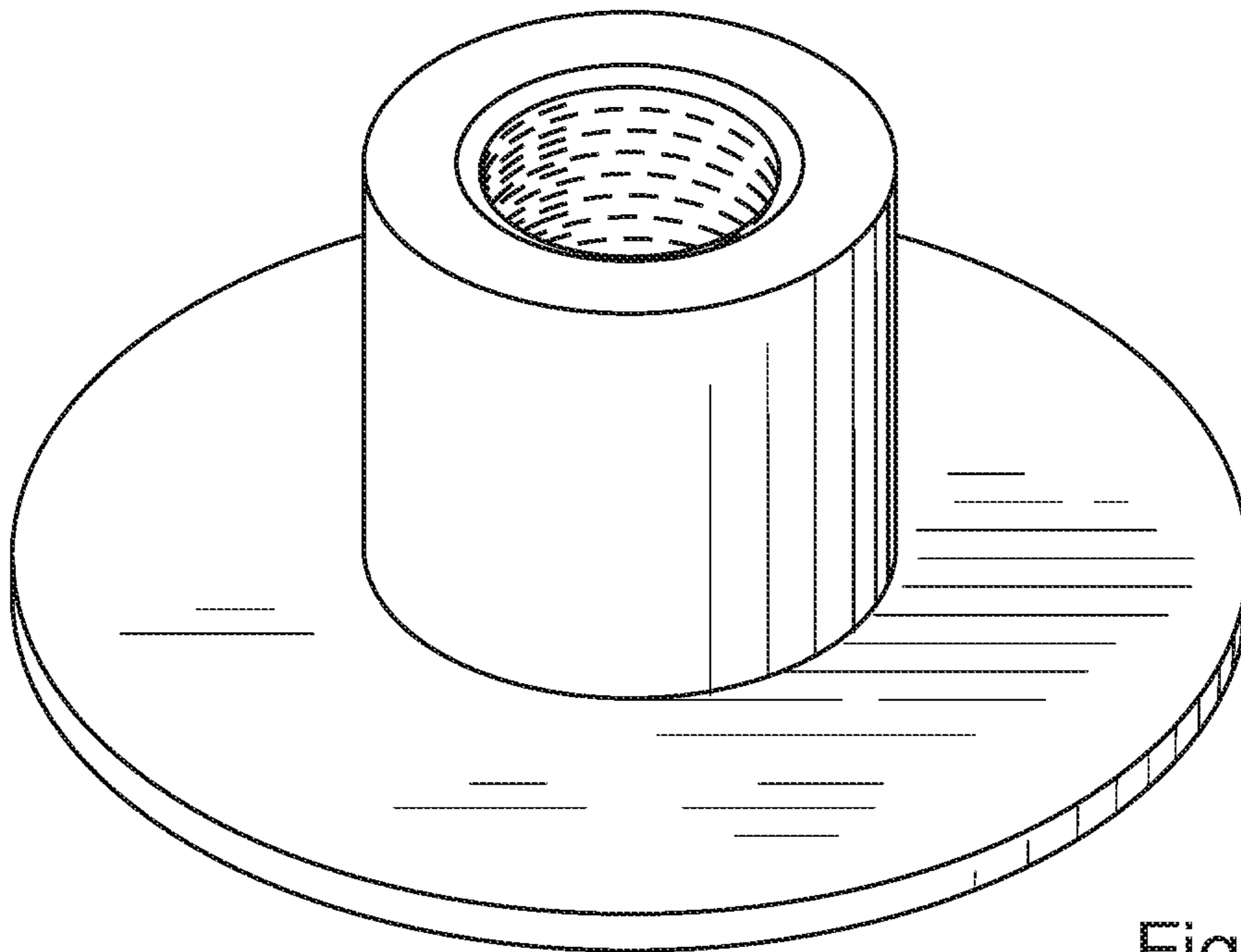


Fig. 2

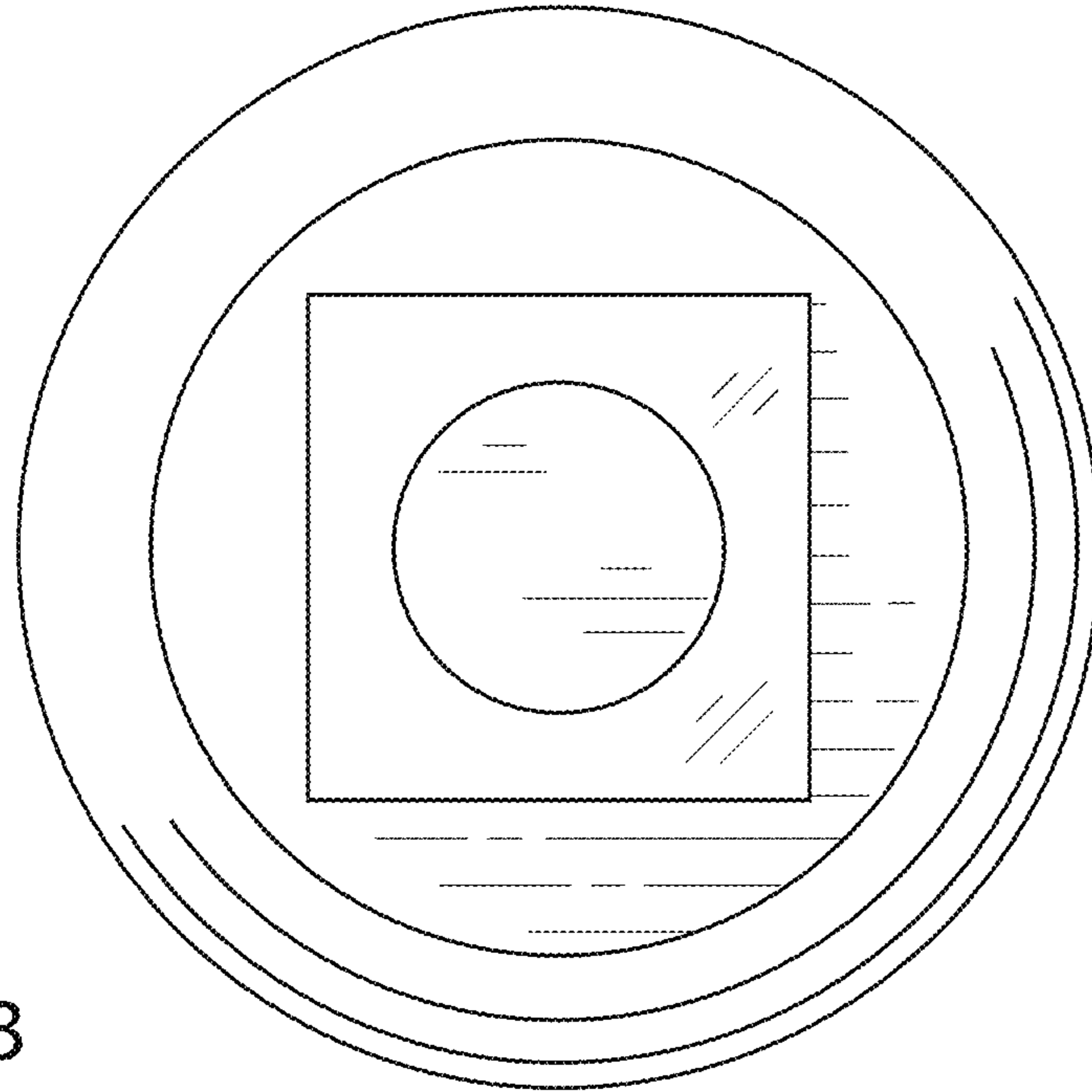


Fig. 3

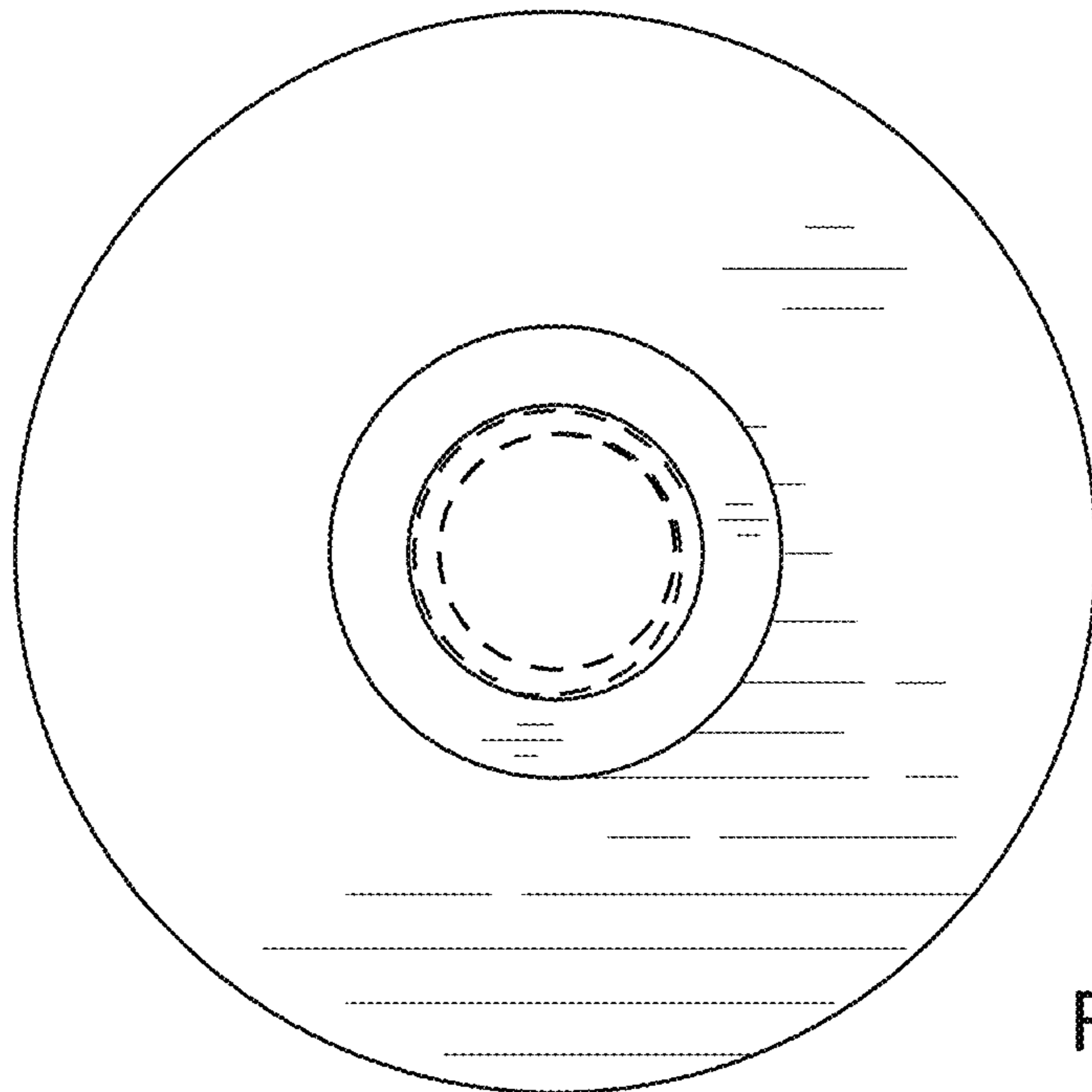


Fig. 4

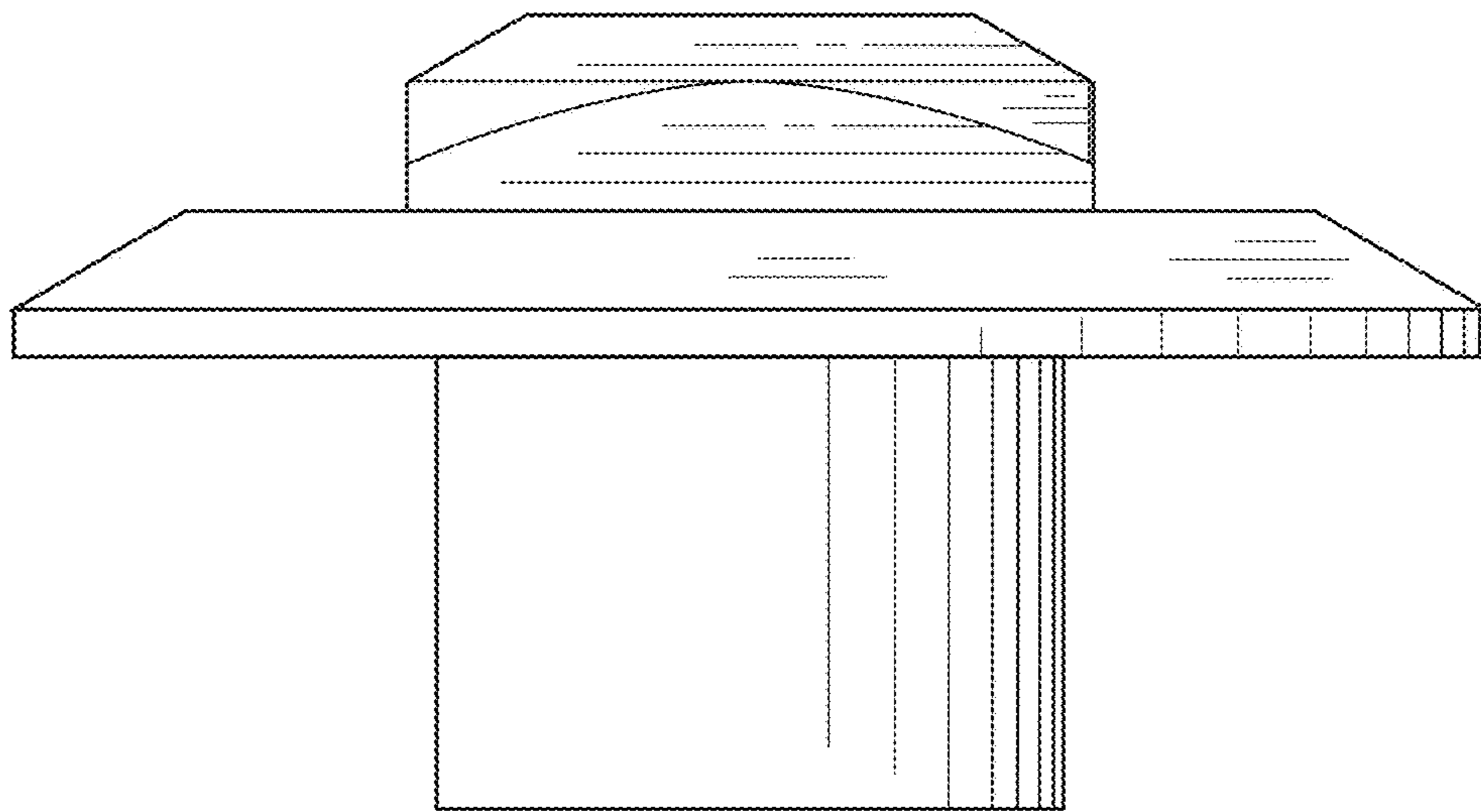


Fig. 5