



US00D779926S

(12) **United States Design Patent** (10) **Patent No.:** **US D779,926 S**
Taylor (45) **Date of Patent:** **** Feb. 28, 2017**

(54) **TAPE LINE WIPER**

2016/0222232 A1* 8/2016 Landa C09D 11/107
524/562

(71) Applicant: **Carl A. Taylor**, Frisco, TX (US)

* cited by examiner

(72) Inventor: **Carl A. Taylor**, Frisco, TX (US)

Primary Examiner — Cynthia Underwood
(74) *Attorney, Agent, or Firm* — Alvin R. Wirthlin

(**) Term: **15 Years**

(57) **CLAIM**

(21) Appl. No.: **29/559,169**

The ornamental design for a tape line wiper, as shown and described.

(22) Filed: **Mar. 25, 2016**

(51) **LOC (10) Cl.** **05-05**

(52) **U.S. Cl.**
USPC **D8/356**

DESCRIPTION

(58) **Field of Classification Search**
USPC D8/354, 349, 356, 367, 1, 360, 358, 359;
D34/35; D6/358, 309; D25/131, 133;
182/2, 3
CPC F16B 45/02; F16B 47/00; B66C 1/125;
B66C 1/36; A62B 35/0037; A62B 35/04;
A62B 35/0068; B65H 75/40
See application file for complete search history.

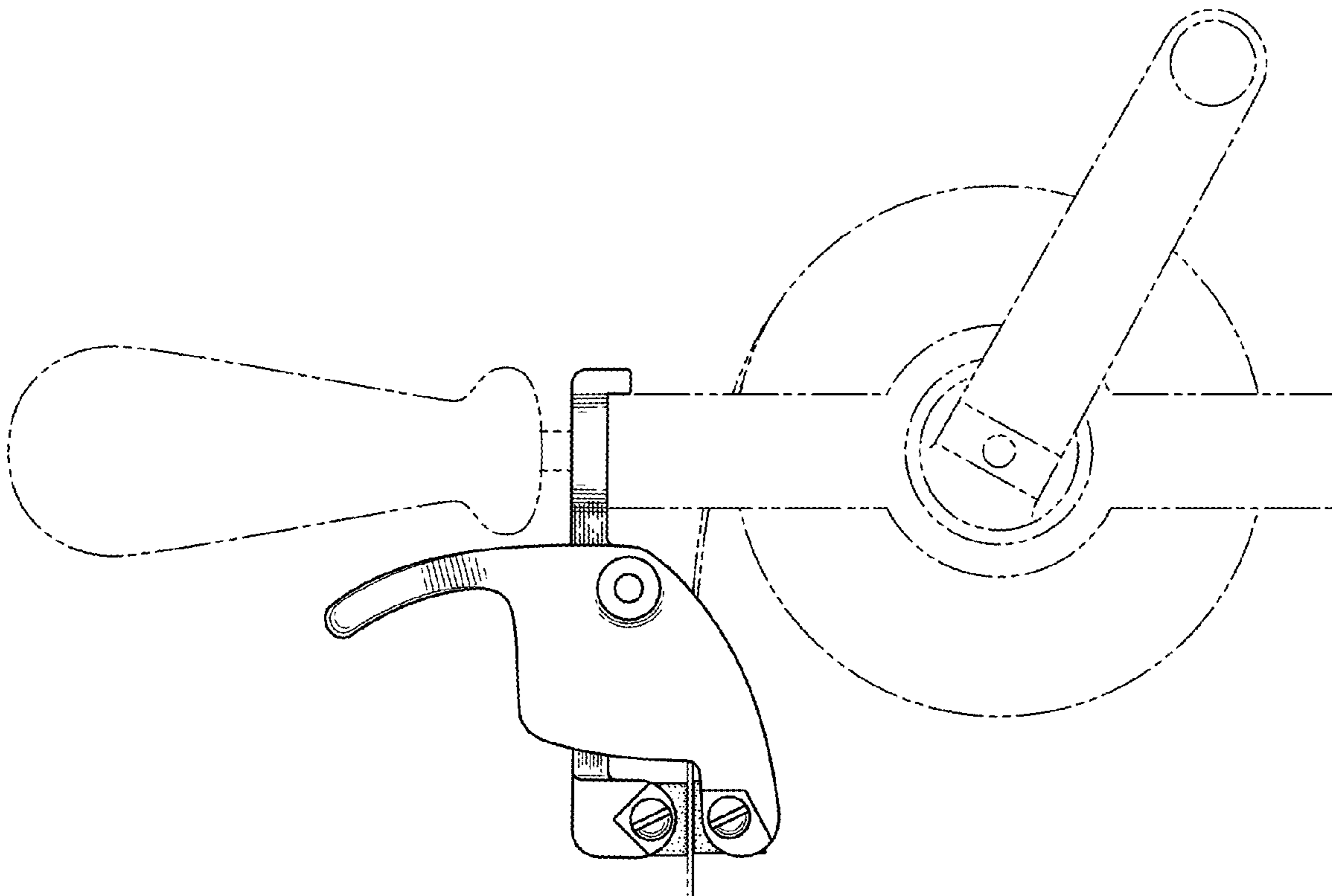
FIG. 1 is a side elevational view of the tape line wiper showing my new design, as mounted on a tape being wiped, the latter being shown in broken lines for purposes of illustration and do not form part of the claimed design; FIG. 2 is a top plan view of my tape line wiper; FIG. 3 is a right side elevational view thereof, with a left side elevational view being a mirror image thereof; FIG. 4 is a bottom plan view thereof; FIG. 5 is a front elevational view thereof; and, FIG. 6 is a rear elevational view thereof. The broken lines represent environment and form no part of the claim. The boundary lines represent boundaries of the claim and form no part of the claim.

(56) **References Cited**

U.S. PATENT DOCUMENTS

D176,570 S 1/1956 Taylor
D649,017 S * 11/2011 Stieler D8/356
D736,603 S * 8/2015 Petzl D8/356

1 Claim, 2 Drawing Sheets



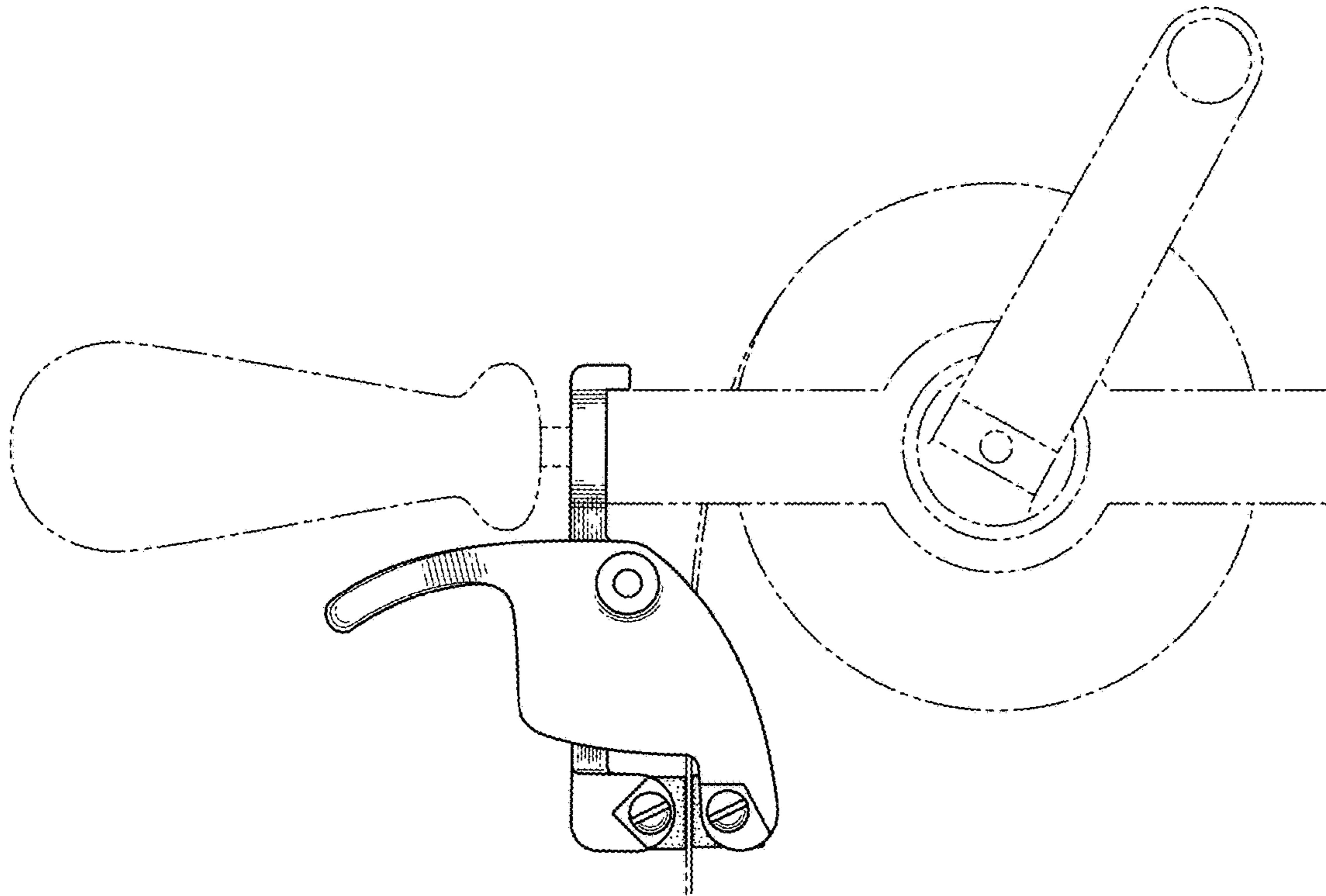


FIG. 1

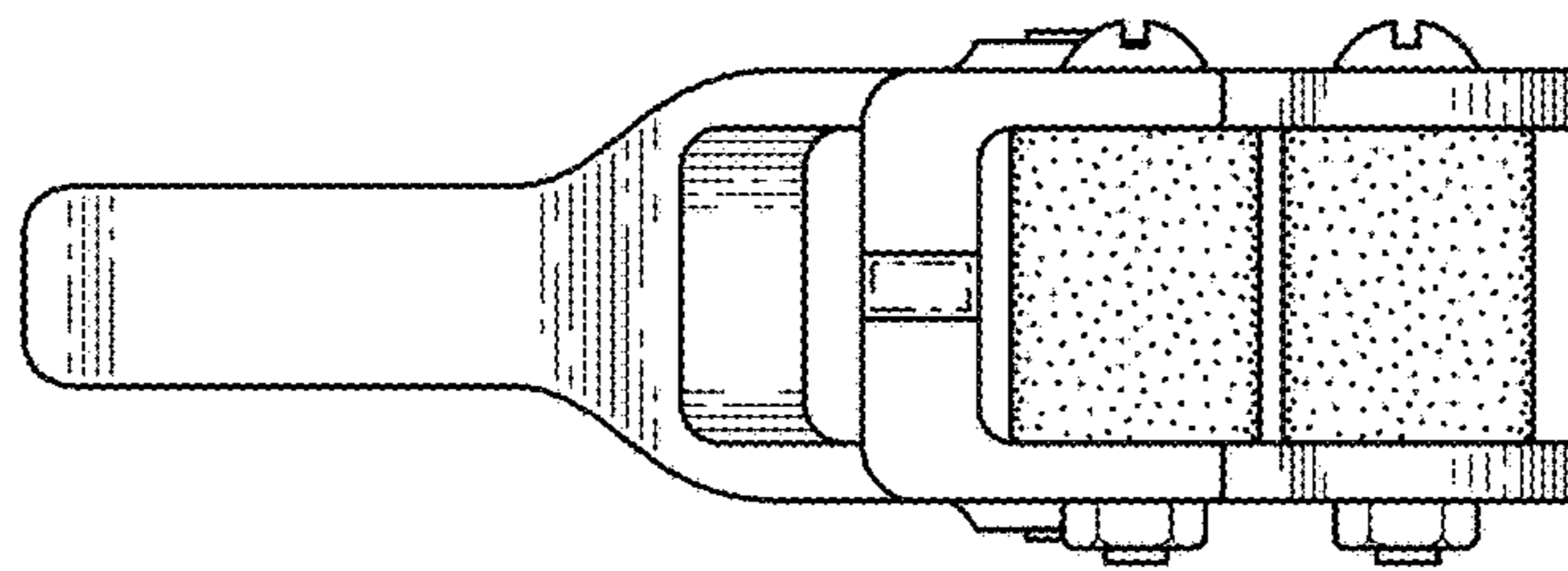


FIG. 2

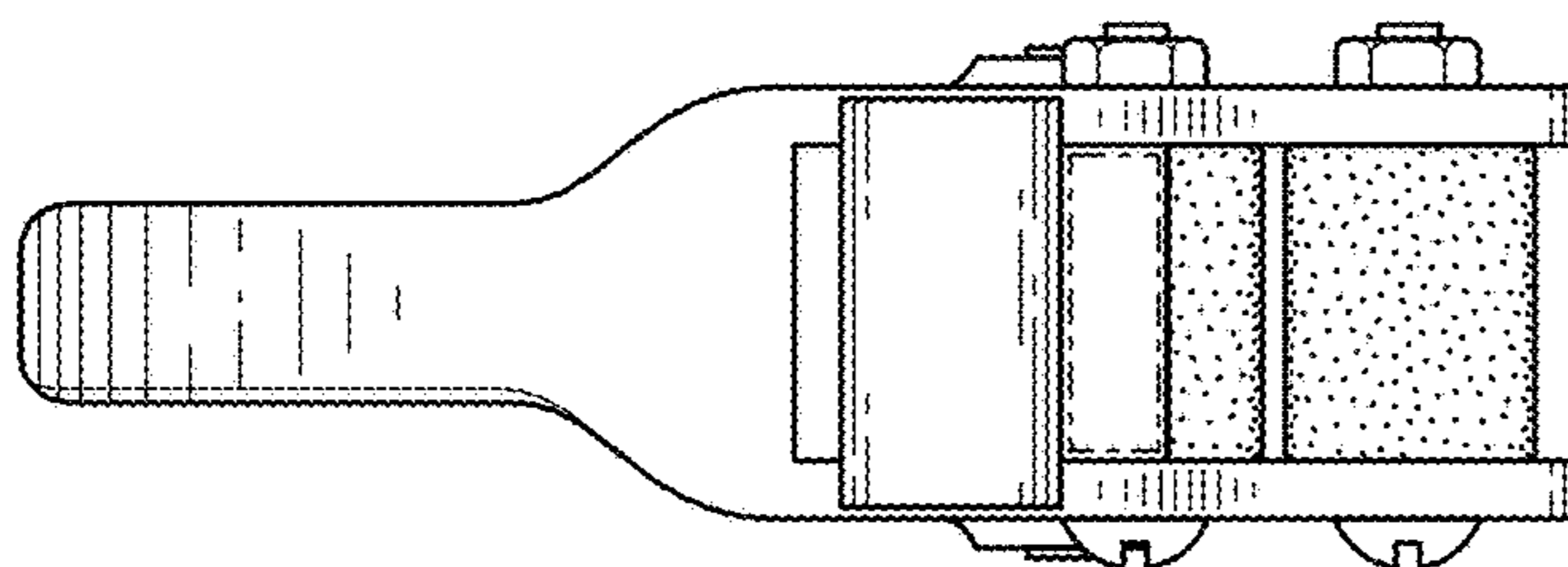


FIG. 4

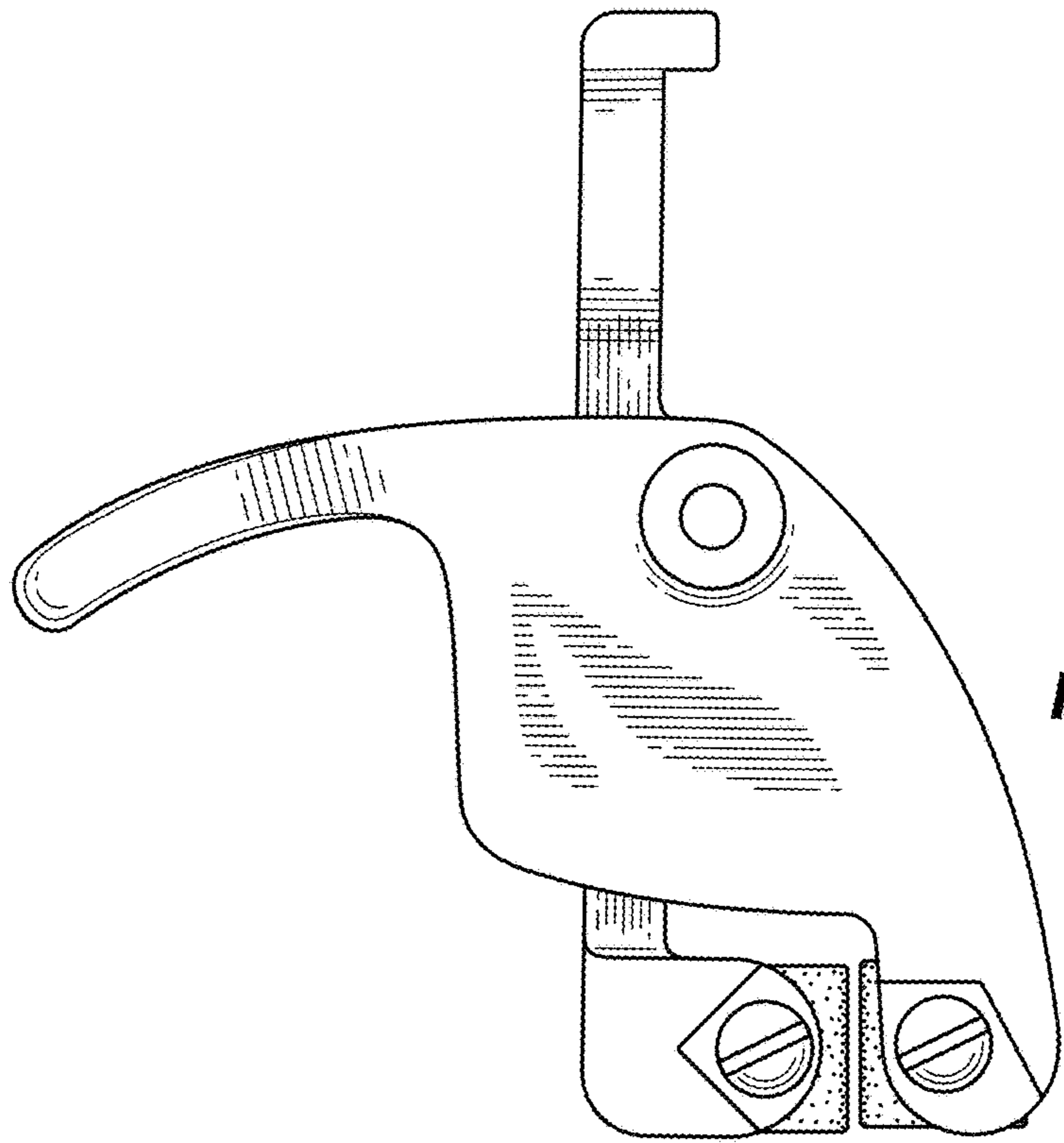


FIG. 3

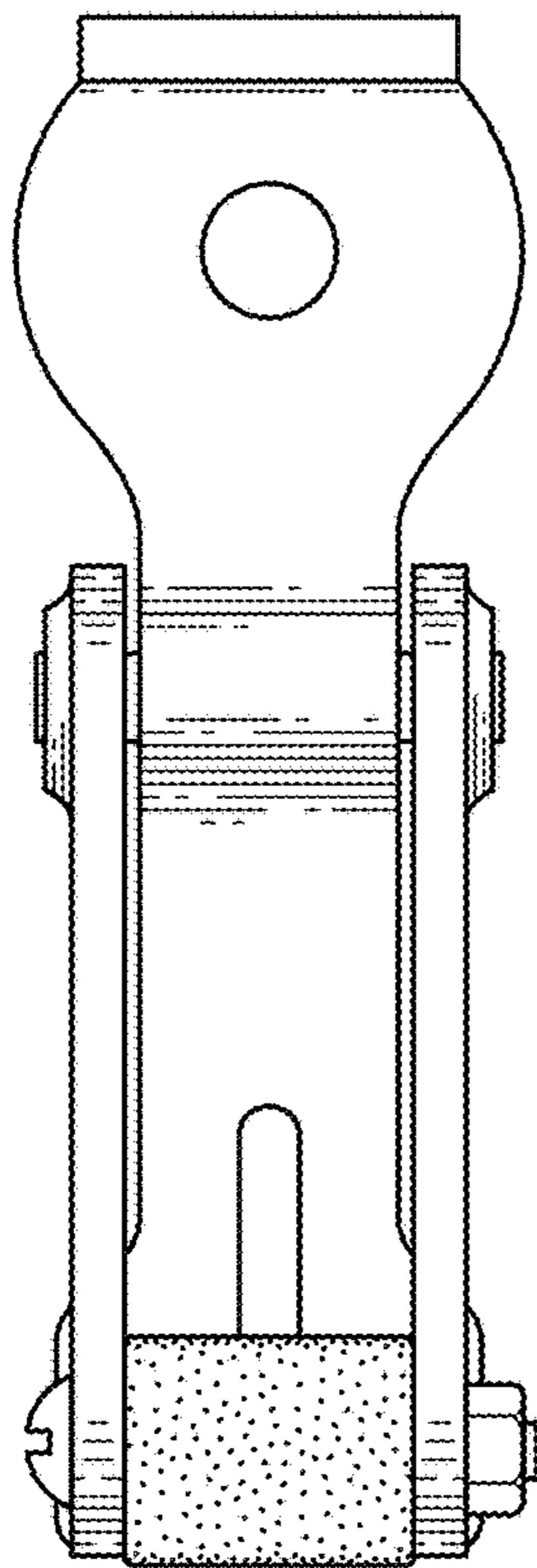


FIG. 5

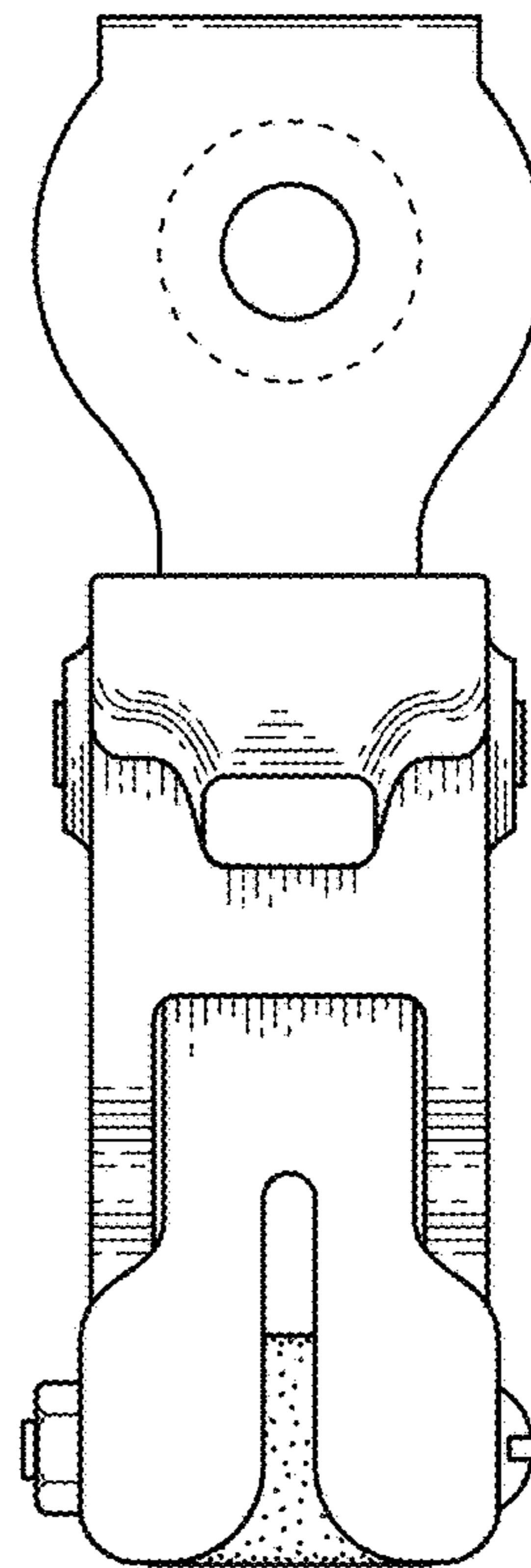


FIG. 6