



US00D779921S

(12) **United States Design Patent**
Del Rossa

(10) **Patent No.:** **US D779,921 S**

(45) **Date of Patent:** **** Feb. 28, 2017**

(54) **JIG FOR REPAIRING BROKEN MOUNTING STUDS**

(71) Applicant: **Jeffrey Del Rossa**, Pittsburgh, PA (US)

(72) Inventor: **Jeffrey Del Rossa**, Pittsburgh, PA (US)

(**) Term: **15 Years**

(21) Appl. No.: **29/536,101**

(22) Filed: **Aug. 13, 2015**

(51) **LOC (10) Cl.** **08-05**

(52) **U.S. Cl.**

USPC **D8/354**; D8/349; D12/223

(58) **Field of Classification Search**

USPC D8/14, 71, 349, 354, 382, 394, 396, 398,
D8/499; D12/223

CPC F28D 9/0006; F28D 9/0025; F28F 3/025;
F02M 26/32; F01N 13/1805; F01N

13/1811; F01N 13/1827; F01N 13/1838;
B23B 49/02; B23B 51/0054

See application file for complete search history.

(56) **References Cited**

U.S. PATENT DOCUMENTS

- 3,396,361 A * 8/1968 Sussman H01L 23/40
174/16.3
- 4,119,335 A * 10/1978 Rieffle F16L 21/022
285/249
- 4,517,585 A * 5/1985 Ridout H01L 23/4006
174/16.3
- D339,277 S * 9/1993 Snider D8/71
- D363,500 S * 10/1995 Ichihara D15/143
- D367,249 S * 2/1996 Ott D12/114
- 5,505,546 A * 4/1996 Okude F16C 35/02
384/276
- D371,139 S * 6/1996 Waskiewicz 384/428
- 5,755,464 A * 5/1998 Erwin F01N 13/1805
285/328
- D420,688 S * 2/2000 Ichihara D15/143

6,079,753 A * 6/2000 Erwin F01N 13/1805
285/328

6,484,913 B1 * 11/2002 Hancock B60R 7/14
211/64

D695,788 S * 12/2013 Wilkinson D15/7

D745,119 S * 12/2015 Browning D23/265

D747,952 S * 1/2016 Attanasio D8/349

(Continued)

OTHER PUBLICATIONS

Promaxx, Image post date unknown, site visited on Jul. 18, 2016
(online), 1 page, <<http://www.promaxxtool.com/nino.html>>.*

(Continued)

Primary Examiner — Sandra Snapp

Assistant Examiner — Ieisha Price

(74) *Attorney, Agent, or Firm* — Picadio Sneath Miller &
Norton, P.C.; Robert L. Wagner

(57) **CLAIM**

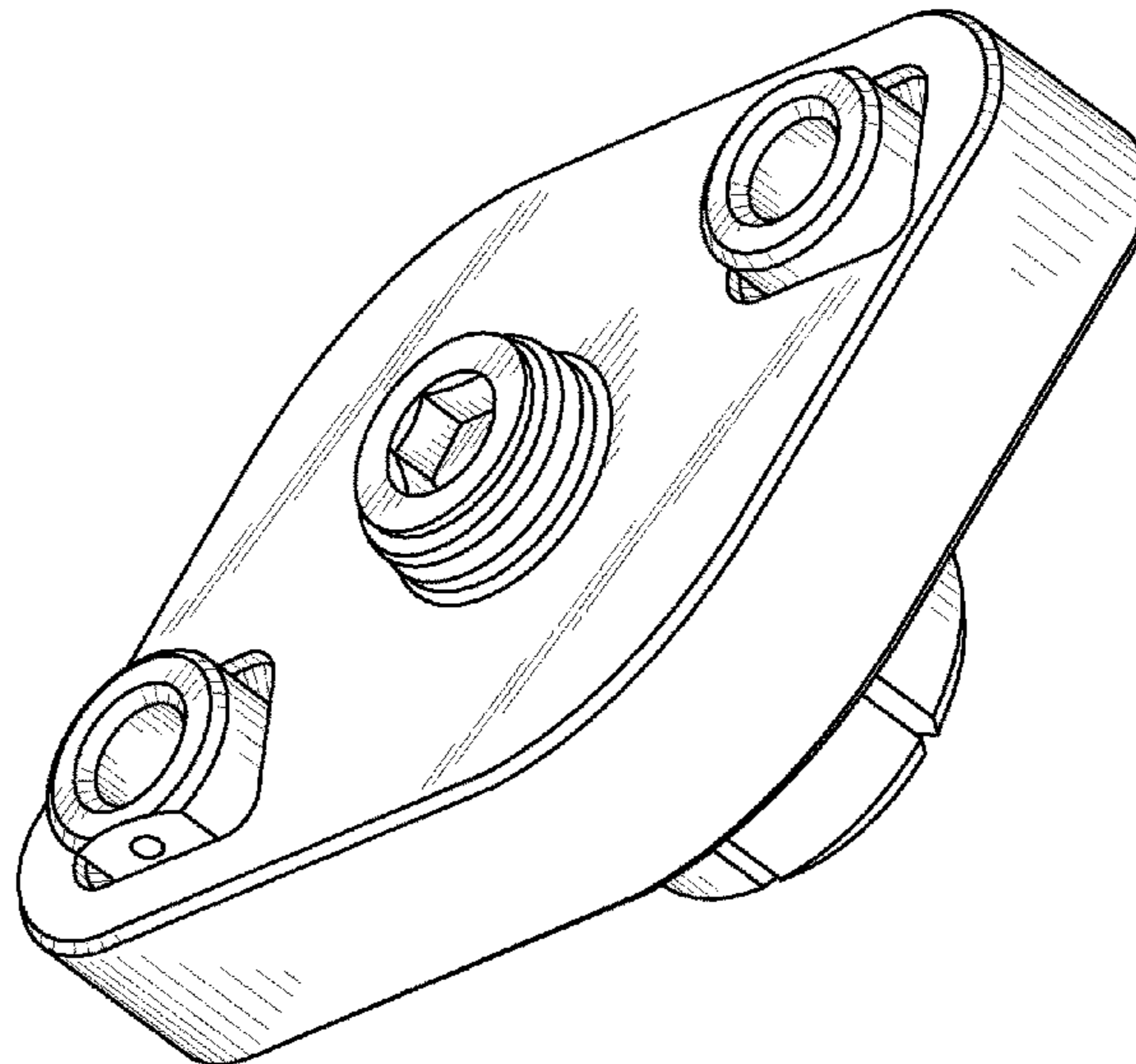
The ornamental design for a jig for repairing broken mounting studs, as shown and described.

DESCRIPTION

FIG. 1 is a top perspective view of a jig for repairing broken mounting studs showing my design;
FIG. 2 is a top plan view thereof;
FIG. 3 is a side elevation view thereof;
FIG. 4 is an opposite side elevation view thereof;
FIG. 5 is a bottom plan view thereof;
FIG. 6 is an end elevation view thereof; and,
FIG. 7 is an opposite end elevation view thereof.

The broken lines in the drawings illustrate portions of the jig for repairing broken mounting studs and form no part of the claimed design.

1 Claim, 3 Drawing Sheets



(56)

References Cited

U.S. PATENT DOCUMENTS

2002/0008387 A1* 1/2002 Vasudeva F01N 13/16
285/405
2008/0087409 A1* 4/2008 Nakamura F28D 9/0025
165/165
2011/0047997 A1* 3/2011 Goplen F01N 3/34
60/317
2013/0149057 A1* 6/2013 Nisikawa B23B 51/048
408/83
2013/0152291 A1* 6/2013 Stonecipher E03D 11/16
4/252.1
2016/0273440 A1* 9/2016 Eadie F01N 13/1805

OTHER PUBLICATIONS

ProMAXX Tools—Nino, Image post date Nov. 23, 2015, site visited
on Jul. 18, 2016 (online), 1 page, <[https://www.youtube.com/
watch?v=JaXrq59JbWo](https://www.youtube.com/watch?v=JaXrq59JbWo)>.*

* cited by examiner

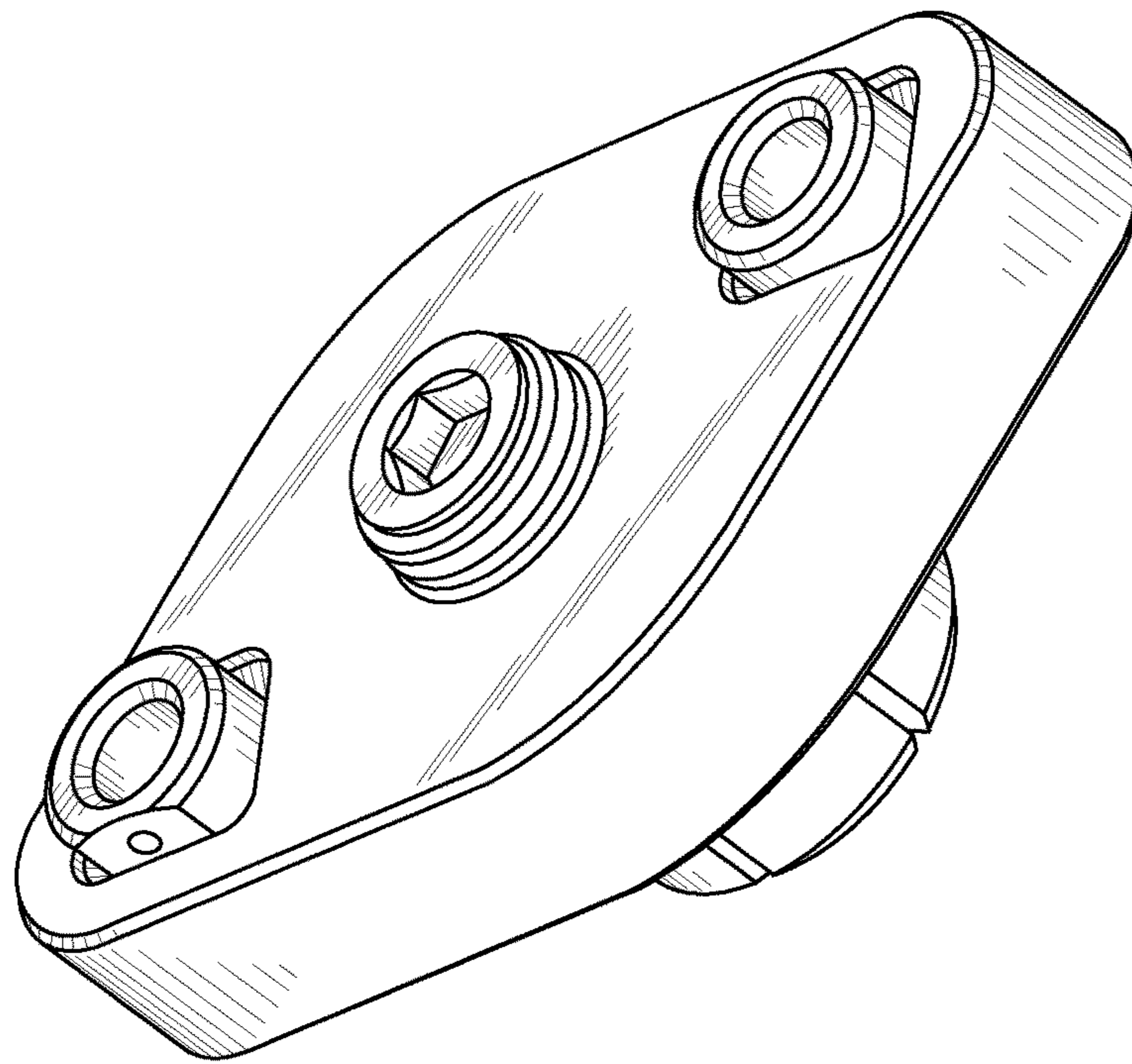


FIG. 1

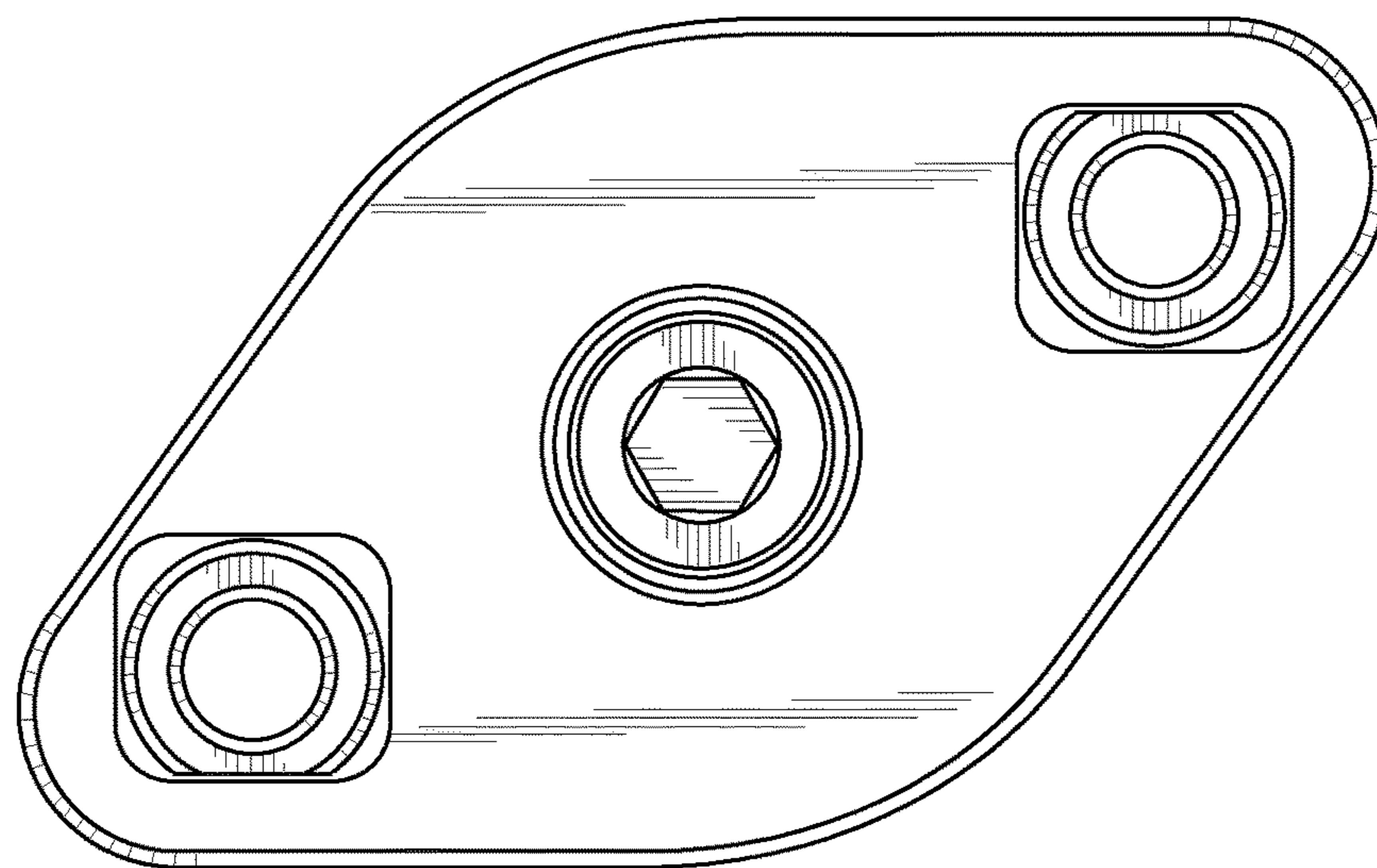


FIG. 2

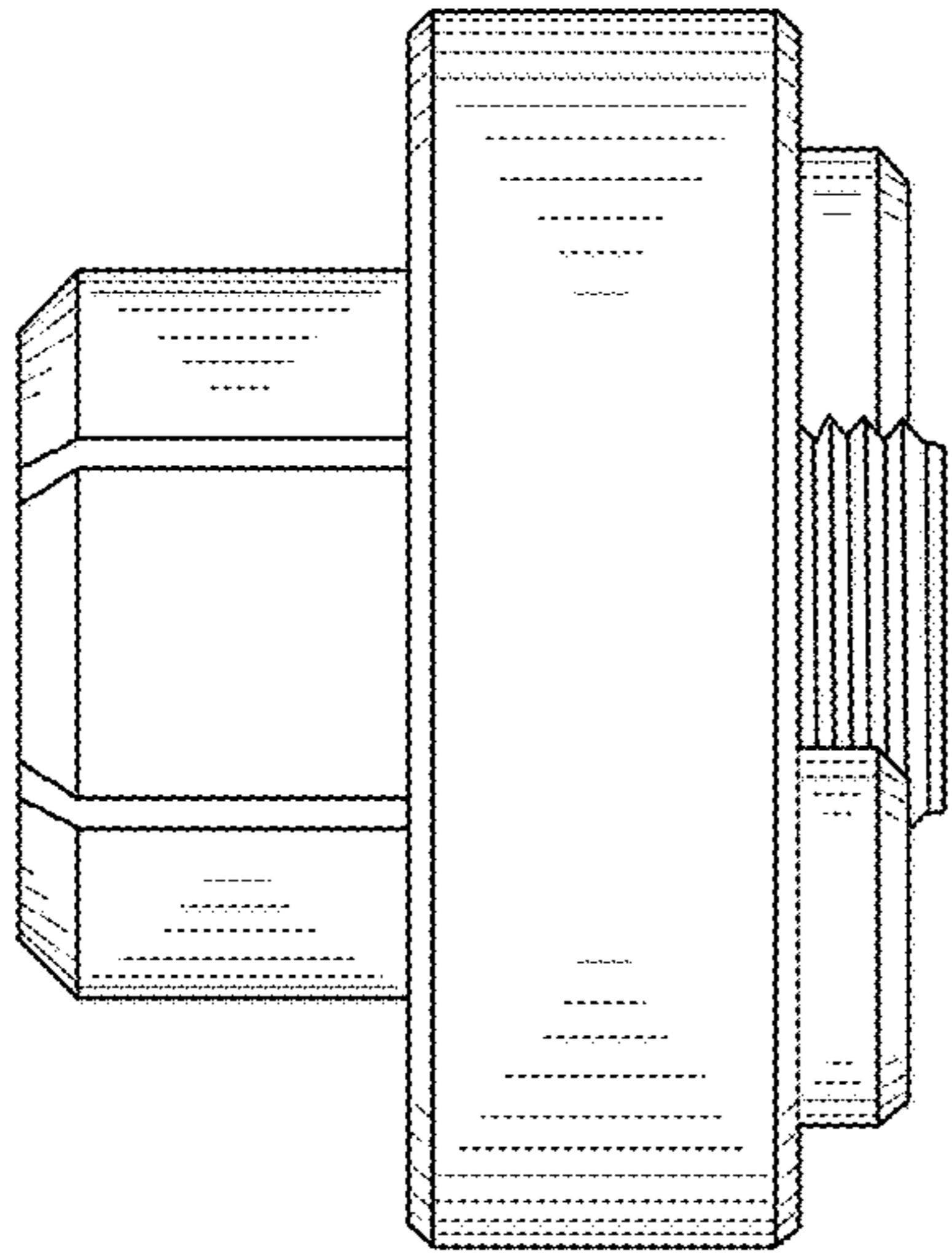


FIG. 3

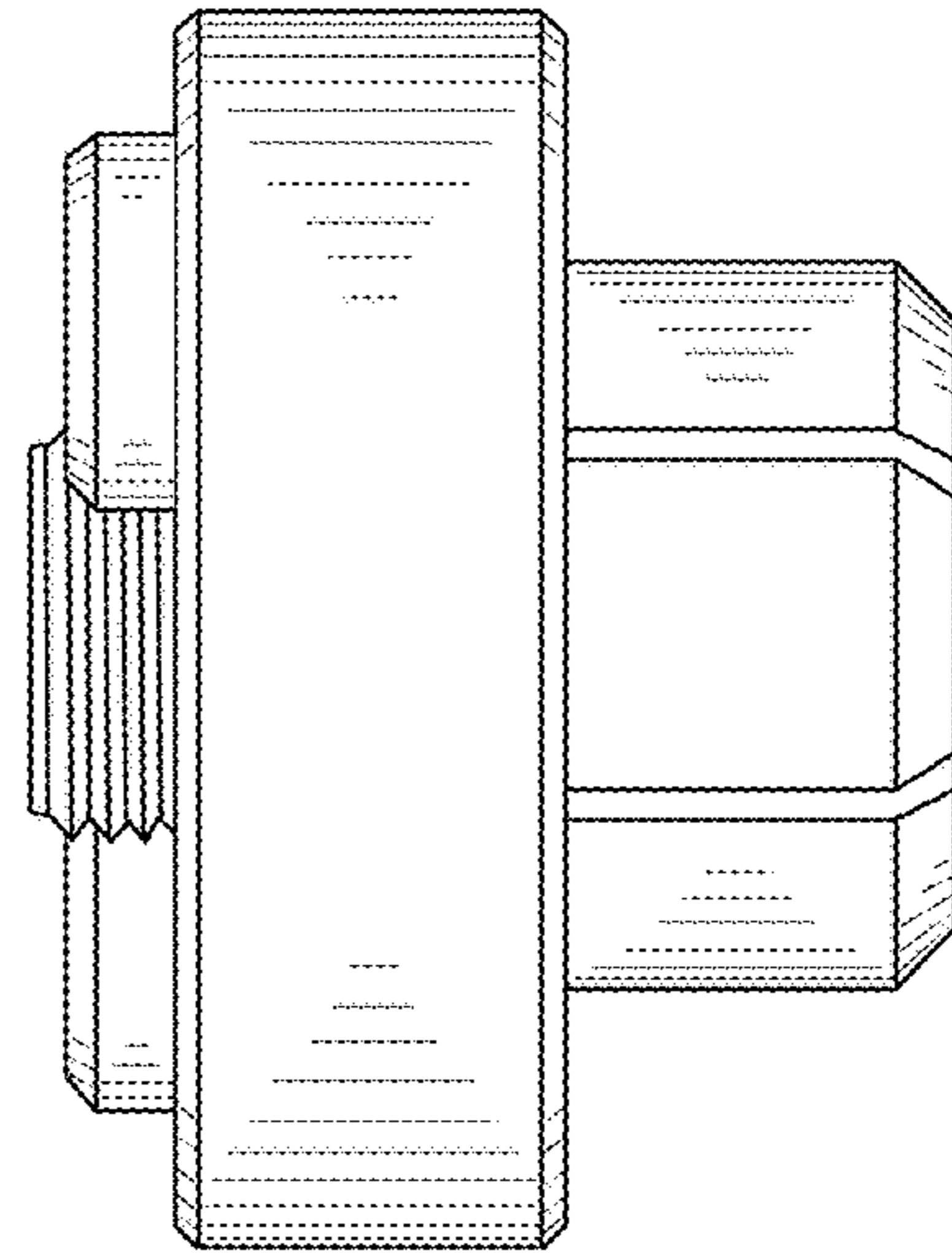


FIG. 4

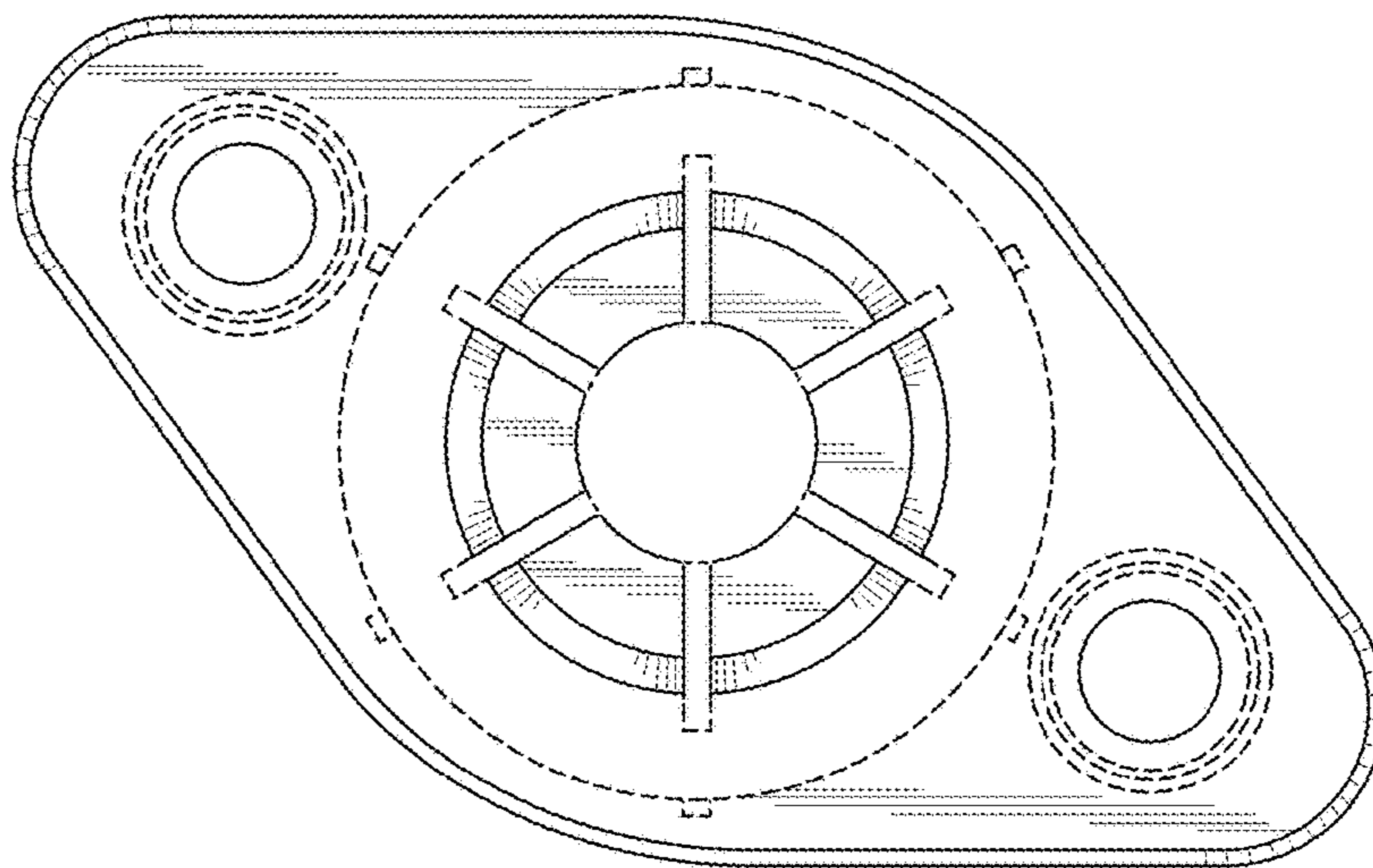


FIG. 5

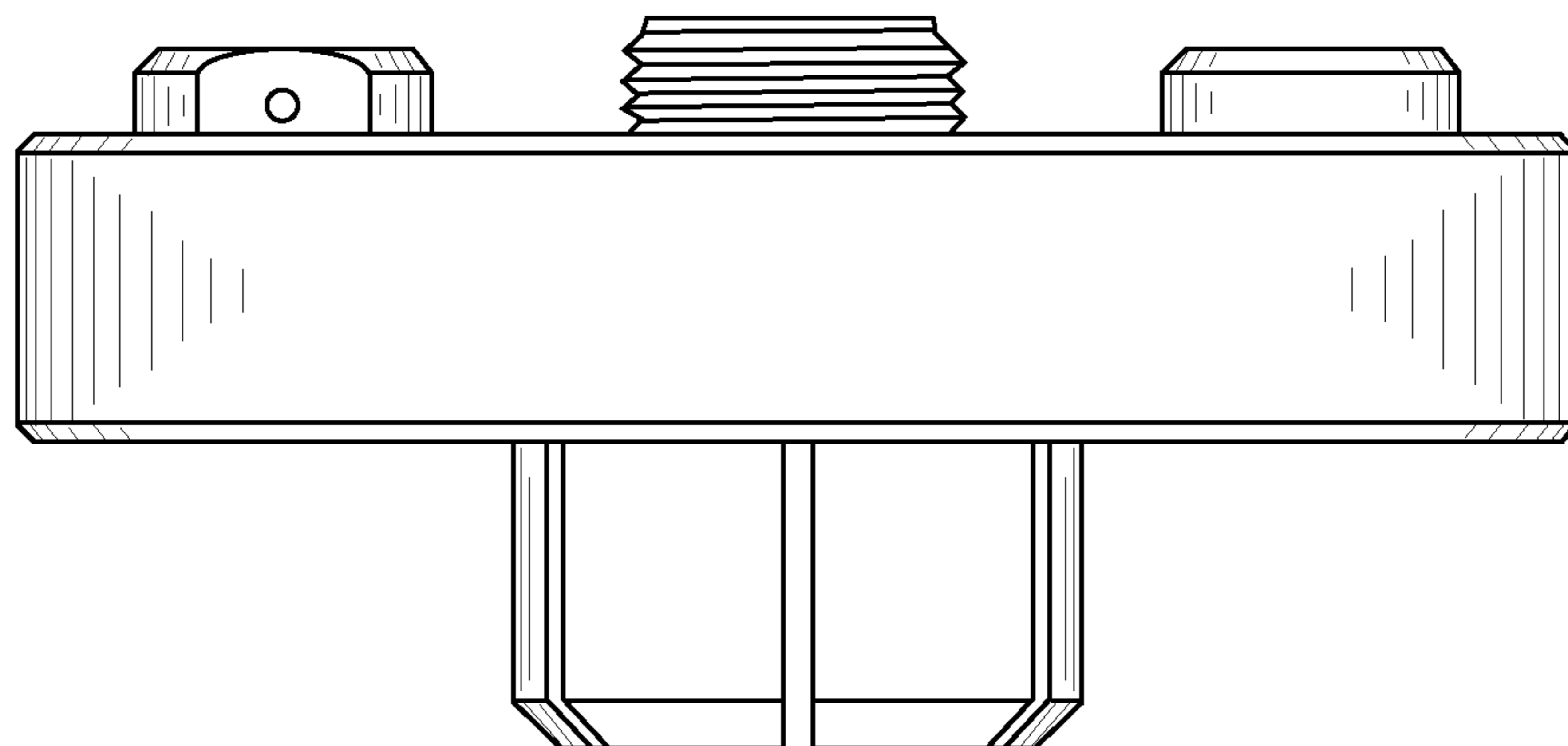


FIG. 6

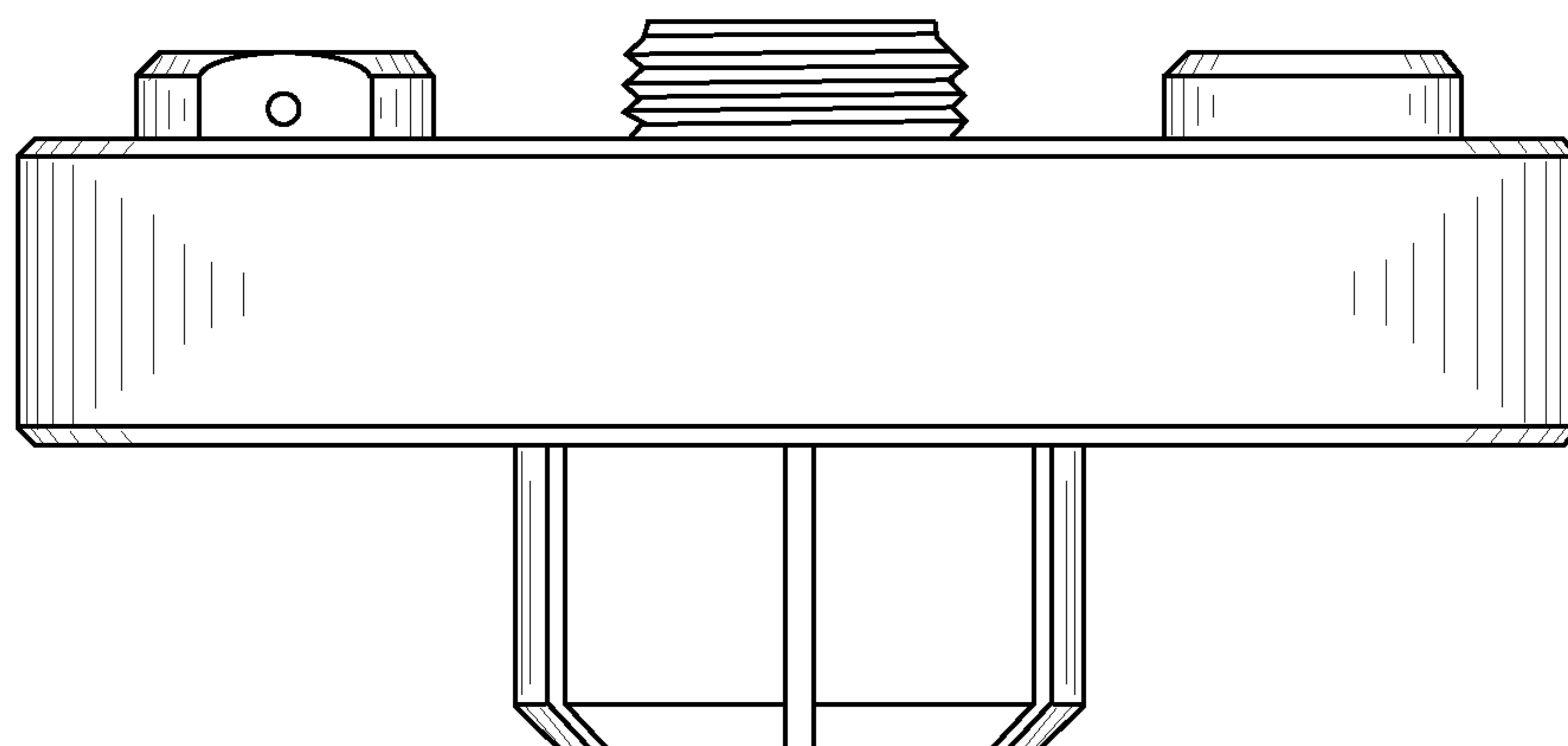


FIG. 7