



US00D779920S

(12) **United States Design Patent**  
**Cahill**

(10) **Patent No.:** **US D779,920 S**

(45) **Date of Patent:** **\*\* Feb. 28, 2017**

- (54) **ELECTRONIC DOOR LOCK**
- (71) Applicant: **Jeff Cahill**, Castle Rock, CO (US)
- (72) Inventor: **Jeff Cahill**, Castle Rock, CO (US)
- (\*\*) Term: **15 Years**
- (21) Appl. No.: **29/551,050**
- (22) Filed: **Jan. 10, 2016**
- (51) **LOC (10) Cl.** ..... **08-07**
- (52) **U.S. Cl.**  
USPC ..... **D8/331; D8/330; D8/350**
- (58) **Field of Classification Search**  
USPC ..... D8/330, 331, 334, 300, 301, 350; 70/14,  
70/20-22, 57, 57.1, 284-286, 314,  
DIG. 44, 70/266, 277, 271; 292/288-292  
CPC ..... E05B 9/00; E05B 9/02; E05B 2009/006;  
E05B 49/00; E05B 19/00; E05B  
15/00; E05B 49/02; E05B 17/00; E05B  
3/00  
See application file for complete search history.

- 6,733,050 B1 \* 5/2004 Yao ..... E05B 63/044  
292/137
- 6,828,519 B2 \* 12/2004 Bui ..... H01H 9/02  
174/53
- 7,091,429 B2 \* 8/2006 Case ..... E05B 15/02  
200/314
- 7,984,631 B2 \* 7/2011 Case ..... E05B 15/02  
70/278.1
- 8,141,400 B2 \* 3/2012 Sorensen ..... E05B 47/068  
340/5.54
- D698,222 S \* 1/2014 Guo ..... D8/330
- D737,657 S \* 9/2015 Nadgouda ..... D8/331
- D738,186 S \* 9/2015 Nadgouda ..... D8/331
- D752,946 S \* 4/2016 Shen ..... D8/330
- D766,067 S \* 9/2016 Hyde ..... D8/330

\* cited by examiner

*Primary Examiner* — Prabhakar Deshmukh  
(74) *Attorney, Agent, or Firm* — Lev Ivan Gabriel  
Iwashko

(57) **CLAIM**

The ornamental design for an electronic door lock, as shown and described.

**DESCRIPTION**

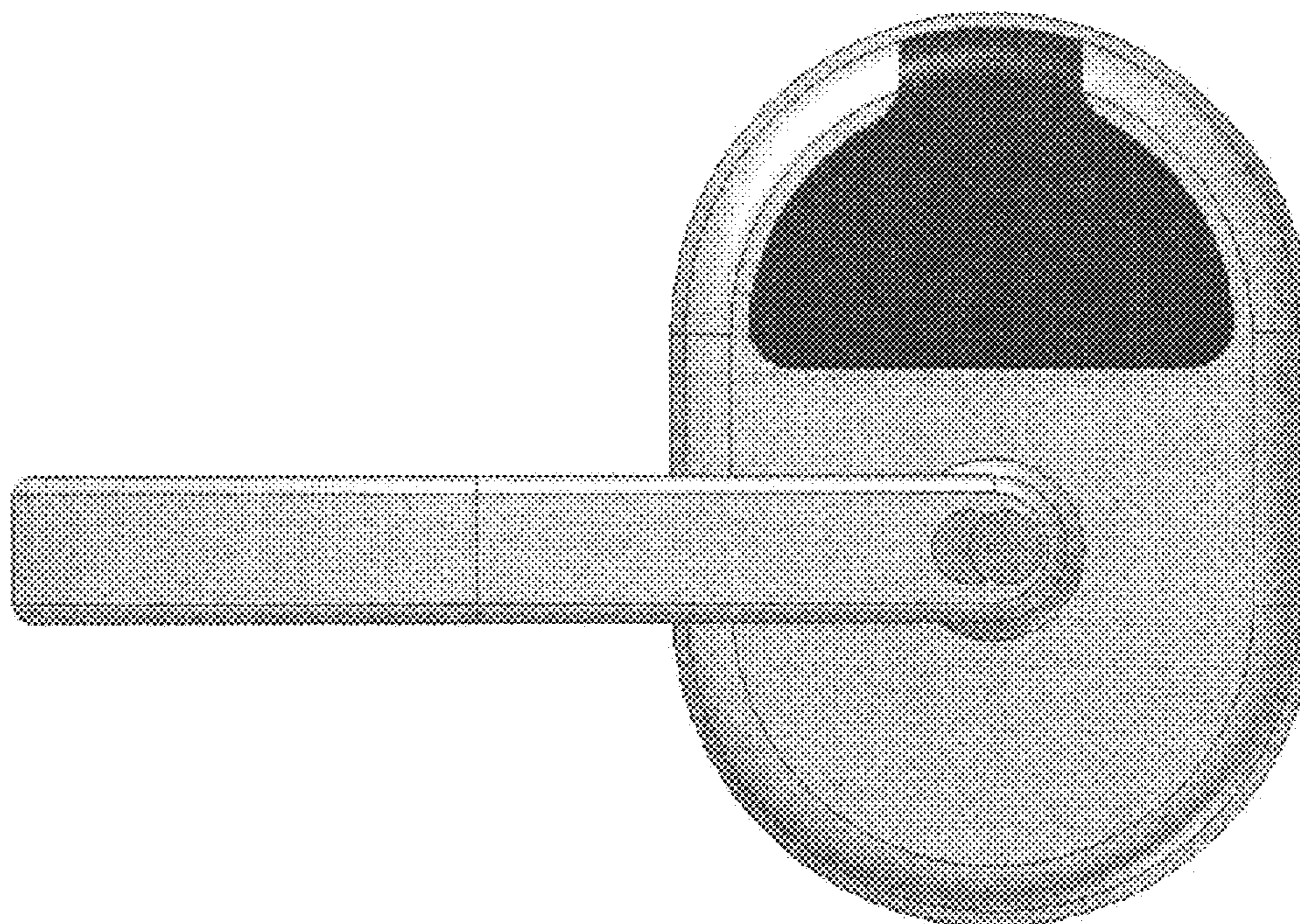
FIG. 1 is a front elevational view of an electronic door lock showing my new design;  
FIG. 2 is a top, front and right perspective view thereof;  
FIG. 3 is a side elevational view thereof; and,  
FIG. 4 is a top plan view thereof.

**1 Claim, 4 Drawing Sheets**

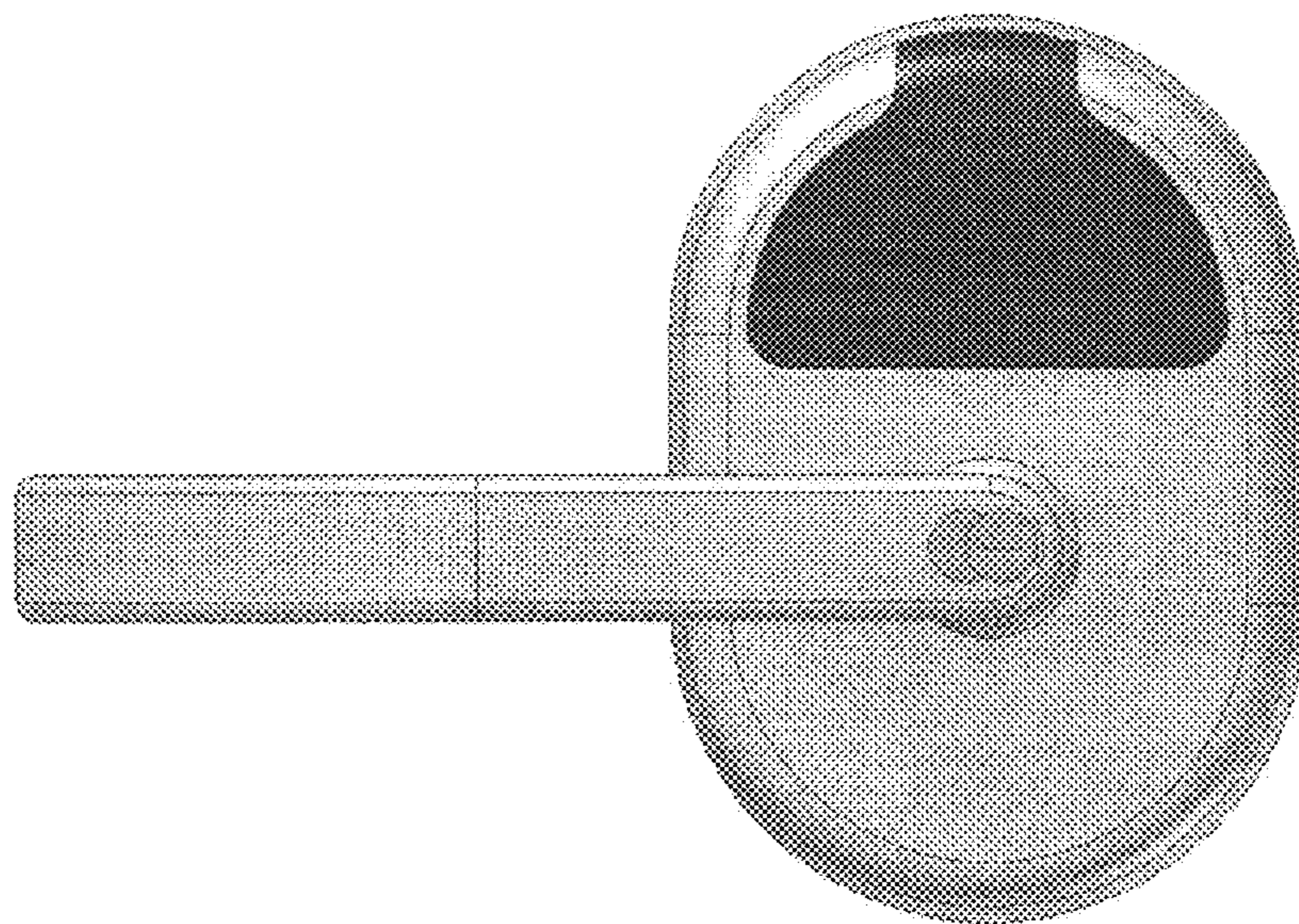
(56) **References Cited**

U.S. PATENT DOCUMENTS

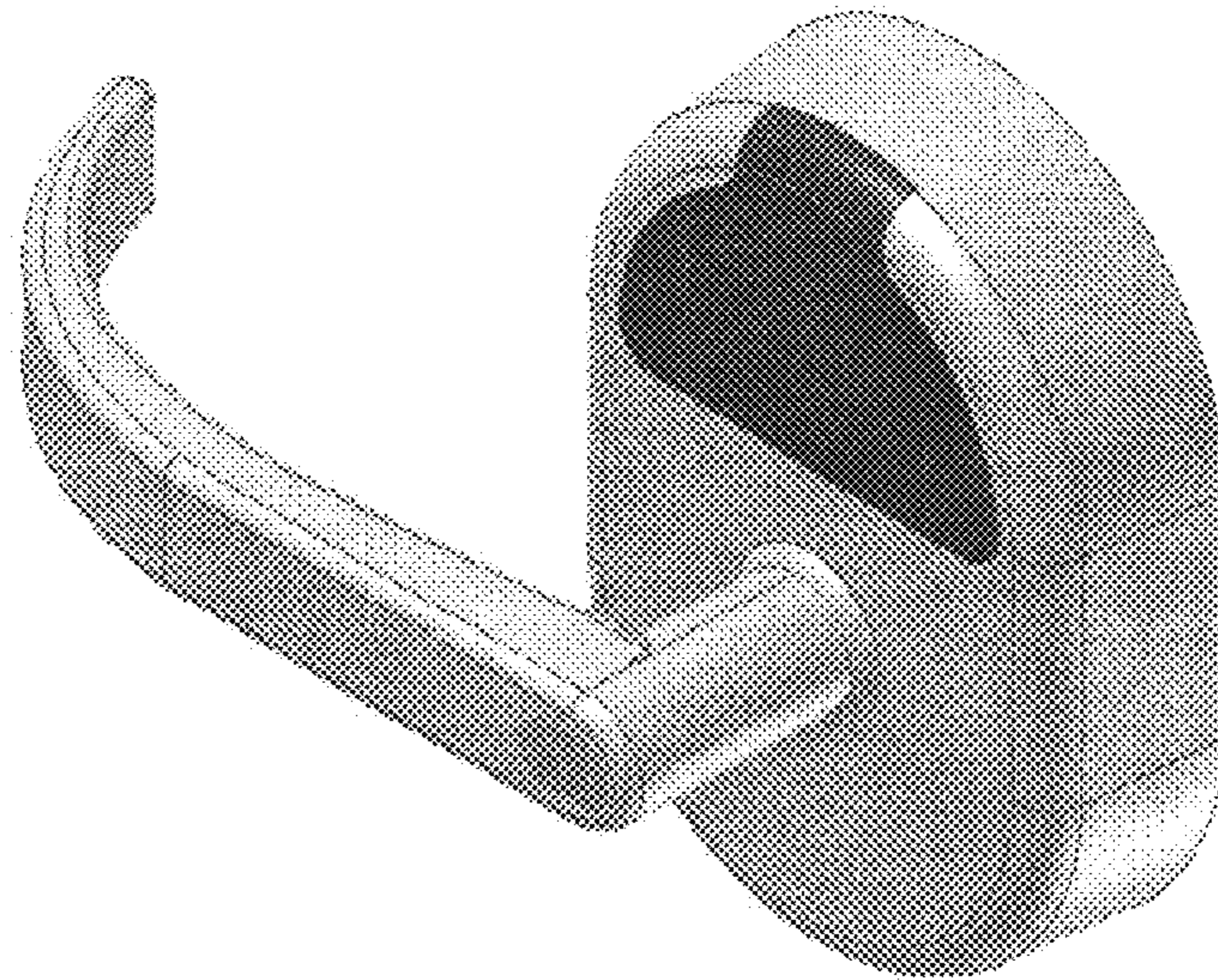
- 3,041,720 A \* 7/1962 Pantas ..... E05B 15/02  
428/542.2
- 5,433,333 A \* 7/1995 Martell ..... E01F 9/615  
220/243
- 6,145,353 A \* 11/2000 Doucet ..... E05B 47/0692  
70/149



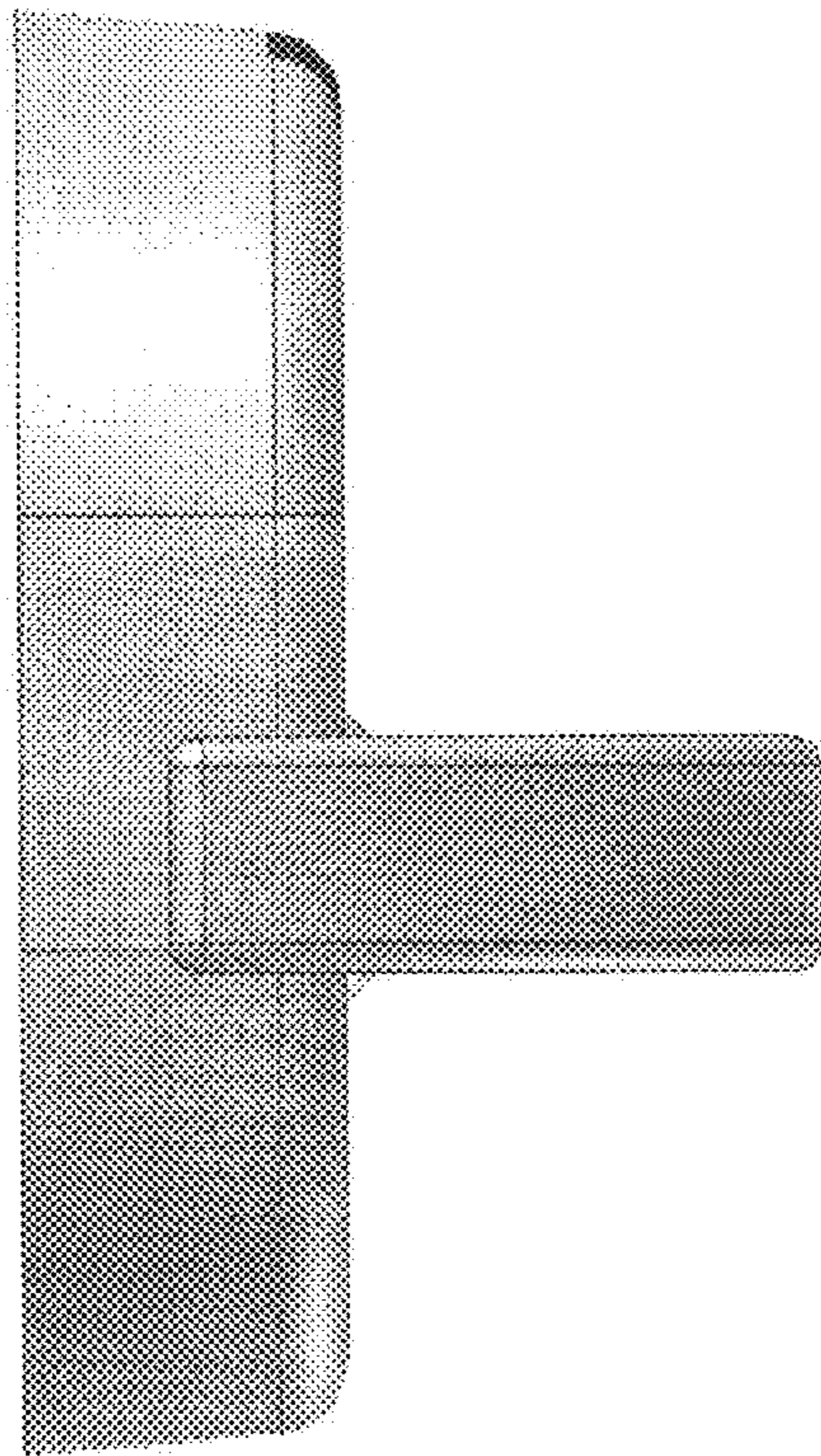
**FIG. 1**



**FIG. 2**



**FIG. 3**



**FIG. 4**

