

US00D779919S

(12) **United States Design Patent**
Shargh

(10) **Patent No.:** **US D779,919 S**

(45) **Date of Patent:** **** Feb. 28, 2017**

(54) **HOUSING FOR A DIGITAL DEADBOLT LOCK**

(71) Applicant: **HAMPTON PRODUCTS INTERNATIONAL CORPORATION**,
Foothill Ranch, CA (US)

(72) Inventor: **Hossein Shargh**, Rancho Santa
Margarita, CA (US)

(73) Assignee: **HAMPTON PRODUCTS INTERNATIONAL CORPORATION**,
Foothill Ranch, CA (US)

(**) Term: **15 Years**

(21) Appl. No.: **29/550,457**

(22) Filed: **Jan. 4, 2016**

(51) **LOC (10) Cl.** **08-07**

(52) **U.S. Cl.**
USPC **D8/331; D8/330; D8/350**

(58) **Field of Classification Search**
USPC D8/330, 331, 334, 300, 301, 350; 70/14,
70/20-22, 57, 57.1, 284-286, 314,
70/DIG. 44, 266, 277, 271; 292/288-292
CPC E05B 9/00; E05B 9/02; E05B 2009/006;
E05B 49/00; E05B 19/00; E05B
15/00; E05B 49/02; E05B 17/00; E05B
3/00

See application file for complete search history.

(56) **References Cited**

U.S. PATENT DOCUMENTS

3,041,720 A * 7/1962 Pantas E05B 15/02
428/542.2
5,433,333 A * 7/1995 Martell E01F 9/615
220/243
6,145,353 A * 11/2000 Doucet E05B 47/0692
70/149

D471,786 S * 3/2003 Ellis D8/350
6,733,050 B1 * 5/2004 Yao E05B 63/044
292/137
6,828,519 B2 * 12/2004 Bui H01H 9/02
174/53
7,091,429 B2 * 8/2006 Case E05B 15/02
200/314
D581,246 S * 11/2008 Conway D8/330
7,984,631 B2 * 7/2011 Case E05B 15/02
70/278.1

(Continued)

Primary Examiner — Prabhakar Deshmukh

(74) *Attorney, Agent, or Firm* — Klein, O'Neill & Singh,
LLP

(57) **CLAIM**

The ornamental design for a housing for a digital deadbolt lock, as shown and described.

DESCRIPTION

FIG. 1 is a front elevation view of a housing for a digital deadbolt lock, in accordance with my new design;

FIG. 2 is a side elevation view of the housing for a digital deadbolt lock shown in FIG. 1, taken from the left side of FIG. 1;

FIG. 3 is a side elevational view of the housing for a digital deadbolt lock shown in FIG. 1, taken from the right side of FIG. 1;

FIG. 4 is a rear elevational view of the housing for a digital deadbolt lock shown in FIG. 1;

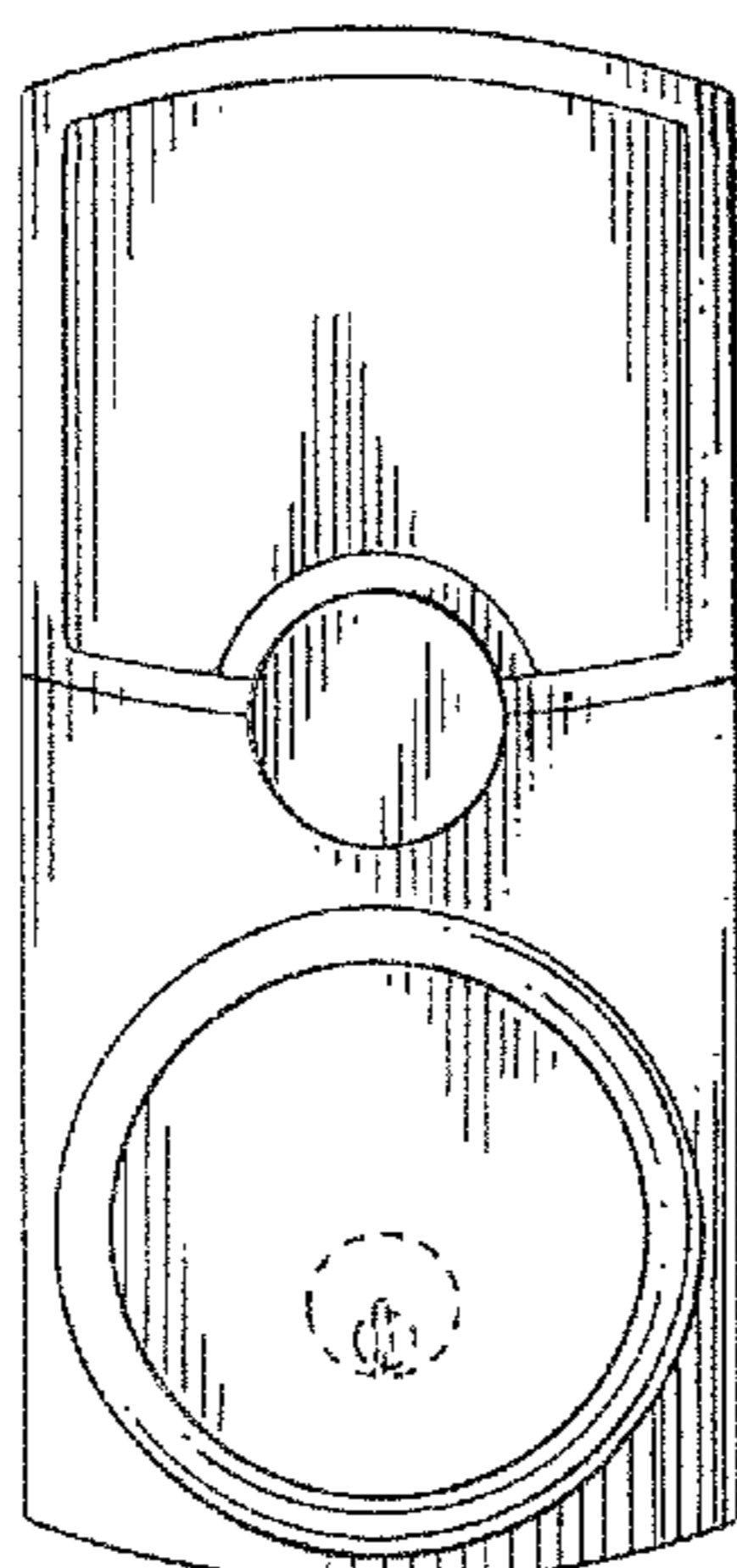
FIG. 5 is a top plan view of the housing for a digital deadbolt lock shown in FIG. 1;

FIG. 6 is a bottom plan view of the housing for a digital deadbolt lock of FIG. 1; and,

FIG. 7 is a perspective view of the housing for a digital deadbolt lock shown in FIG. 1, taken from the front, top, and right side of FIG. 1.

The broken lines illustrate environmental structure which forms no part of the claimed design.

1 Claim, 3 Drawing Sheets



(56)

References Cited

U.S. PATENT DOCUMENTS

8,141,400 B2 *	3/2012	Sorensen	E05B 47/068
				340/5.54
D682,658 S *	5/2013	Cramer	D8/331
D737,661 S *	9/2015	Chan	D8/330
D766,067 S *	9/2016	Hyde	D8/330

* cited by examiner

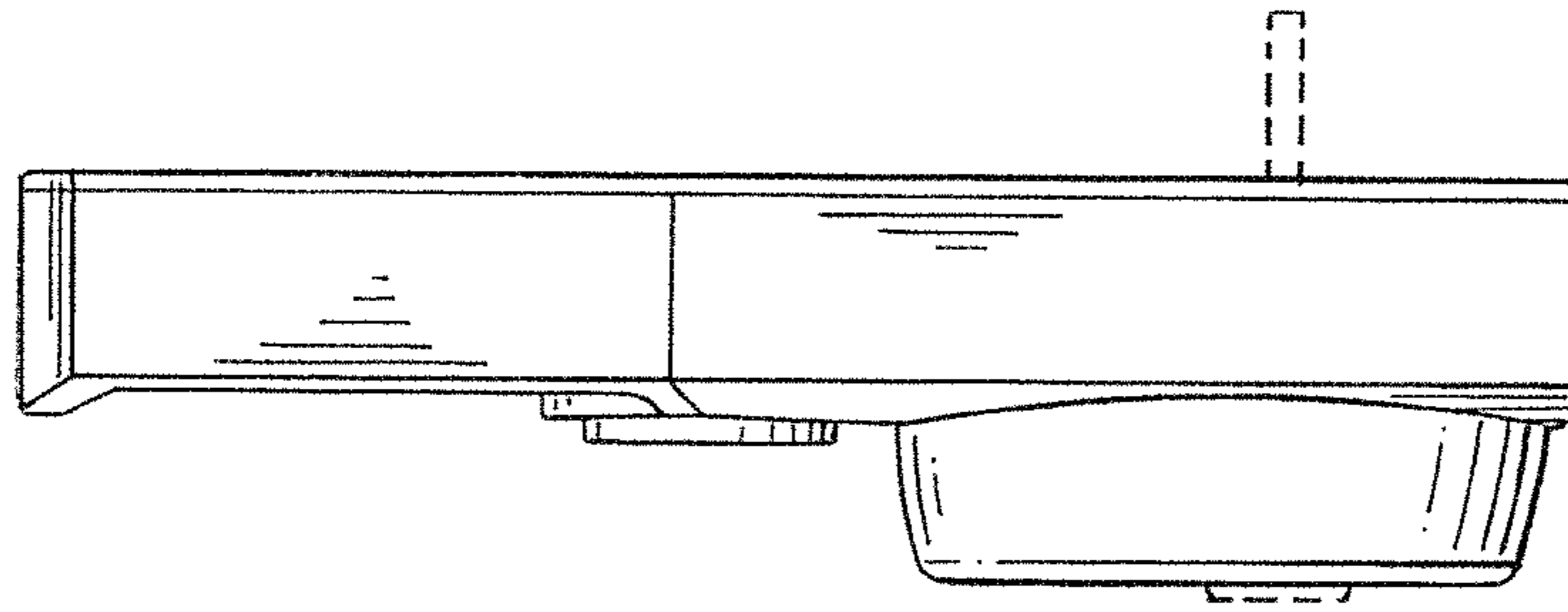


FIG. 3

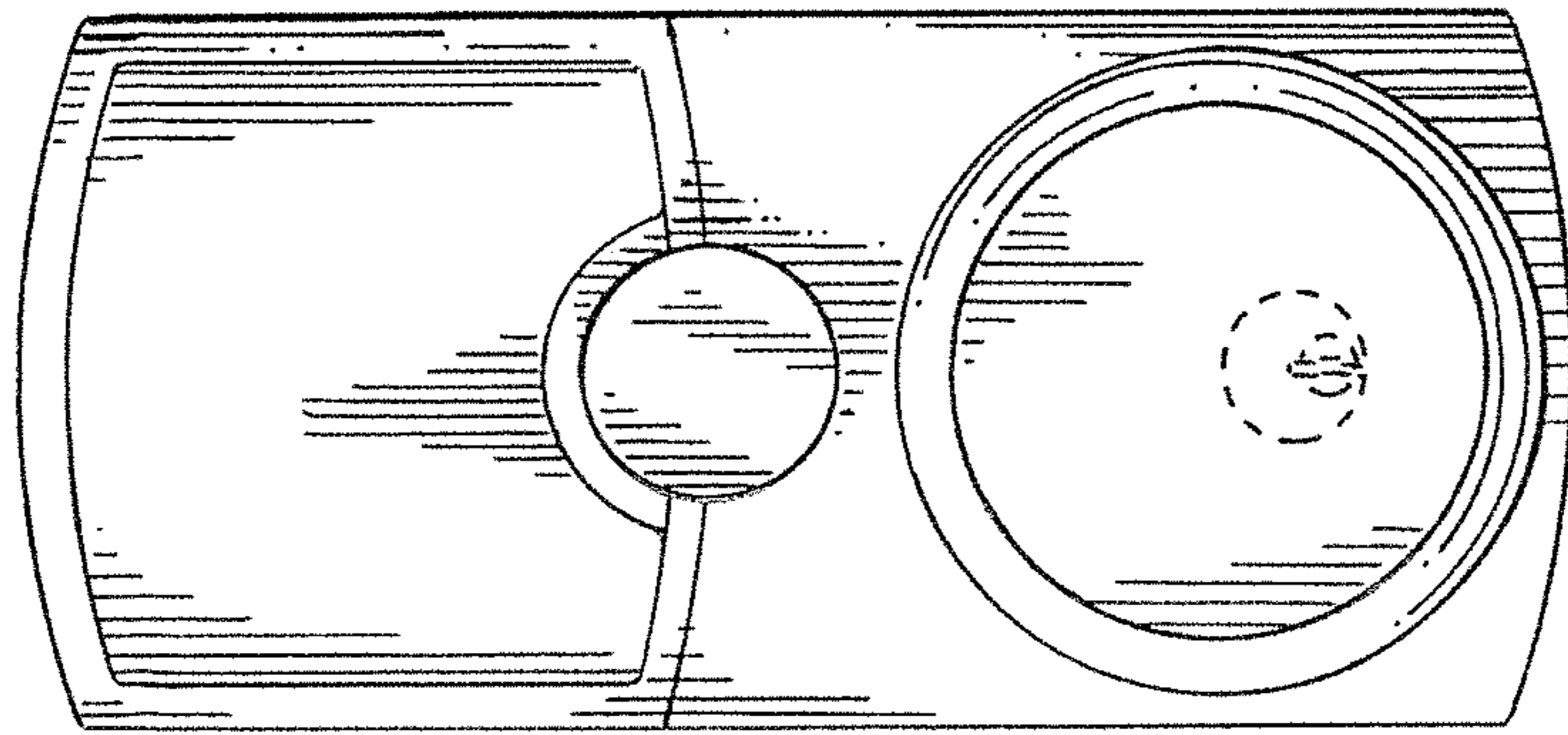


FIG. 1

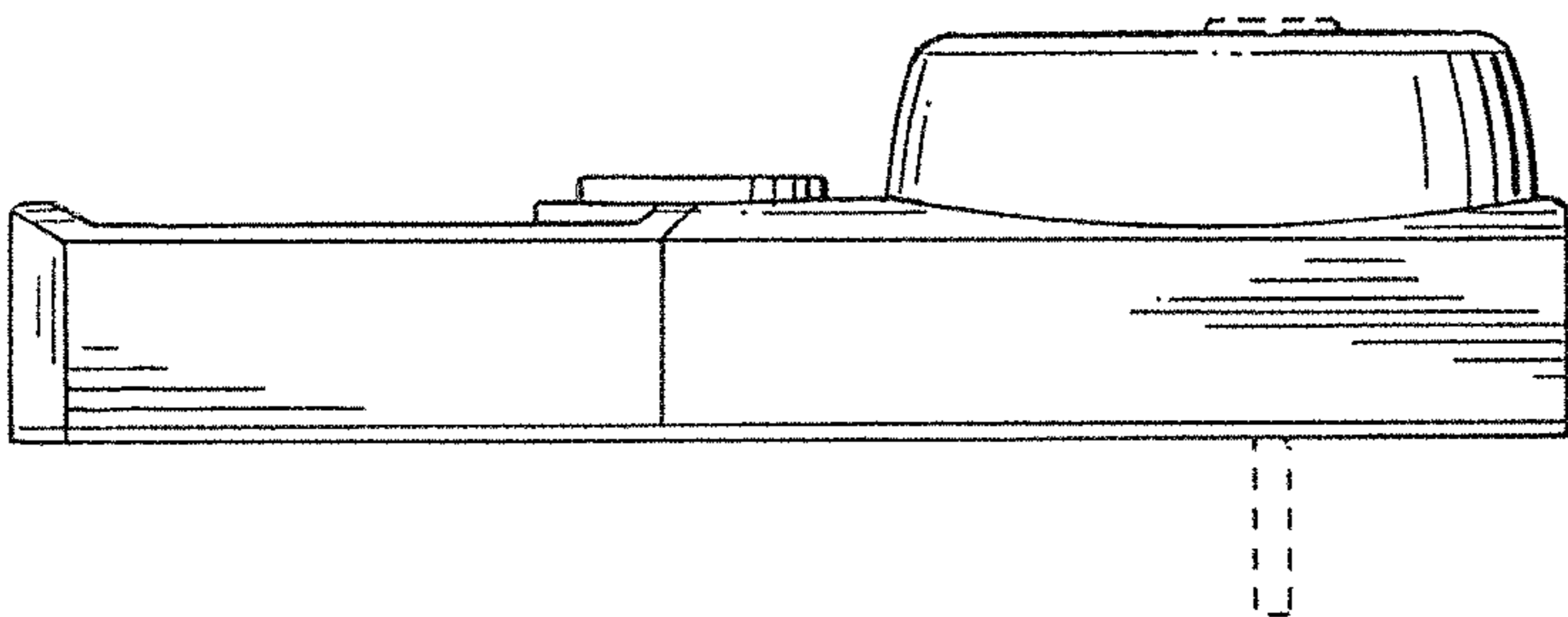


FIG. 2

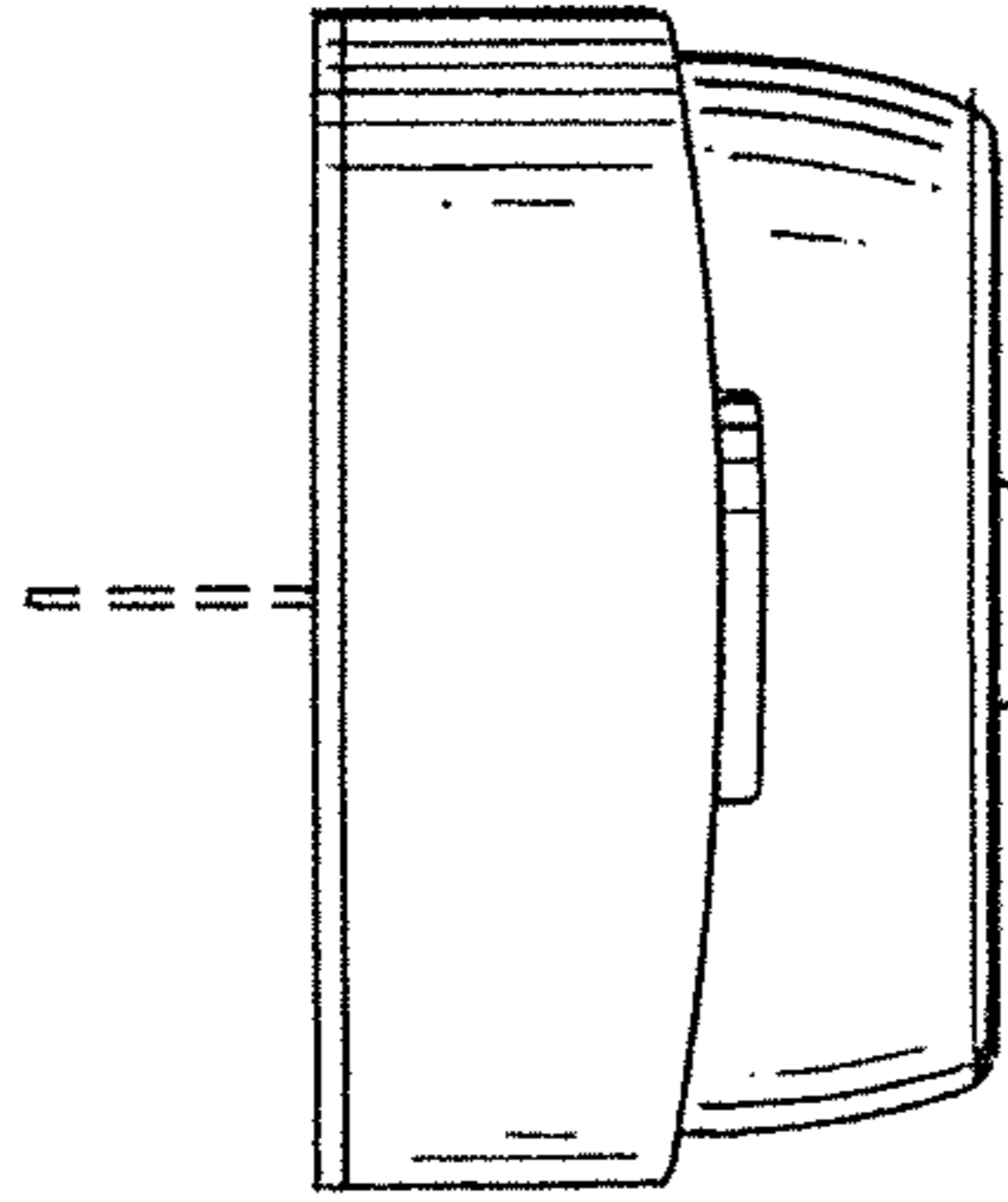


FIG. 5

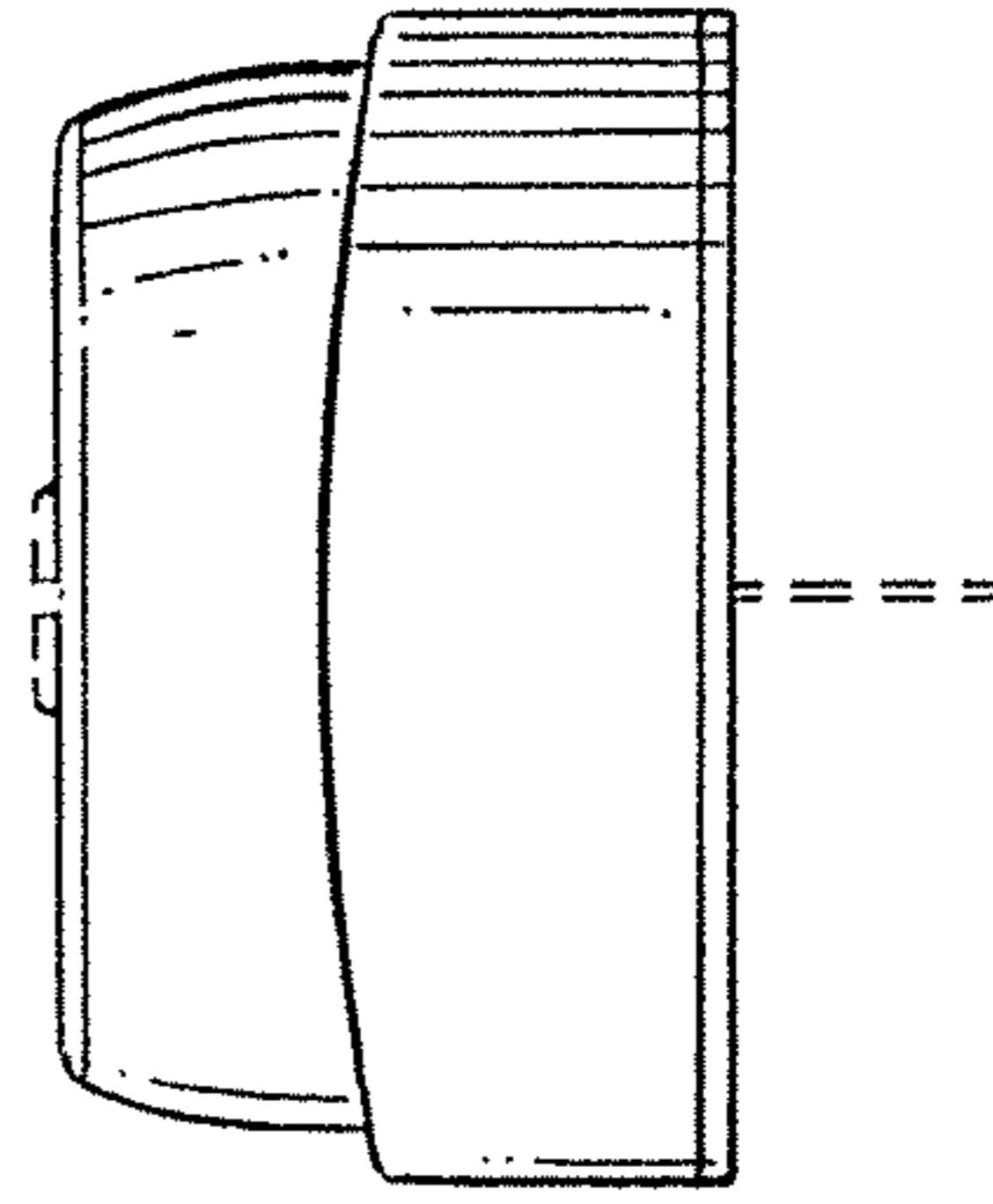


FIG. 6

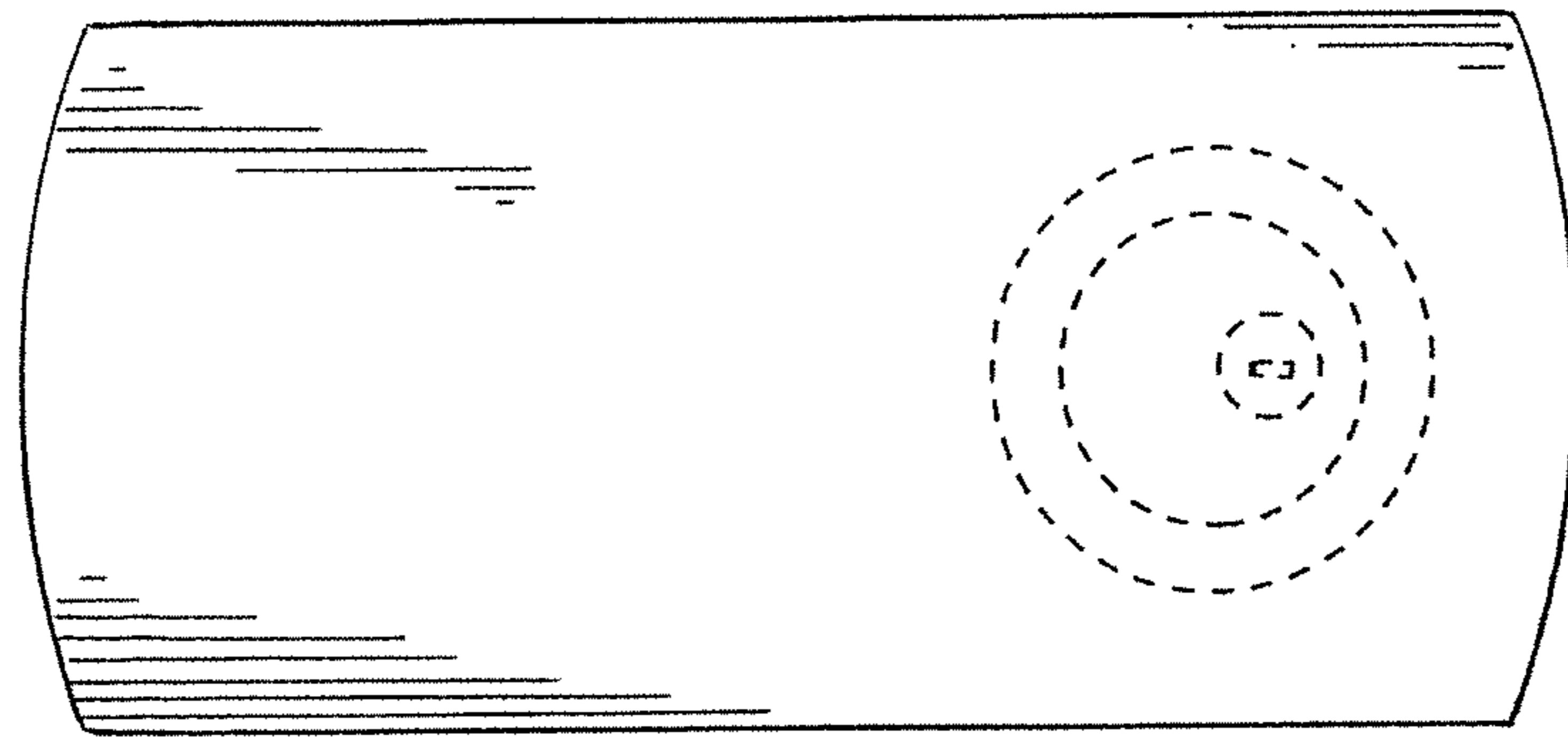


FIG. 4

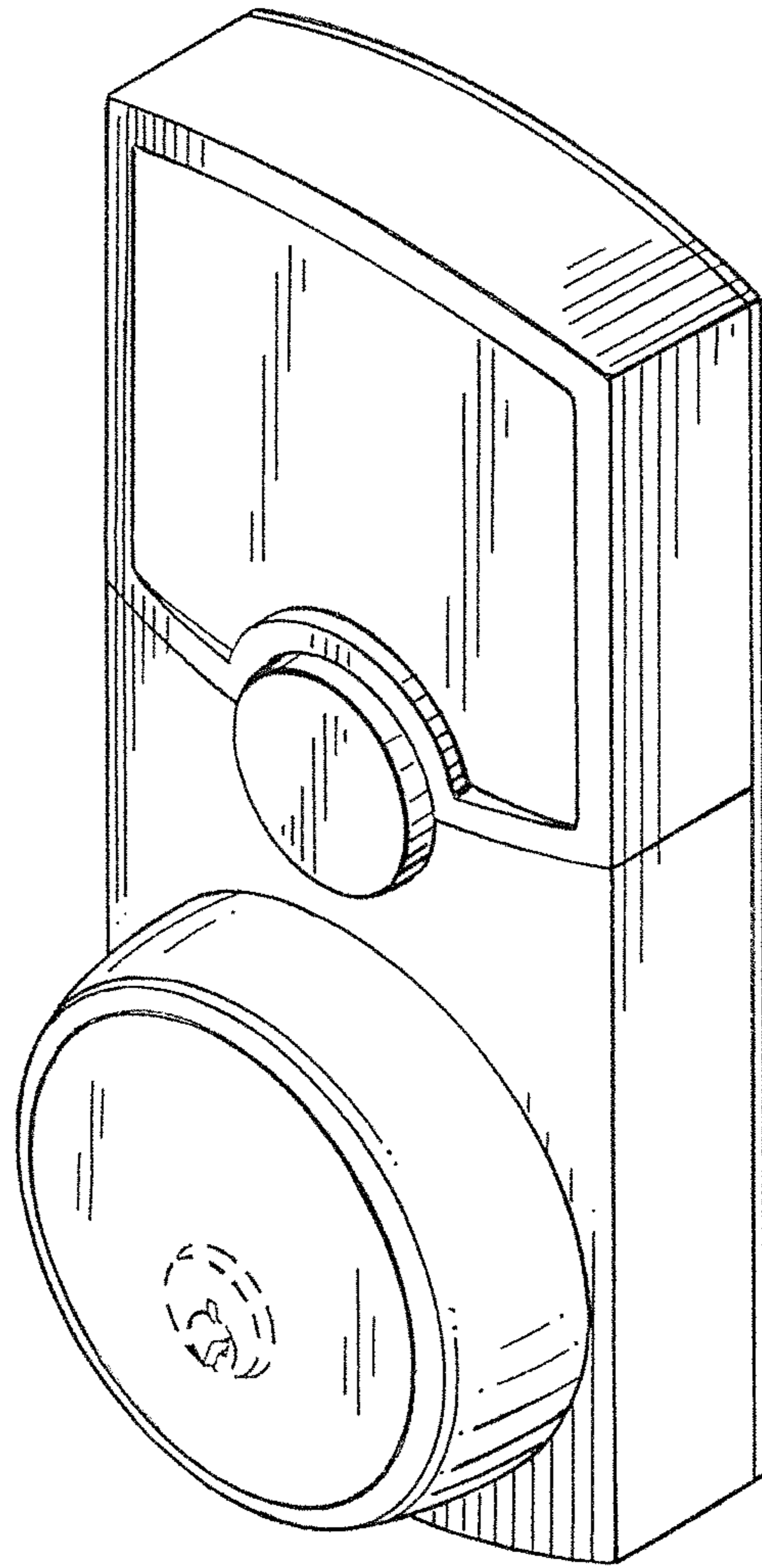


FIG. 7