



US00D779918S

(12) **United States Design Patent**
Lopez

(10) **Patent No.:** **US D779,918 S**

(45) **Date of Patent:** **** Feb. 28, 2017**

(54) **STORAGE COMPARTMENT LATCH**

(71) Applicant: **Alfanzo Lopez**, Anaheim, CA (US)

(72) Inventor: **Alfanzo Lopez**, Anaheim, CA (US)

(**) Term: **15 Years**

(21) Appl. No.: **29/543,428**

(22) Filed: **Oct. 23, 2015**

(51) **LOC (10) Cl.** **08-07**

(52) **U.S. Cl.**

USPC **D8/331**

(58) **Field of Classification Search**

USPC D8/330, 331, 343, 349, 354, 400, 499;
70/14, 51, 52, 58, 69, 78, 141, 431;
292/340, 341

CPC E05B 3/00; E05B 7/00; E05B 13/00
See application file for complete search history.

(56) **References Cited**

U.S. PATENT DOCUMENTS

- 3,429,153 A * 2/1969 Magyar E05B 83/30
292/210
- 6,347,820 B2 * 2/2002 Subliskey 292/241
- 6,705,136 B2 * 3/2004 Porter E05B 47/0002
109/59 R
- 6,929,295 B2 * 8/2005 Nurenberg E05C 1/10
292/102

- D548,044 S * 8/2007 Tang D8/323
- 7,318,632 B2 * 1/2008 Bidinger E05B 53/001
312/218
- 7,377,139 B1 * 5/2008 Yang E05B 35/007
70/337
- 7,758,097 B2 * 7/2010 Dilley B60R 13/013
296/193.11

* cited by examiner

Primary Examiner — Prabhakar Deshmukh

(74) *Attorney, Agent, or Firm* — The Law Office of Austin Bonderer, PC; Austin Bonderer

(57) **CLAIM**

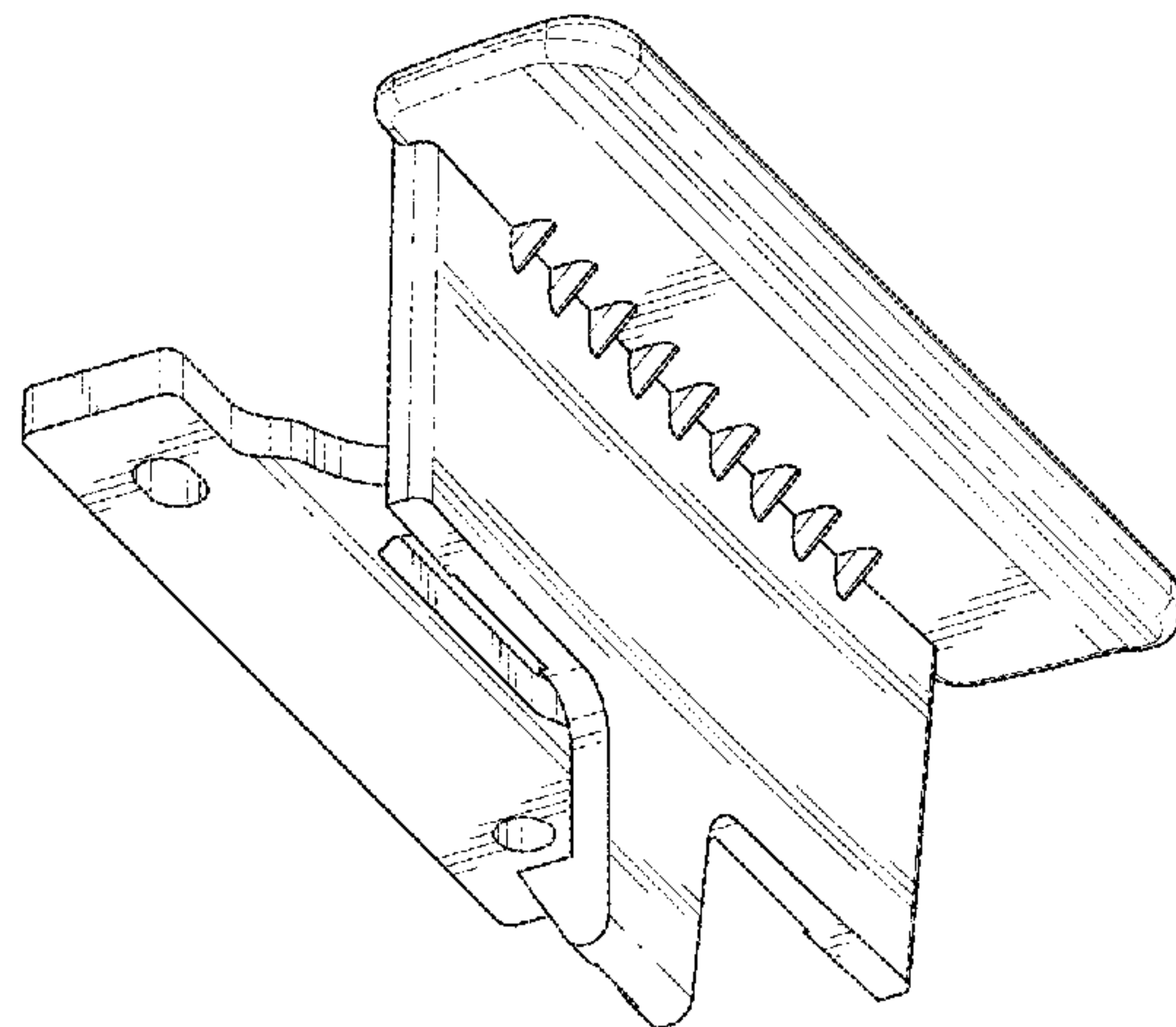
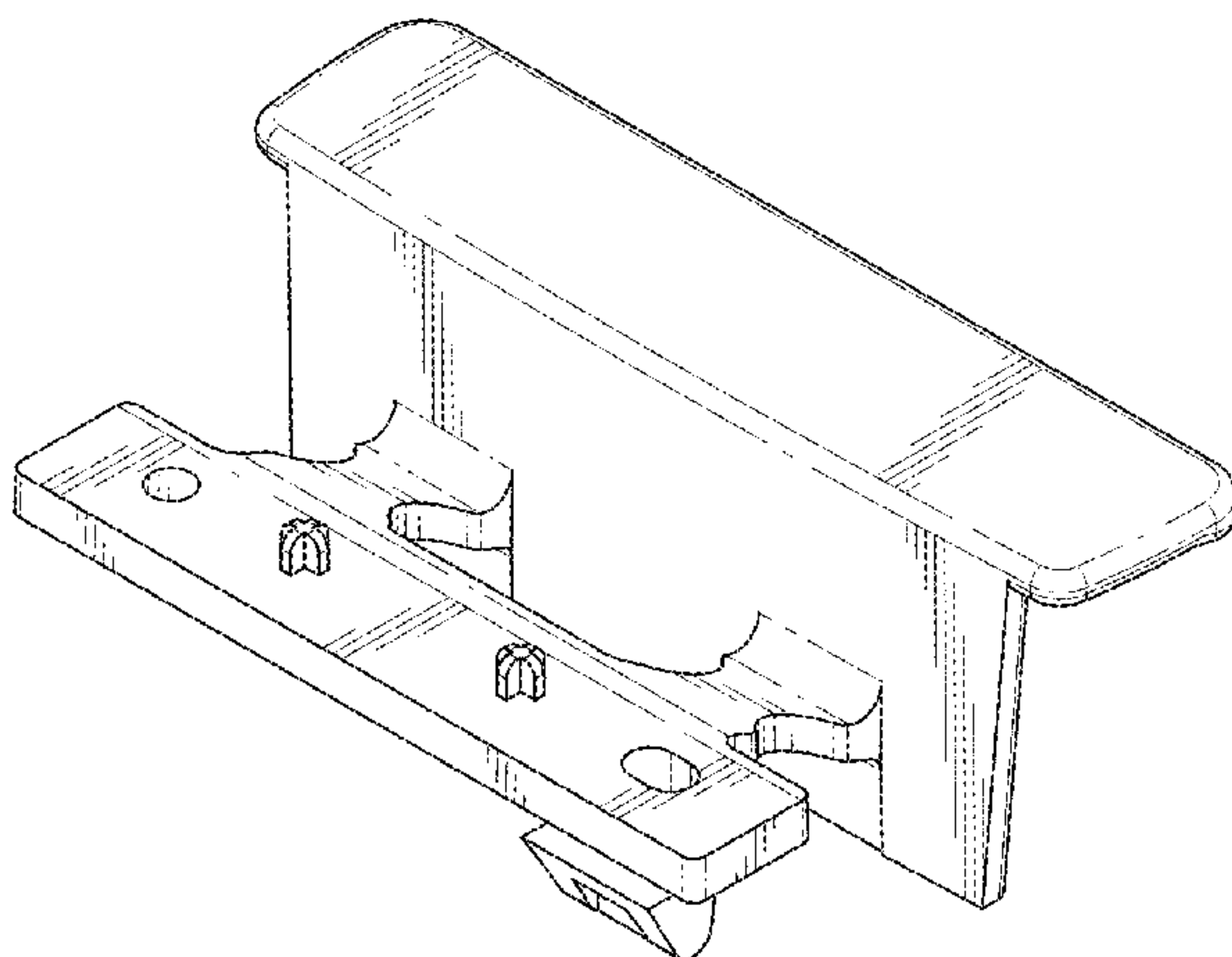
The ornamental design for a storage compartment latch, as shown and described.

DESCRIPTION

FIG. 1 is a perspective view of a storage compartment latch showing my new design, shown in environmental use;
 FIG. 2 is a rear perspective view thereof;
 FIG. 3 is a front perspective view thereof;
 FIG. 4 is a front view thereof;
 FIG. 5 is a rear view thereof
 FIG. 6 is a top view thereof;
 FIG. 7 is a bottom view thereof;
 FIG. 8 is a right side view thereof; and,
 FIG. 9 is a left side view thereof.

The broken lines showing of portions of the storage compartment latch are for the purpose of illustrating environmental structure and form no part of the claimed design.

1 Claim, 5 Drawing Sheets



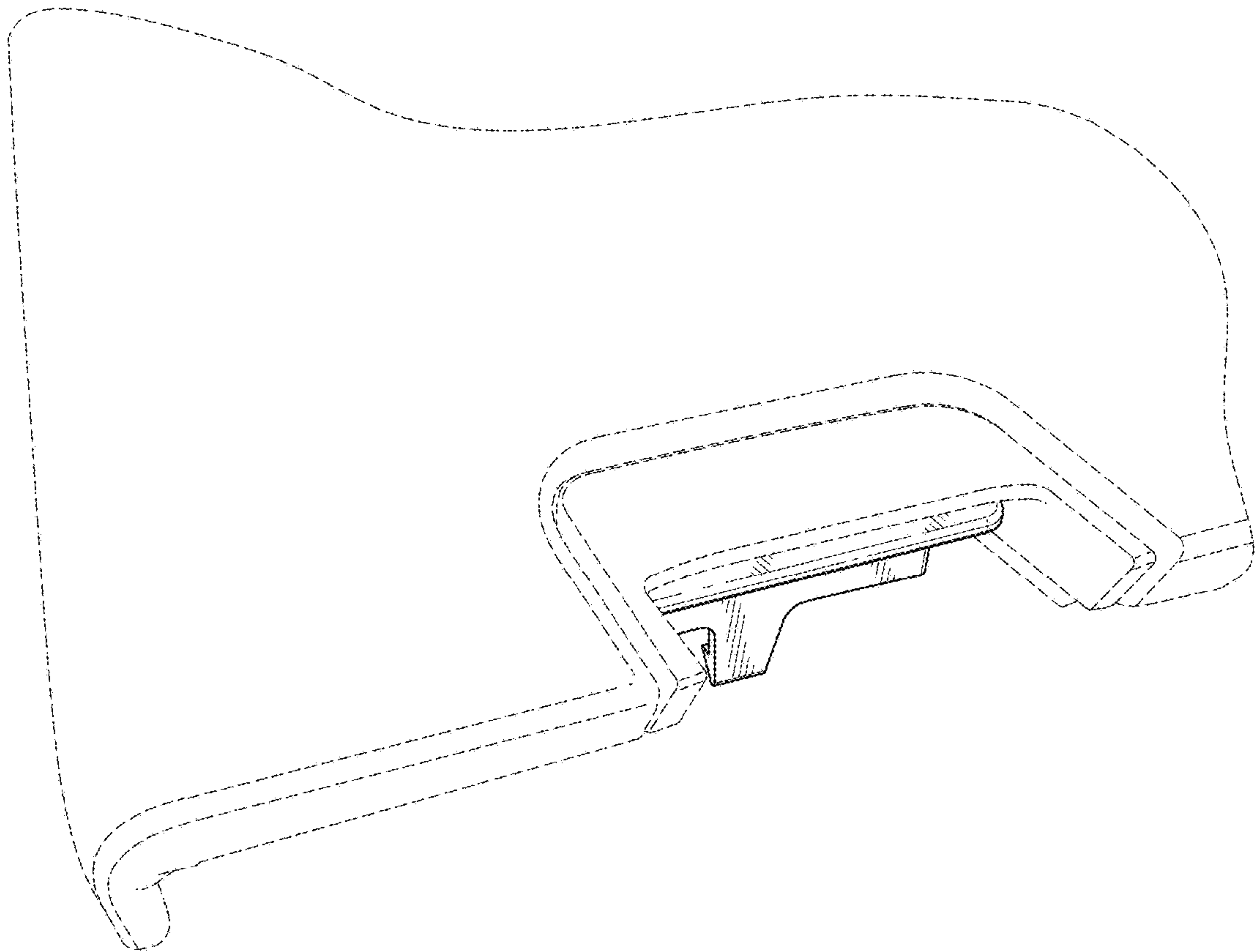


FIG. 1

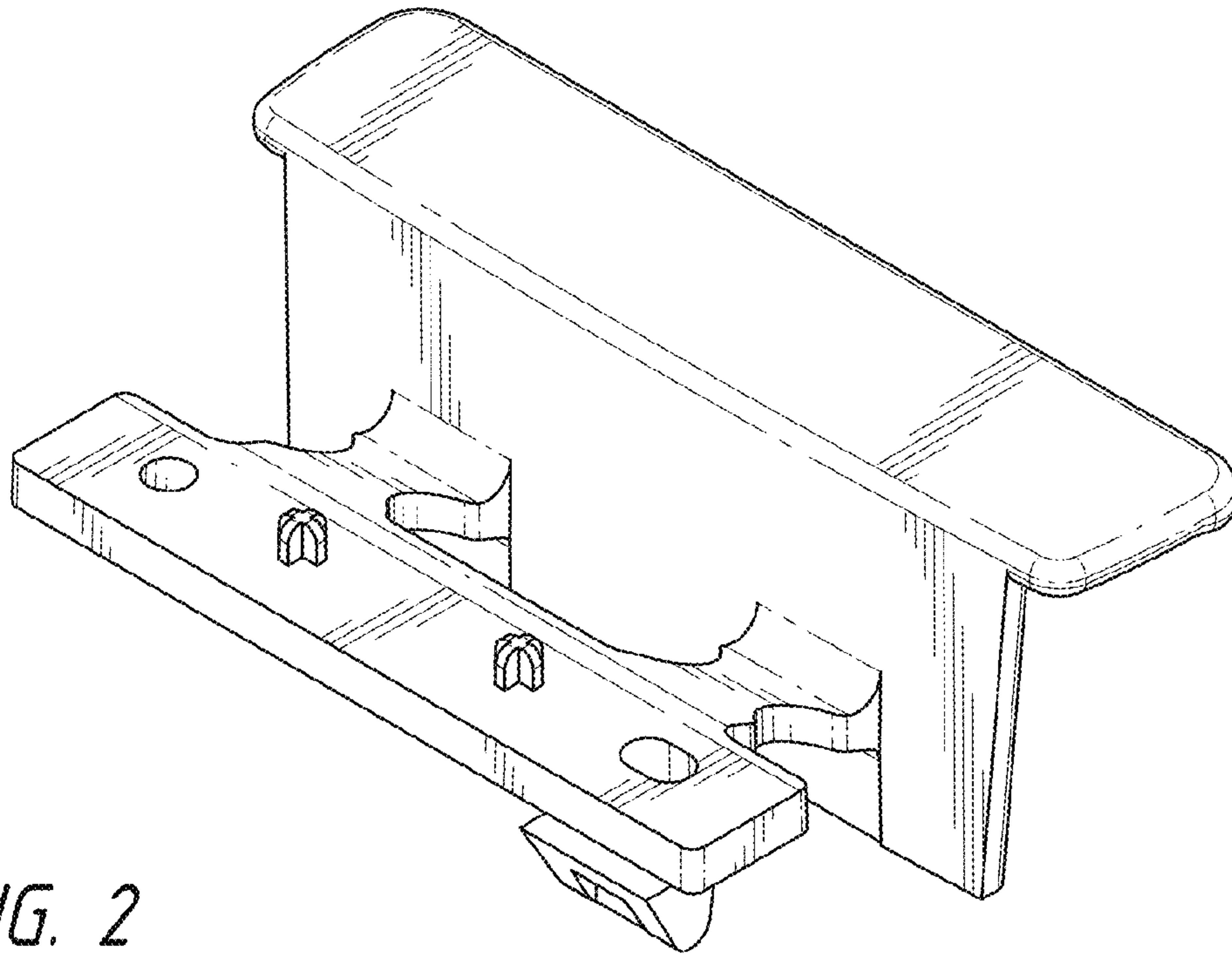


FIG. 2

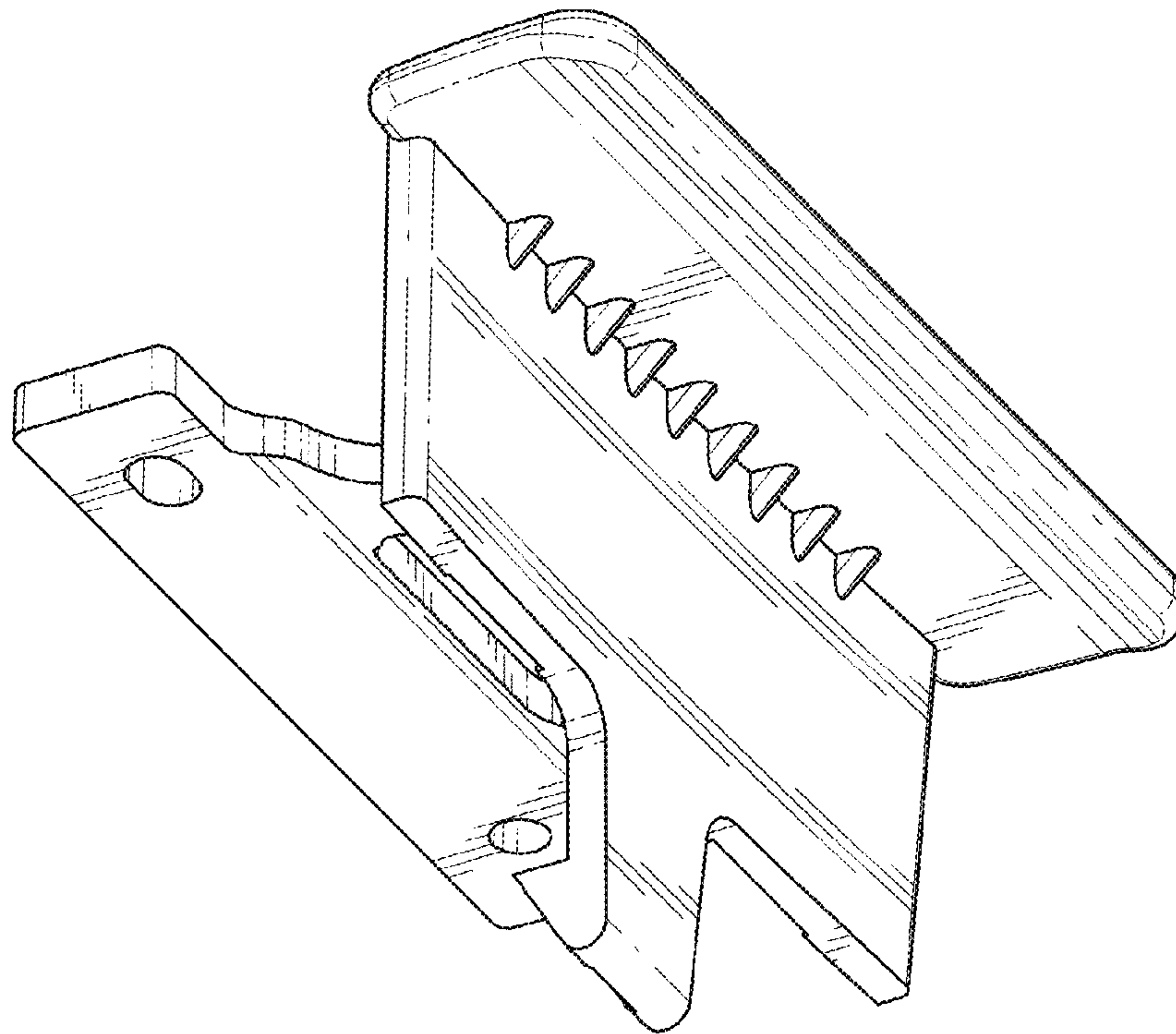


FIG. 3

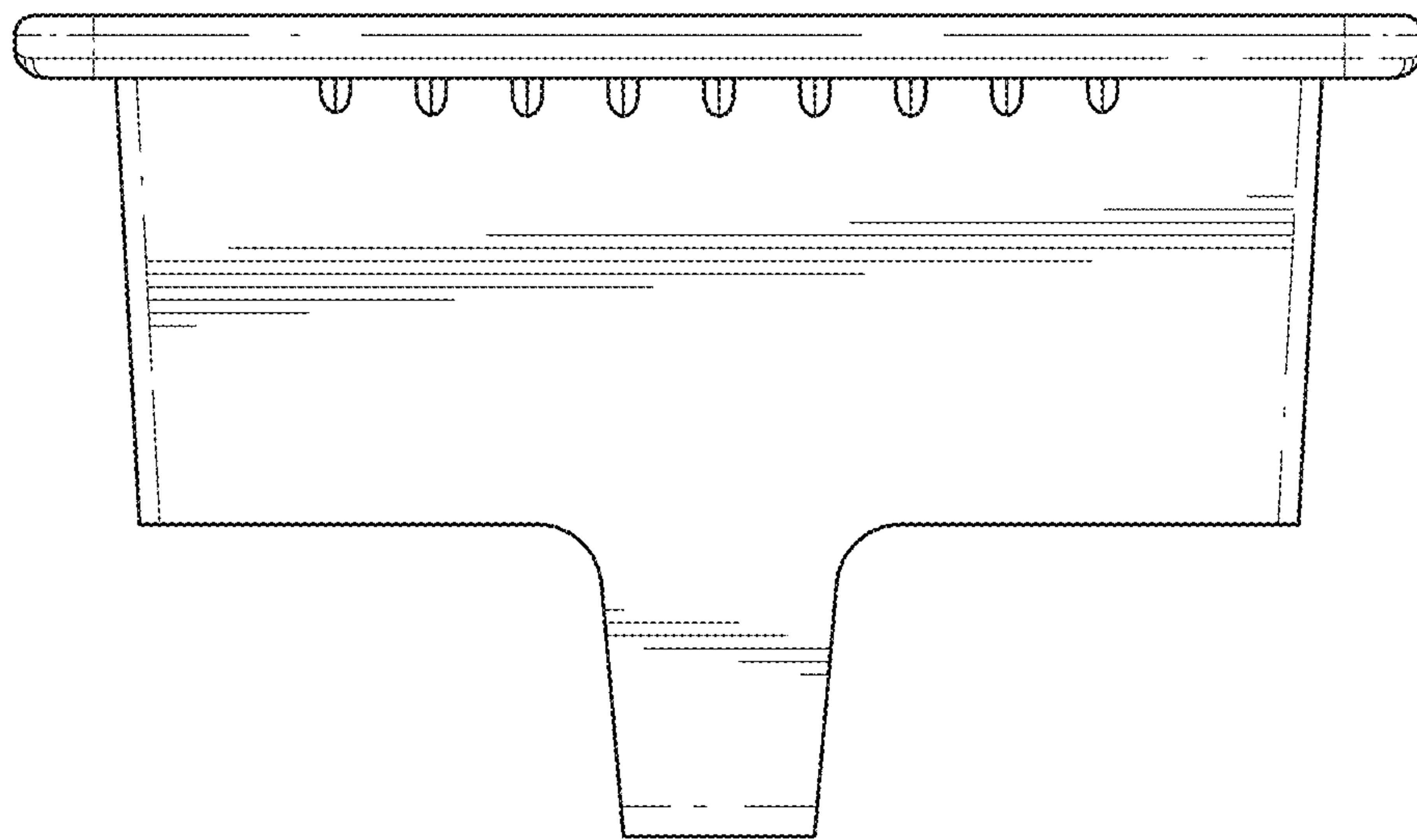


FIG. 4

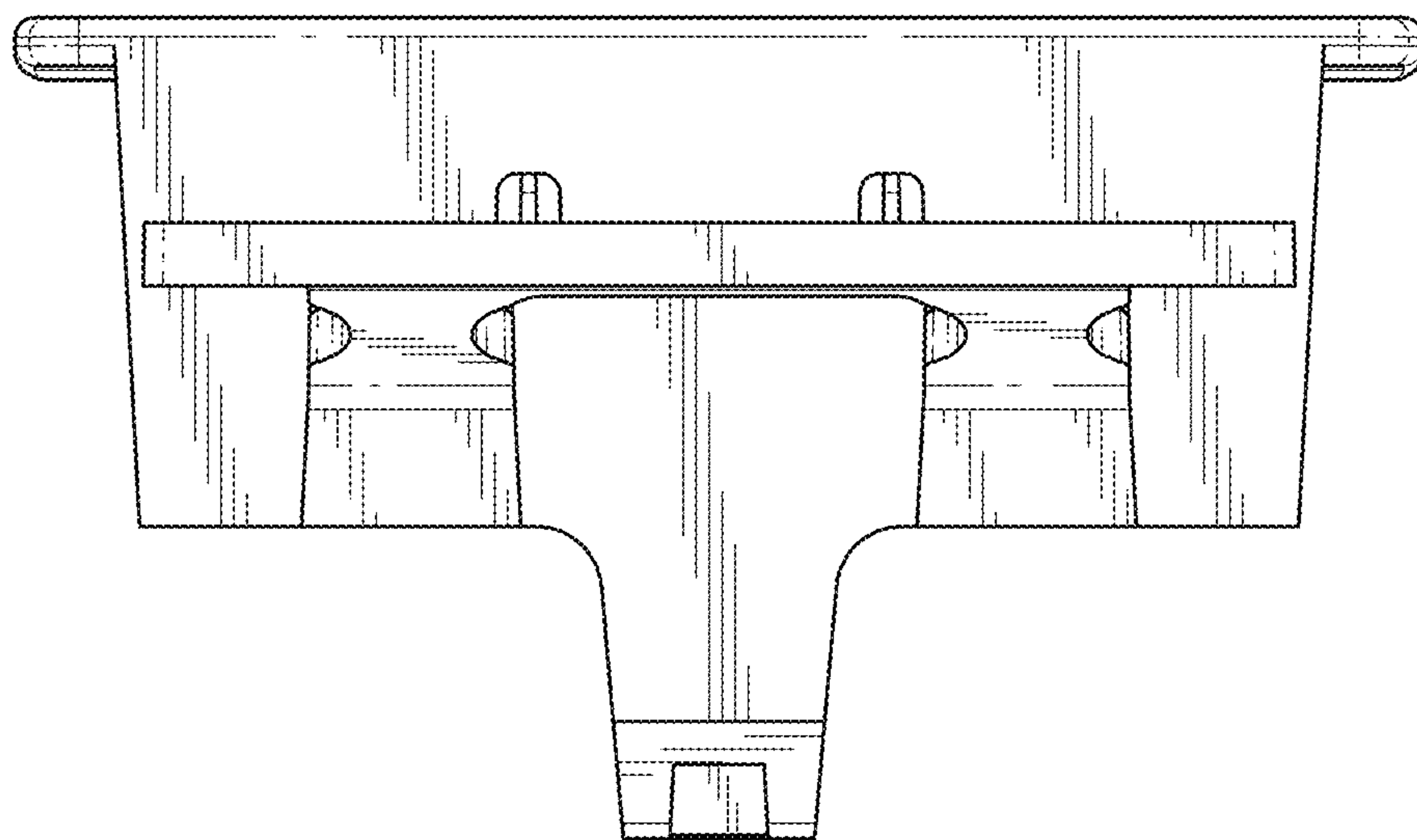


FIG. 5

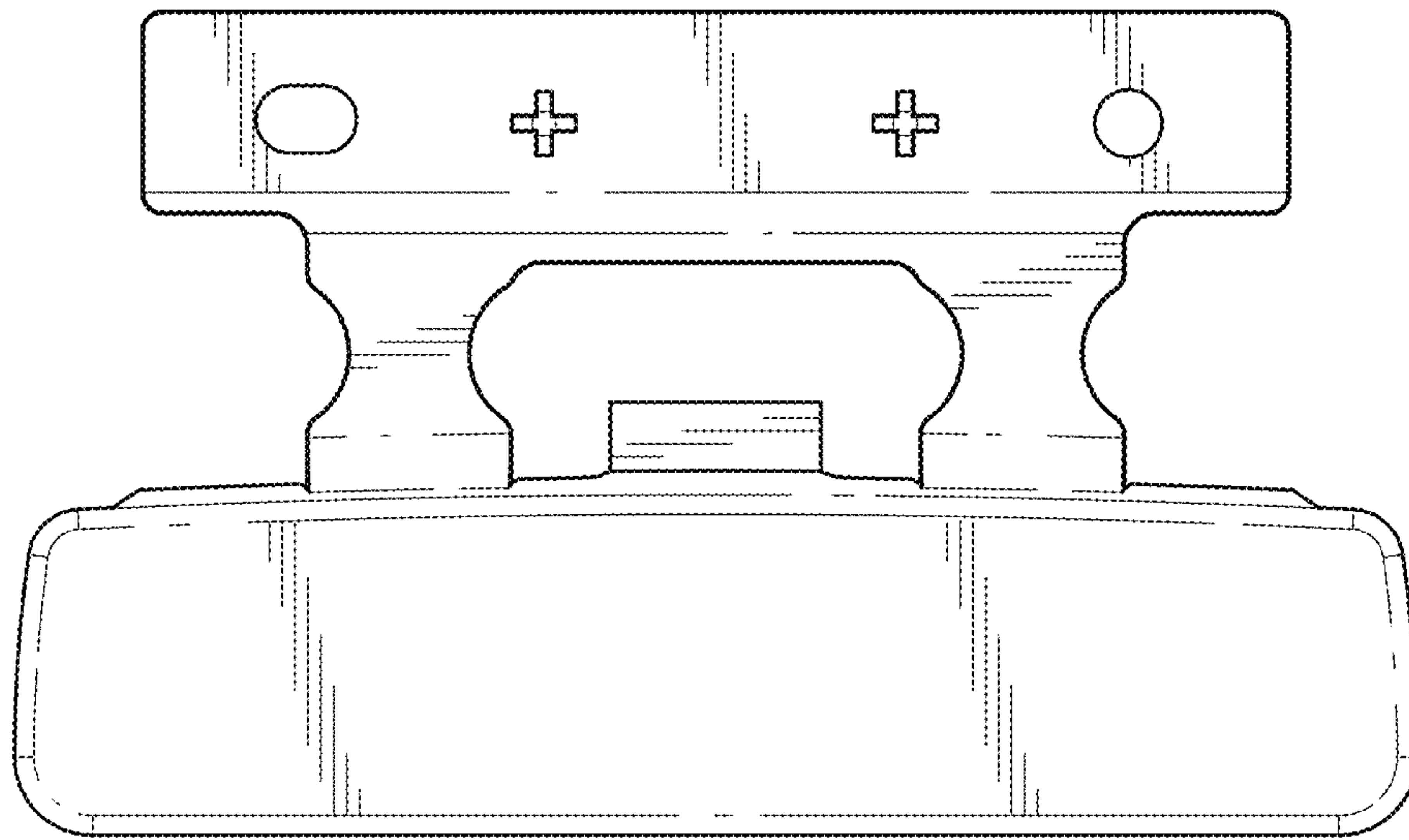


FIG. 6

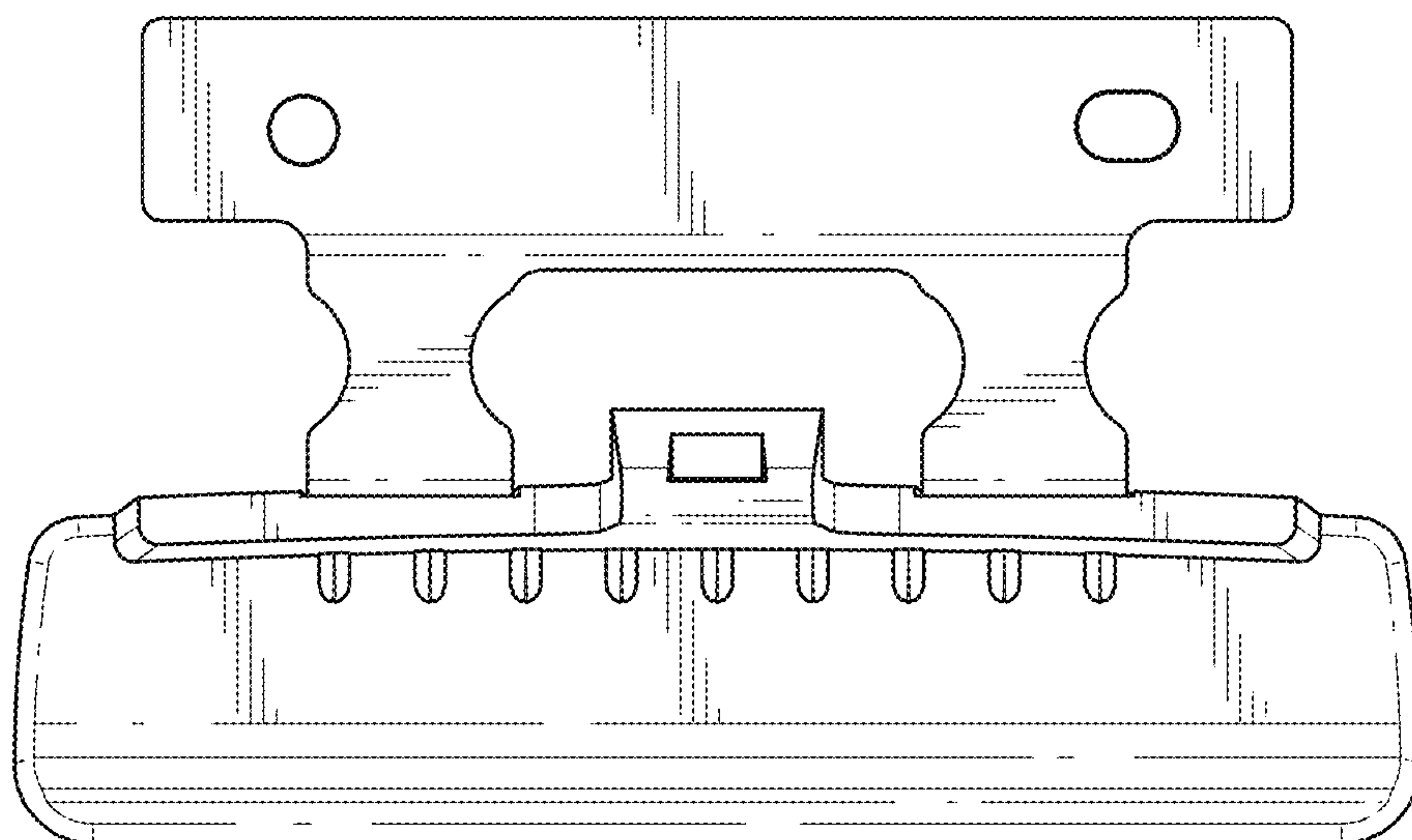


FIG. 7

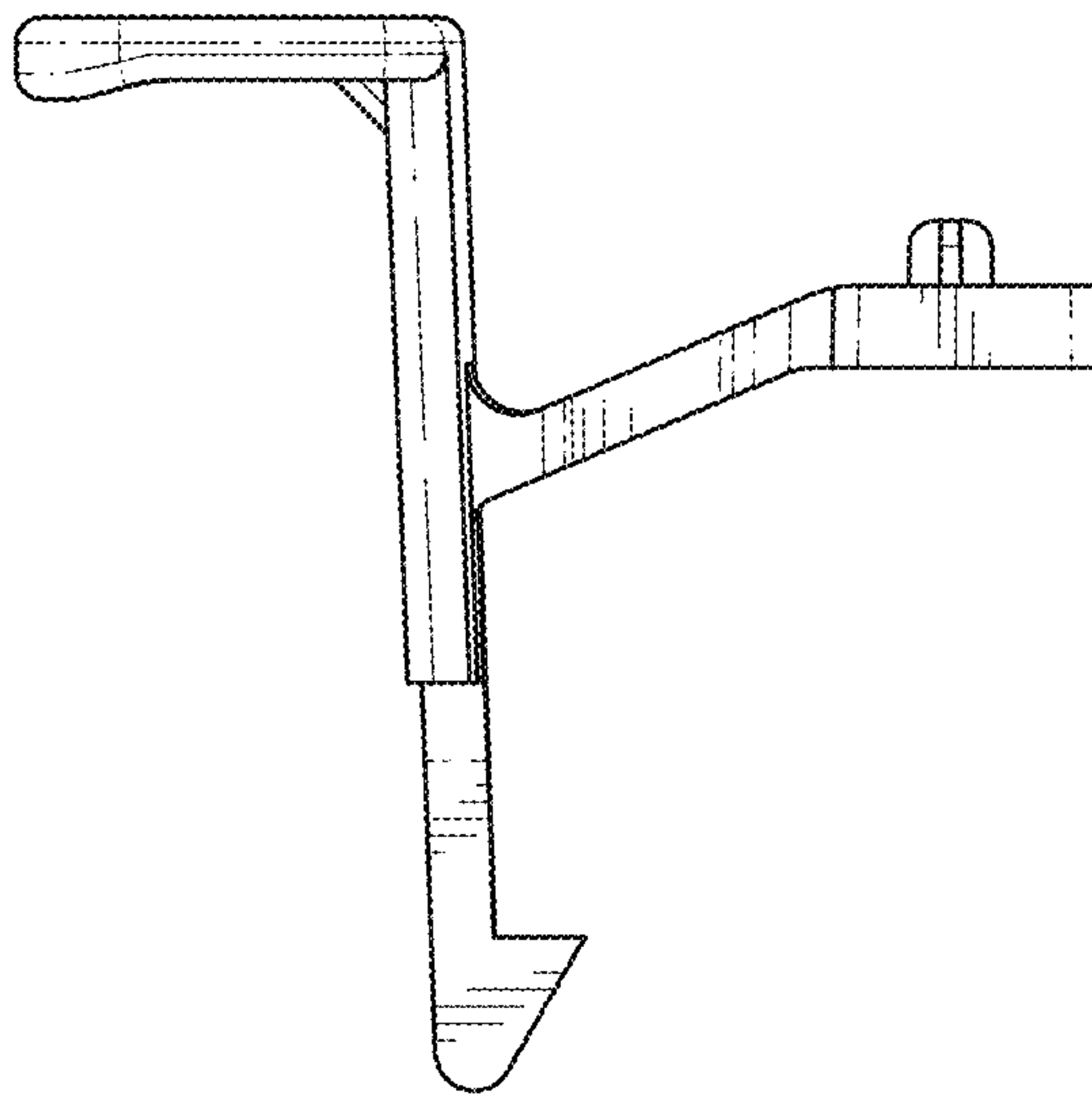


FIG. 8

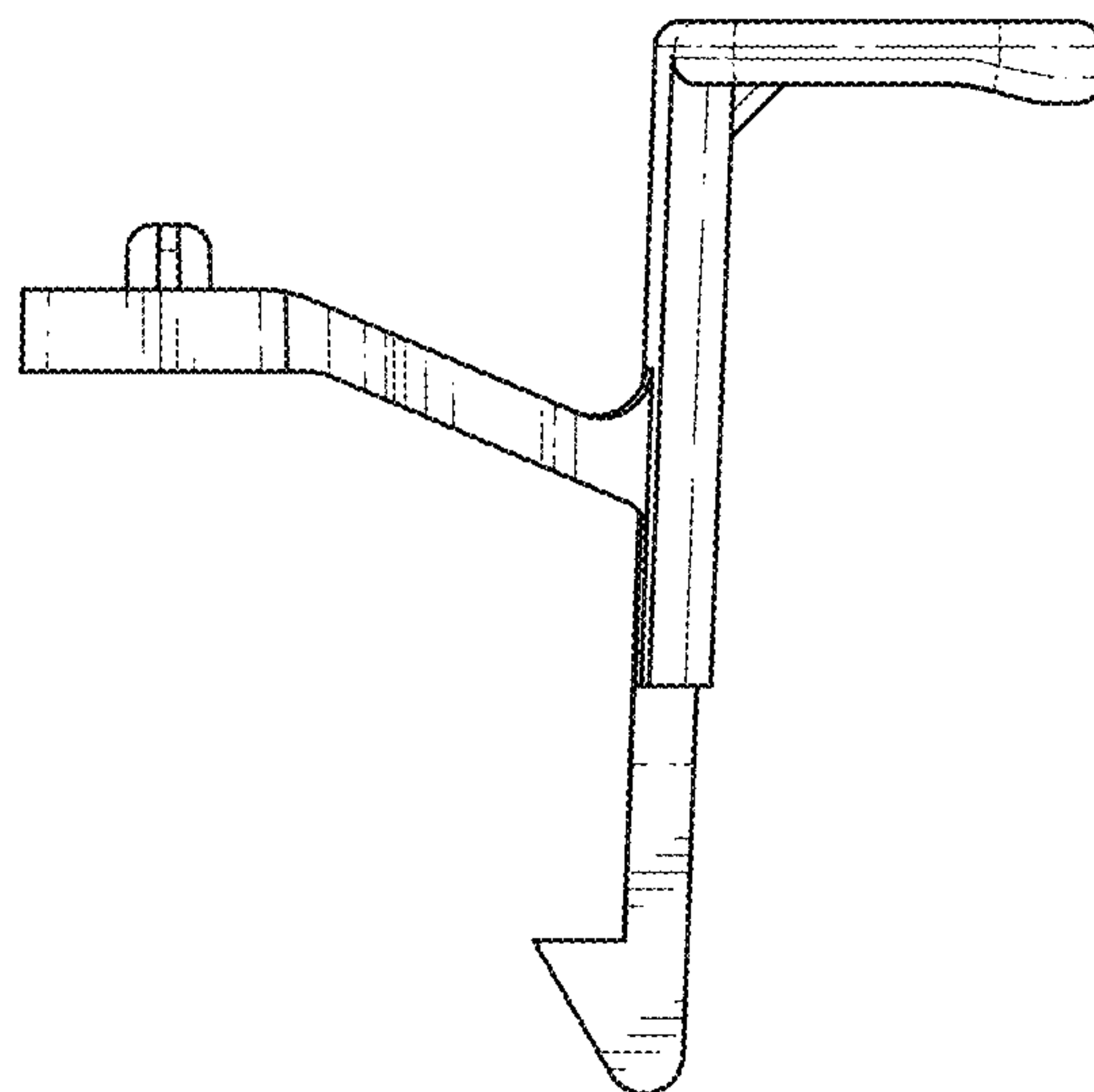


FIG. 9